



US00D573840S

(12) **United States Design Patent**
Kramer

(10) **Patent No.:** **US D573,840 S**
(45) **Date of Patent:** **** *Jul. 29, 2008**

- (54) **TRAVEL MUG**
- (75) Inventor: **Jeffrey A. Kramer**, Miami Beach, FL (US)
- (73) Assignee: **Bullet Line, Inc.**, Miami, FL (US)
- (*) Notice: This patent is subject to a terminal disclaimer.
- (**) Term: **14 Years**
- (21) Appl. No.: **29/258,430**
- (22) Filed: **Apr. 21, 2006**
- (51) **LOC (8) Cl.** **07-01**
- (52) **U.S. Cl.** **D7/523; D7/533**
- (58) **Field of Classification Search** D7/509, D7/510, 511, 523, 532, 533, 536; 220/737, 220/710.5, 714, 711, 713, 719, 732; 215/396, 215/DIG. 8; 294/31.2; 229/400; 206/519
See application file for complete search history.

- D320,559 S 10/1991 Olson
- D321,455 S 11/1991 Duquaine, Jr. et al.
- D323,116 S 1/1992 Dart et al.
- D331,684 S 12/1992 Trombly
- D334,869 S 4/1993 Mills
- D346,933 S 5/1994 Denny et al.
- D351,314 S 10/1994 Sokolski et al.
- D355,846 S 2/1995 Denney et al.
- D366,810 S * 2/1996 Yeh D7/536
- D373,051 S 8/1996 Kramer et al.
- D373,927 S 9/1996 Kramer et al.
- D375,656 S 11/1996 Wilson
- D380,956 S 7/1997 Collins
- D387,619 S 12/1997 Gross et al.
- D387,620 S 12/1997 Trombly
- D397,905 S 9/1998 Hsu
- D398,187 S 9/1998 Parker
- D405,317 S 2/1999 Ehrlich
- D410,174 S 5/1999 Sheu
- D411,713 S 6/1999 Bridges
- D417,589 S 12/1999 Parker
- D417,819 S 12/1999 Kelly-Pollet
- D424,878 S 5/2000 Freed

(Continued)

(56) **References Cited**

U.S. PATENT DOCUMENTS

- 37,298 A 1/1905 Maddock
- D67,869 S * 7/1925 Boswell 37/523
- 2,028,566 A 1/1936 Seipel et al.
- D101,958 S 11/1936 Kogan
- D114,568 S * 5/1939 Viatour D7/523
- 3,090,537 A 5/1963 Pasciak
- D199,336 S 10/1964 Wanderer
- 3,596,795 A 8/1971 Ercoli
- D223,630 S 5/1972 Kock
- 3,701,558 A 10/1972 Baker
- D234,341 S 2/1975 Schick
- D238,330 S 1/1976 Ziskin
- D240,037 S 5/1976 Kemp
- D247,839 S 5/1978 Ashton
- D255,858 S 7/1980 Ashton
- D263,916 S 4/1982 Reece
- 4,548,331 A 10/1985 Montgomery
- D285,416 S 9/1986 Dart et al.
- D293,293 S 12/1987 Isles
- D312,785 S 12/1990 Tucker

Primary Examiner—M. N. Pandozzi
(74) *Attorney, Agent, or Firm*—Malloy & Malloy, P.A.

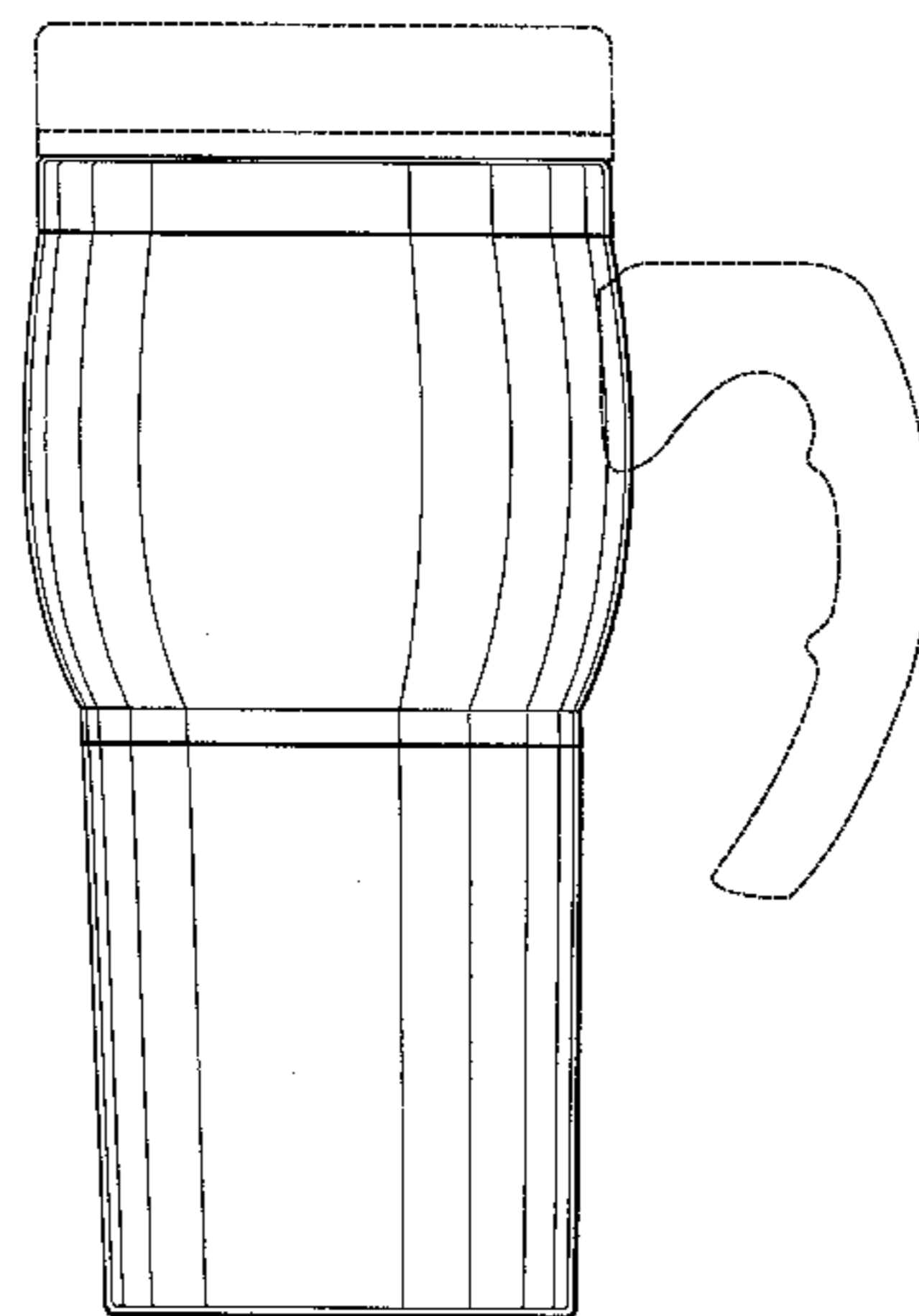
(57) **CLAIM**

The ornamental design for travel mug, as shown and described.

DESCRIPTION

FIG. 1 is a perspective view of a travel mug showing my new design;
FIG. 2 is a front view thereof;
FIG. 3 is a left side view thereof;
FIG. 4 is a top view thereof;
FIG. 5 is a right side view thereof;
FIG. 6 is a bottom view thereof; and,
FIG. 7 is a rear view thereof.
The broken lines in the drawings are for illustrative purposes only and form no part of the claimed design.

1 Claim, 6 Drawing Sheets



US D573,840 S

Page 2

U.S. PATENT DOCUMENTS

D426,109 S	6/2000	Freed	
D427,853 S *	7/2000	Kohlhase	D7/510
D428,769 S	8/2000	Mensch et al.	
6,102,244 A *	8/2000	Kuwano et al.	220/713
D431,159 S	9/2000	Otake	
D433,277 S	11/2000	Copeland	
D433,599 S *	11/2000	Kristiansen et al.	D7/523
D433,877 S *	11/2000	Bickert et al.	D7/536
D434,275 S	11/2000	Ginuntoli et al.	
D437,185 S	2/2001	Freed	
D439,473 S	3/2001	Lin	
D445,640 S	7/2001	Cruz et al.	
6,269,949 B1	8/2001	Gottlieb	
D458,509 S	6/2002	Kramer et al.	
D458,807 S	6/2002	Trazzi	
D460,324 S *	7/2002	Norris et al.	D7/533
D462,575 S	9/2002	Gluck	
D462,578 S	9/2002	Janky	
D462,871 S	9/2002	Kramer et al.	
D462,875 S	9/2002	Norris et al.	
D466,371 S	12/2002	Parker	
D468,588 S	1/2003	Norris et al.	
D469,658 S *	2/2003	Norris et al.	D7/523
D472,101 S	3/2003	Janky	
D474,077 S *	5/2003	Hatsumoto	D7/608
D475,243 S	6/2003	Trazzi	
D479,669 S	9/2003	Norris et al.	
D479,670 S	9/2003	Webb	
D483,226 S *	12/2003	Belton et al.	D7/533
D483,615 S *	12/2003	Norris et al.	D7/533
D489,574 S *	5/2004	Copeland	D7/536
D491,021 S *	6/2004	Webb	D7/531
D493,068 S *	7/2004	Slater et al.	D7/510
D493,333 S *	7/2004	Bydalek	D7/523
D501,758 S *	2/2005	Lebedev	D7/536
D502,633 S *	3/2005	Liu	D7/523
D503,072 S	3/2005	Norris et al.	
D507,458 S	7/2005	Allen et al.	
D510,236 S	10/2005	Norris et al.	
D511,653 S	11/2005	Oas	
D512,269 S	12/2005	Trombly	
D523,340 S *	6/2006	Westphal	D9/500
D525,082 S *	7/2006	Copeland	D7/529

* cited by examiner

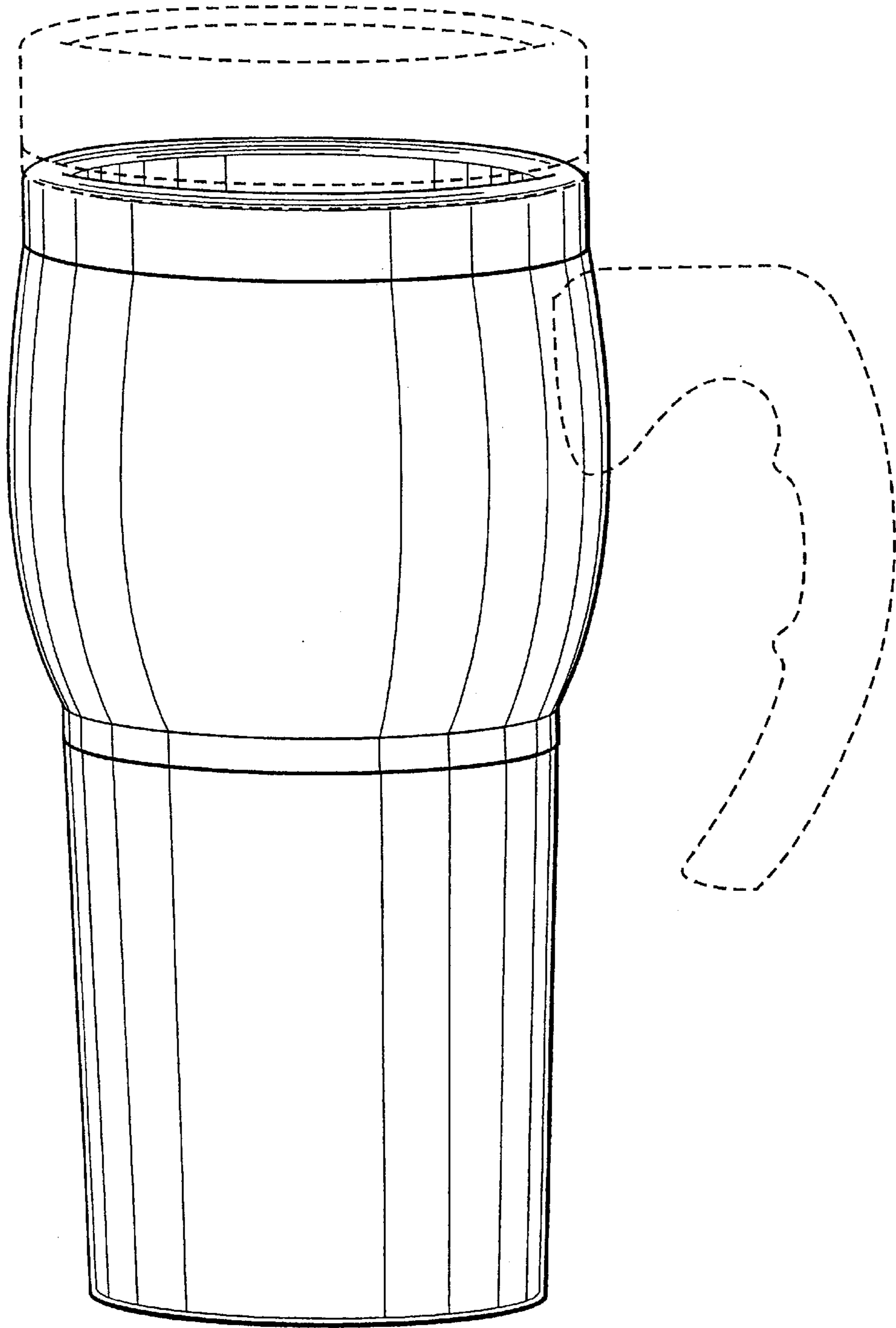


FIG. 1

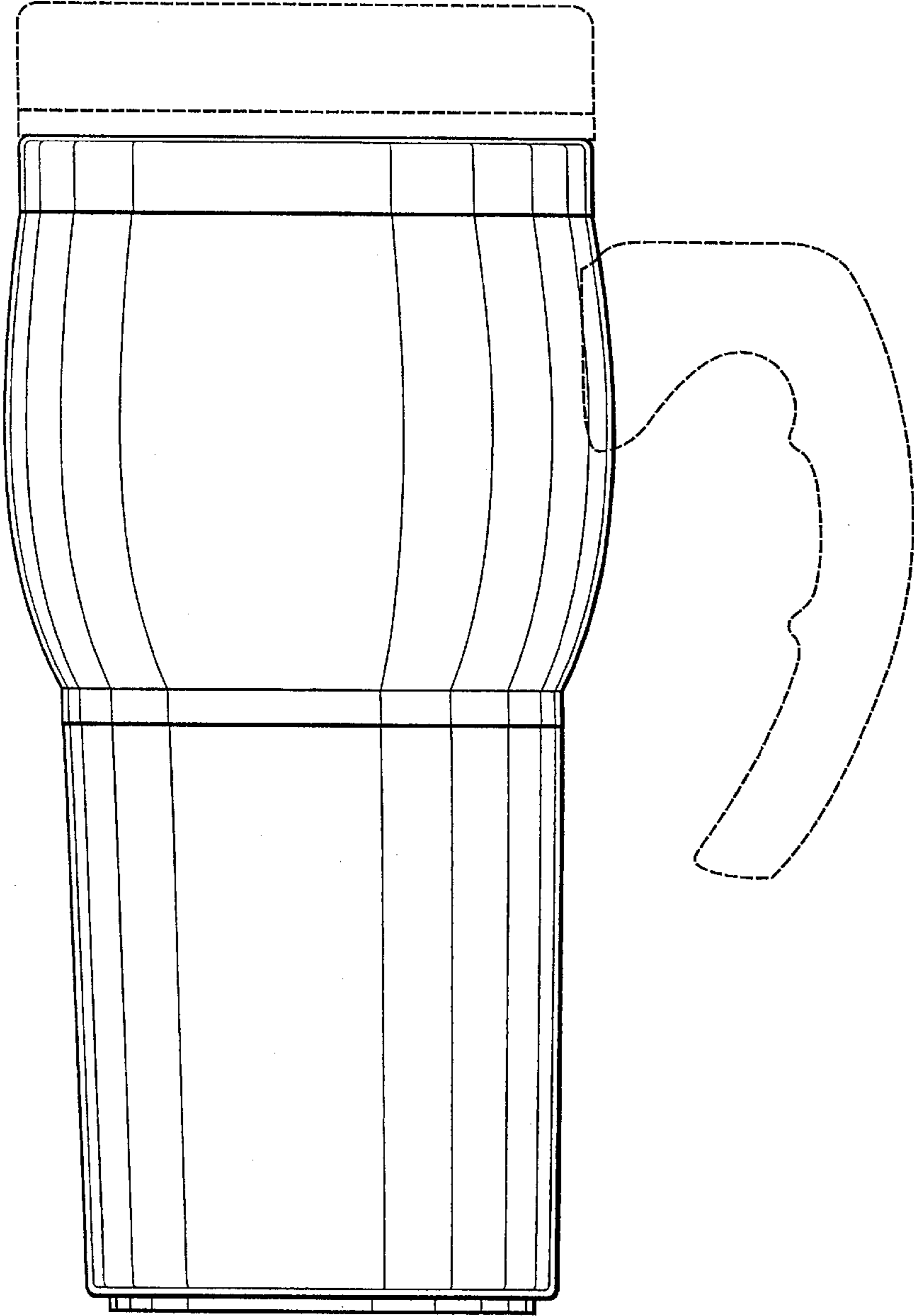


FIG. 2

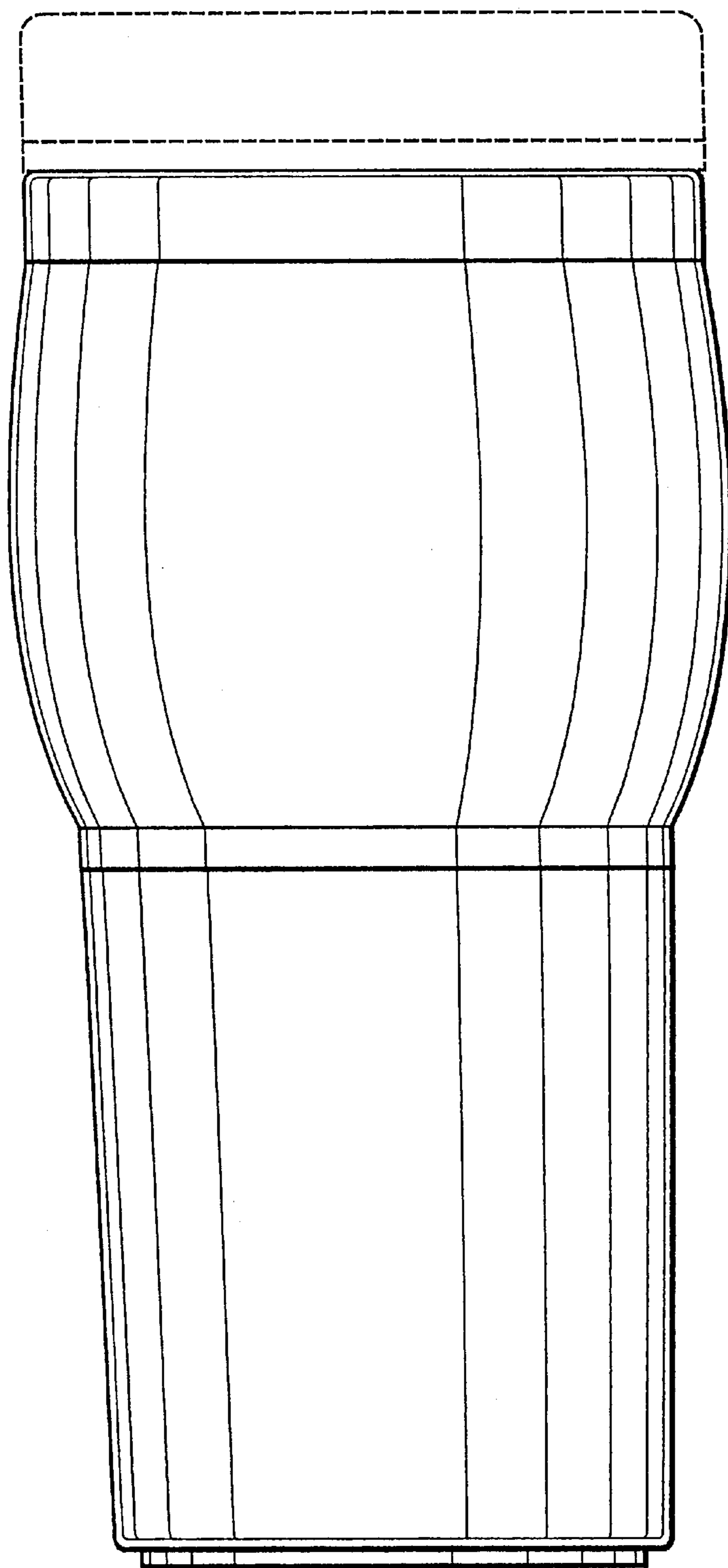


FIG. 3

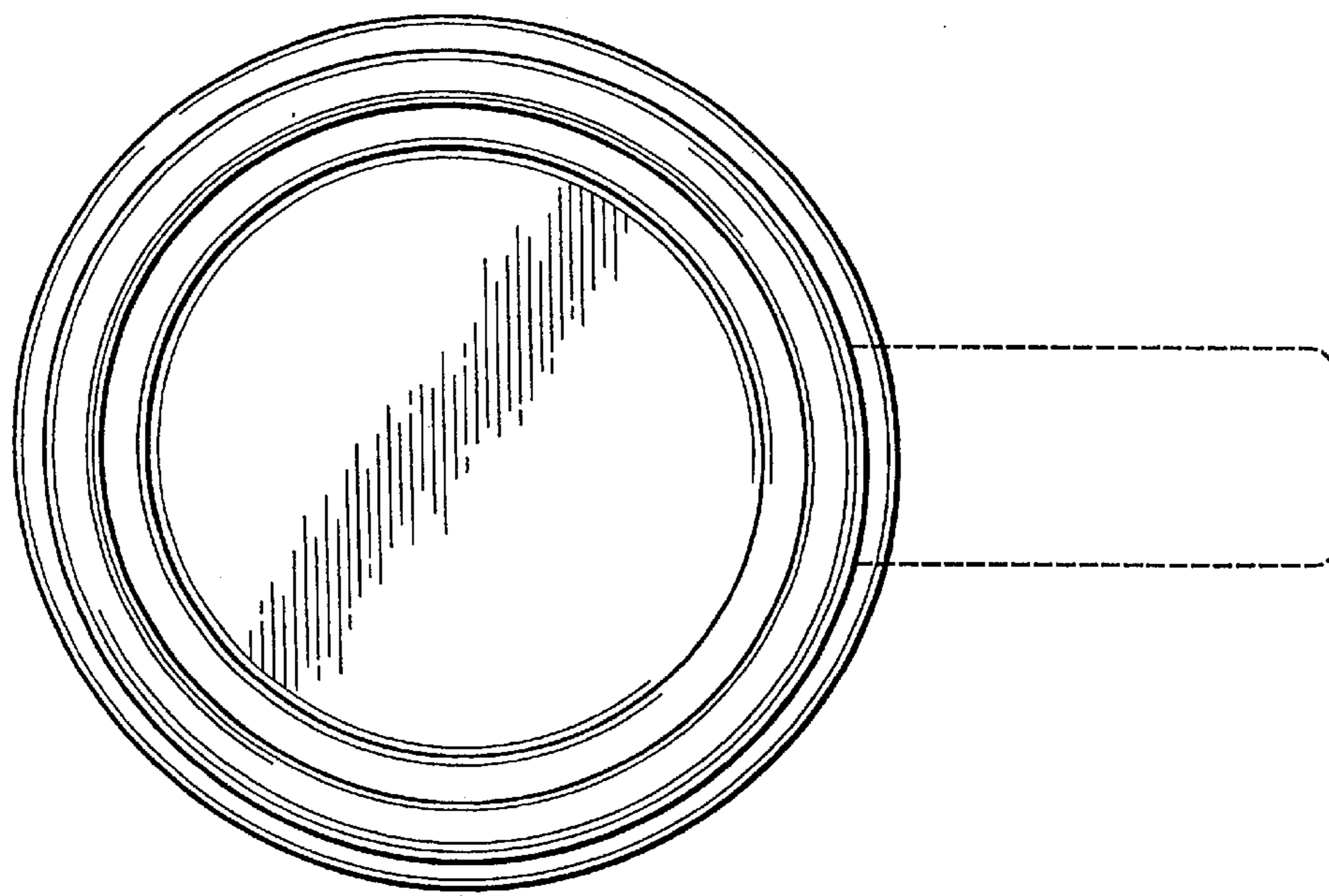


FIG. 4

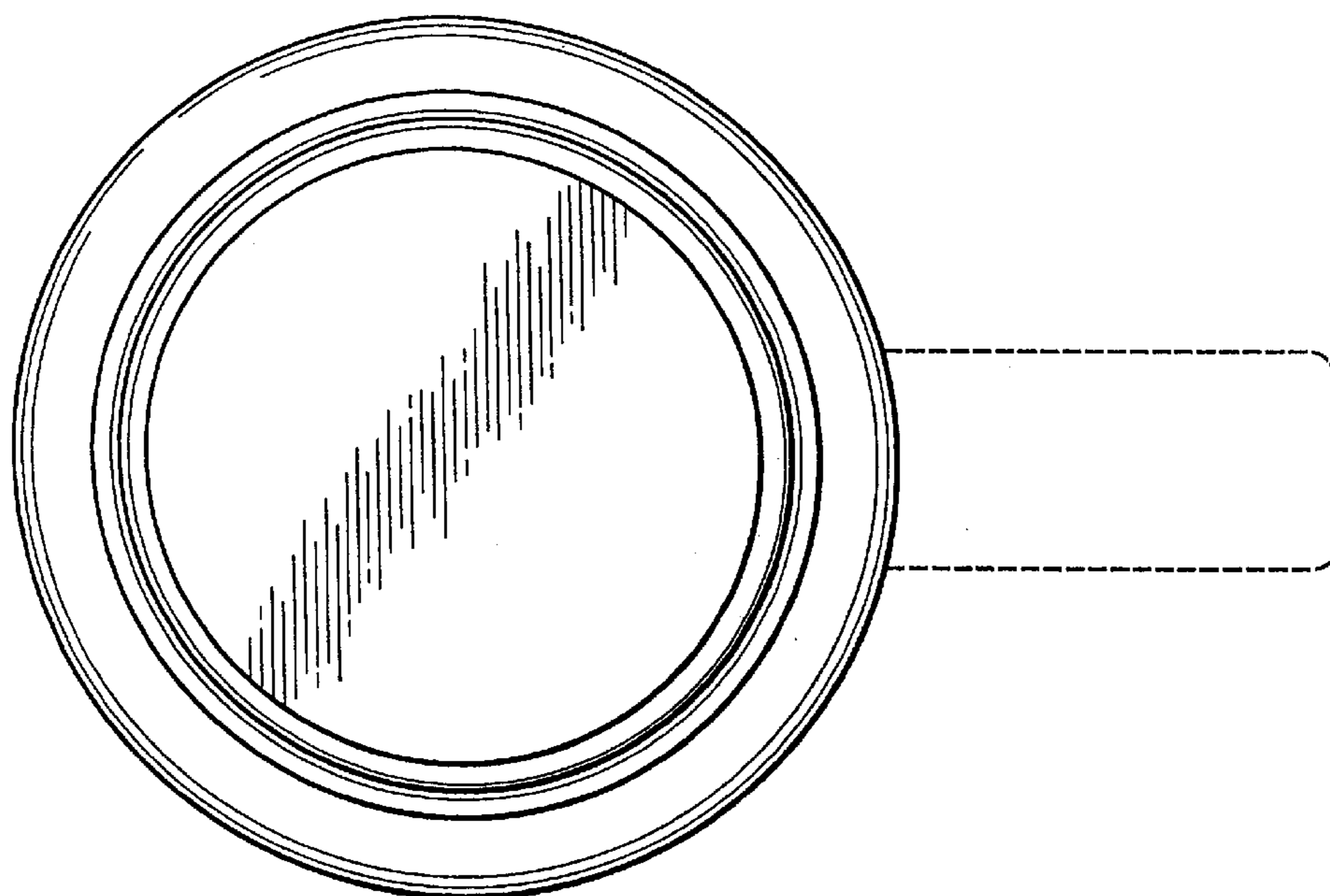


FIG. 6

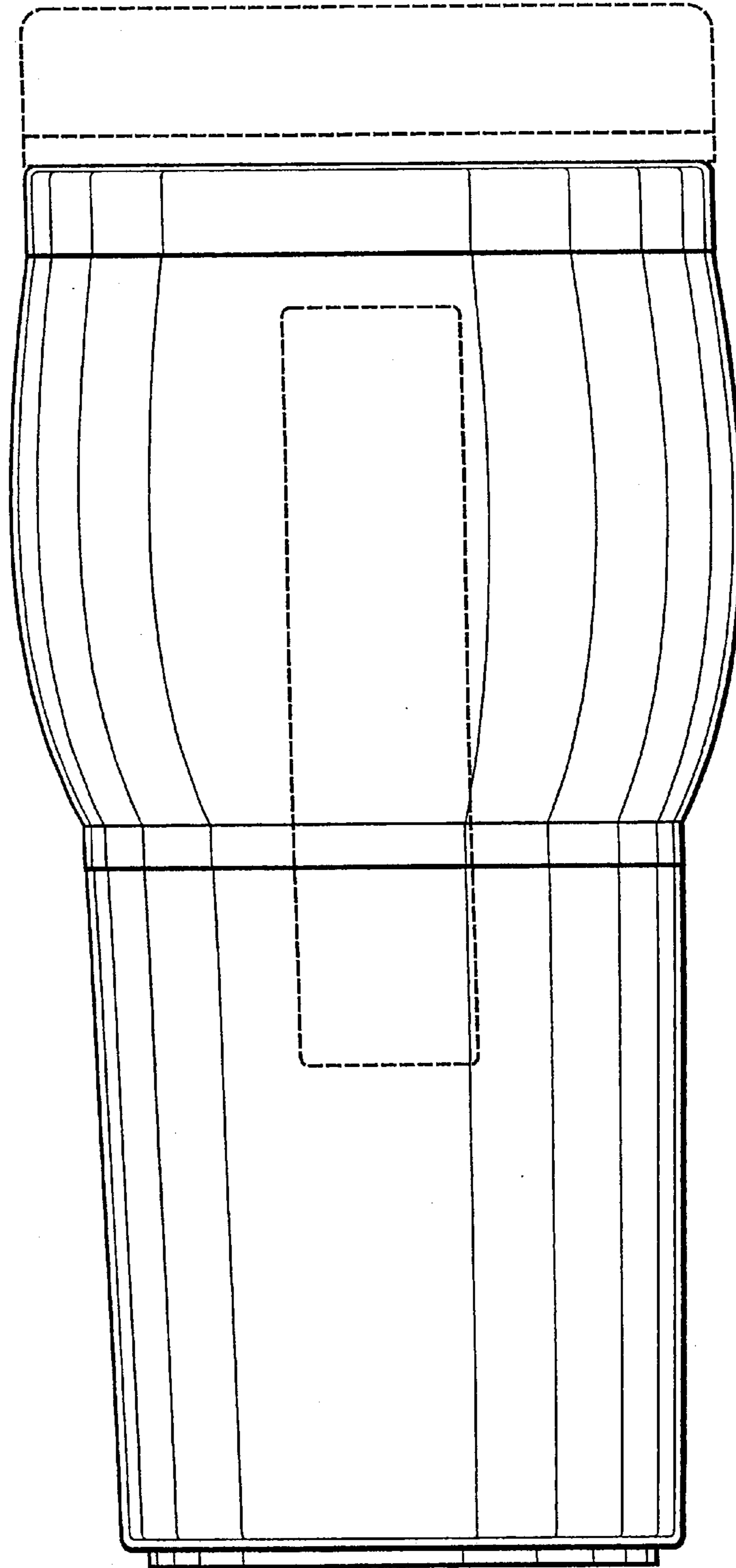


FIG. 5

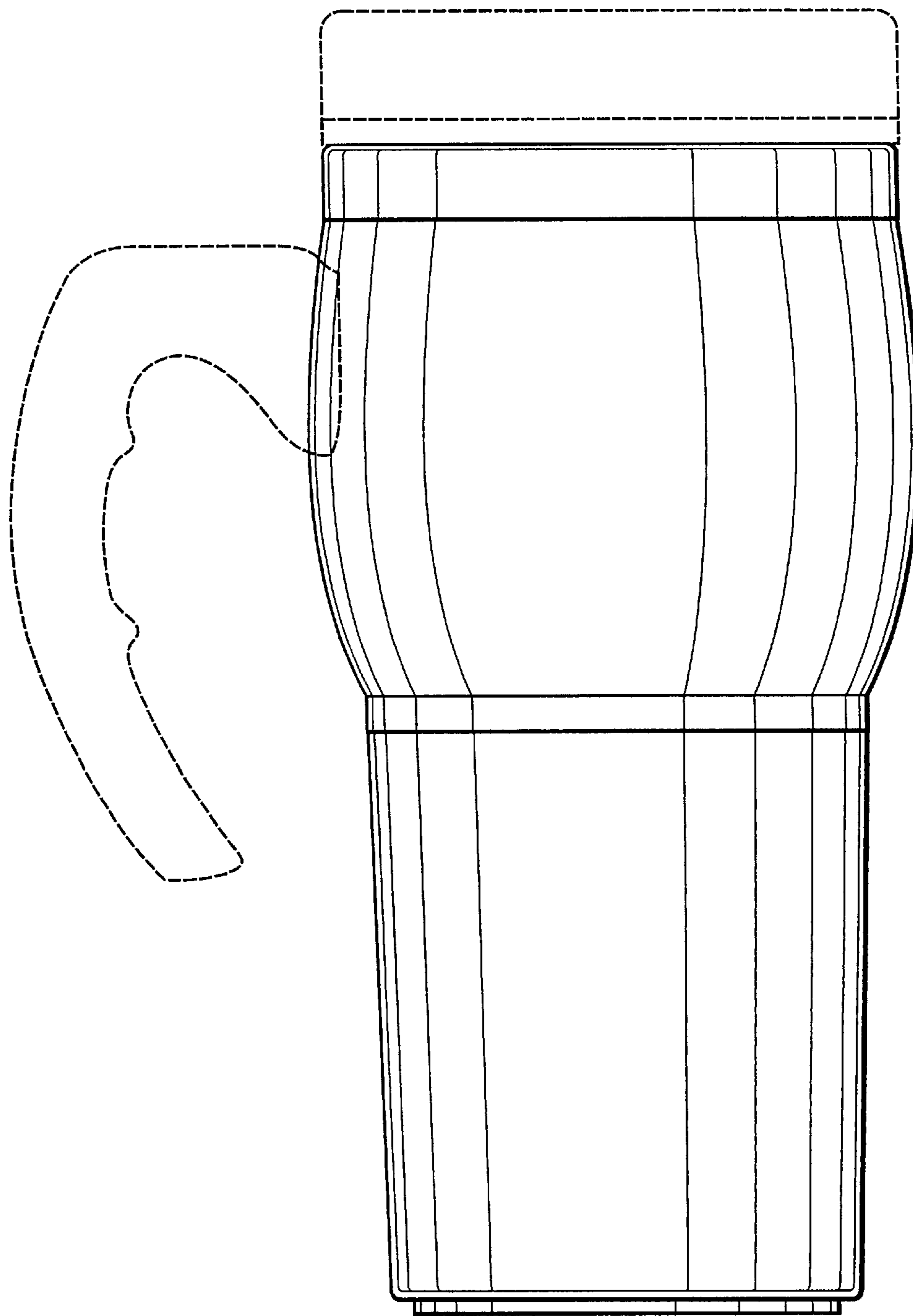


FIG. 7