



US00D573838S

(12) **United States Design Patent**  
**Jones**

(10) **Patent No.:** **US D573,838 S**  
(45) **Date of Patent:** **\*\* Jul. 29, 2008**

(54) **POULTRY COOKER**

(76) Inventor: **Peter Jones**, 4761 Highway 83 South,  
Monticello, GA (US) 31064

(\*\*) Term: **14 Years**

(21) Appl. No.: **29/301,019**

(22) Filed: **Feb. 6, 2008**

(51) **LOC (8) Cl.** ..... **07-02**

(52) **U.S. Cl.** ..... **D7/409**

(58) **Field of Classification Search** ..... D7/323,  
D7/354-361, 366, 387-388, 403, 409; D19/85;  
99/339, 345-347, 419, 421 A, 421 HH, 421 H,  
99/421 R, 421-427, 449-450; 211/85.4,  
211/181; 220/485, 491-494, 573.1, 912;  
426/132, 523

See application file for complete search history.

(56) **References Cited**

**U.S. PATENT DOCUMENTS**

D217,789 S *	6/1970	Oddo	.....	D19/85
D316,007 S *	4/1991	Wagner	.....	D7/366
D369,513 S *	5/1996	Hirt et al.	.....	D7/403
5,893,320 A *	4/1999	Demaree	.....	99/419
6,119,585 A *	9/2000	Guidry	.....	99/345
6,192,792 B1 *	2/2001	Gremillion	.....	99/426
6,216,586 B1 *	4/2001	Burgin	.....	99/339
6,265,004 B1 *	7/2001	Cagle	.....	426/132
6,349,632 B1 *	2/2002	Beck, Jr.	.....	99/345

6,467,399 B1 *	10/2002	Boutte	.....	99/347
6,503,551 B1 *	1/2003	Hester	.....	426/523
D547,603 S *	7/2007	Passman	.....	D7/388
D564,286 S *	3/2008	Zemel	.....	D7/354

\* cited by examiner

*Primary Examiner*—Caron D. Veynar

*Assistant Examiner*—Ricky Pham

(74) *Attorney, Agent, or Firm*—Kilpatrick Stockton LLP

(57) **CLAIM**

The ornamental design for a poultry cooker, as shown and described.

**DESCRIPTION**

FIG. 1 shows a perspective view of a poultry cooker according to the present invention.

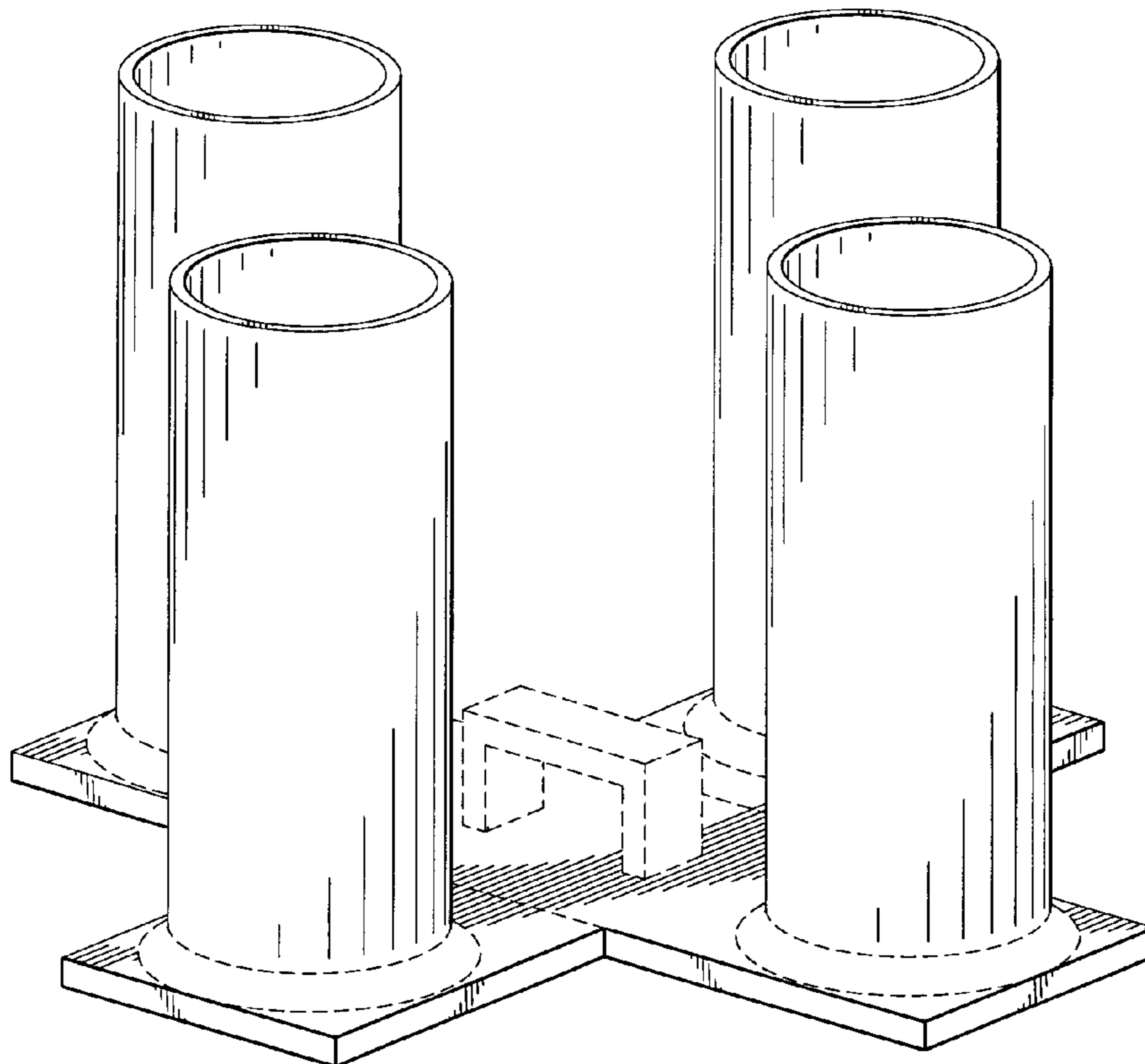
FIG. 2 shows a front view of the poultry cooker of FIG. 1, the rear view being a mirror image of the front view.

FIG. 3 shows a right side view of the poultry cooker of FIG. 1, the left side view being a mirror image of the right side view; and,

FIG. 4 shows a top view of the poultry cooker of FIG. 1.

Portions or features of the poultry cooker not shown in the drawings form no part of the claimed design. Portions or features of the poultry cooker shown in broken lines form no part of the claimed design.

**1 Claim, 4 Drawing Sheets**



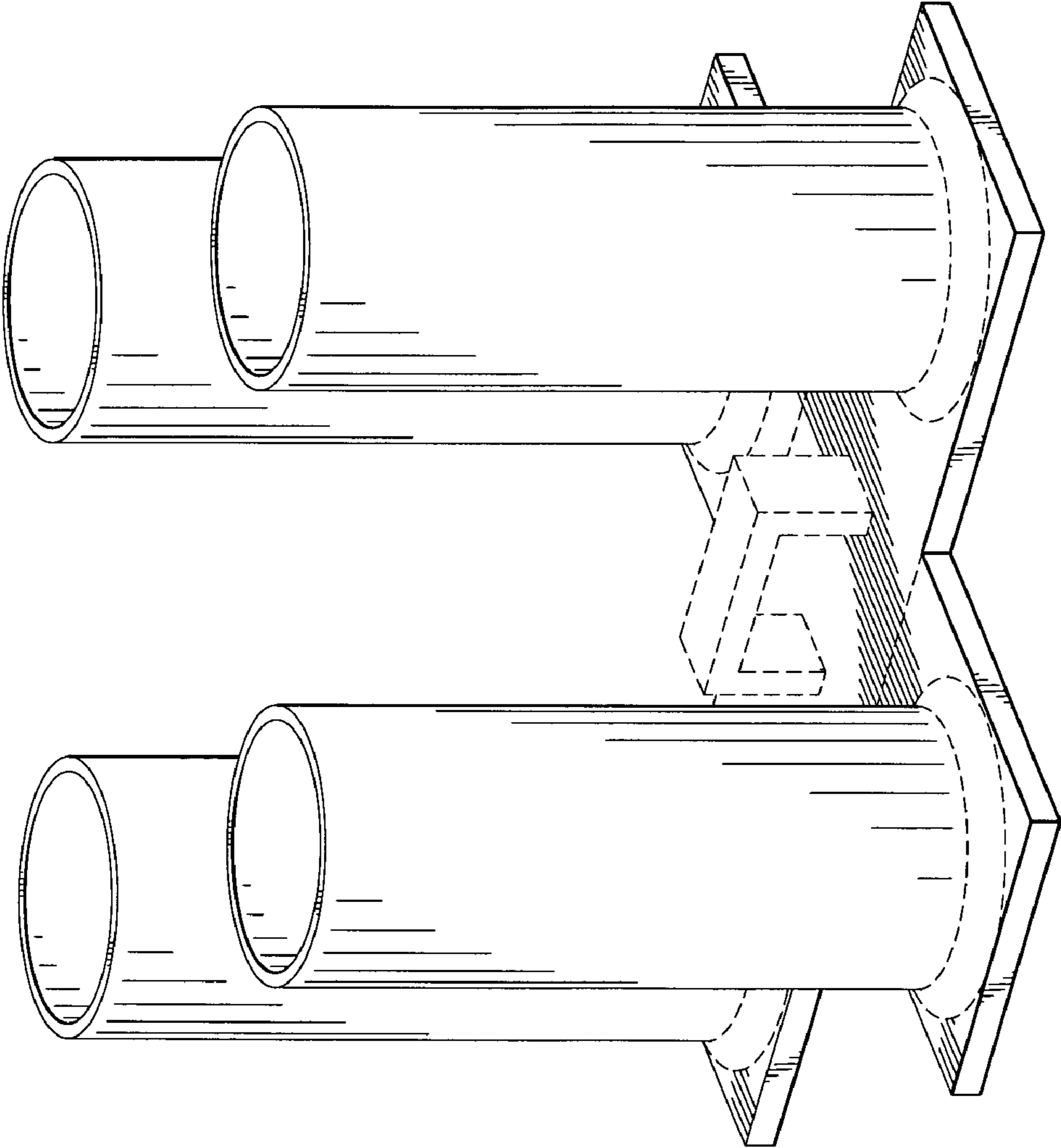


FIG. 1

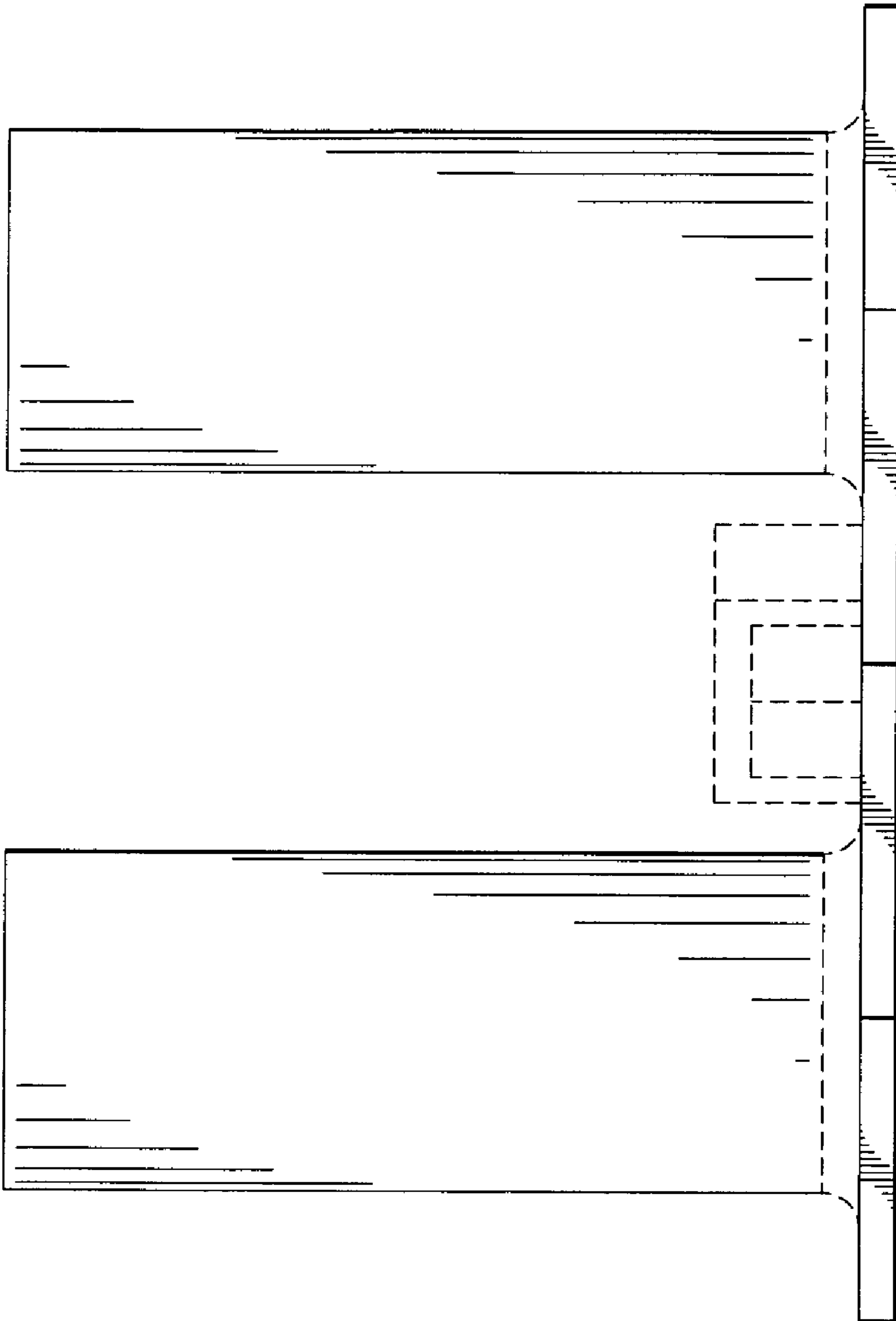


FIG. 2

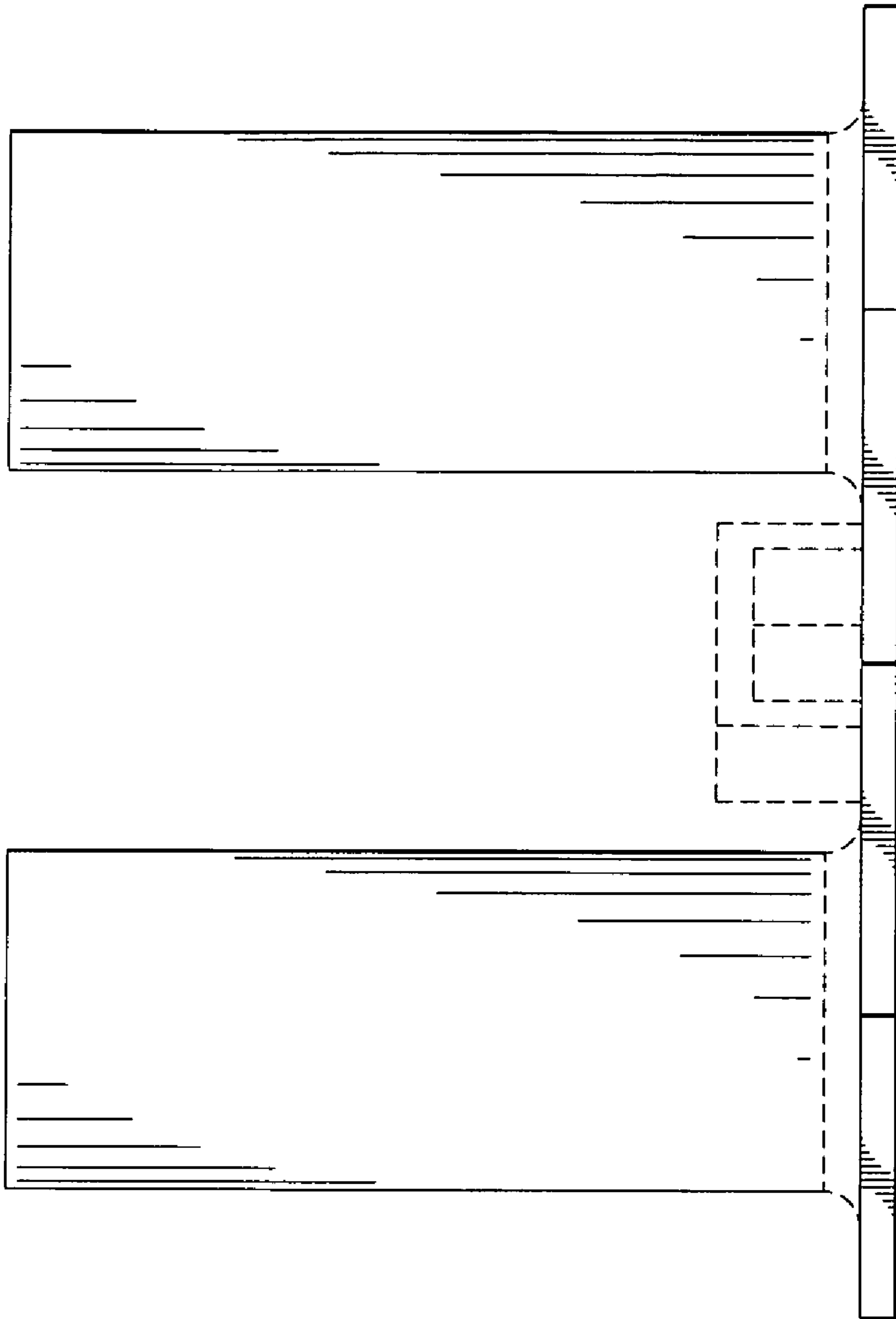


FIG. 3

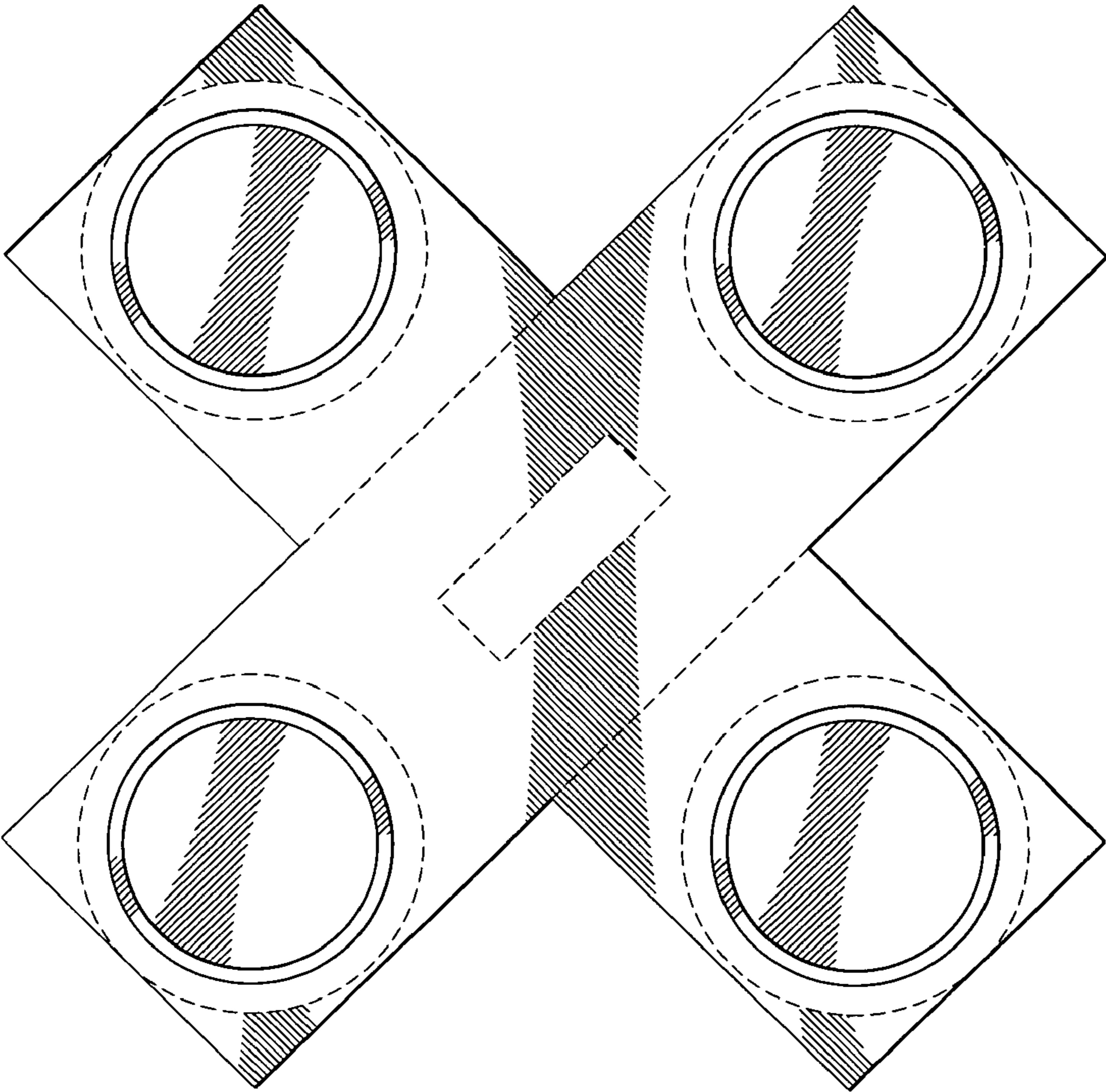


FIG. 4