



US00D573837S

(12) **United States Design Patent**  
**Drewery et al.**

(10) **Patent No.:** **US D573,837 S**  
(45) **Date of Patent:** **\*\* Jul. 29, 2008**

(54) **DIAMOND PLATE PIT COVER**

(76) Inventors: **Carl Davis Drewery**, 2559 Gardi St.,  
Duarte, CA (US) 91010; **Dontimaz**  
**Jackson**, 2559 Gardi St., Duarte, CA  
(US) 91010

(\*\*) Term: **14 Years**

(21) Appl. No.: **29/282,789**

(22) Filed: **Jul. 30, 2007**

(51) **LOC (8) Cl.** ..... **07-02**

(52) **U.S. Cl.** ..... **D7/402**

(58) **Field of Classification Search** ..... D7/332-337,  
D7/402-405; 99/425, 447, 450; 126/25 R,  
126/29-30, 25 A, 25 AA, 9 R, 9 B, 8, 38,  
126/41 R, 40, 50, 506, 144, 211, 304 R, 305 R;  
248/188.7, 165, 121, 431

See application file for complete search history.

(56) **References Cited**

**U.S. PATENT DOCUMENTS**

- D339,714 S \* 9/1993 Leblanc et al. .... D7/334
- D380,932 S \* 7/1997 Duray ..... D7/334
- D426,741 S \* 6/2000 Pai ..... D7/334
- D460,656 S \* 7/2002 Caulder ..... D7/332

- D471,755 S \* 3/2003 Wilgus et al. .... D7/334
- D476,188 S \* 6/2003 Wood ..... D7/334
- D480,596 S \* 10/2003 Dellinger et al. .... D7/335
- D551,490 S \* 9/2007 Sacherman ..... D7/335
- D560,420 S \* 1/2008 Roth ..... D7/334

\* cited by examiner

*Primary Examiner*—Ruth McInroy

(57) **CLAIM**

We claim the ornamental design for a diamond plate pit cover,  
as shown and described.

**DESCRIPTION**

FIG. 1 is a perspective view of a diamond plate pit cover  
showing our new design;

FIG. 2 is a front view thereof;

FIG. 3 is a back view thereof;

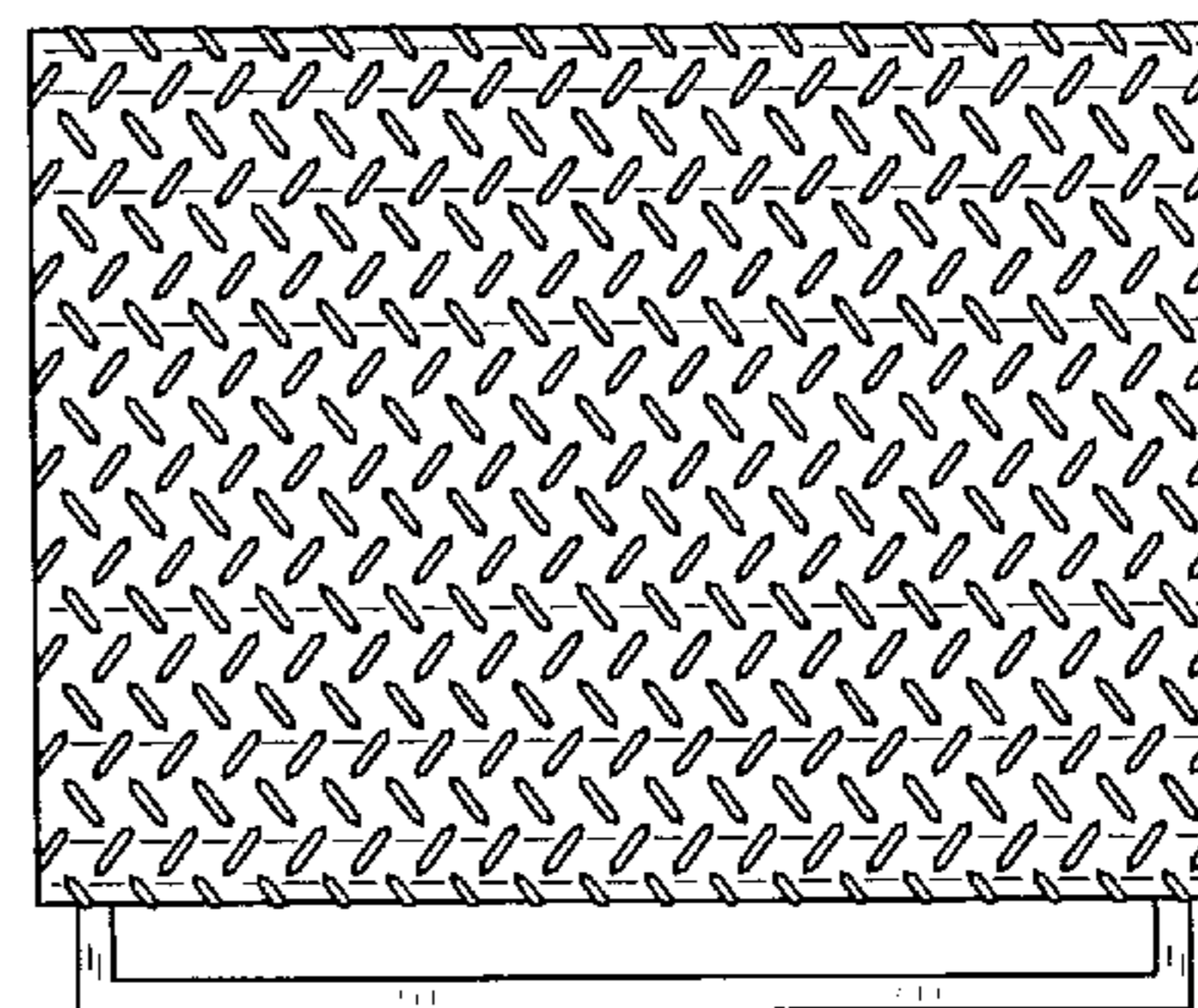
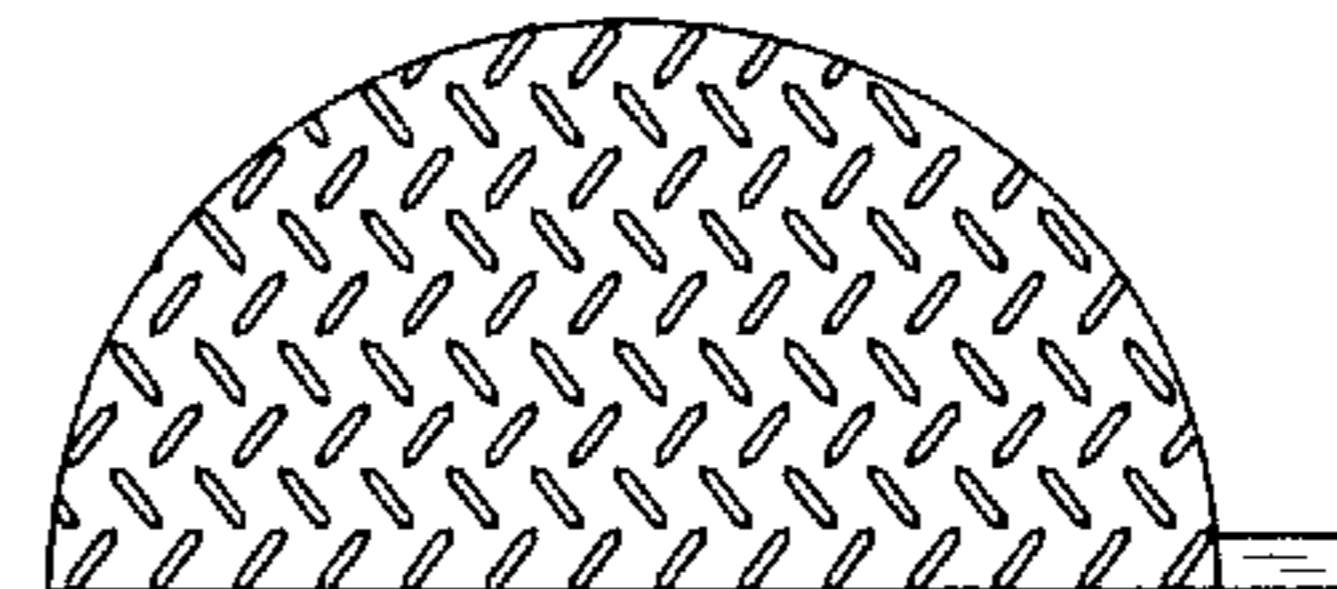
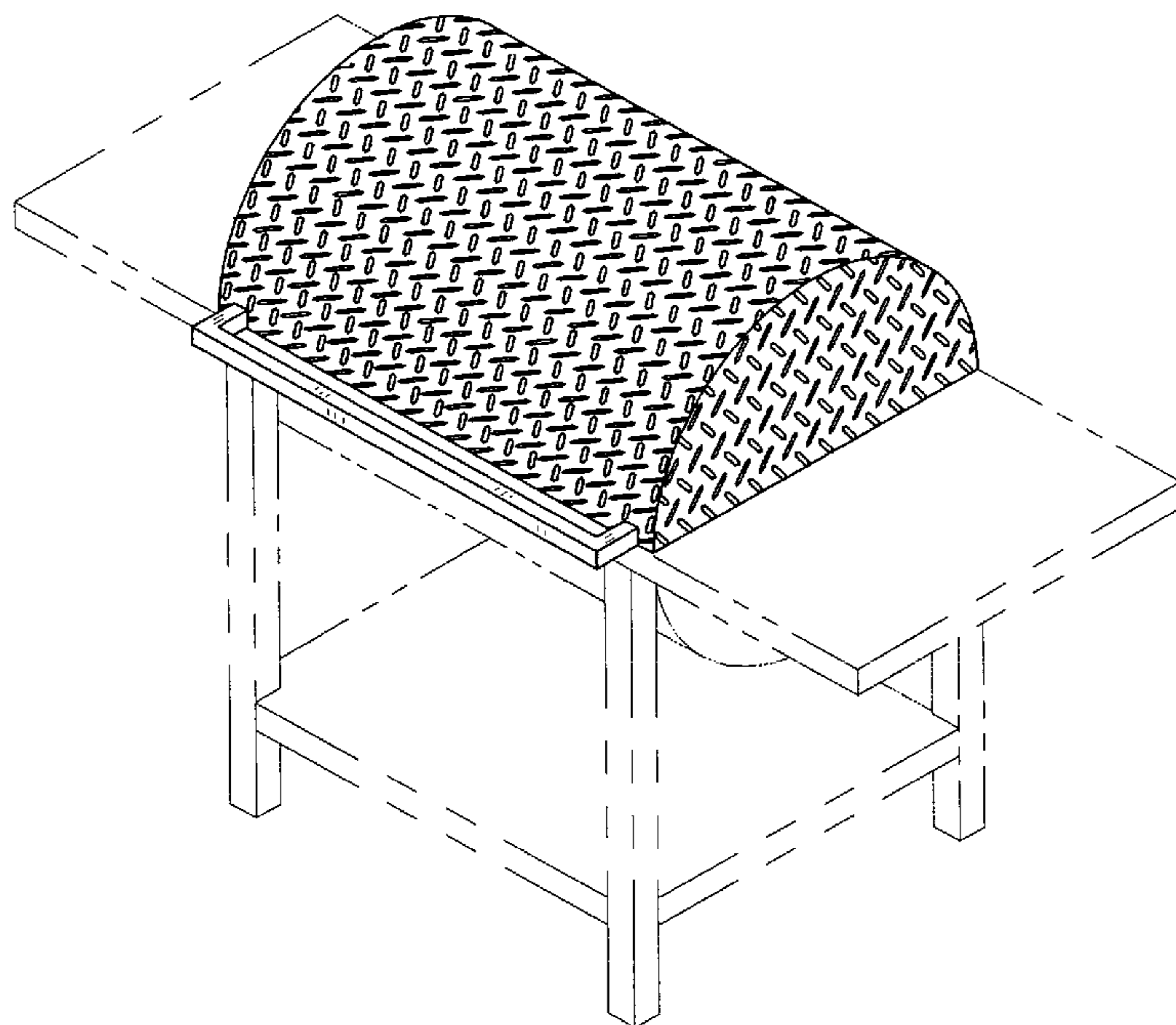
FIG. 4 is a side view thereof;

FIG. 5 is a top view thereof; and,

FIG. 6 is a bottom view thereof.

The broken line portion of FIG. 1 is for illustrative purposes  
only and forms no part of the claimed design.

**1 Claim, 3 Drawing Sheets**



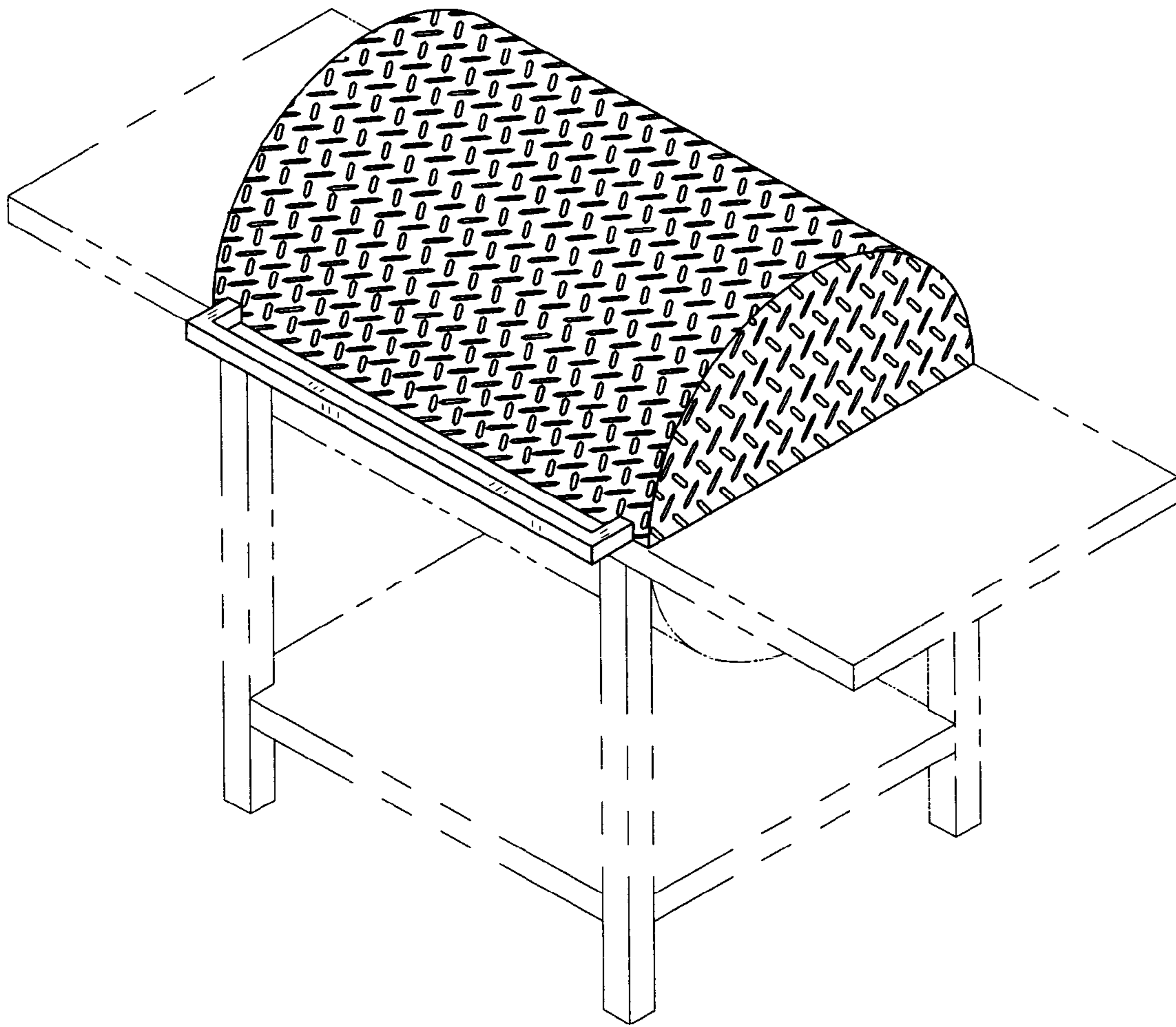
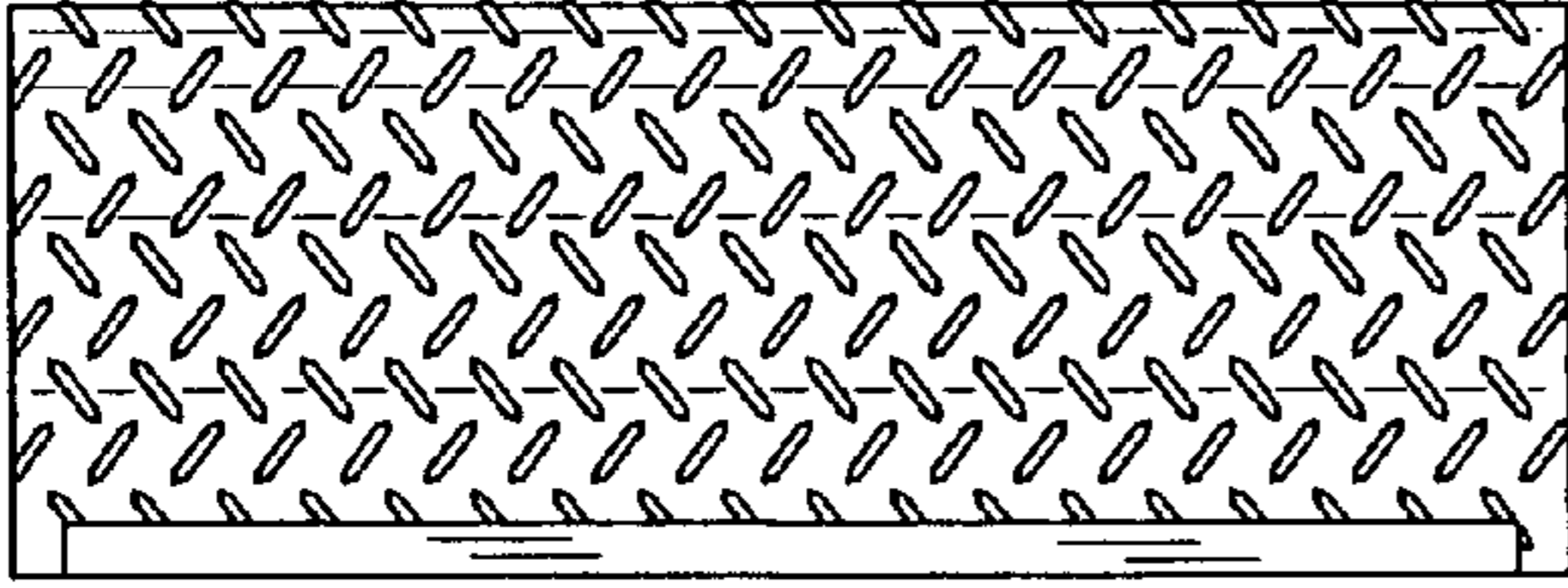
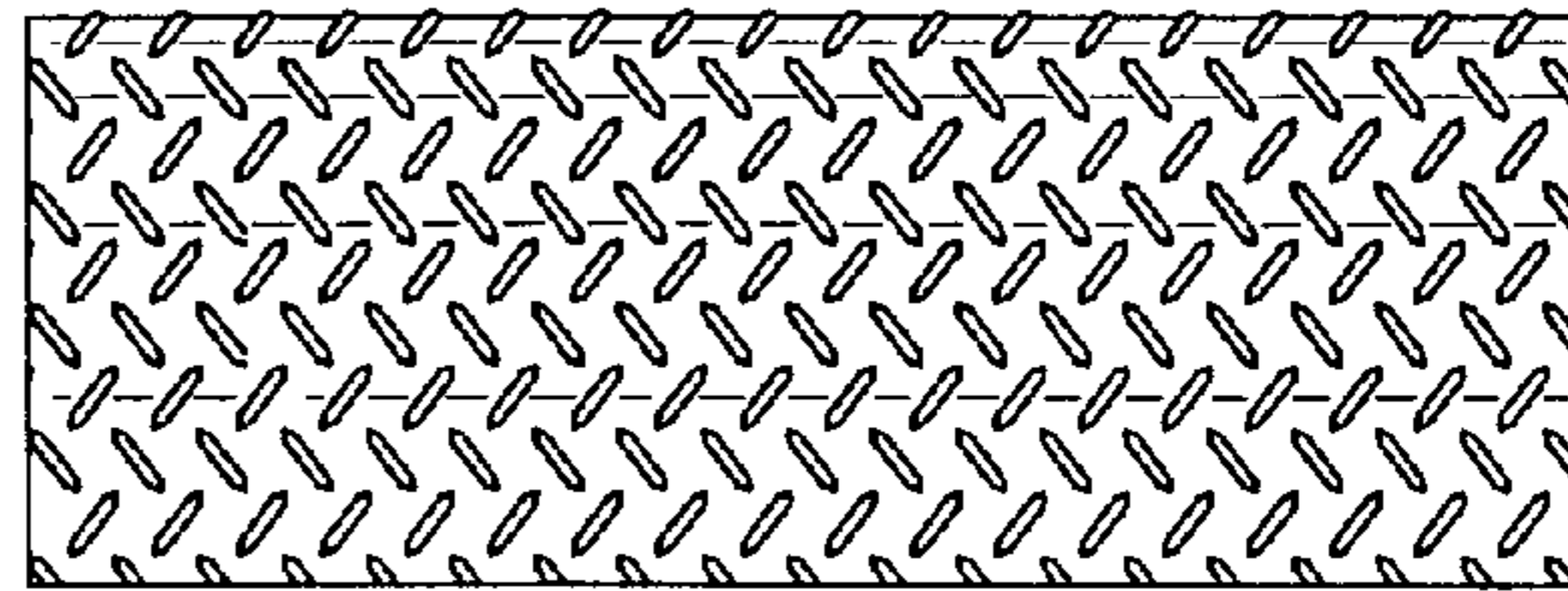


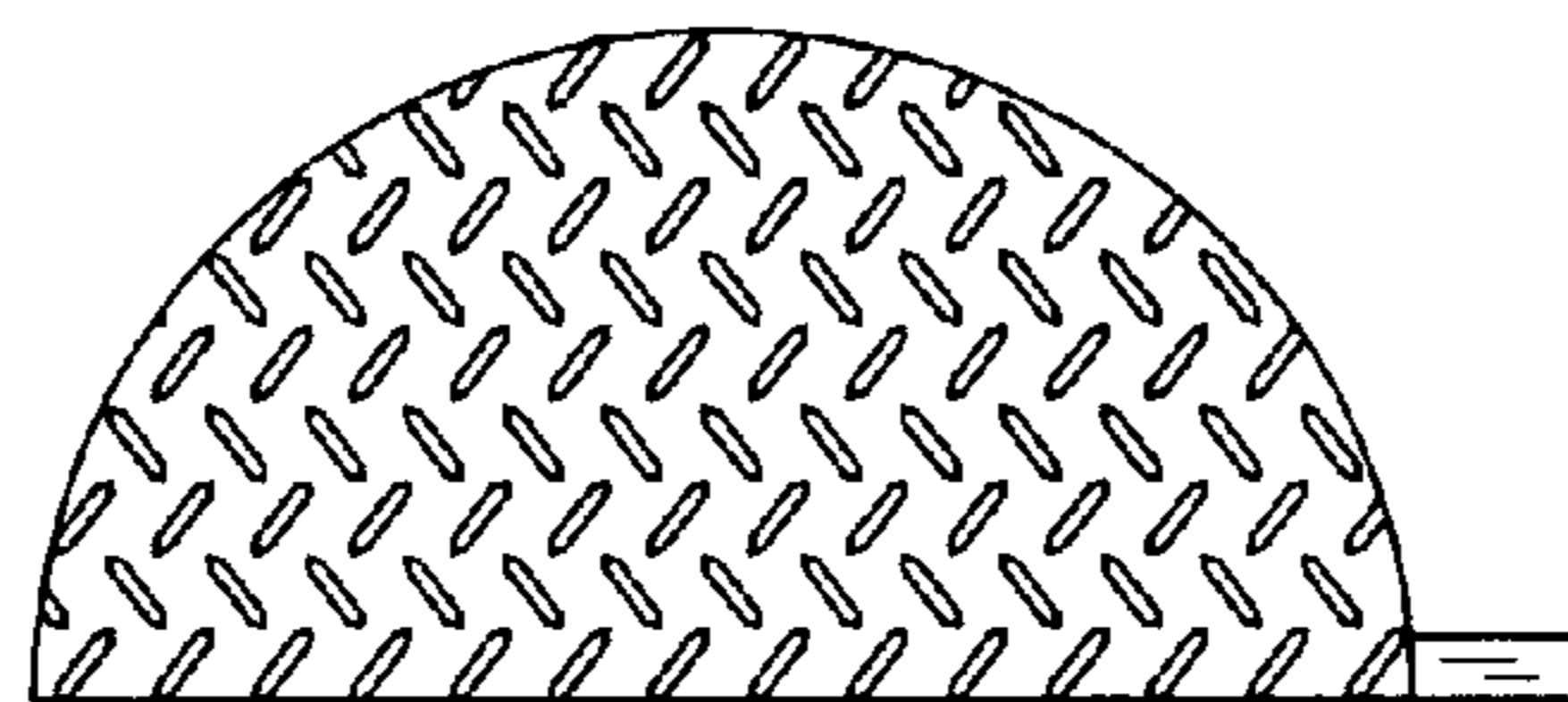
FIG. 1



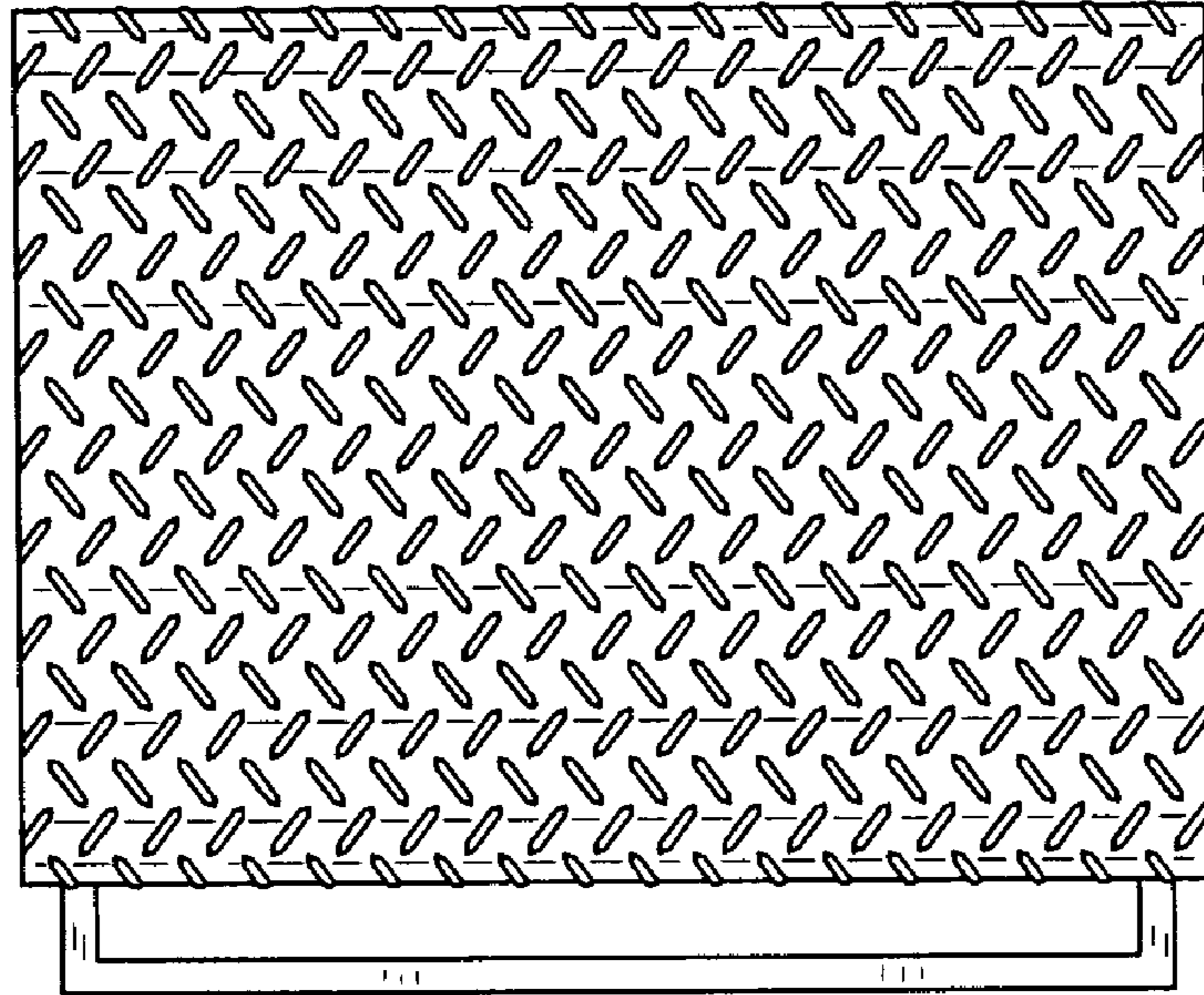
**FIG. 2**



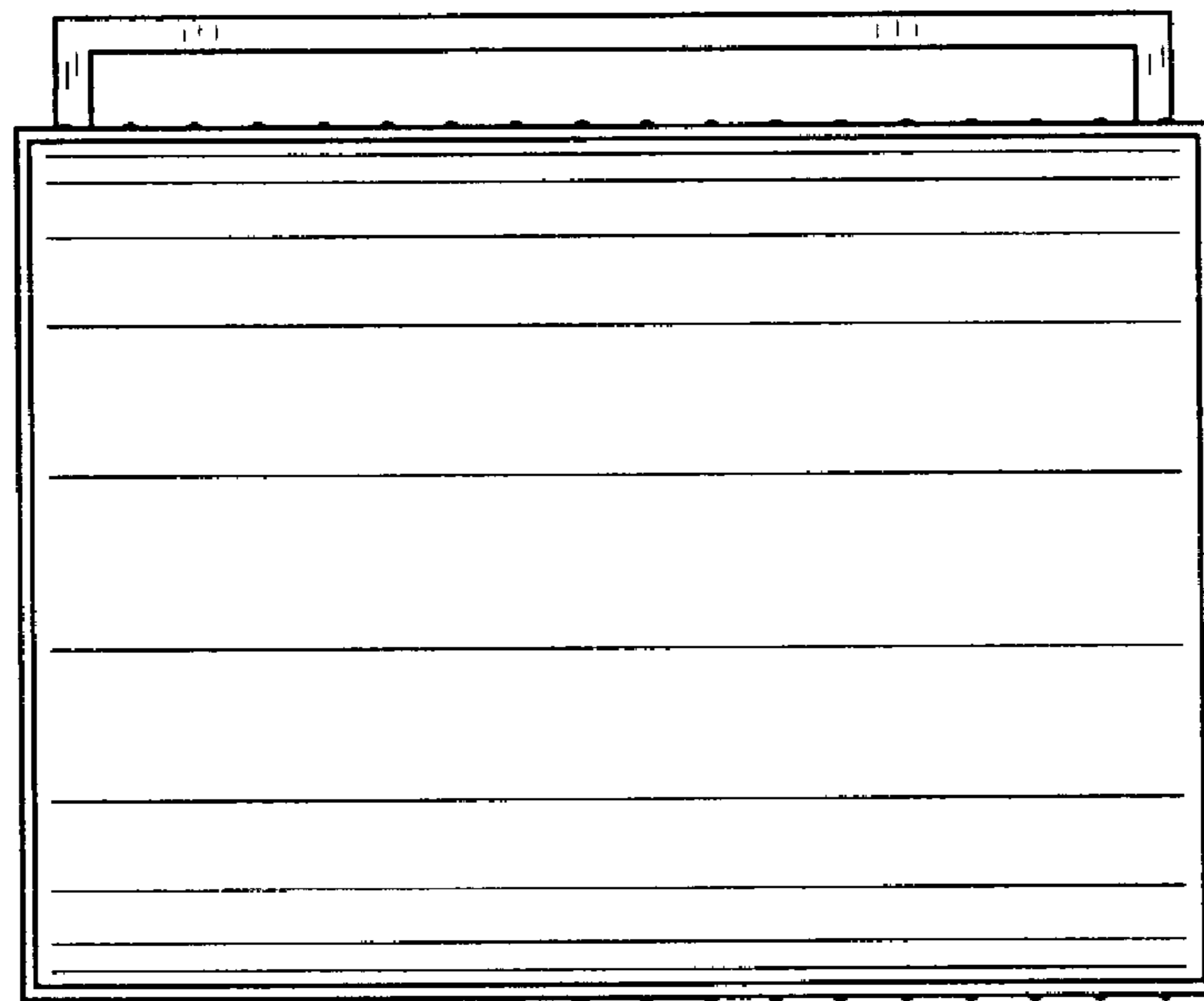
**FIG. 3**



**FIG. 4**



**FIG. 5**



**FIG. 6**