



US00D573836S

(12) **United States Design Patent**  
**Kay et al.**

(10) **Patent No.:** **US D573,836 S**  
(45) **Date of Patent:** **\*\* Jul. 29, 2008**

(54) **SPILL RESISTANT LID**

(75) Inventors: **Jason Kay**, Morristown, NJ (US); **Eric David Listenberger**, Moorestown, NJ (US); **William John Mussig**, Seekonk, MA (US); **Michael Cassiano Pereira**, Smithfield, RI (US); **Joseph Sejnowski**, North Kingstown, RI (US)

(73) Assignee: **Novartis AG**, Basel (CH)

(\*\*) Term: **14 Years**

(21) Appl. No.: **29/247,829**

(22) Filed: **Jul. 14, 2006**

**Related U.S. Application Data**

(63) Continuation-in-part of application No. 11/374,292, filed on Jul. 21, 2005, now abandoned.

(51) **LOC (8) Cl.** ..... **07-02**

(52) **U.S. Cl.** ..... **D7/392.1**

(58) **Field of Classification Search** ..... D7/391, D7/392, 392.1, 629, 538, 541; D9/435, 436, D9/443, 453, 454, 503, 504; 220/700, 701, 220/780, 782, 793, 315, 367.1; 206/508  
See application file for complete search history.

(56) **References Cited**

**U.S. PATENT DOCUMENTS**

D333,754 S \* 3/1993 Conti ..... D7/392.1

D335,424 S \* 5/1993 Chang ..... D7/391  
D389,056 S \* 1/1998 Hayes et al. .... D9/435  
D416,754 S \* 11/1999 Laib ..... D7/392.1  
D482,232 S \* 11/2003 Zettle et al. .... D7/392.1  
D482,283 S \* 11/2003 Wichmann et al. .... D9/454

\* cited by examiner

*Primary Examiner*—Holly H. Baynham

*Assistant Examiner*—Cynthia M. Chin

(74) *Attorney, Agent, or Firm*—Mekalaradha Masilamani

(57) **CLAIM**

The ornamental design for a spill resistant lid, as shown and described.

**DESCRIPTION**

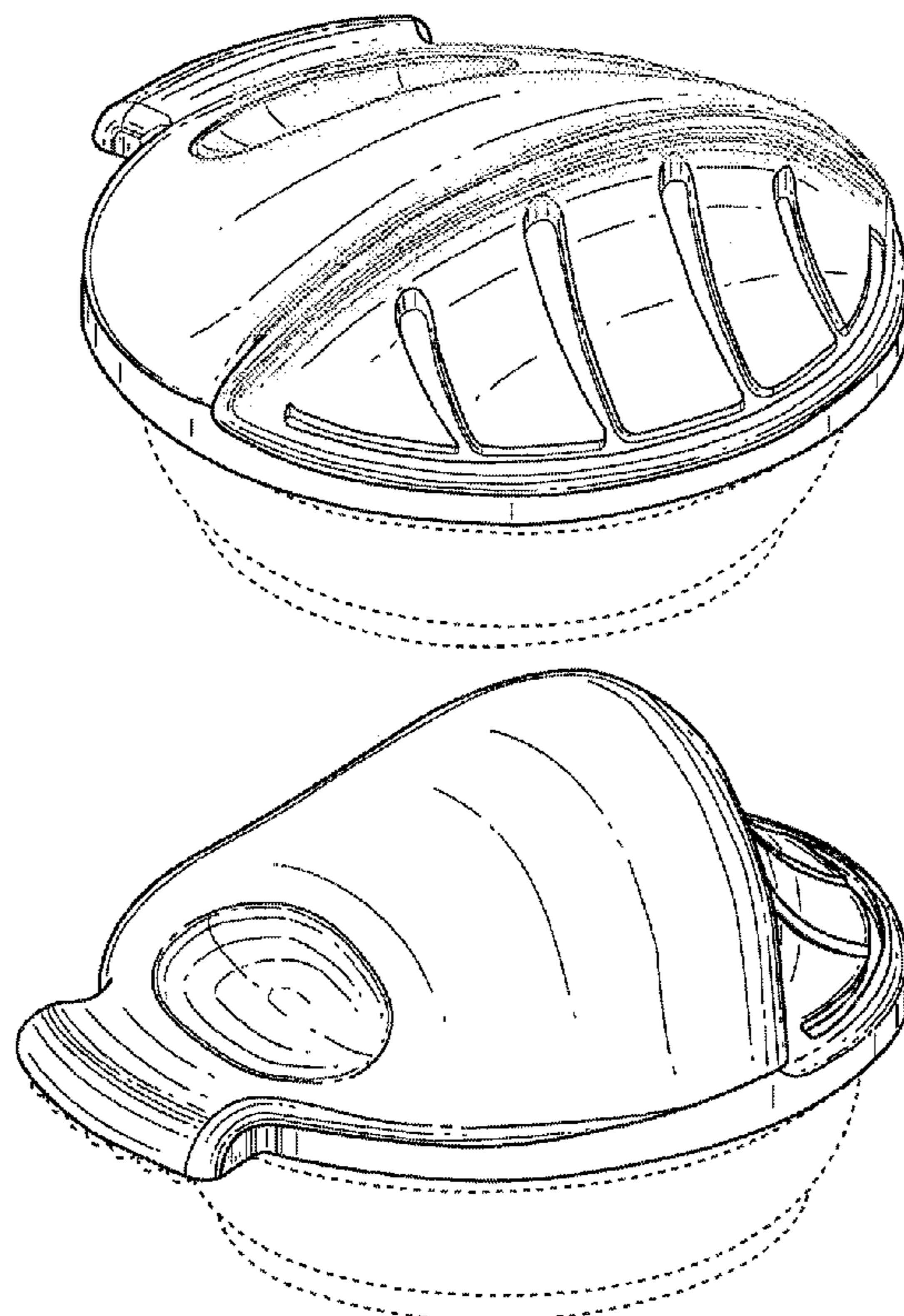
FIG. 1 is a front perspective view of the spill resistant lid and bowl.

FIG. 2 is a rear perspective view of the spill resistant lid and bowl; and,

FIG. 3 is a side view of the spill resistant lid and bowl.

The bowl is shown in the drawings in broken lines as an illustration of an environmental structure, and forms no part of the claimed design.

**1 Claim, 1 Drawing Sheet**



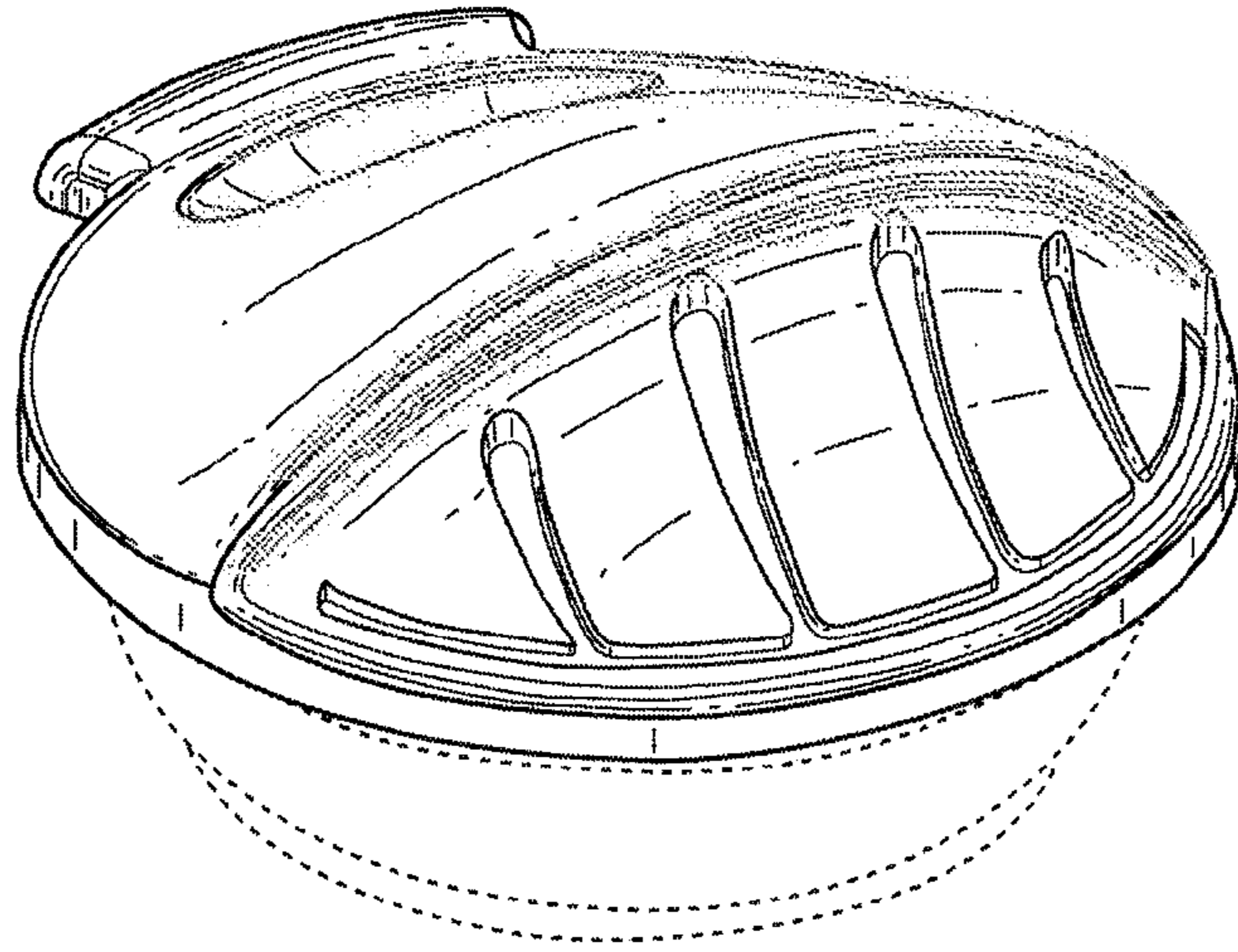


FIG. 1

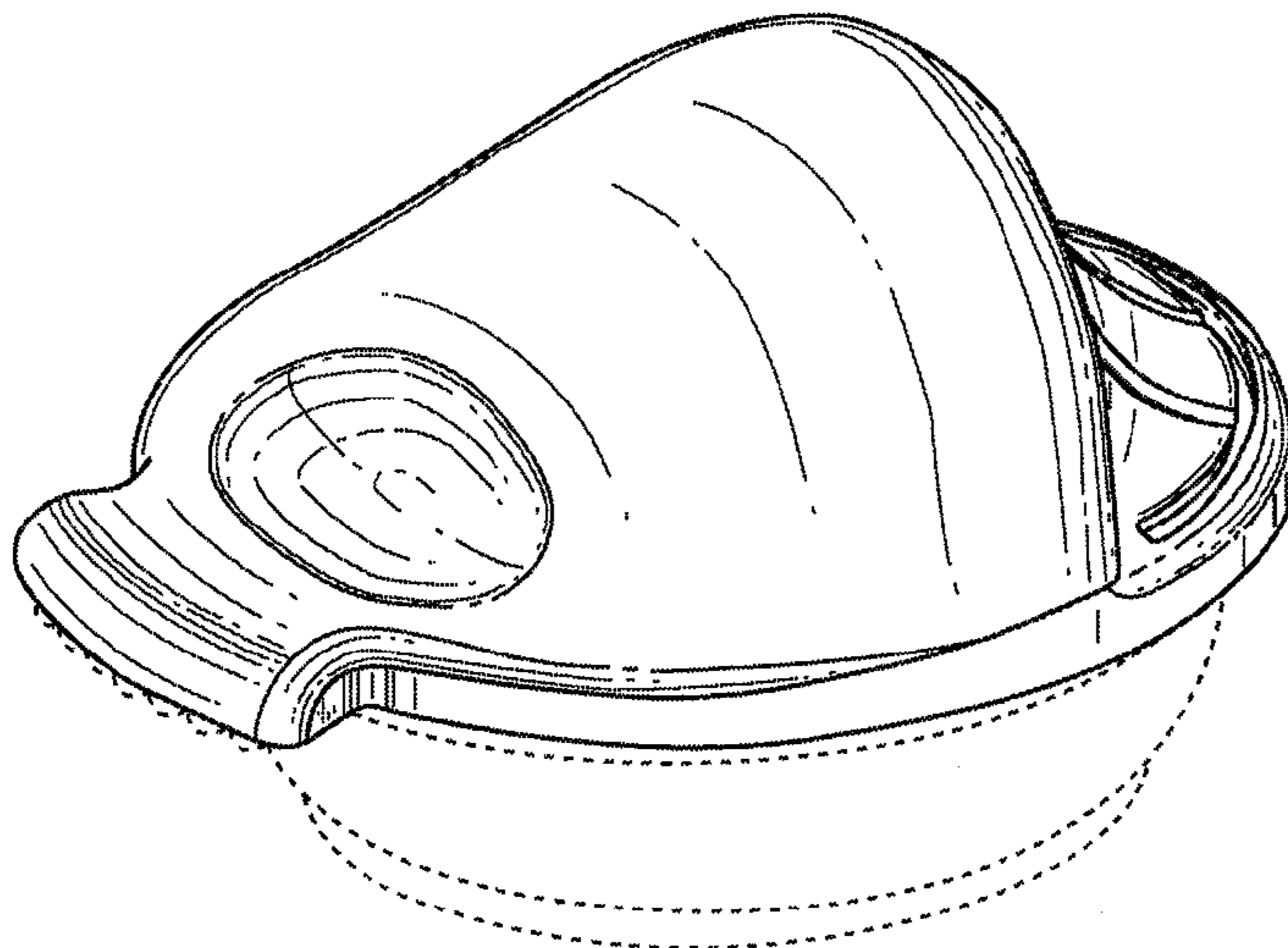


FIG. 2

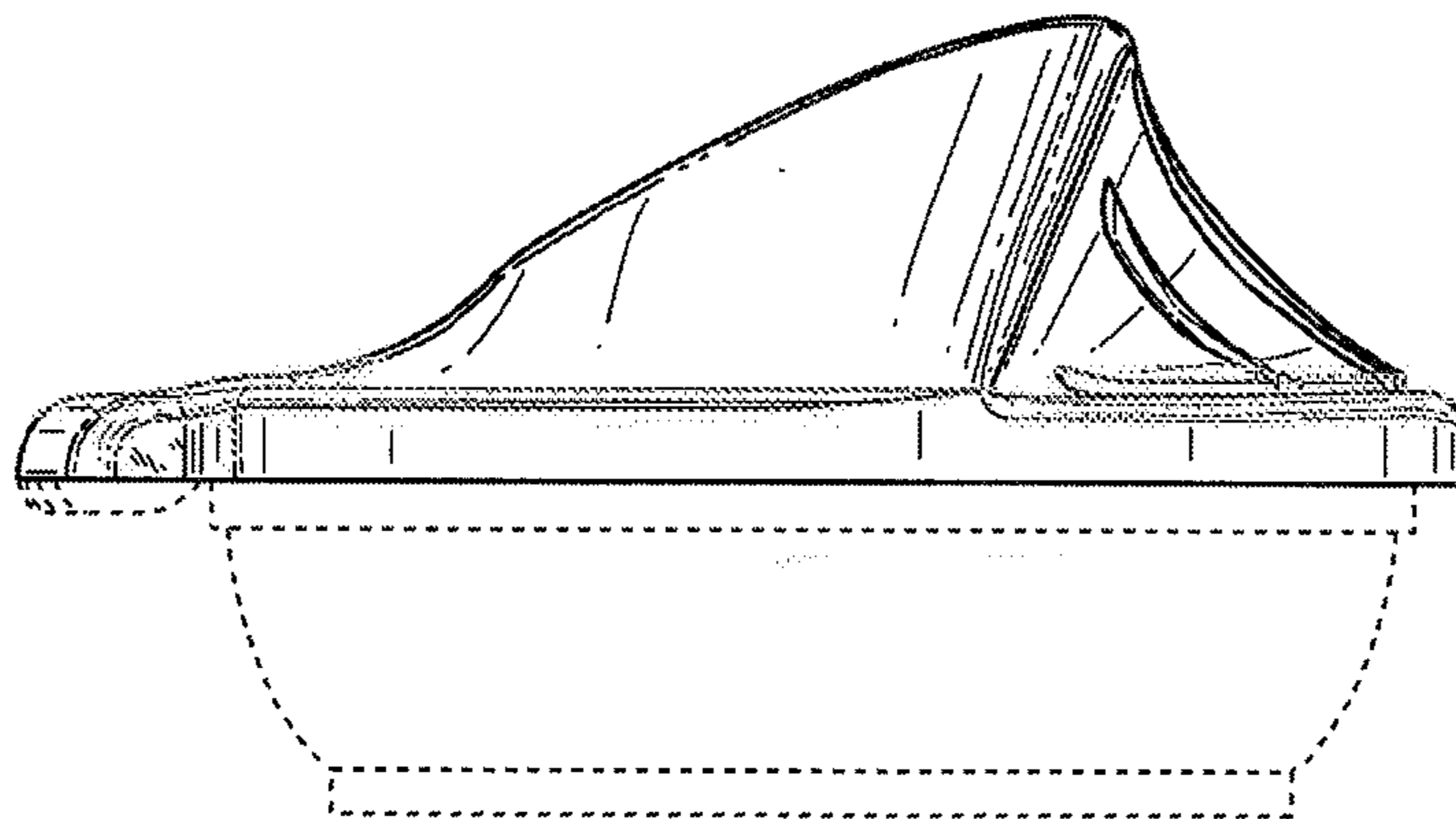


FIG. 3