



US00D573834S

(12) **United States Design Patent**  
**Iwasaki et al.**

(10) **Patent No.:** **US D573,834 S**  
(45) **Date of Patent:** **\*\* Jul. 29, 2008**

- (54) **TEA KETTLE**
  - (75) Inventors: **Ichiro Iwasaki**, Tokyo (JP); **Jason Quinn**, Tokyo (JP)
  - (73) Assignee: **WKI Holding Company, Inc.**, Rosemont, IL (US)
  - (\*\*) Term: **14 Years**
  - (21) Appl. No.: **29/273,675**
  - (22) Filed: **Mar. 9, 2007**
  - (51) **LOC (8) Cl.** ..... **07-01**
  - (52) **U.S. Cl.** ..... **D7/318; D7/317; D7/321; D7/322**
  - (58) **Field of Classification Search** ..... **D7/300, D7/317, 318, 320, 321, 322, 312; 222/475, 222/474, 470, 144.5, 146.6**
- See application file for complete search history.

(56) **References Cited**  
U.S. PATENT DOCUMENTS

65,757 A	6/1867	Knuschke
1,173,989 A	2/1916	Thalman et al.
1,193,157 A	8/1916	Krause et al.
1,486,802 A	3/1924	Royse
1,576,811 A	3/1926	Clark
1,646,154 A	10/1927	Kroll
1,658,645 A	2/1928	McGee
1,938,527 A	12/1933	Marelli
1,954,983 A	4/1934	Brown
D95,354 S	4/1935	Kircher
2,014,582 A	9/1935	Putz
2,169,239 A	8/1939	Hacmac
2,276,917 A	3/1942	Bernhardt
2,501,142 A	3/1950	Reichart
2,574,876 A	11/1951	Lebus
2,590,596 A	3/1952	Ziskin et al.
2,620,948 A	12/1952	Ziskin et al.

2,624,493 A	1/1953	Porter
2,638,253 A	5/1953	Mueller
2,666,556 A	1/1954	Ziskin et al.
2,670,107 A	2/1954	Welden

(Continued)

FOREIGN PATENT DOCUMENTS

GB	152461	10/1920
----	--------	---------

(Continued)

OTHER PUBLICATIONS

U.S. Appl. No. 11/117,963, entitled "Automatic Ink Refill System and Methods".

*Primary Examiner*—Marianne Pandozzi

(74) *Attorney, Agent, or Firm*—McDermott Will & Emery LLP

(57) **CLAIM**

We claim the ornamental design for a tea kettle, as shown and described.

**DESCRIPTION**

FIG. 1 is a perspective view of a tea kettle according to the new design;

FIG. 2 is a left side view of the tea kettle shown in FIG. 1, the opposed right side view being a mirror image thereof;

FIG. 3 is a front view of the tea kettle shown in FIG. 1;

FIG. 4 is a top view of the tea kettle shown in FIG. 1;

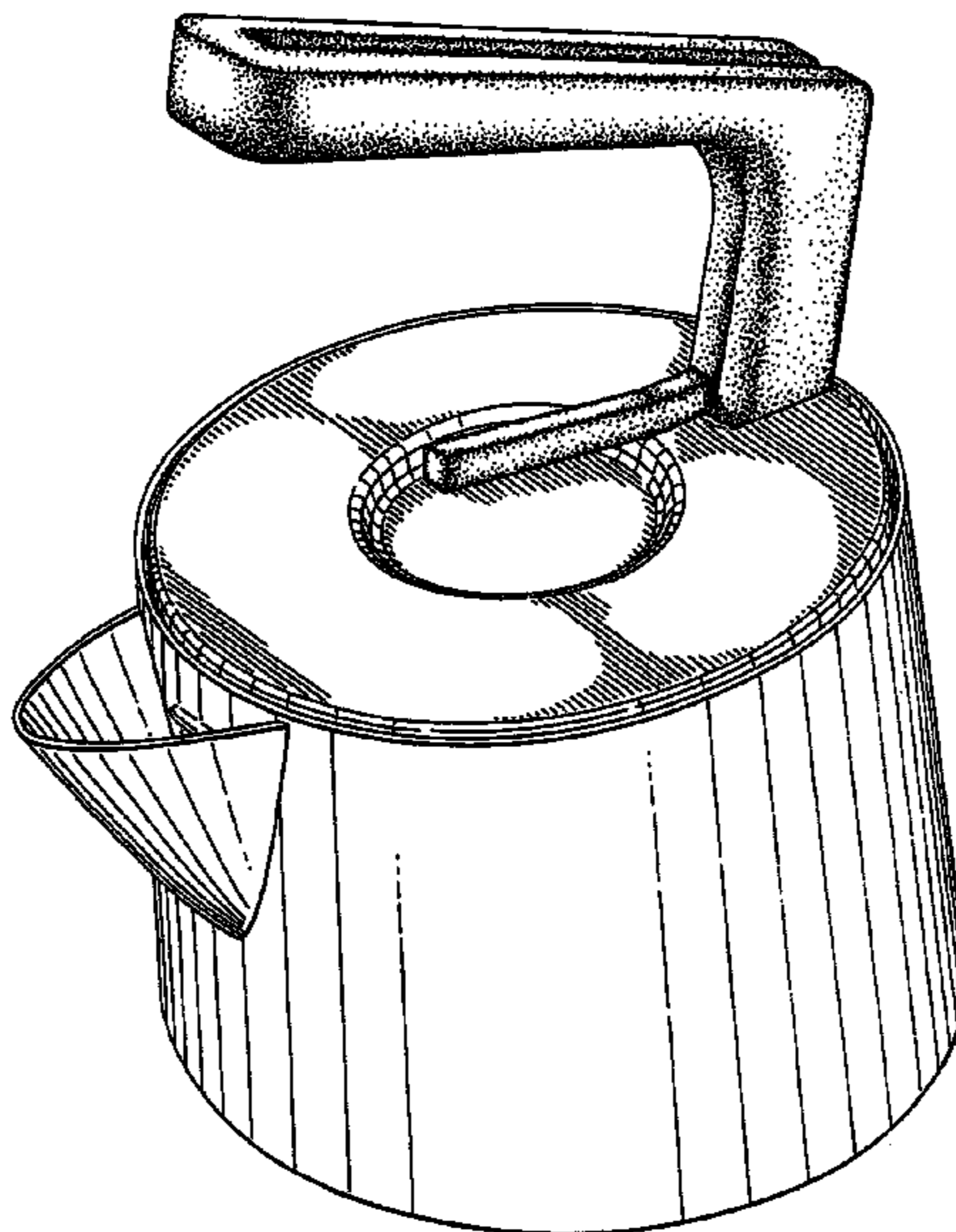
FIG. 5 is a bottom view of the tea kettle shown in FIG. 1; and,

FIG. 6 is a front view of the tea kettle shown in FIG. 1.

Features shown in broken lines in the drawings are not part of the claim.

The broken lines in the FIG. 5 drawing are included for the purpose of illustration and form no part of the claimed design.

**1 Claim, 4 Drawing Sheets**



# US D573,834 S

Page 2

U.S. PATENT DOCUMENTS					
2,696,332 A	12/1954	Felver	D363,633 S	10/1995	Ancona et al.
2,748,997 A	6/1956	Richmond, Sr.	D364,067 S	11/1995	Ancona et al.
3,130,881 A	4/1964	Jepson	D366,589 S	1/1996	Ancona
3,341,088 A	9/1967	Moynihan	5,490,616 A	2/1996	Stowell
3,469,747 A	9/1969	Richmond, Jr.	D373,499 S	9/1996	Piret
D217,179 S *	4/1970	Rakocy ..... D7/318	D376,721 S *	12/1996	Chen ..... D7/321
D221,062 S	7/1971	Huthsing, Jr.	5,582,316 A	12/1996	Masayoshi
3,591,060 A	7/1971	Nakamura	5,588,567 A	12/1996	Yeh
3,848,563 A	11/1974	Brown	5,615,808 A	4/1997	Huang
3,851,791 A	12/1974	Fuder	D379,898 S	6/1997	Ancona et al.
3,954,203 A	5/1976	Jorgenson et al.	D380,337 S	7/1997	Lien
4,026,274 A	5/1977	Gutierrez	D380,929 S *	7/1997	Wheeler ..... D7/322
4,069,751 A	1/1978	Gronwick et al.	D380,930 S *	7/1997	Wheeler ..... D7/322
4,123,871 A	11/1978	Knott	D381,859 S	8/1997	Joergensen
4,141,473 A	2/1979	Hudson	5,653,362 A	8/1997	Patel
4,155,349 A	5/1979	Hudson	5,672,274 A	9/1997	Wheeler
4,189,016 A	2/1980	Nicol	5,690,094 A	11/1997	Sheinfeld
4,203,529 A	5/1980	Torassa et al.	5,693,244 A	12/1997	Pragt
4,261,328 A	4/1981	Kirk	5,706,985 A	1/1998	Feer
D265,621 S *	8/1982	Christov Urich ..... D7/321	5,793,020 A	8/1998	O'Neill
4,385,585 A	5/1983	Lebowitz	D400,709 S	11/1998	Chang
4,430,556 A	2/1984	Inskip	D402,154 S	12/1998	Joergensen
4,470,220 A	9/1984	Sudo	D404,966 S	2/1999	Bell et al.
4,491,251 A	1/1985	Pratz	5,873,476 A	2/1999	Takahashi
4,550,027 A	10/1985	Stone	5,875,941 A	3/1999	Hsu
4,614,859 A	9/1986	Beckering	5,881,484 A	3/1999	Carroll
4,624,385 A	11/1986	Yano	5,921,425 A	7/1999	Markey
D288,518 S	3/1987	Lebowitz	5,944,224 A	8/1999	Hodge
4,648,535 A	3/1987	Zimmerman	5,947,343 A	9/1999	Horstmann
4,667,584 A	5/1987	Koyama	6,006,959 A	12/1999	Naden
4,735,191 A	4/1988	Boursse	6,050,446 A	4/2000	Lei
4,744,183 A	5/1988	Kruger	D425,400 S	5/2000	Geringer
4,759,274 A	7/1988	Schmidt	D428,758 S	8/2000	Santiago et al.
4,768,989 A	9/1988	Moomaw	6,095,366 A	8/2000	Soya
4,773,563 A	9/1988	Taylor	D432,851 S *	10/2000	Hoff et al. .... D7/320
4,813,368 A	3/1989	Hutter	D433,276 S	11/2000	Ancona et al.
D302,511 S *	8/1989	Porcelli ..... D7/317	D435,386 S	12/2000	Ancona et al.
4,857,897 A	8/1989	Chen	D435,997 S	1/2001	Leo et al.
4,873,918 A	10/1989	Goldman	6,216,903 B1	4/2001	Hirose
4,921,146 A	5/1990	Salzmann	6,269,984 B1	8/2001	Murakami
D308,314 S	6/1990	Ancona	6,298,773 B1	10/2001	Cali
D308,315 S	6/1990	Ancona	6,352,166 B1	3/2002	Copeland
D308,810 S	6/1990	Murawski	6,377,750 B1	4/2002	Scott
D311,839 S	11/1990	Hutter	6,390,014 B1	5/2002	Ghidini
D316,797 S *	5/1991	Ancona et al. .... D7/322	6,398,083 B2	6/2002	Nybakke
5,037,015 A	8/1991	Collins	D459,937 S	7/2002	Thurlow
5,065,884 A	11/1991	Naritomi	6,474,493 B1	11/2002	Lacout
5,072,858 A	12/1991	Brashier	6,520,380 B1	2/2003	Veltrop
5,135,128 A	8/1992	Kuhn	6,540,120 B2	4/2003	Lebowitz
5,171,952 A	12/1992	Waligorski	D478,243 S	8/2003	Lebowitz
D336,006 S	6/1993	Lebowitz	D478,768 S	8/2003	Belton
D342,640 S	12/1993	Lebowitz	D483,600 S	12/2003	Thurlow
D343,984 S *	2/1994	Lin ..... D7/320	D506,635 S *	6/2005	Krent et al. .... D7/321
5,294,014 A	3/1994	Wyatt	D526,829 S *	8/2006	Cohen ..... D7/321
5,339,978 A *	8/1994	Coppier ..... 220/318	D533,029 S	12/2006	Palm et al.
D352,419 S	11/1994	Lin	D535,148 S	1/2007	Palm et al.
5,413,257 A	5/1995	Amberger	D548,521 S	8/2007	Palm et al.
D360,101 S	7/1995	Lee	D553,898 S *	10/2007	De' Longhi ..... D7/321
D362,150 S	9/1995	Ancona et al.	2003/0019889 A1	1/2003	Lebowitz
D362,152 S	9/1995	Ancona et al.			
D362,989 S	10/1995	Ancona et al.			
D363,408 S	10/1995	Ancona et al.			

## FOREIGN PATENT DOCUMENTS

GB                      607046                      8/1948

\* cited by examiner



*FIG. 1*

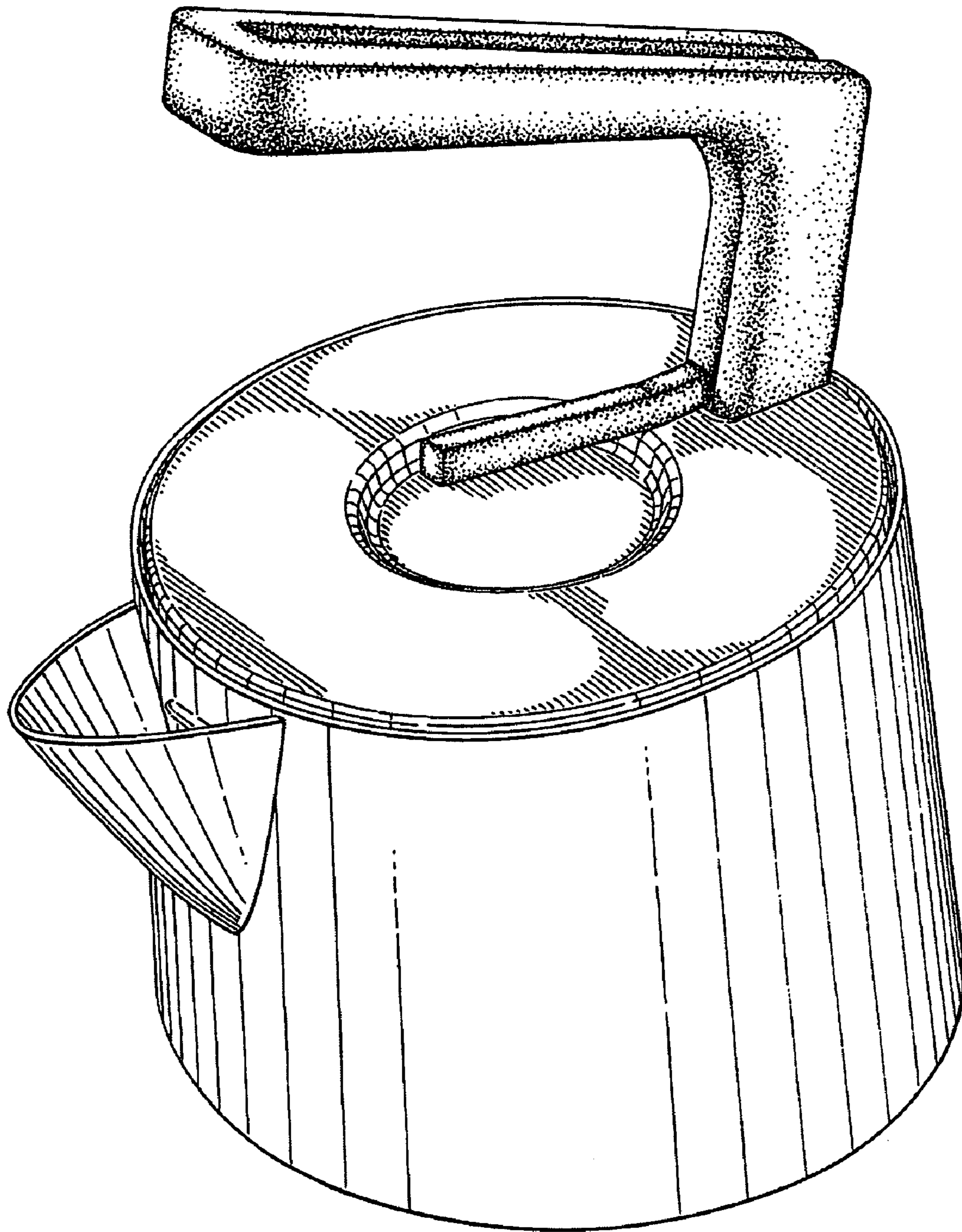


FIG. 2

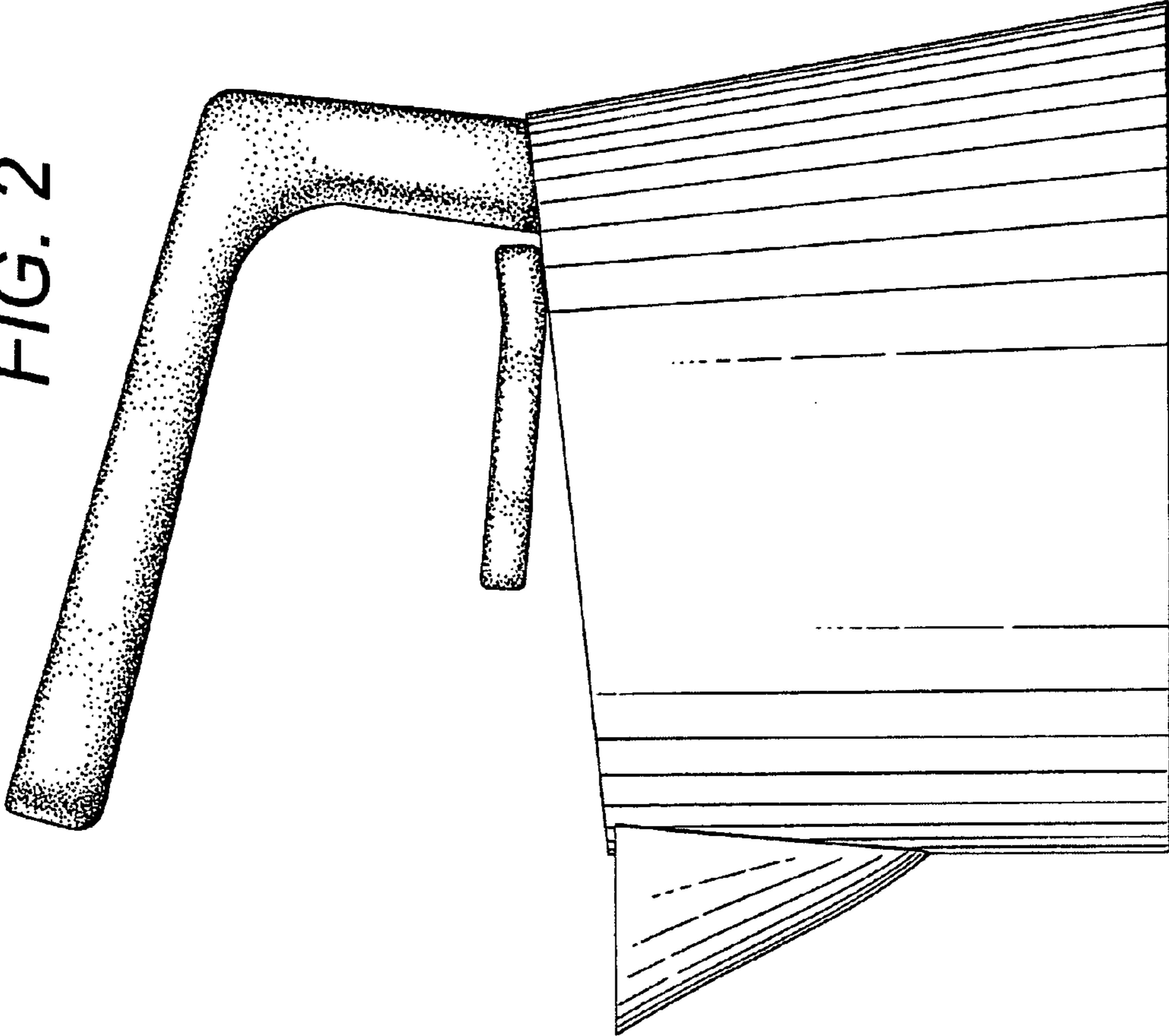
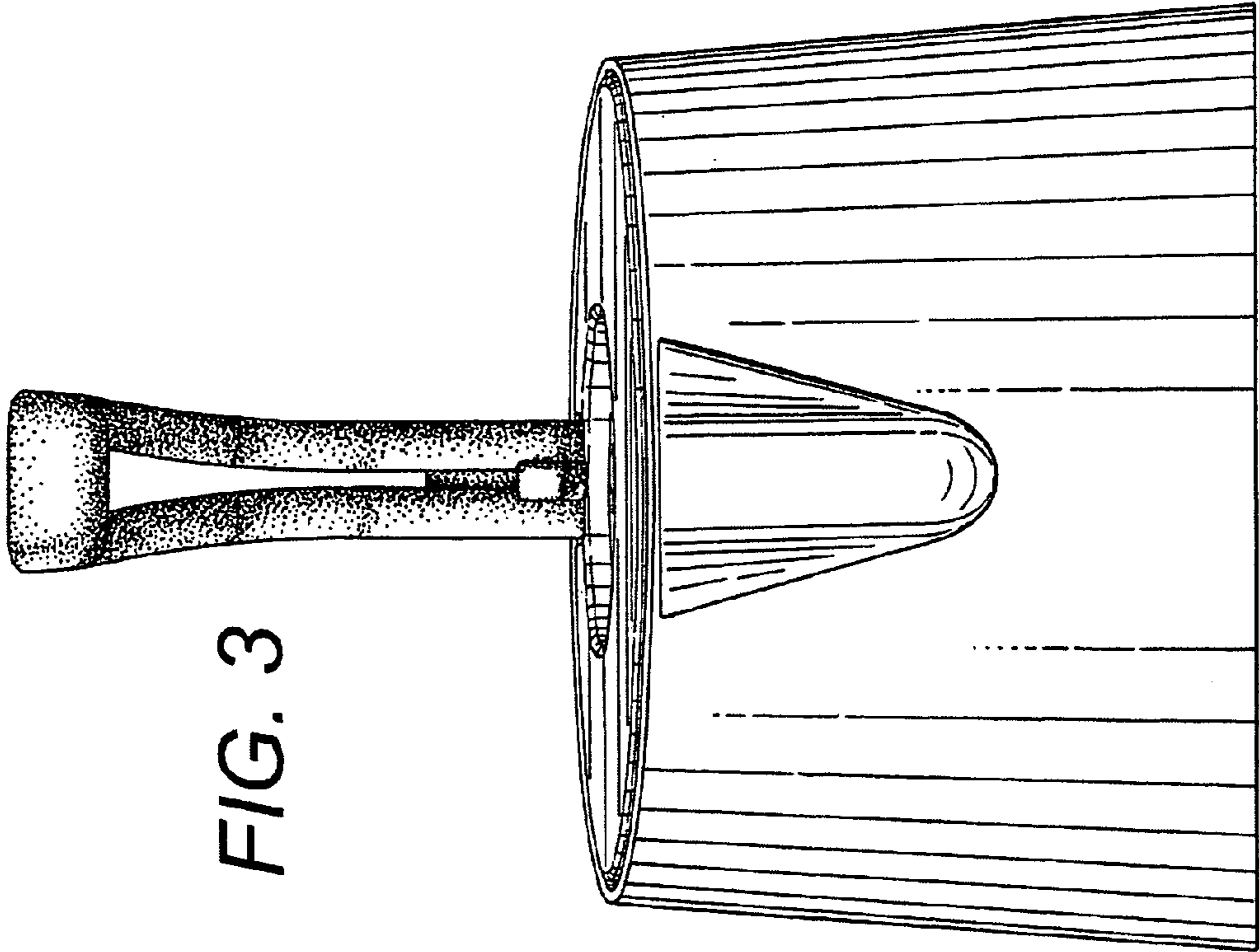


FIG. 3



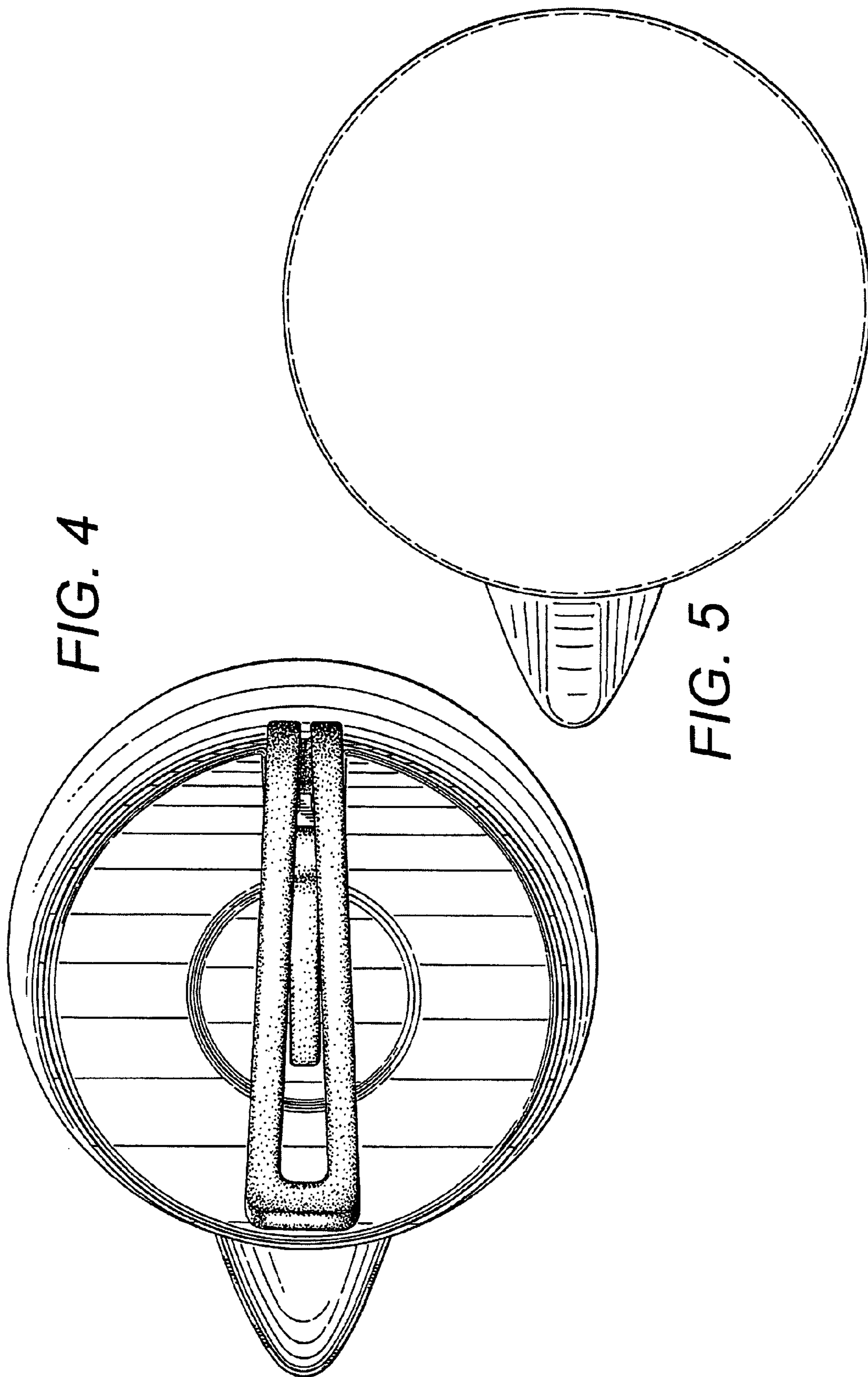


FIG. 4

FIG. 5

*FIG. 6*

