



US00D573833S

(12) **United States Design Patent**  
**Bodum**

(10) **Patent No.:** **US D573,833 S**

(45) **Date of Patent:** **\*\* Jul. 29, 2008**

(54) **COFFEE JUG**

(75) Inventor: **Jørgen Bodum**, St. Niklausen (CH)

(73) Assignee: **Pi-Design AG**, Triengen (CH)

(\*\*) Term: **14 Years**

(21) Appl. No.: **29/277,163**

(22) Filed: **Feb. 16, 2007**

(30) **Foreign Application Priority Data**

Aug. 17, 2006 (DK) ..... DA 2006 00219

(51) **LOC (8) Cl.** ..... **07-01**

(52) **U.S. Cl.** ..... **D7/317; D7/316**

(58) **Field of Classification Search** ..... D7/316,  
D7/317, 300.1, 300, 598; D9/502-505; 215/12.1,  
215/400, 384, 6; 206/217; 222/143, 131  
See application file for complete search history.

(56) **References Cited**

**U.S. PATENT DOCUMENTS**

D118,727 S *	1/1940	Spence	.....	D7/316
D124,880 S *	1/1941	Teunisz	.....	D9/500
D173,143 S *	10/1954	Budlong	.....	D7/317
D194,632 S *	2/1963	Eicholz	.....	D9/536
D196,866 S *	11/1963	Lewis	.....	D7/317
D231,684 S *	5/1974	Rayda	.....	D7/597
D231,685 S *	5/1974	Beckman	.....	D7/317
D232,687 S *	9/1974	Rayda	.....	D7/317

D308,926 S *	7/1990	Zivin	.....	D7/319
D359,688 S *	6/1995	Rosen	.....	D9/504
D403,552 S *	1/1999	Moran, Jr.	.....	D7/319
D472,147 S *	3/2003	Herrmann	.....	D9/504
D530,968 S *	10/2006	Bodum	.....	D7/300.1
D555,416 S *	11/2007	Bodum	.....	D7/317

\* cited by examiner

*Primary Examiner*—Marianne Pandozzi

(74) *Attorney, Agent, or Firm*—Cowan, Liebowitz & Latman, P.C.

(57) **CLAIM**

The ornamental design for a coffee jug, as shown and described.

**DESCRIPTION**

FIG. 1 is a perspective view of the coffee jug, showing my design thereof;

FIG. 2 is a front view thereof;

FIG. 3 is a back view thereof;

FIG. 4 is a right side view thereof;

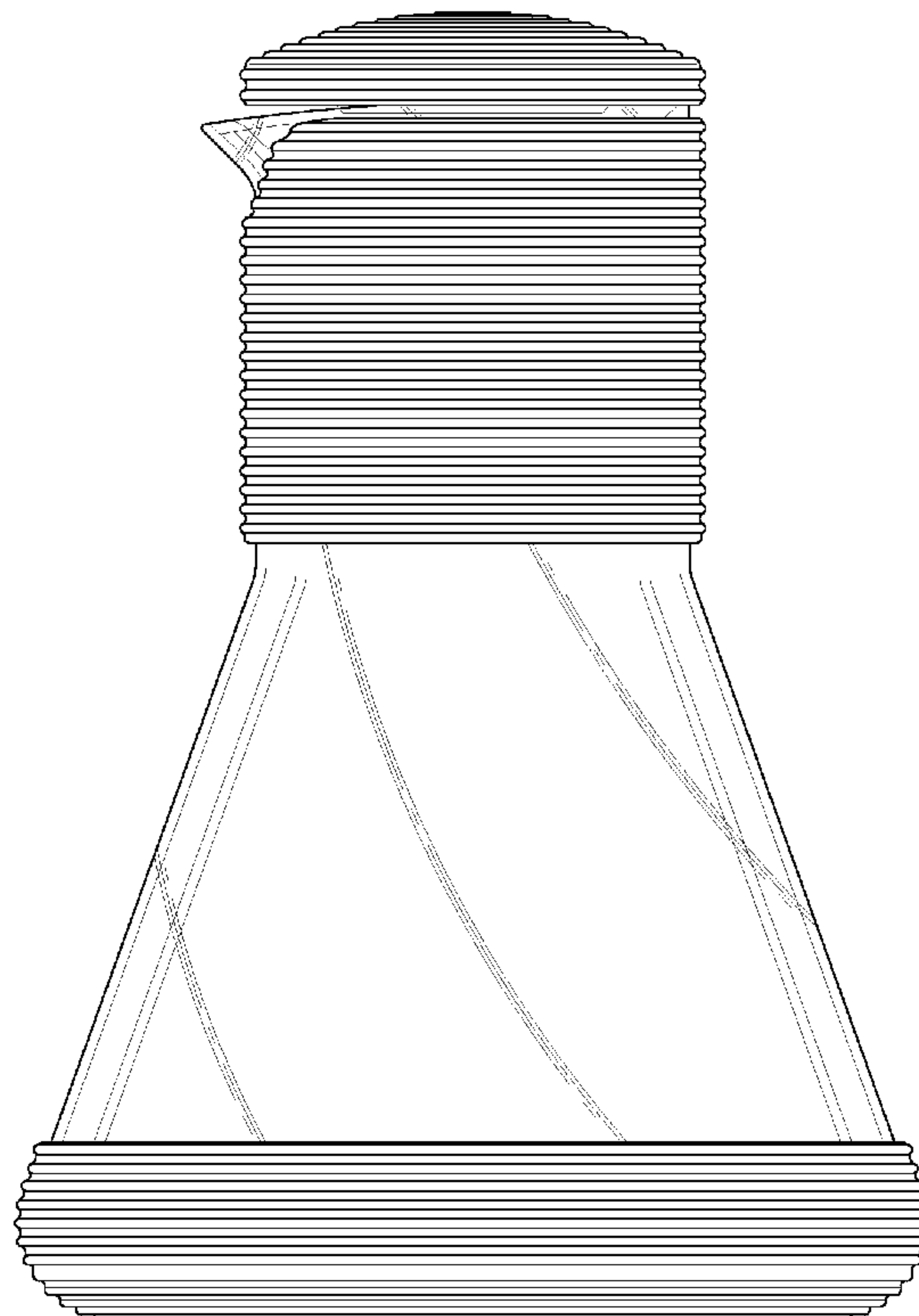
FIG. 5 is a left side view thereof;

FIG. 6 is a top view thereof;

FIG. 7 is a bottom view thereof; and,

FIG. 8 is a cross-sectional view thereof taken along line 8—8 of FIG. 5.

**1 Claim, 8 Drawing Sheets**



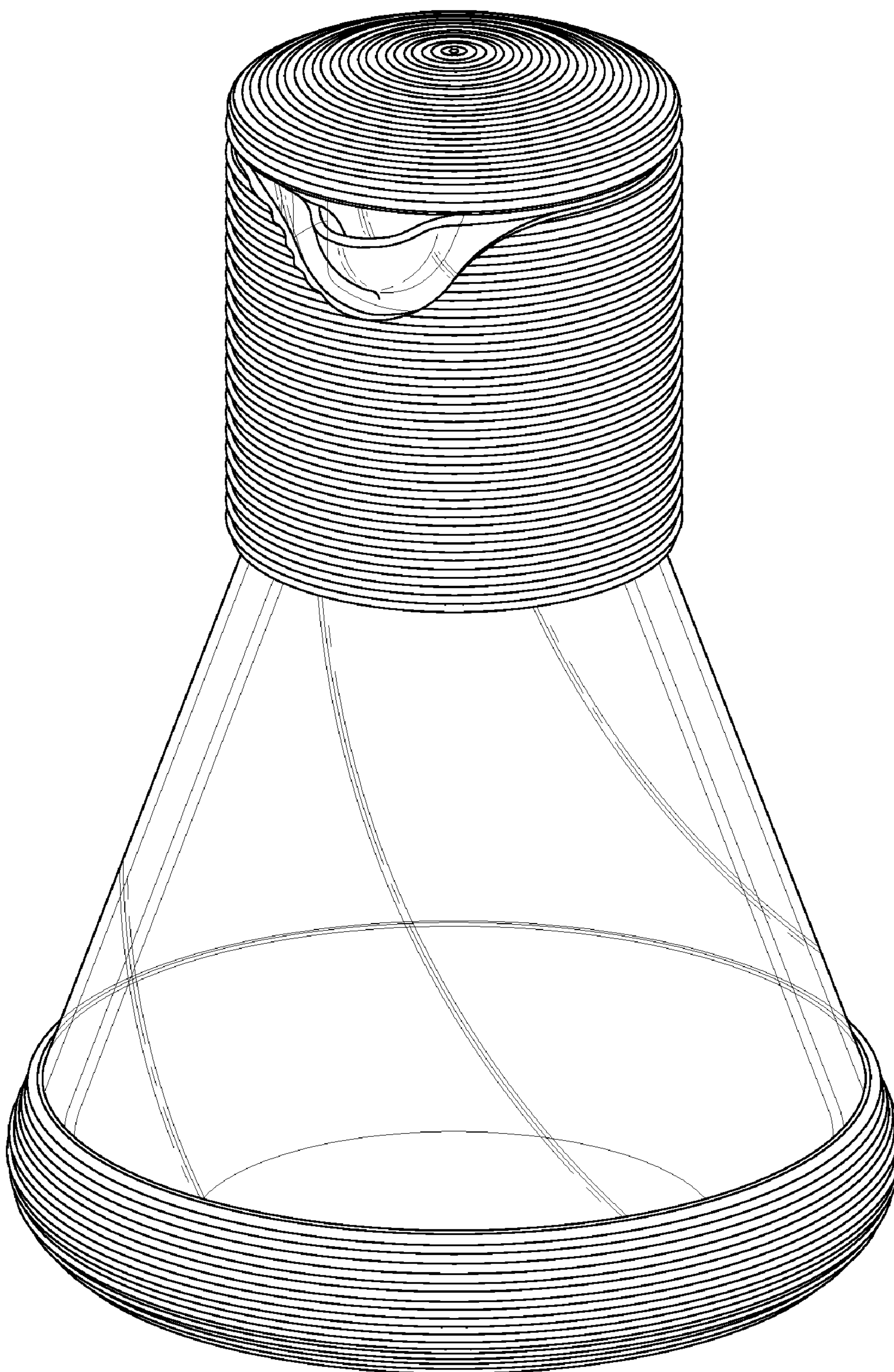


FIG. 1

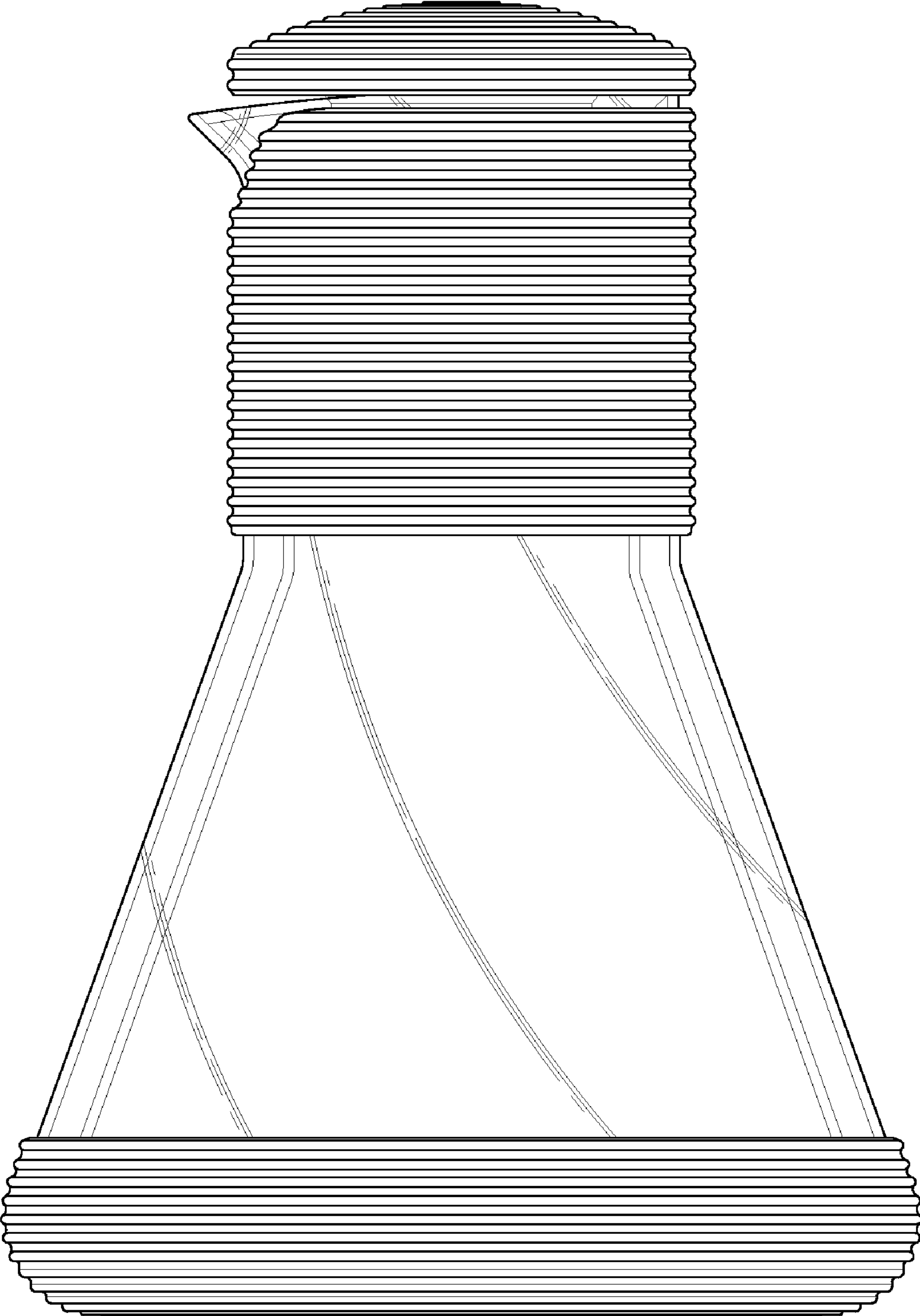


FIG. 2

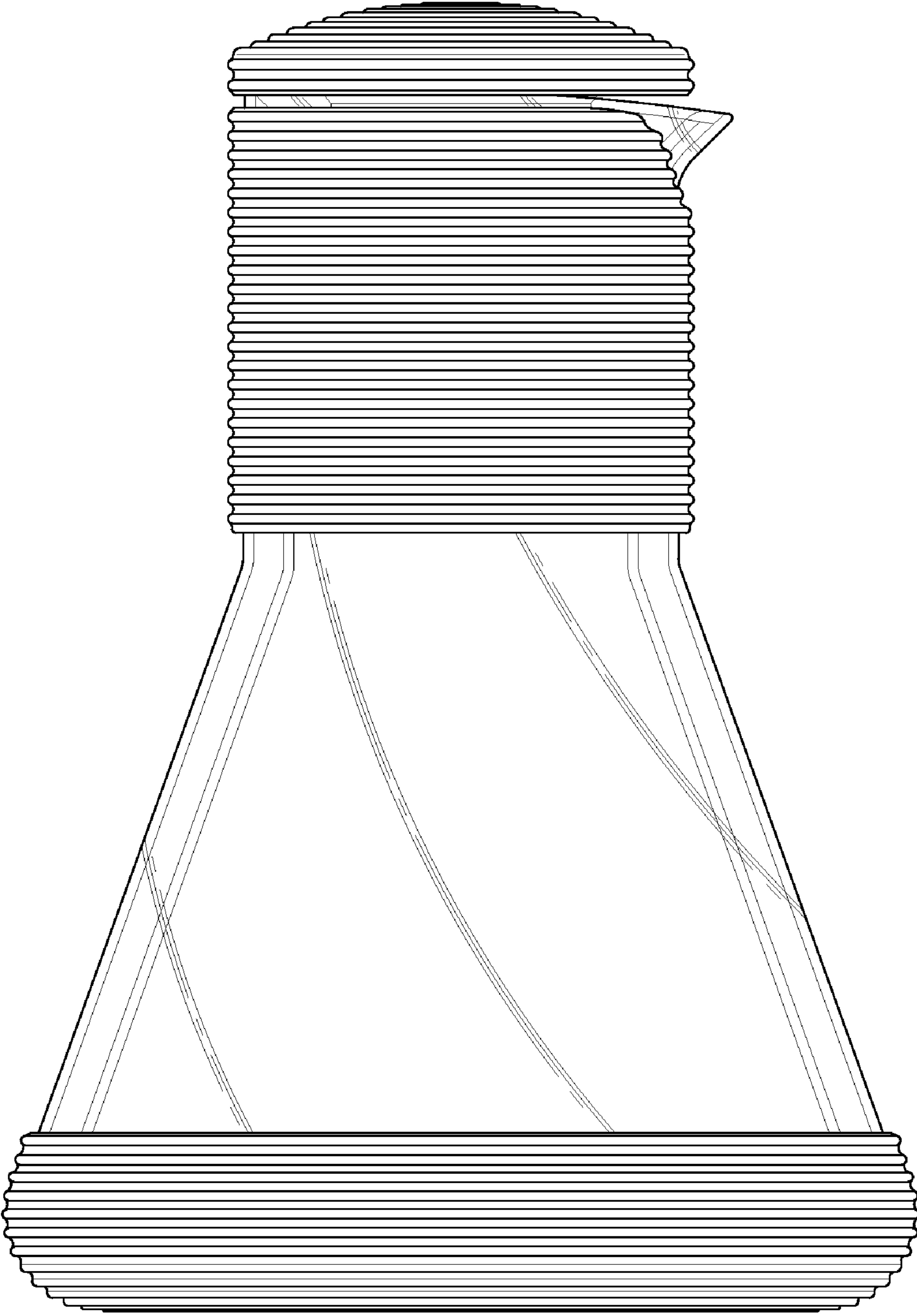


FIG. 3

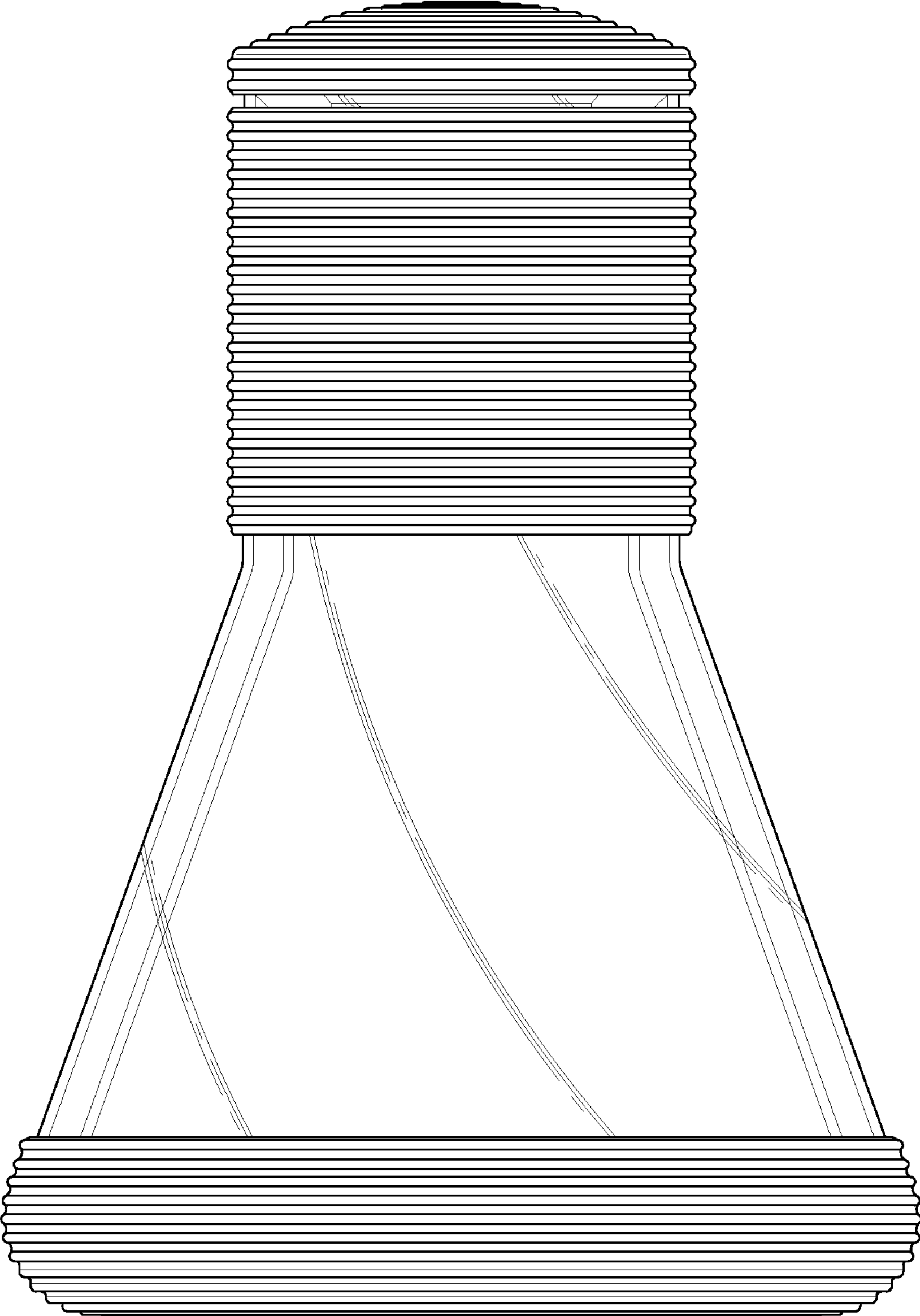


FIG. 4



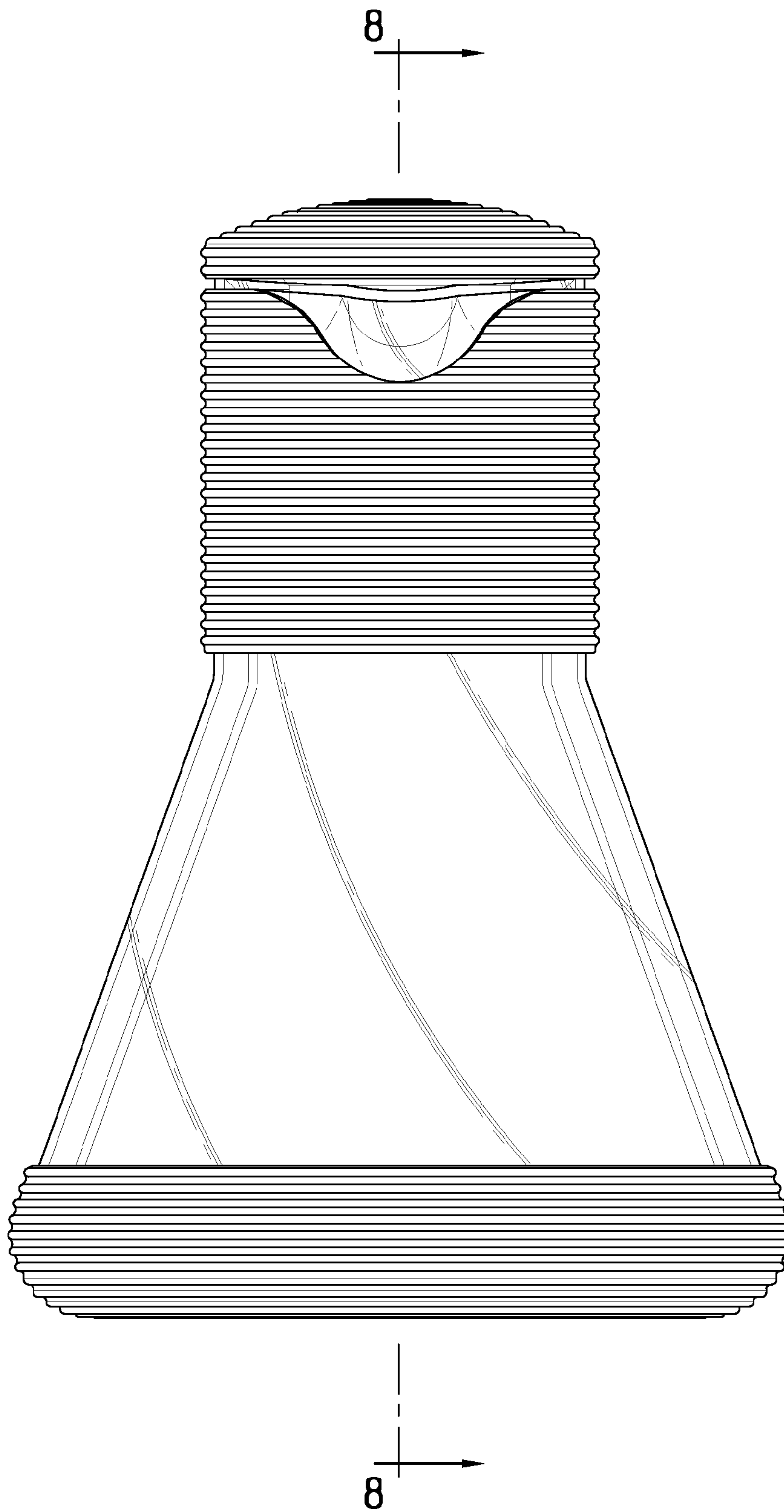


FIG. 5

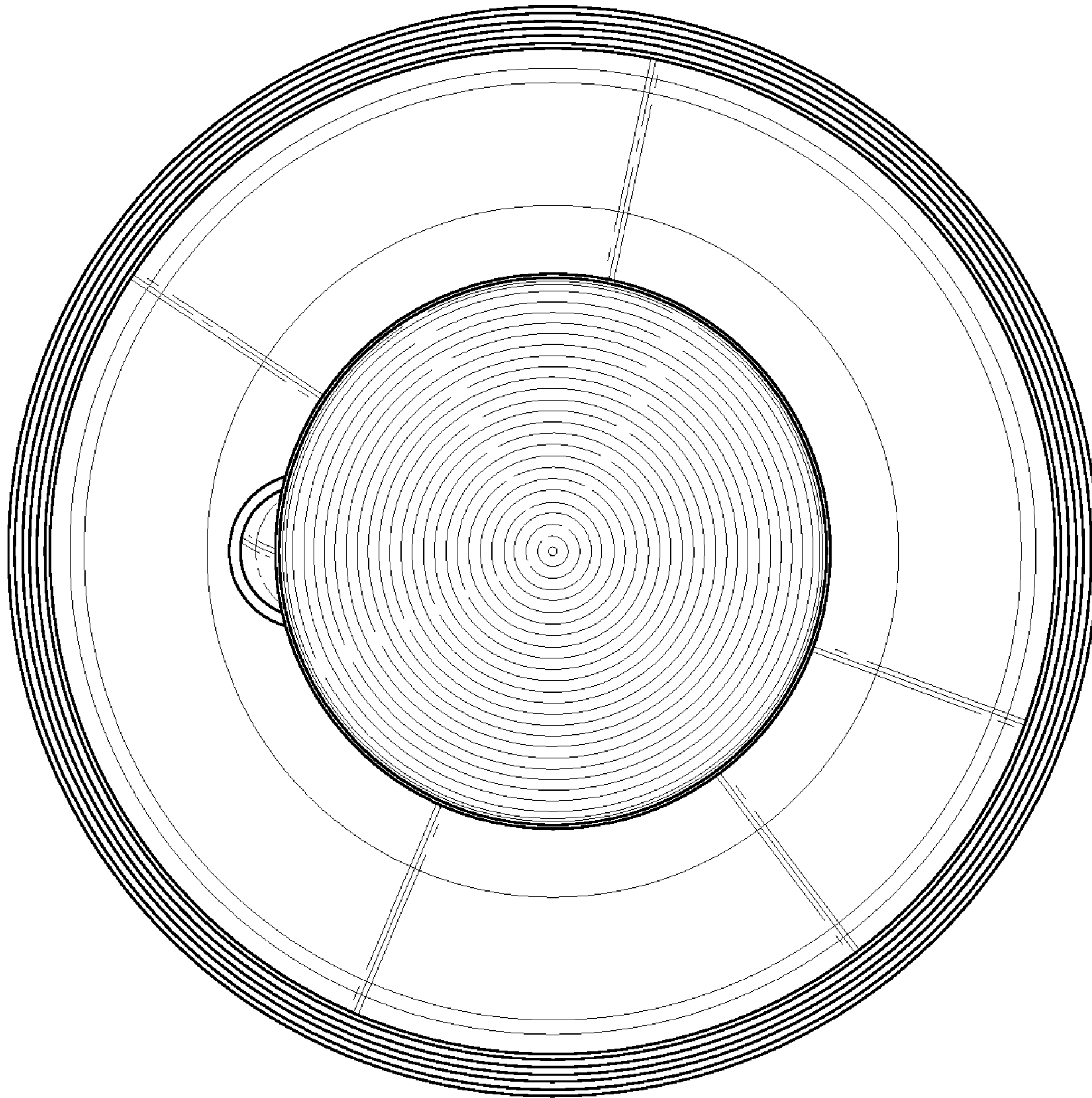


FIG. 6

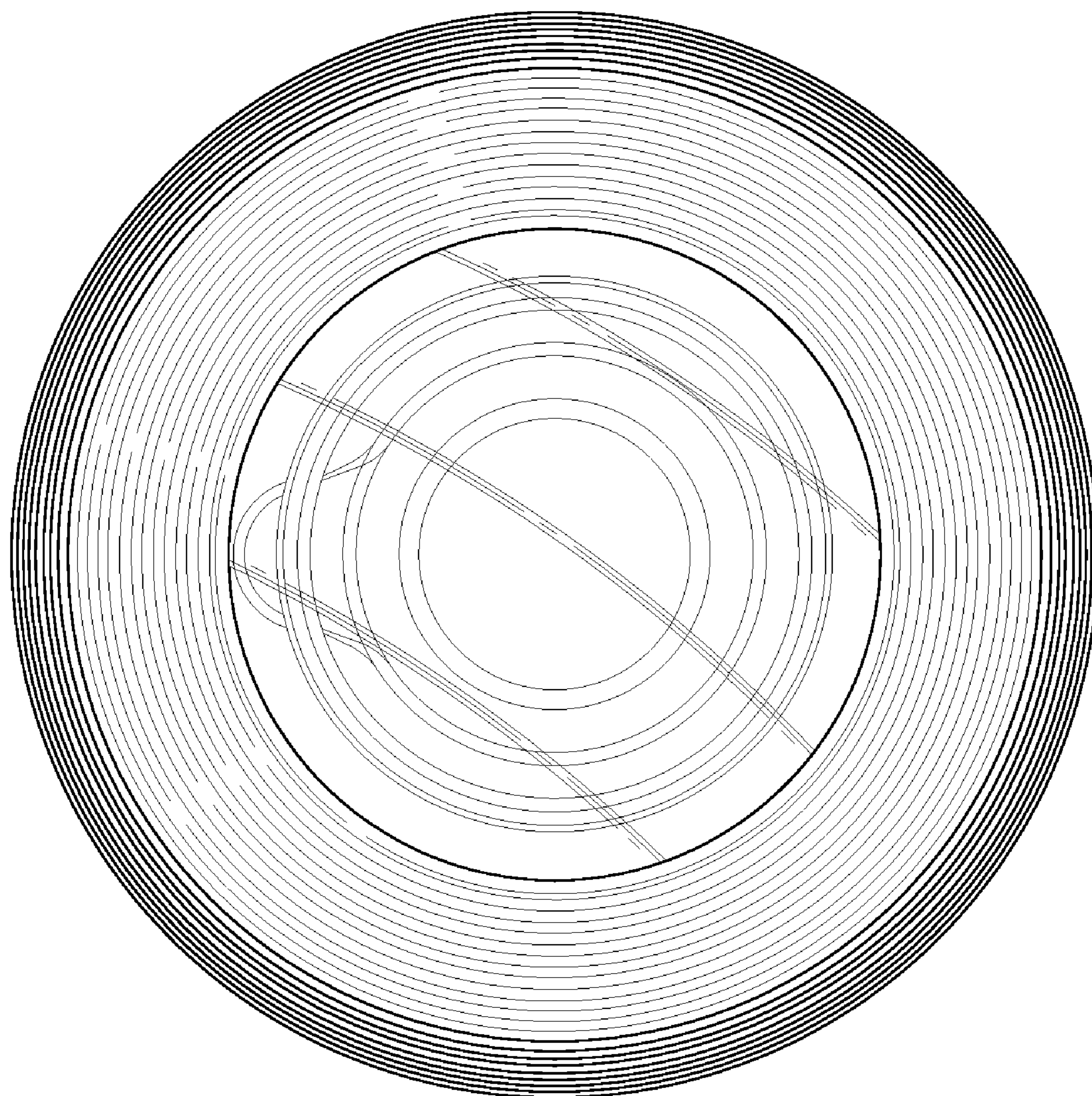


FIG. 7



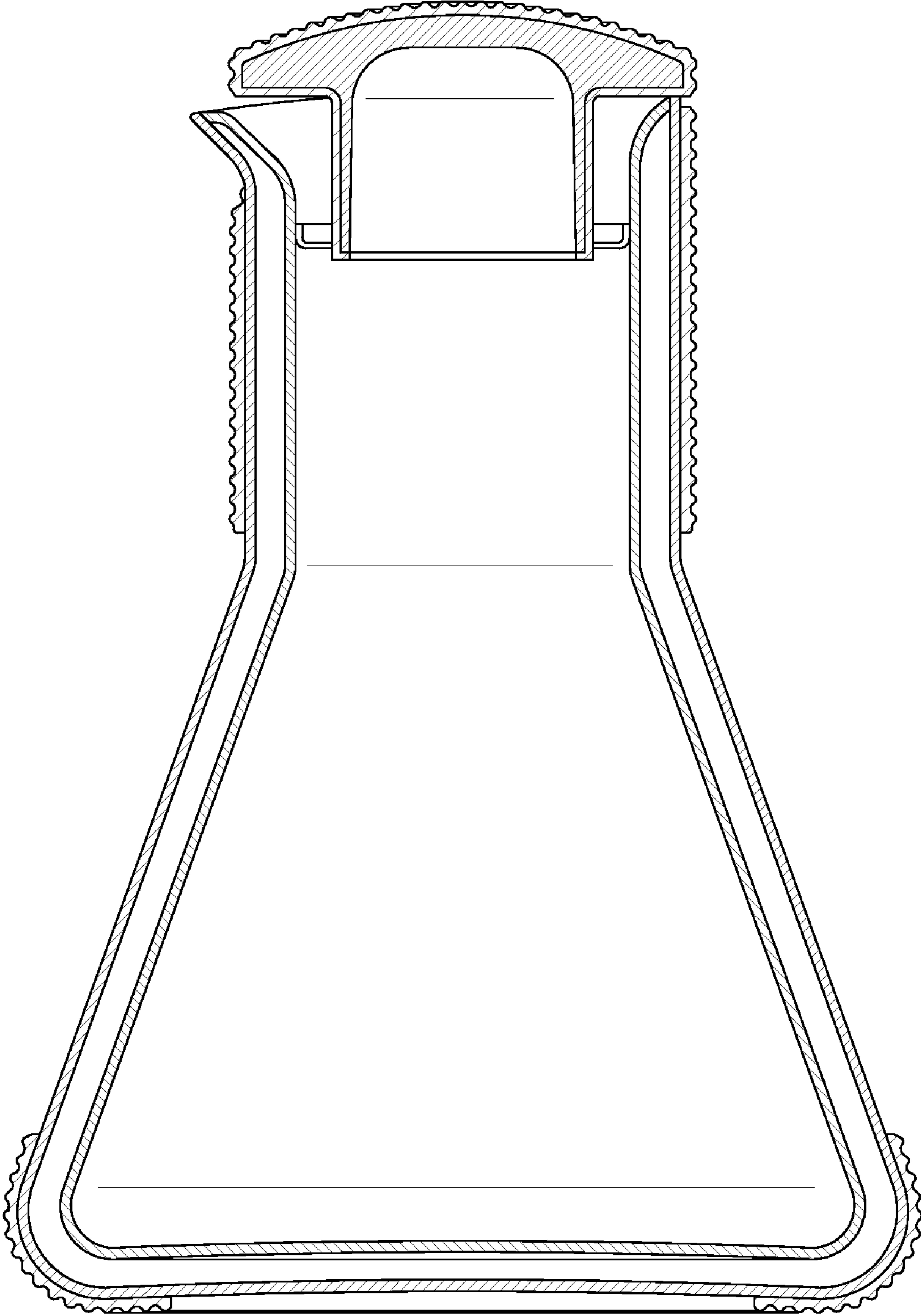


FIG. 8