



US00D573832S

(12) **United States Design Patent**
Wong

(10) **Patent No.:** **US D573,832 S**

(45) **Date of Patent:** **** Jul. 29, 2008**

(54) **PARTY FOUNTAIN**

(75) Inventor: **Kam-Lai Wong**, Hong Kong (CN)

(73) Assignee: **Sino Group Industrial Limited**, Hong Kong (CN)

(**) Term: **14 Years**

(21) Appl. No.: **29/273,510**

(22) Filed: **Mar. 7, 2007**

(30) **Foreign Application Priority Data**

Sep. 27, 2006 (CN) 2006 3 0138956

(51) **LOC (8) Cl.** **07-01**

(52) **U.S. Cl.** **D7/304; D7/558; D7/552.2**

(58) **Field of Classification Search** D7/300,
D7/301, 304-308, 311, 312, 313, 552.2, 505,
D7/570; D23/293.1, 277, 284, 258; D24/123;
D34/17; 108/94; 222/129.1, 129.3, 138,
222/146.1, 630; 248/129; 239/24-33, 16,
239/28, 29, 29.3; 62/400

See application file for complete search history.

(56) **References Cited**

U.S. PATENT DOCUMENTS

D8,713 S * 11/1875 Tweeddale D23/201
D182,725 S * 5/1958 Kaufmann D23/201
2,860,916 A * 11/1958 Hynko 239/23

3,146,906 A * 9/1964 Swett 206/203
3,169,496 A * 2/1965 Muggli et al. 108/94
D211,686 S * 7/1968 Pontrelli D23/201
D221,650 S * 8/1971 Gruber D23/201
3,691,787 A * 9/1972 Kaufmann 62/400
D263,668 S * 4/1982 Knutson D7/570
D520,102 S * 5/2006 Harbaugh D23/201
D523,278 S * 6/2006 Tse D7/304
2006/0083497 A1 * 4/2006 Esnault 392/442
2006/0283972 A1 * 12/2006 Muir et al. 239/21

* cited by examiner

Primary Examiner—Philip Hyder

Assistant Examiner—Cynthia Underwood

(74) *Attorney, Agent, or Firm*—Alix, Yale & Ristas, LLP

(57) **CLAIM**

The ornamental design for a party fountain, as shown and described.

DESCRIPTION

FIG. 1 is a front view of a party fountain showing my new design;

FIG. 2 is a left side elevational view thereof;

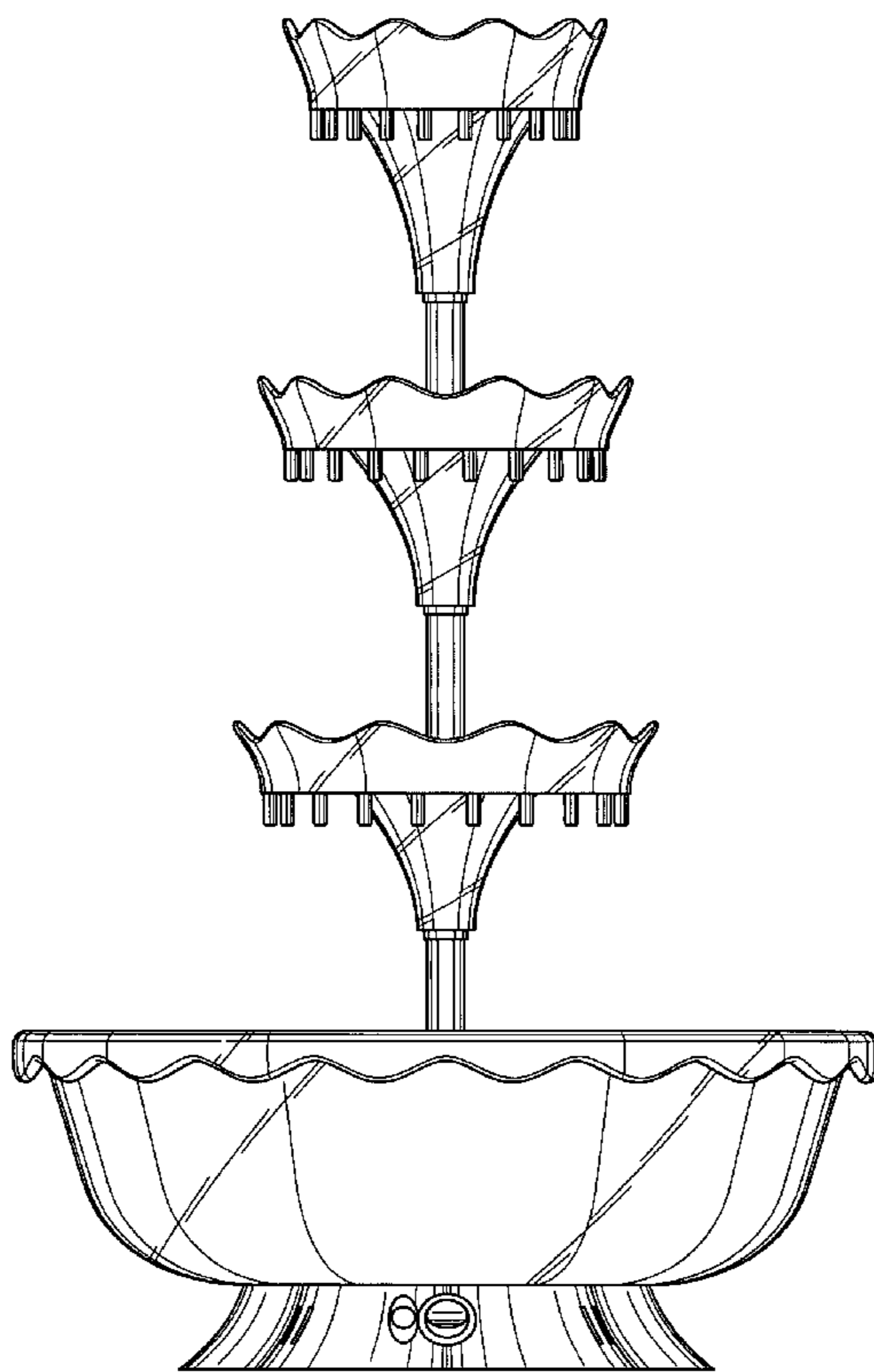
FIG. 3 is a right side elevational view thereof;

FIG. 4 is a rear view thereof;

FIG. 5 is a top plan view thereof; and,

FIG. 6 is a bottom plan view thereof.

1 Claim, 6 Drawing Sheets



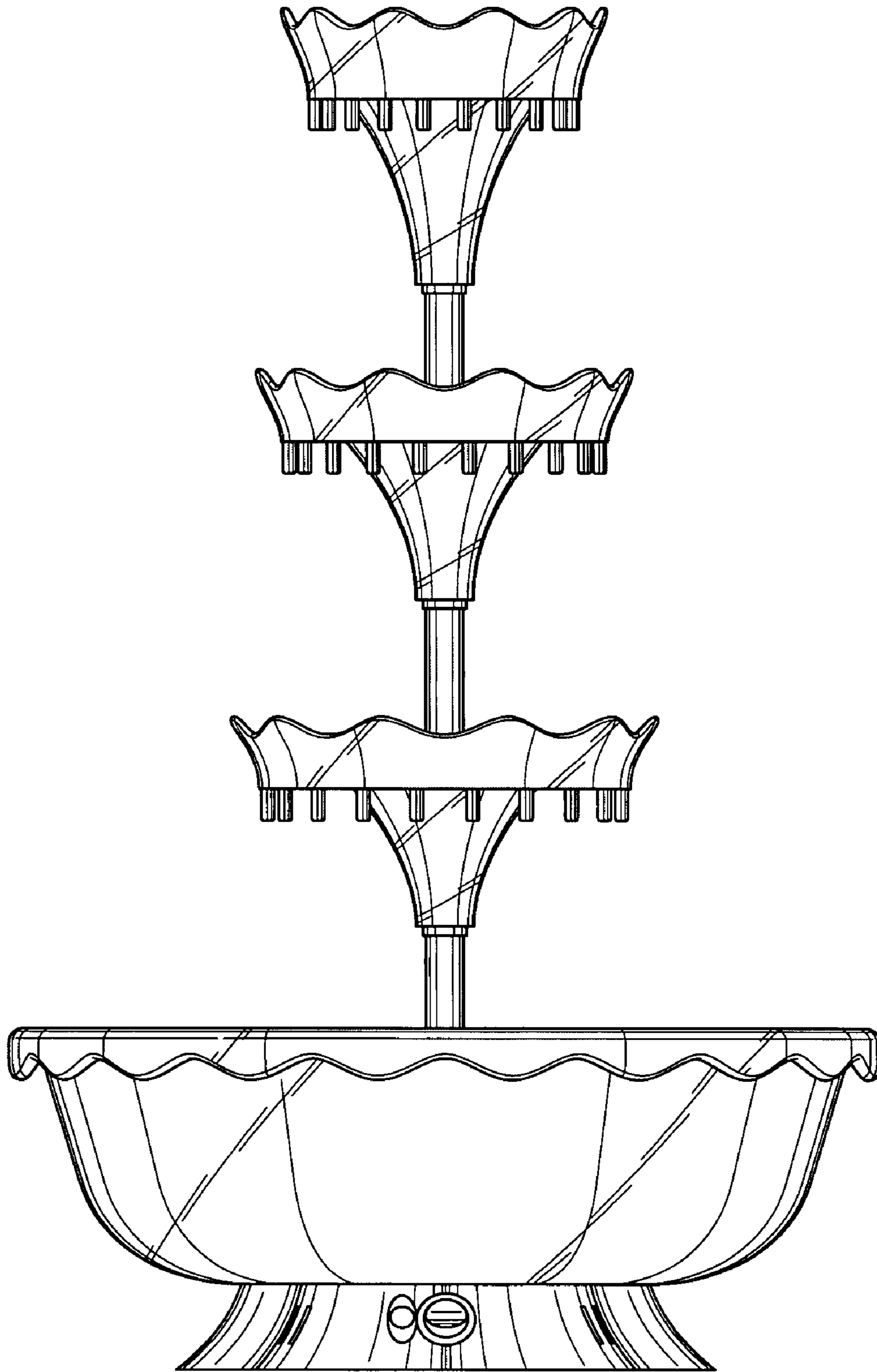


FIG. 1

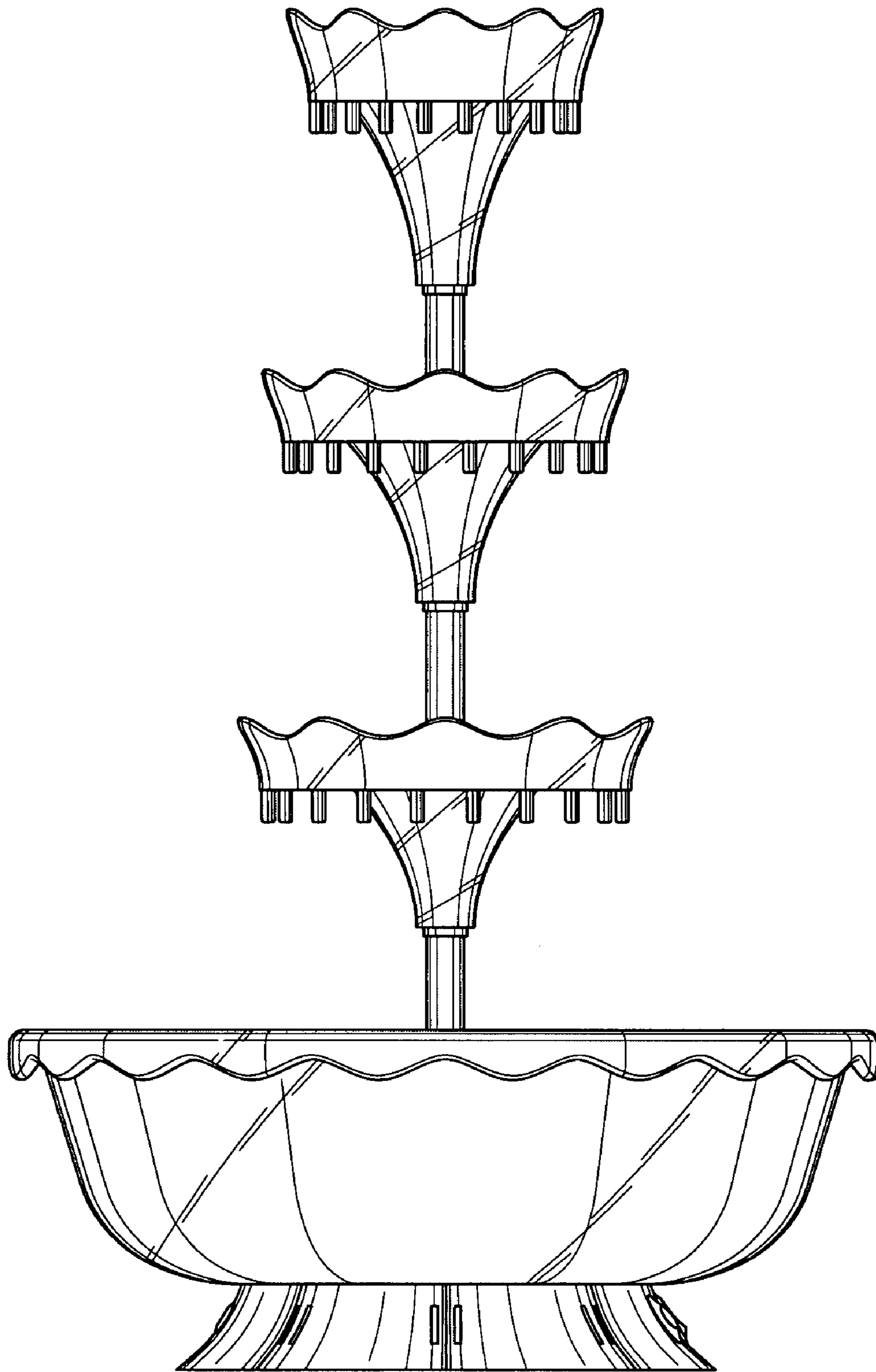


FIG. 2

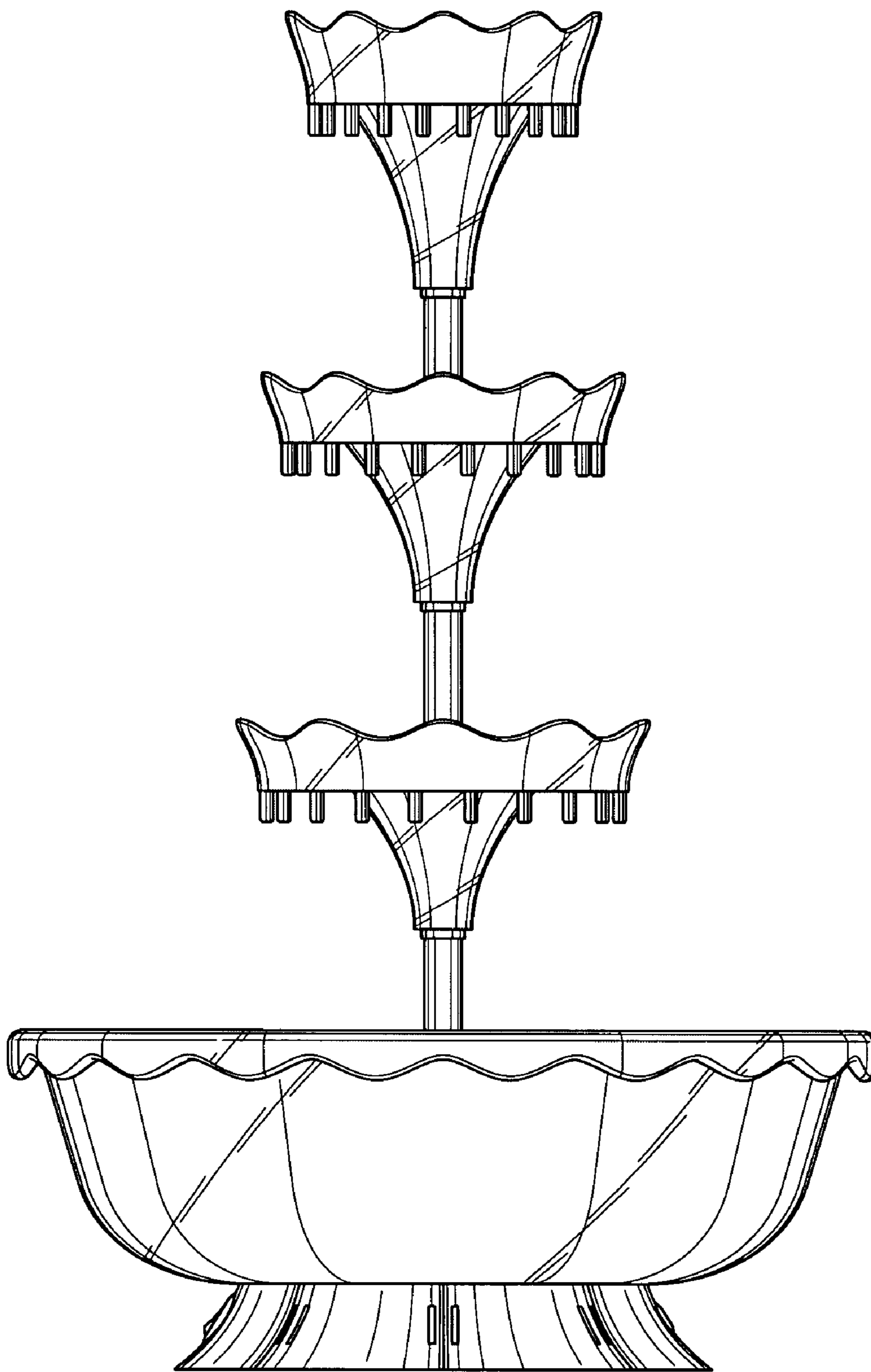


FIG. 3

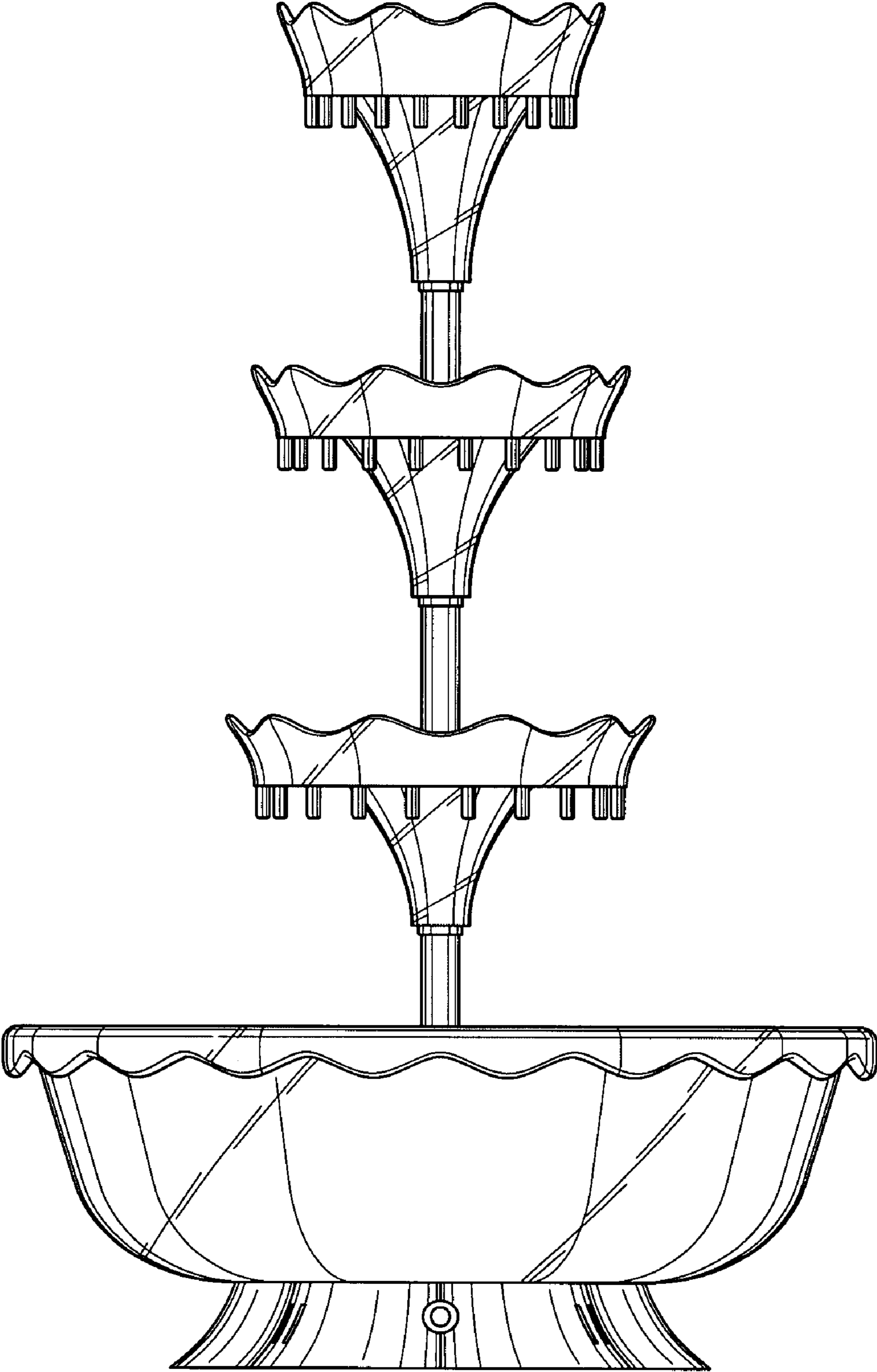


FIG. 4

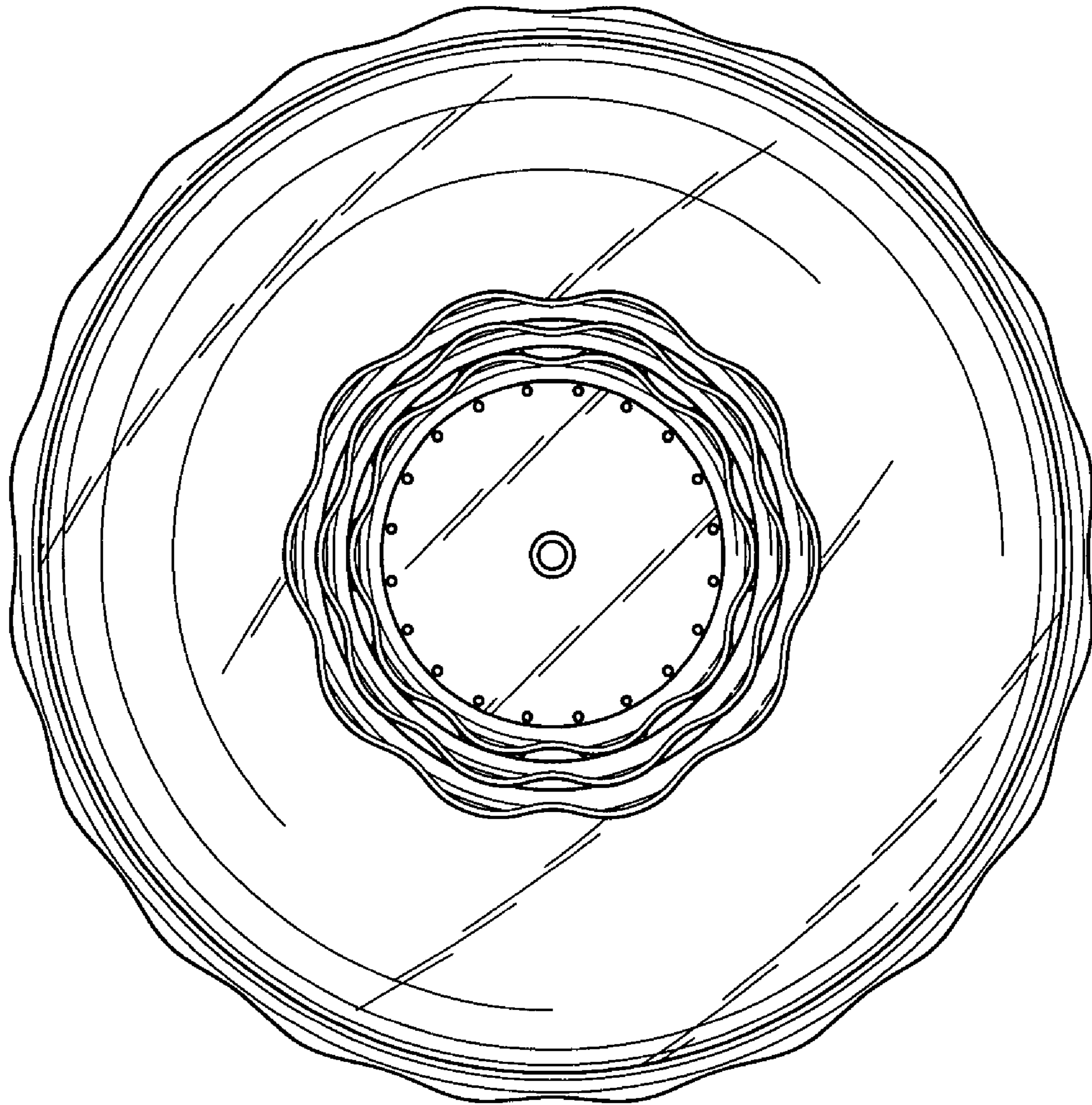


FIG. 5

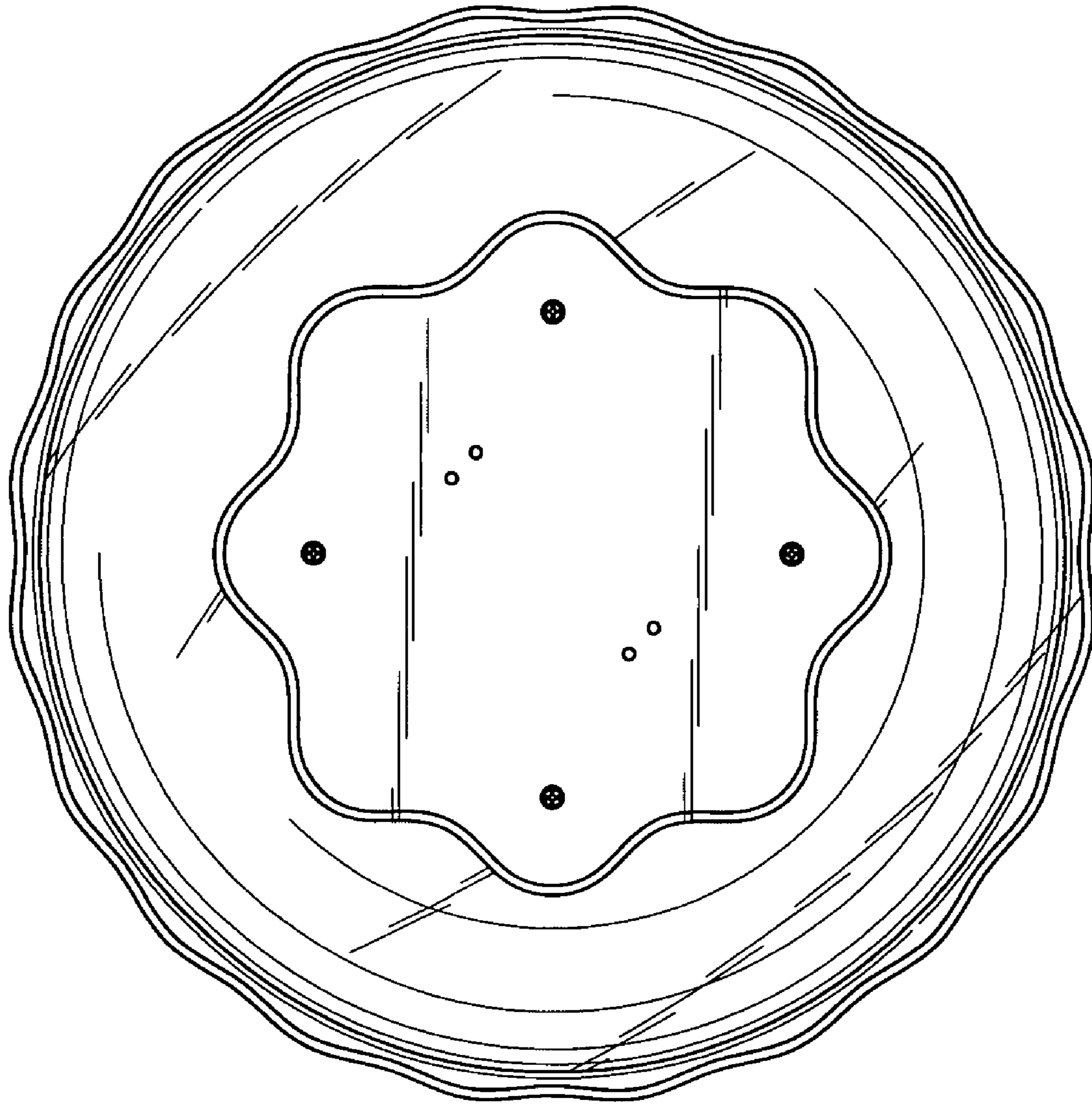


FIG. 6