



US00D573831S

(12) **United States Design Patent**
Gelardi et al.

(10) **Patent No.:** **US D573,831 S**
(45) **Date of Patent:** **** Jul. 29, 2008**

(54) **DISC PACKAGE**

(75) Inventors: **John A. Gelardi**, Kennebunkport, ME
(US); **Kenny Freitag**, Cheshire, MA
(US)

(73) Assignee: **Meadwestvao Corporation**, Glen Allen,
VA (US)

(**) Term: **14 Years**

(21) Appl. No.: **29/275,340**

(22) Filed: **Dec. 21, 2006**

Related U.S. Application Data

(63) Continuation of application No. 29/251,743, filed on
Jan. 12, 2006, and a continuation of application No.
29/246,672, filed on May 2, 2006.

(51) **LOC (8) Cl.** **06-02**

(52) **U.S. Cl.** **D6/634**

(58) **Field of Classification Search** D6/407,
D6/626-635; D3/273, 294, 295, 299-301,
D3/303; 206/209, 310-313, 751; 211/40,
211/41.1, 41.12

See application file for complete search history.

(56) **References Cited**

U.S. PATENT DOCUMENTS

D286,463 S	11/1986	Sfikas
D324,609 S	3/1992	Yasuhara et al.
D325,468 S	4/1992	Ohba
D335,215 S	5/1993	Stumpff
D347,728 S	6/1994	Taniyama
D375,015 S	10/1996	Kobayashi et al.
D375,864 S	11/1996	Taniyama
D391,437 S	3/1998	Moore et al.
D392,500 S	3/1998	McEwan
D395,190 S	6/1998	Roth et al.
D401,463 S	11/1998	Cheris et al.
D406,719 S	3/1999	Clausen
D419,359 S	1/2000	Eguchi et al.

D420,240 S	*	2/2000	Sorenson et al.	D6/632
D422,428 S	*	4/2000	Pijanowski et al.	D6/407
D422,445 S		4/2000	Markowitz	
D437,505 S		2/2001	Fraser et al.	
D440,108 S		4/2001	Derman	
D450,973 S		11/2001	Bieda	
D452,104 S		12/2001	Tang	
D452,105 S		12/2001	Chan	
D452,793 S		1/2002	Lee	
D453,081 S		1/2002	Yu	
D456,201 S		4/2002	Hummell et al.	
D459,935 S		7/2002	Takahashi et al.	
6,412,631 B2	*	7/2002	Belden, Jr.	206/308.1
D465,960 S		11/2002	Yau	
D470,707 S		2/2003	Lopez Mas	
D481,251 S		10/2003	Yau	
D484,352 S		12/2003	Palmer	

(Continued)

Primary Examiner—Charles A. Rademaker

Assistant Examiner—Charles D Hanson

(57) **CLAIM**

The ornamental design for a disc package, as shown and described.

DESCRIPTION

FIG. 1 is a top perspective view of a disc package showing our new design;

FIG. 2 is a plan view of the disc package of FIG. 1;

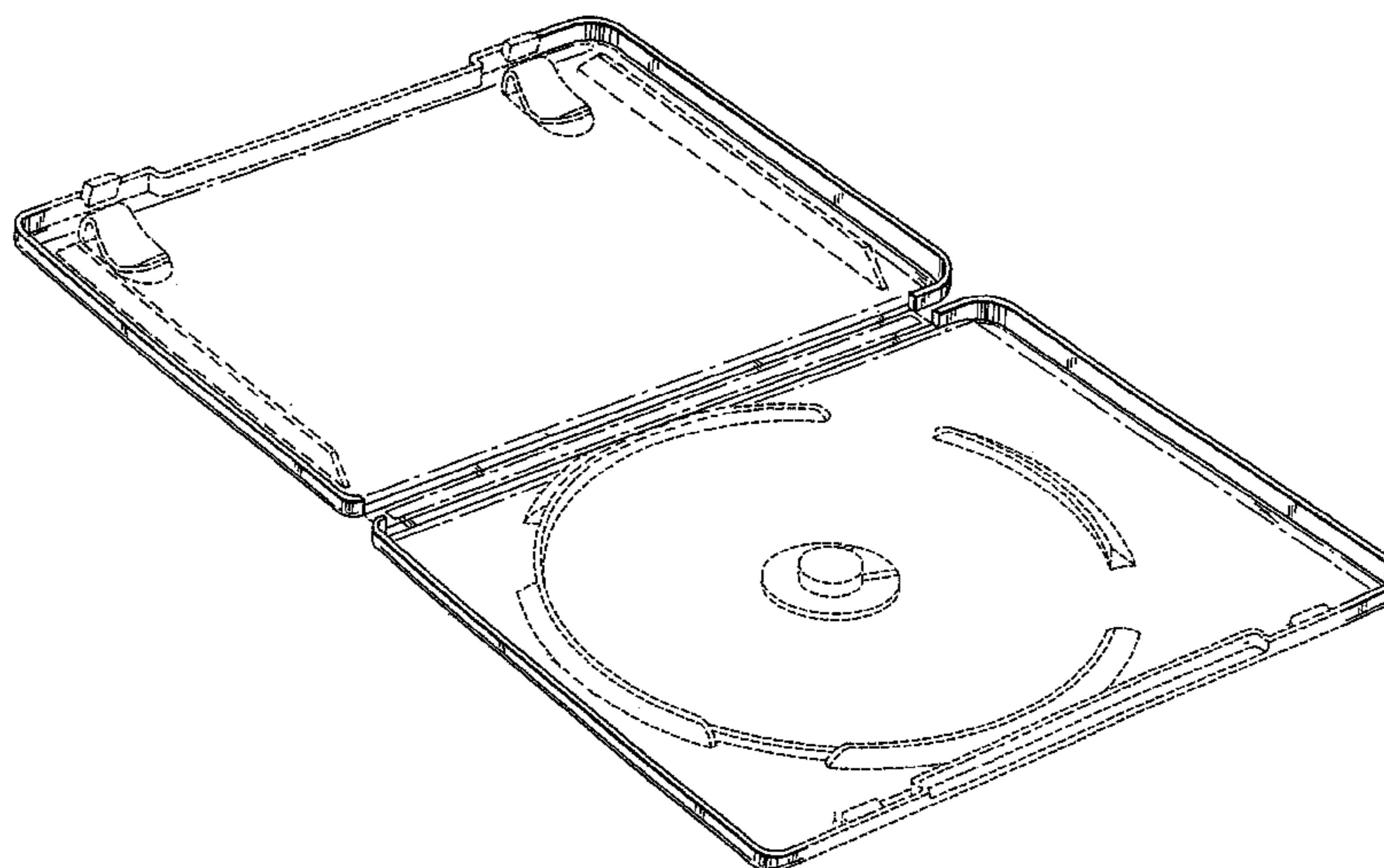
FIG. 3 is a plan view of the interior of the disc package of FIG. 1 in an open position;

FIG. 4 is a perspective view of the interior of the disc package of FIG. 1 in an open position; and,

FIG. 5 is a plan view of the exterior of the disc package of FIG. 1 in an open position.

The dash-dash broken lines which illustrate unclaimed structure and the dot-dash broken lines which define the bounds of the claimed design form no part thereof.

1 Claim, 4 Drawing Sheets



US D573,831 S

Page 2

U.S. PATENT DOCUMENTS

D492,535 S	7/2004	Hiramatsu	D518,676 S	4/2006	Lee et al.	
D495,913 S	9/2004	Hsiao	7,044,296 B2 *	5/2006	Solling	206/308.2
D505,565 S *	5/2005	Chen	D522,791 S *	6/2006	Ho	D6/634
		D6/407			* cited by examiner	

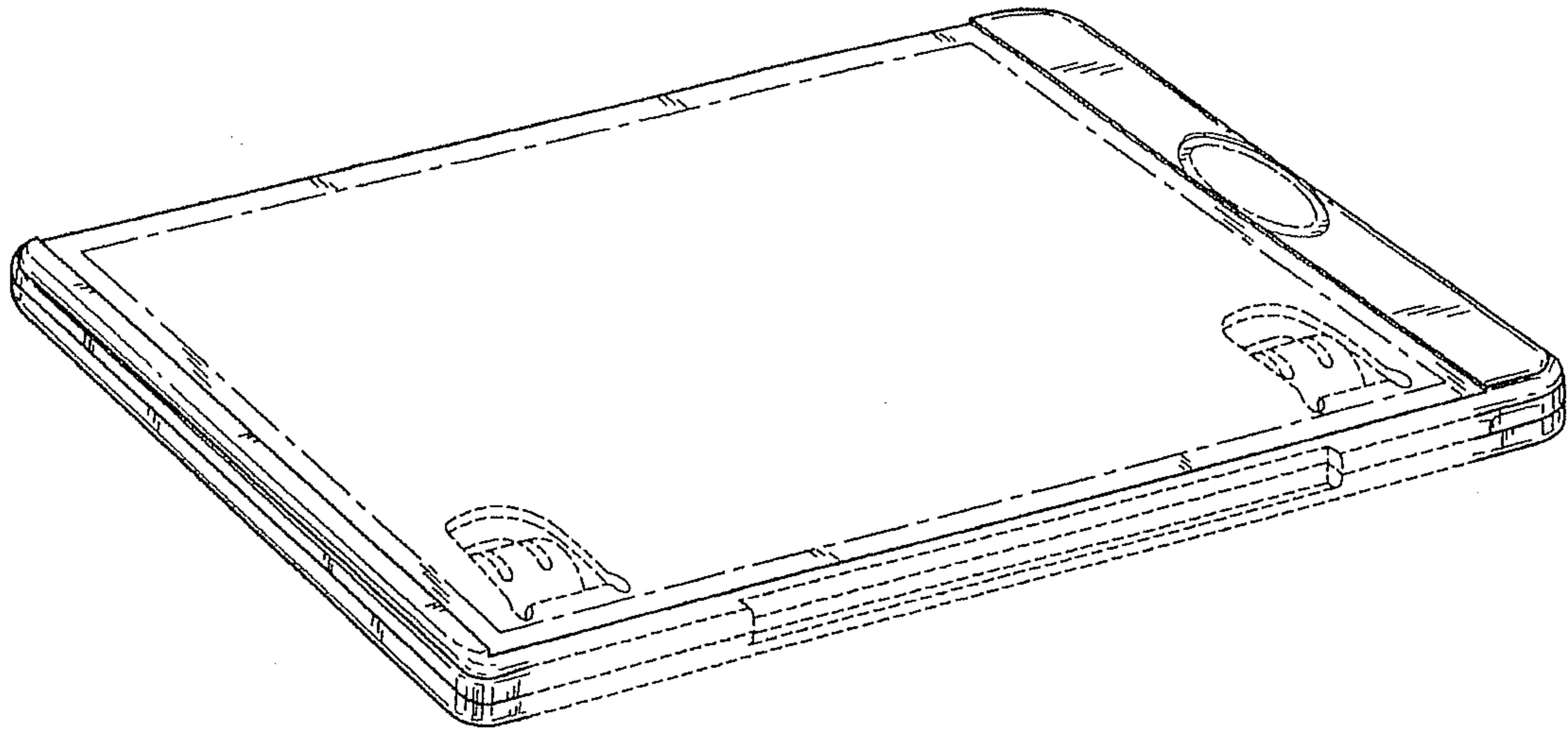


FIG. 1

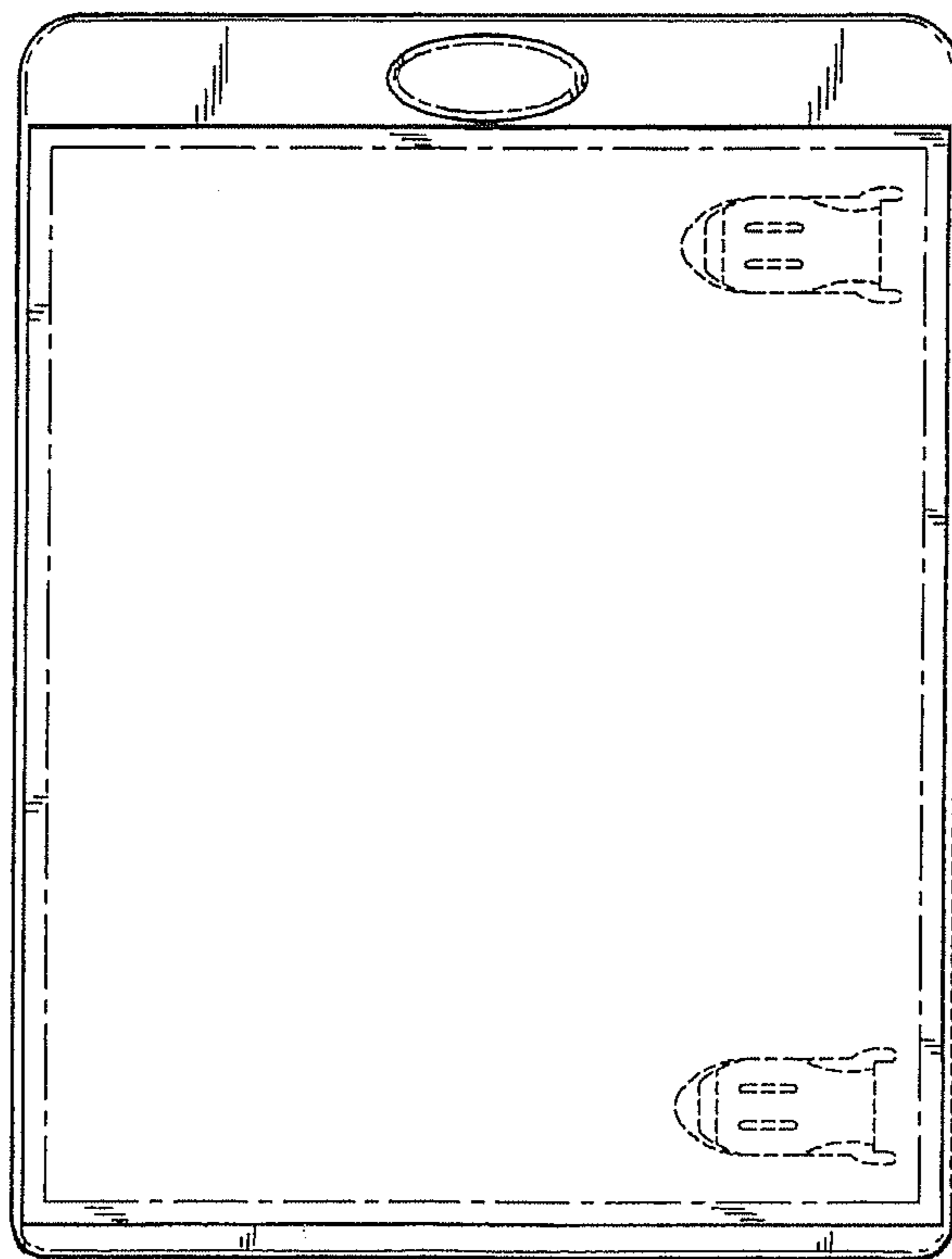


FIG. 2

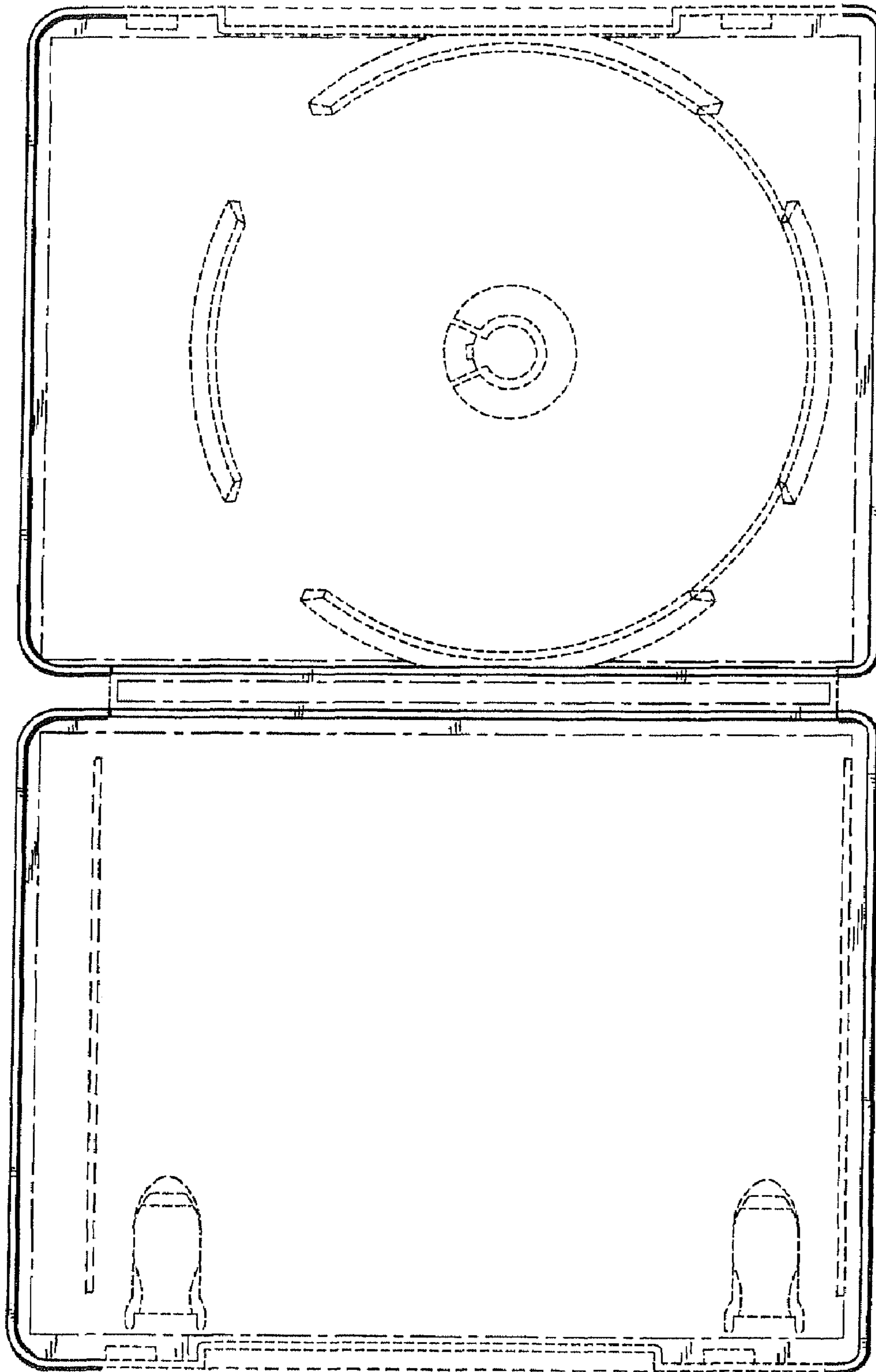


FIG. 3

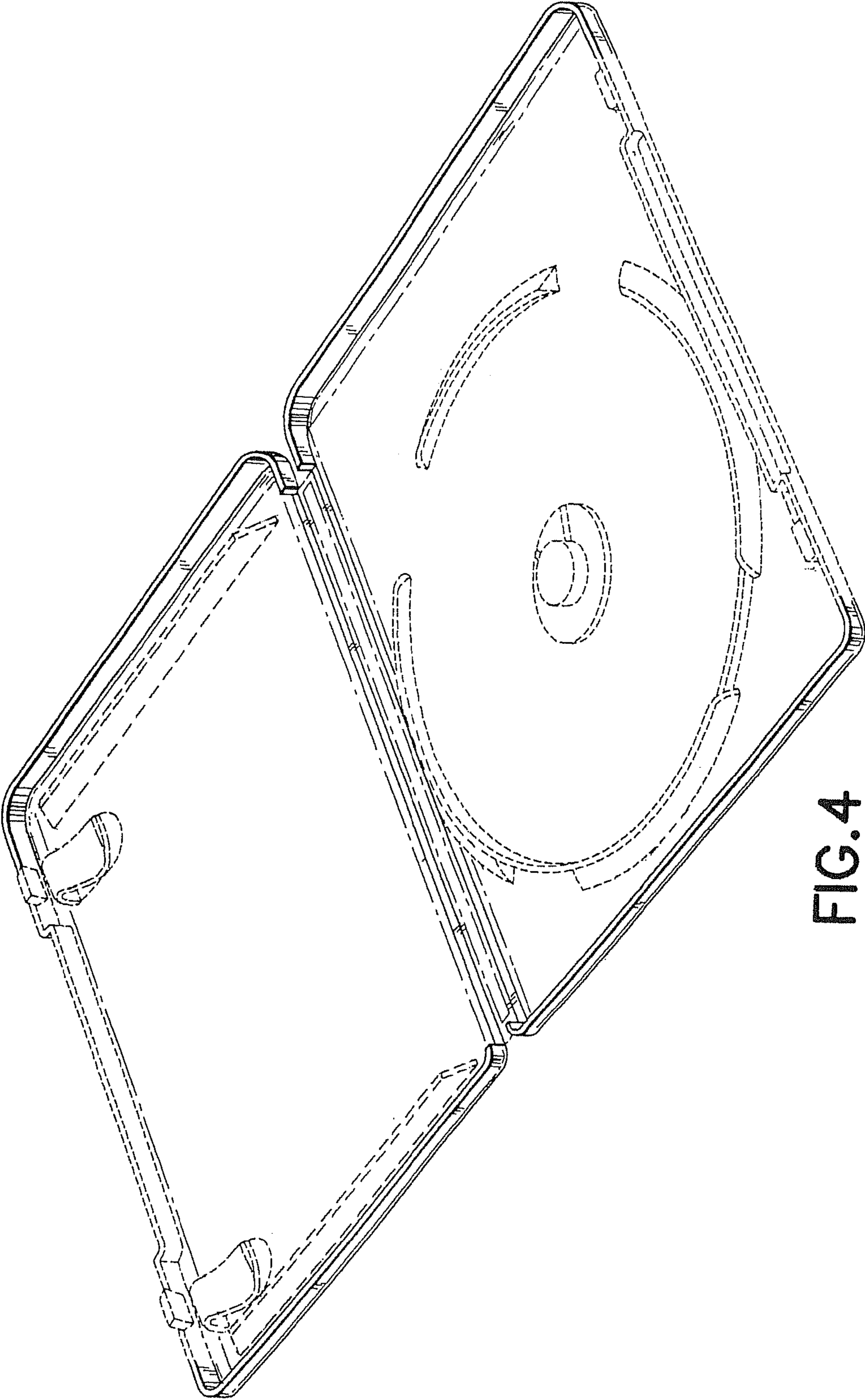


FIG.4

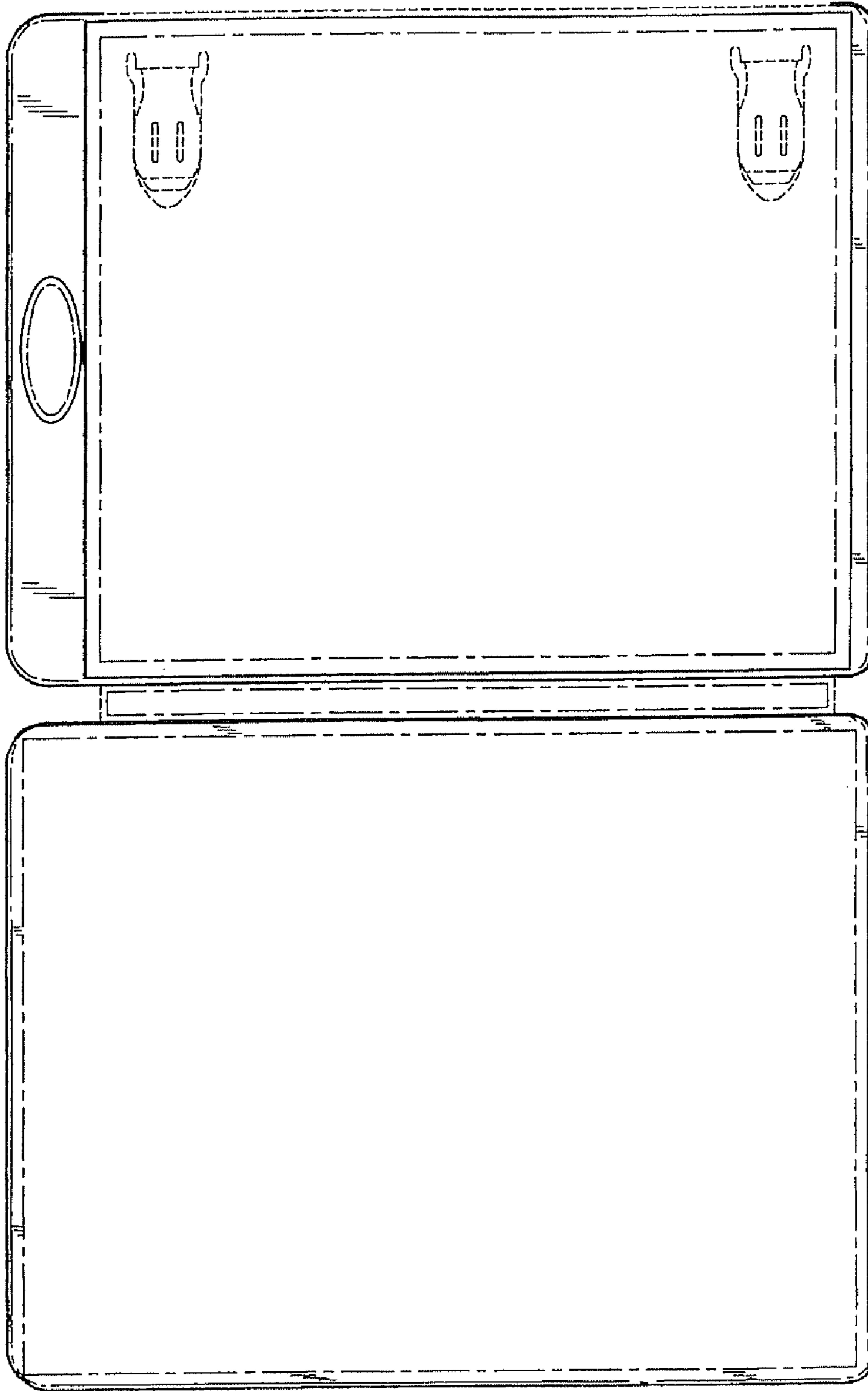


FIG. 5

UNITED STATES PATENT AND TRADEMARK OFFICE
Certificate

Patent No. D. 573,831 S

Patented: July 29, 2008

On petition requesting issuance of a certificate for correction of inventorship pursuant to 35 U.S.C. 256, it has been found that the above identified patent, through error and without any deceptive intent, improperly sets forth the inventorship.

Accordingly, it is hereby certified that the correct inventorship of this patent is: John A. Gelardi, Kennebunkport, ME (US); Kenny Freitag, Cheshire, MA (US); and Andrew Siditsky, Simi Valley, CA (US).

Signed and Sealed this Sixth Day of September 2011.

IAN SIMMONS
Supervisory Patent Examiner
Art Unit 2916
Technology Center 2900