



US00D573829S

(12) **United States Design Patent**
Bickler et al.

(10) **Patent No.:** **US D573,829 S**
(45) **Date of Patent:** **** Jul. 29, 2008**

(54) **MAGAZINE RACK**

(75) Inventors: **Marc Bickler**, Charlotte, NC (US);
Victor Hoernig, Lowell, IN (US);
Geraint Krumpe, Chicago, IL (US)

(73) Assignee: **Brasstech, Inc.**, Santa Ana, CA (US)

(**) Term: **14 Years**

(21) Appl. No.: **29/279,558**

(22) Filed: **May 3, 2007**

(51) **LOC (8) Cl.** **06-04**

(52) **U.S. Cl.** **D6/553**

(58) **Field of Classification Search** D6/553,
D6/540, 567, 574; D3/201, 304, 315, 901;
206/77.1, 5, 207, 349, 361, 363, 812; 211/13.1,
211/85.1, 85.12, 70.6, 86.01, 87.01, 119.009
See application file for complete search history.

(56) **References Cited**

U.S. PATENT DOCUMENTS

D370,029 S * 5/1996 Green et al. D19/90
D419,301 S * 1/2000 Hampshire D3/304

D498,264 S * 11/2004 Chen et al. D19/90
D532,235 S * 11/2006 Snell D6/567
D534,024 S * 12/2006 Dretzka D6/567

* cited by examiner

Primary Examiner—Brian N Vinson

(74) *Attorney, Agent, or Firm*—Edgar A. Zarins; Lloyd D. Doigan

(57) **CLAIM**

The ornamental design for a magazine rack, as shown and described.

DESCRIPTION

FIG. 1 is a front perspective view of a magazine rack showing our design;

FIG. 2 is a top plan view thereof;

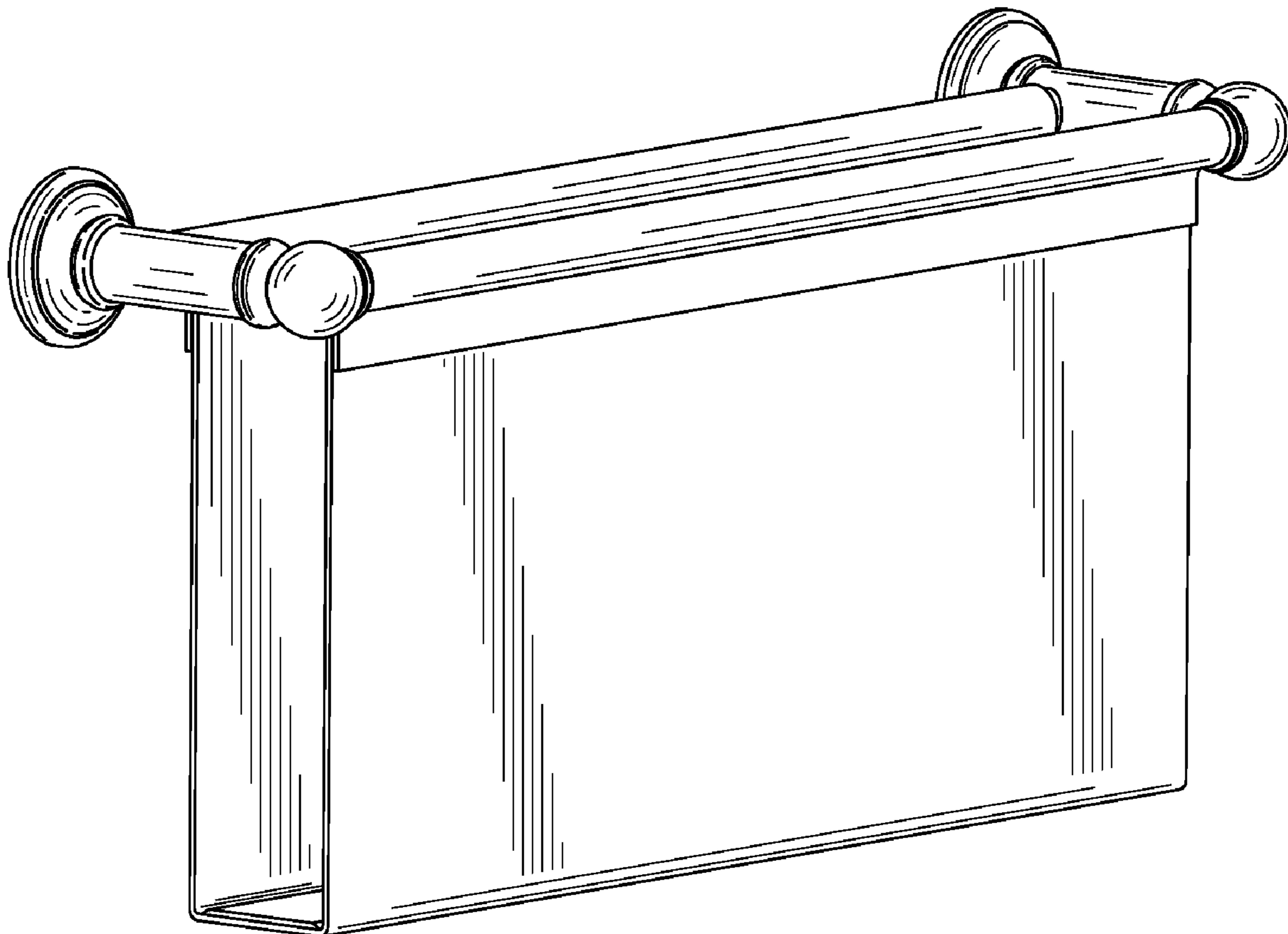
FIG. 3 is a bottom plan view thereof;

FIG. 4 is a right side elevational view thereof;

FIG. 5 is a left side elevational view thereof; and,

FIG. 6 is a front elevational view thereof.

1 Claim, 6 Drawing Sheets



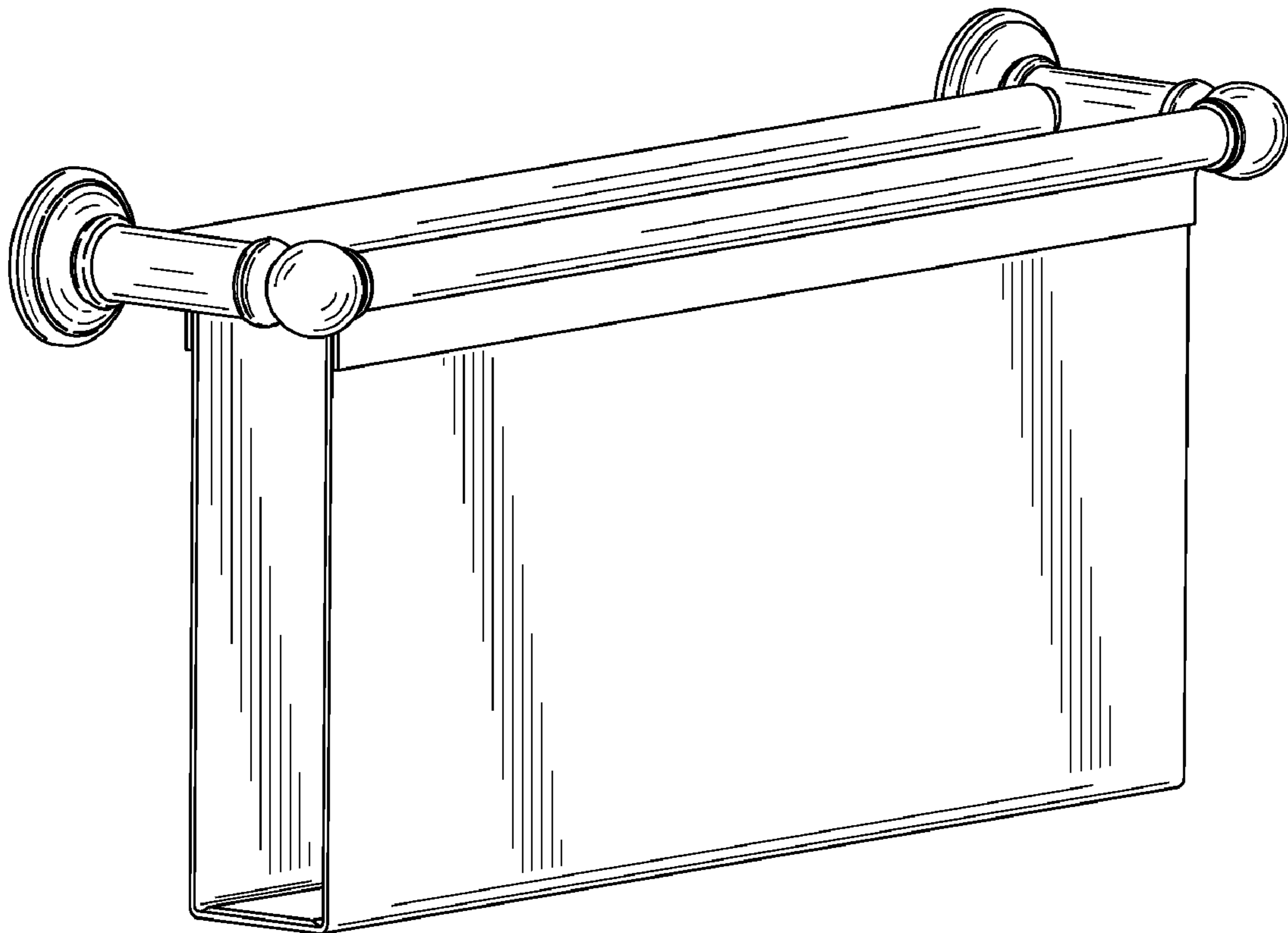


FIG. 1



FIG. 2

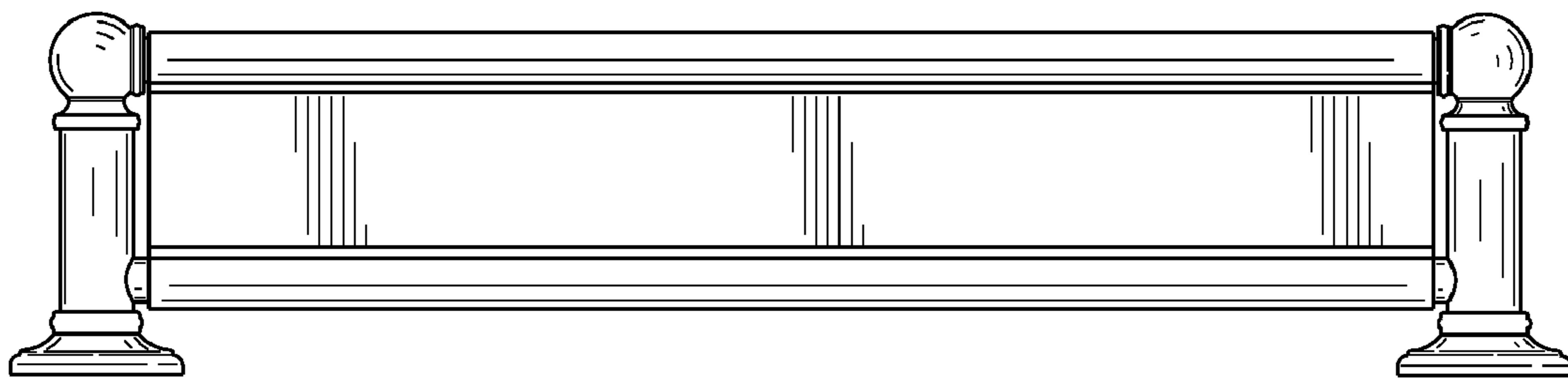


FIG. 3

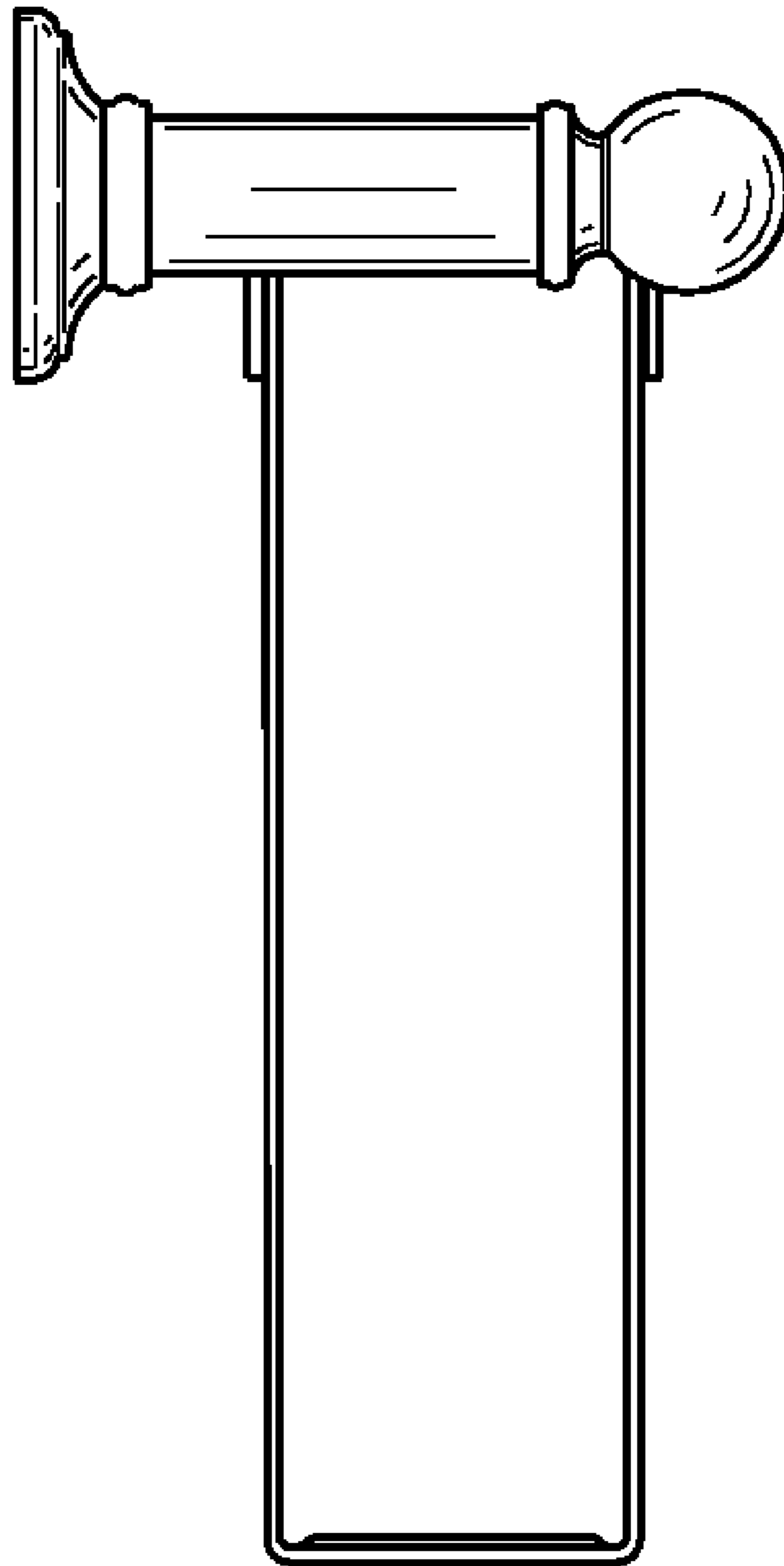


FIG. 4

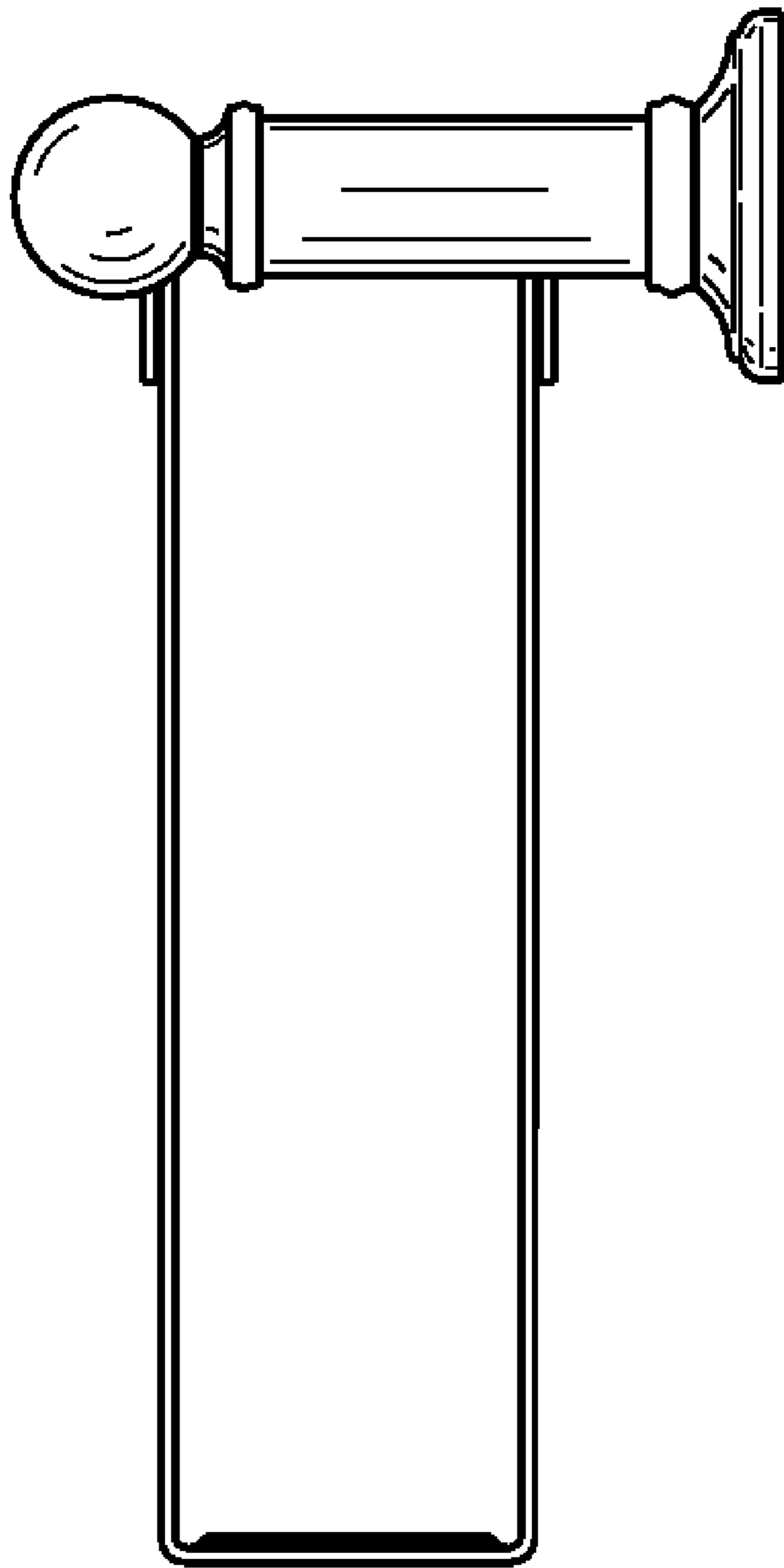


FIG. 5

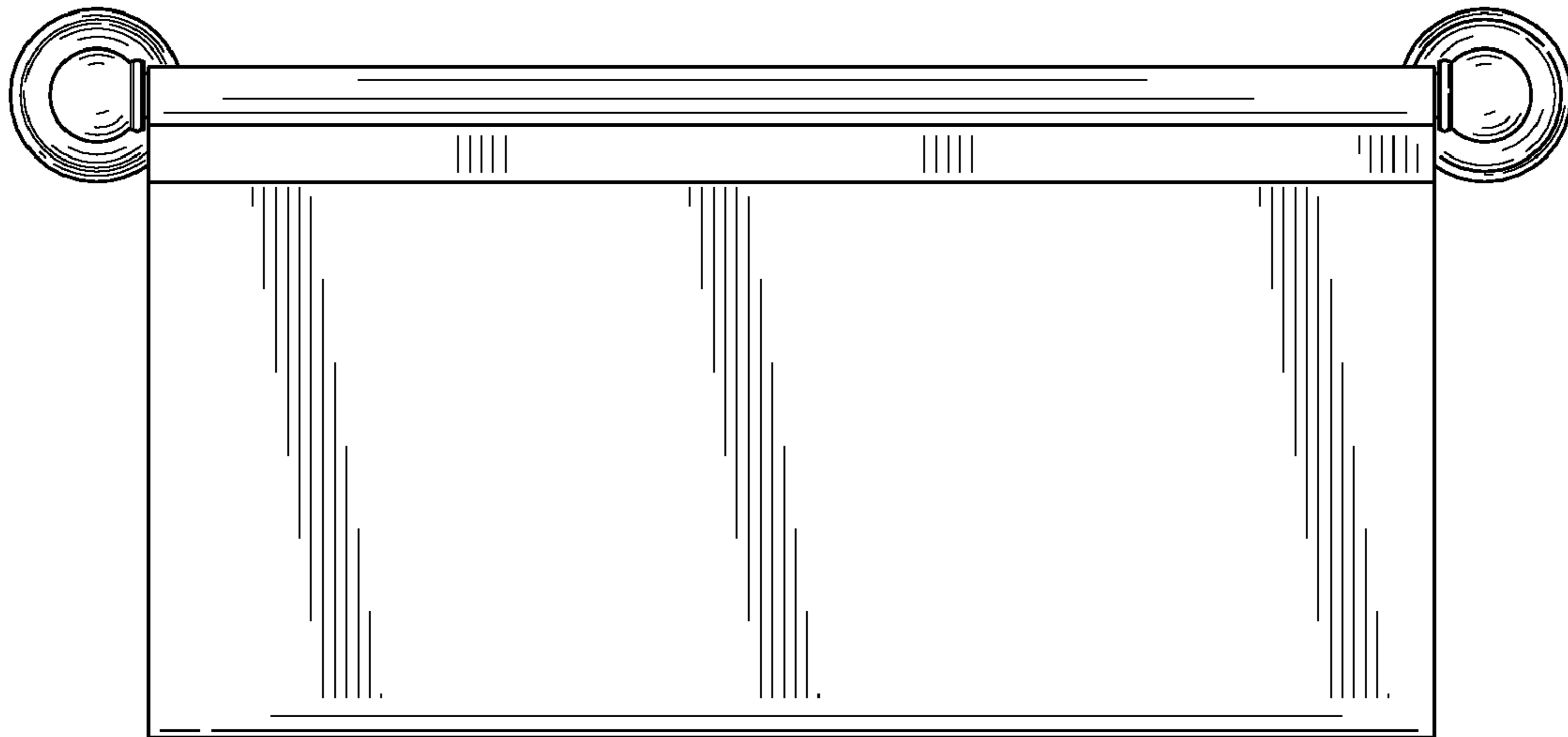


FIG. 6