



US00D573828S

(12) **United States Design Patent**  
**Clokey et al.**

(10) **Patent No.:** **US D573,828 S**  
(45) **Date of Patent:** **\*\* Jul. 29, 2008**

(54) **PEGBOARD MODULE AND ASSEMBLY THEREOF**

6,530,486 B1 \* 3/2003 Batting et al. .... 211/86.01  
D512,254 S \* 12/2005 Ottens ..... D6/553

\* cited by examiner

(75) Inventors: **Robin Clokey**, North Wales, PA (US);  
**John Paul Prego**, Willow Grove, PA (US);  
**Heather Moffitt**, Richlandtown, PA (US);  
**Todd Davis**, Dublin, PA (US)

*Primary Examiner*—Brian N Vinson

(74) *Attorney, Agent, or Firm*—Volpe and Koenig, P.C.

(73) Assignee: **Dorman Products, Inc.**, Colmar, PA (US)

(57) **CLAIM**

The ornamental design for pegboard module and assembly thereof, as shown and described.

(\*\*) Term: **14 Years**

**DESCRIPTION**

(21) Appl. No.: **29/265,056**

FIG. 1 is a front perspective view of a pegboard module according to the present invention;

(22) Filed: **Aug. 24, 2006**

FIG. 2 is a rear perspective view of the pegboard module of FIG. 1;

(51) **LOC (8) Cl.** ..... **06-04**

(52) **U.S. Cl.** ..... **D6/553**

(58) **Field of Classification Search** ..... D6/553,  
D6/567, 569–571; 206/6.1; 211/13.1, 59.1,  
211/86.01, 87.01; 248/309.1, 314; 312/245  
See application file for complete search history.

FIG. 3 is a top plan view of the pegboard module of FIG. 1;

FIG. 4 is a front elevated view of the pegboard module of FIG. 1;

FIG. 5 is a rear elevated view of the pegboard module of FIG. 1;

(56) **References Cited**

**U.S. PATENT DOCUMENTS**

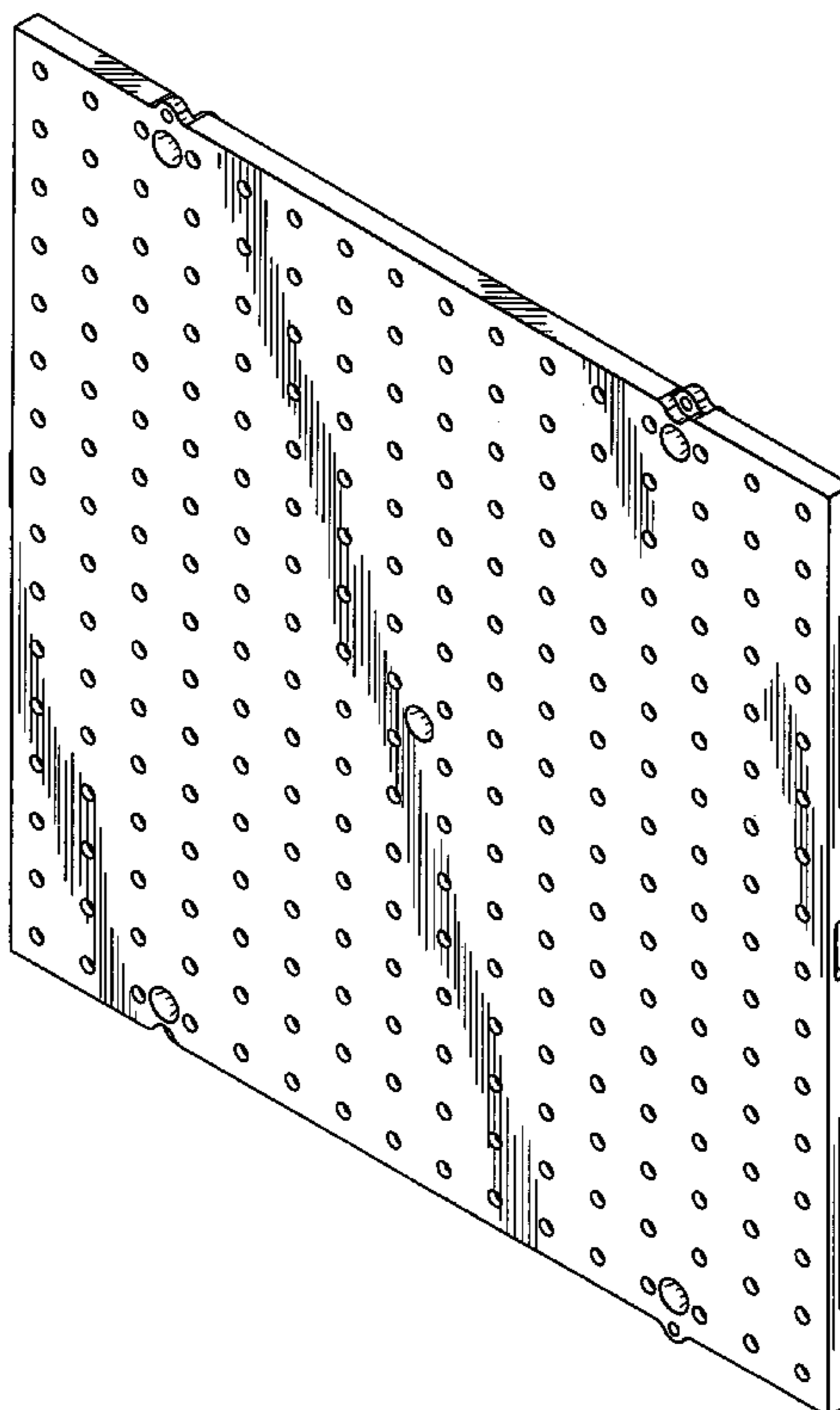
4,932,538 A \* 6/1990 Gambello ..... 211/87.01  
5,094,352 A \* 3/1992 Green et al. .... 211/59.1  
D334,672 S \* 4/1993 Bradwell et al. .... D6/553  
5,927,517 A \* 7/1999 Lipman et al. .... 211/59.1  
D438,741 S \* 3/2001 Murphy ..... D6/553  
D446,414 S \* 8/2001 Schafer ..... D6/553

FIG. 6 is a bottom plan view of the pegboard module of FIG. 1;

FIG. 7 is a right side elevation view of the pegboard module of FIG. 1; and,

FIG. 8 is a left side elevation view of the pegboard module of FIG. 1.

**1 Claim, 5 Drawing Sheets**



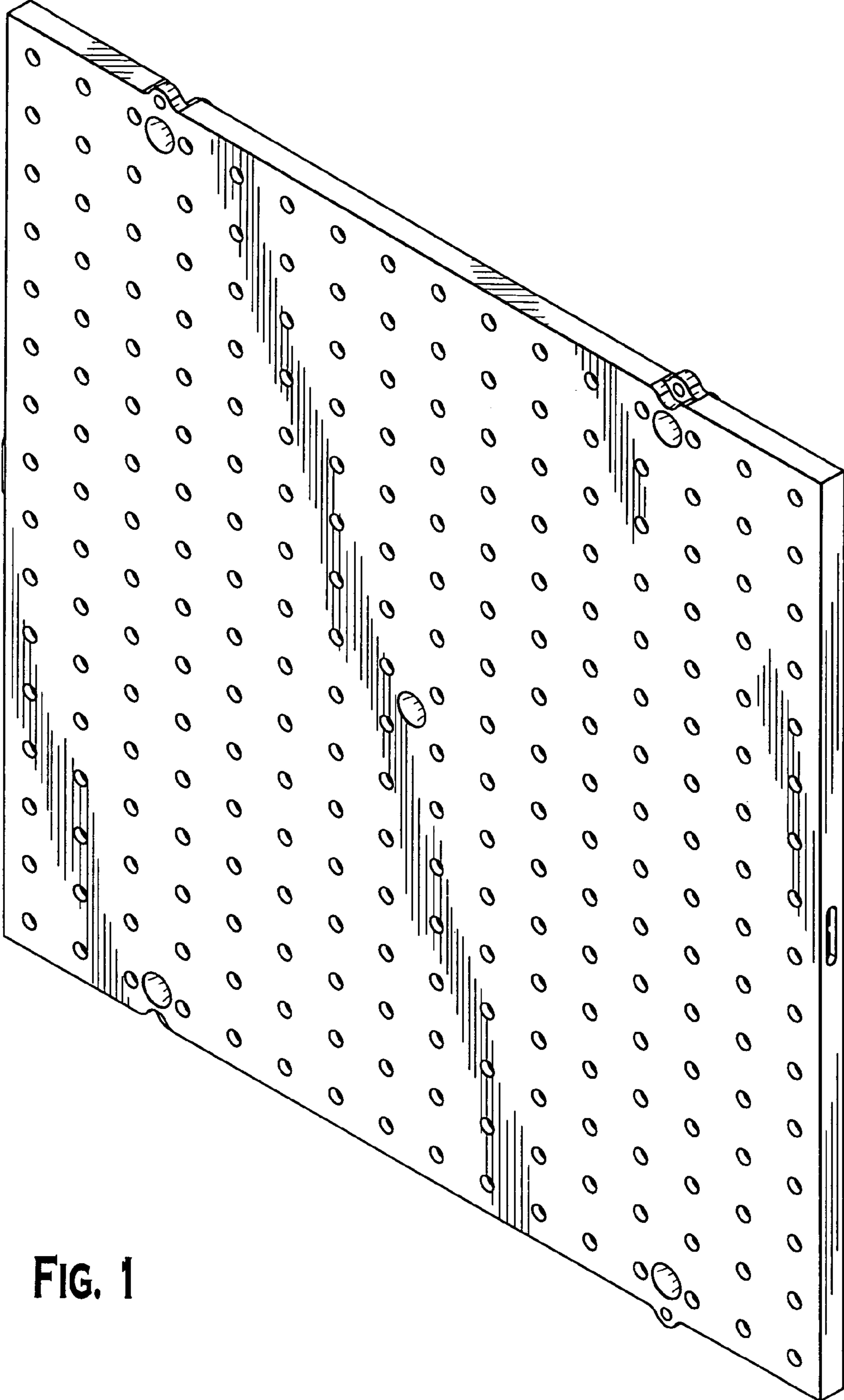


FIG. 1

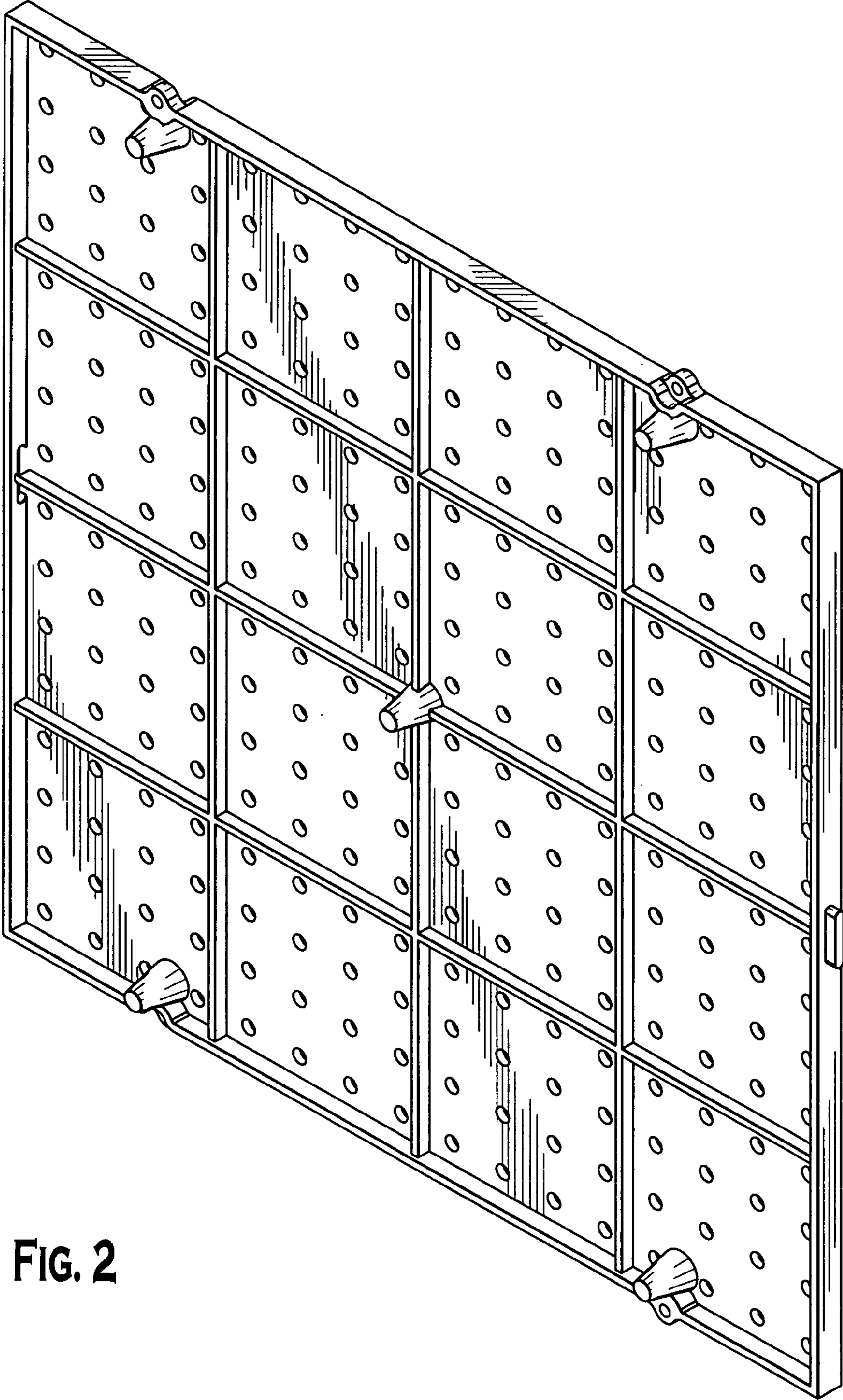


FIG. 2

FIG. 3



FIG. 4

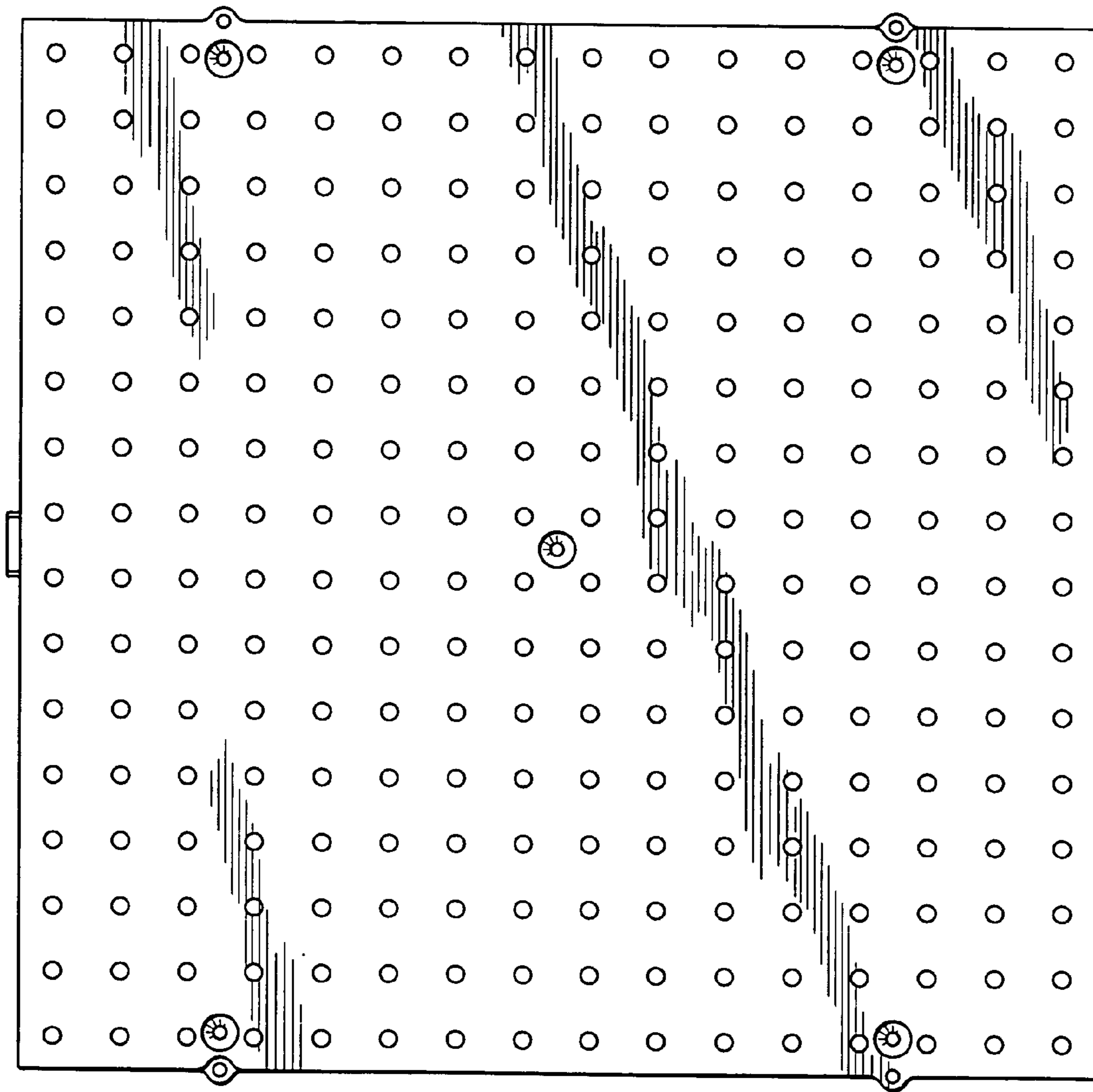


FIG. 5

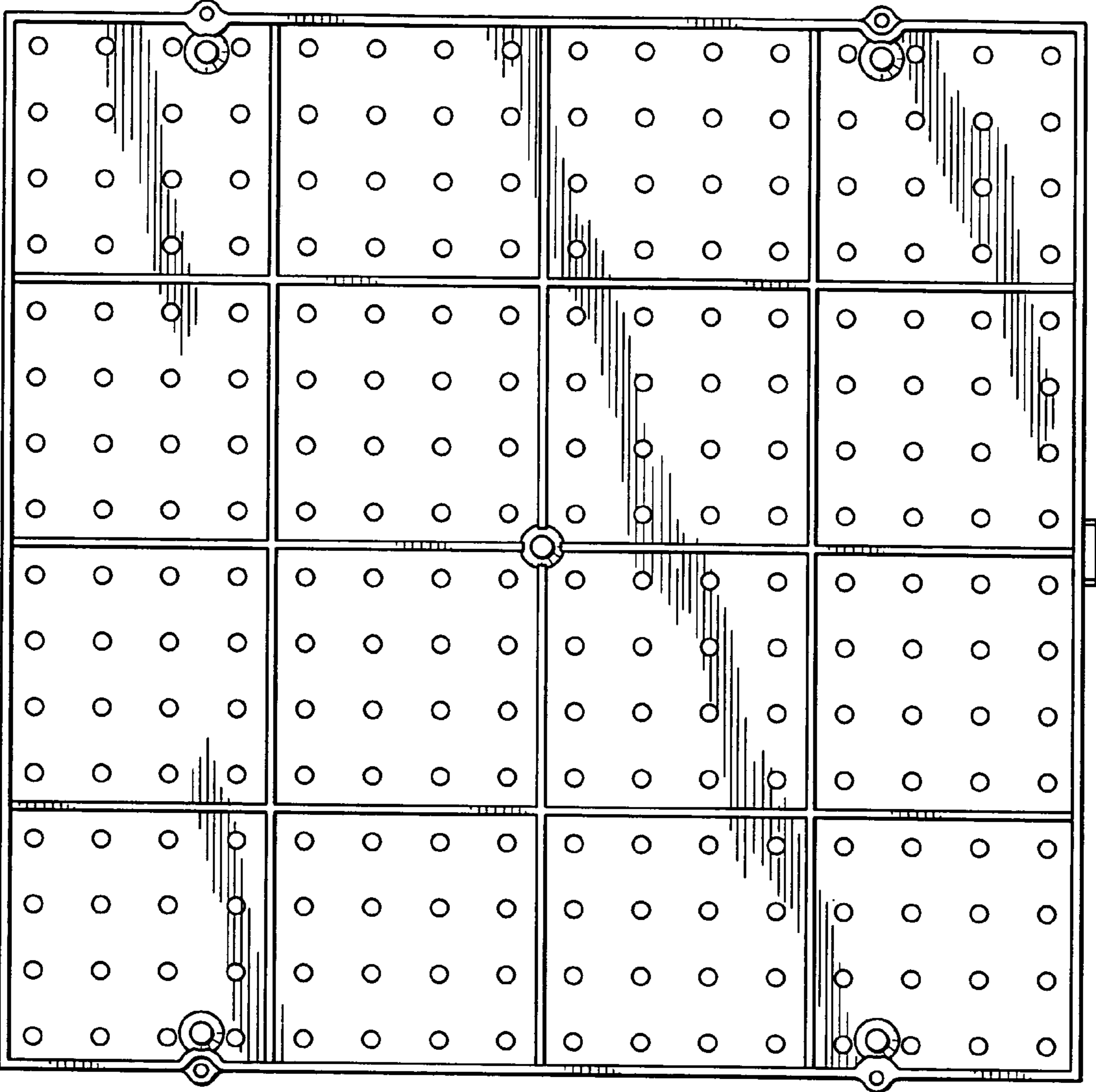
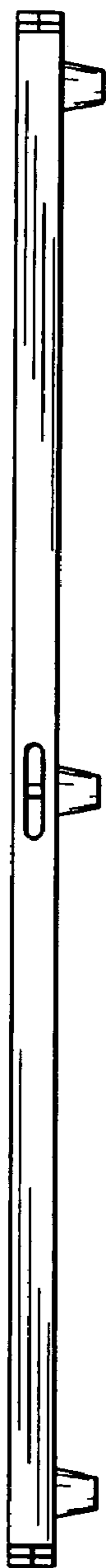


FIG. 6



**FIG. 7**



**FIG. 8**

