



US00D573827S

(12) **United States Design Patent**  
**Taggart et al.**

(10) **Patent No.:** **US D573,827 S**  
(45) **Date of Patent:** **\*\* Jul. 29, 2008**

(54) **RACK AND BASE**

(75) Inventors: **Terry Taggart**, Parker, CO (US);  
**Charlie Dittrick**, Parker, CO (US);  
**Angel Preciado**, Parker, CO (US); **Doug Wathen**, Parker, CO (US); **Carlos Babb**, Parker, CO (US); **Eric Sanchez**, Parker, CO (US)

(73) Assignee: **Taggart Enterprises Inc.**, Parker, CO (US)

(\*\*) Term: **14 Years**

(21) Appl. No.: **29/298,575**

(22) Filed: **Dec. 7, 2007**

(51) **LOC (8) Cl.** ..... **08-08**

(52) **U.S. Cl.** ..... **D6/552**

(58) **Field of Classification Search** ..... D6/552;  
211/13.1, 60.1, 64, 70.2, 70.6, 70.8; 248/309.1,  
248/310, 312, 314

See application file for complete search history.

(56) **References Cited**

U.S. PATENT DOCUMENTS

D429,936 S *	8/2000	McCormick et al.	.....	D6/552
D440,803 S *	4/2001	McCormick et al.	.....	D6/552
D530,960 S *	10/2006	Osiecki et al.	.....	D6/552
D550,492 S *	9/2007	Fagundes-Daher	.....	D6/552

\* cited by examiner

Primary Examiner—Brian N Vinson

(74) Attorney, Agent, or Firm—Fennemore Craig, P.C.

(57) **CLAIM**

The ornamental design for a rack and base, as shown and described.

**DESCRIPTION**

FIG. 1 is a first perspective view of a rack and base in an environment in accordance with our new design;

FIG. 2 is the first perspective view of the rack and base absent the environment in accordance with our new design;

FIG. 3 is a second perspective view of the rack and base in accordance with our new design;

FIG. 4 is a front view of the rack and base in accordance with our new design;

FIG. 5 is rear view of the rack and base in accordance with our new design;

FIG. 6 is a first side elevational view of the rack and base in accordance with our new design;

FIG. 7 is a second side elevational view of the rack and base in accordance with our new design;

FIG. 8 is a top plan view of the rack and base in accordance with our new design;

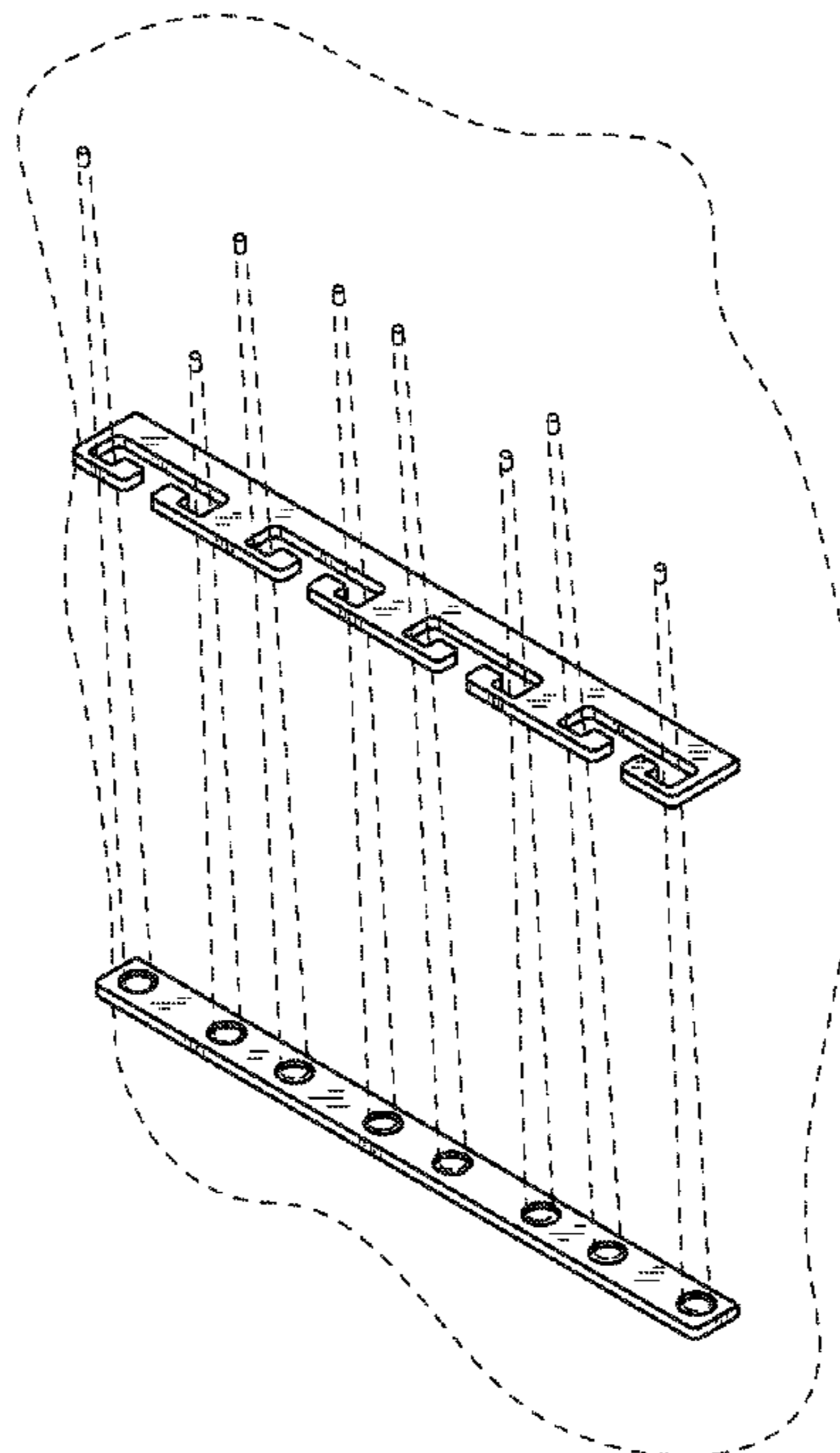
FIG. 9 is a bottom plan view of the rack and base in accordance with our new design;

FIG. 10 is a magnified view of a portion of the base as shown in FIG. 2 in accordance with our new design; and,

FIG. 11 is a cross-sectional view of the portion of the base shown in FIG. 10 in accordance with our new design.

The broken line showing of environment in the Figures is for illustrative purposes only and forms no part of the claimed design.

**1 Claim, 8 Drawing Sheets**



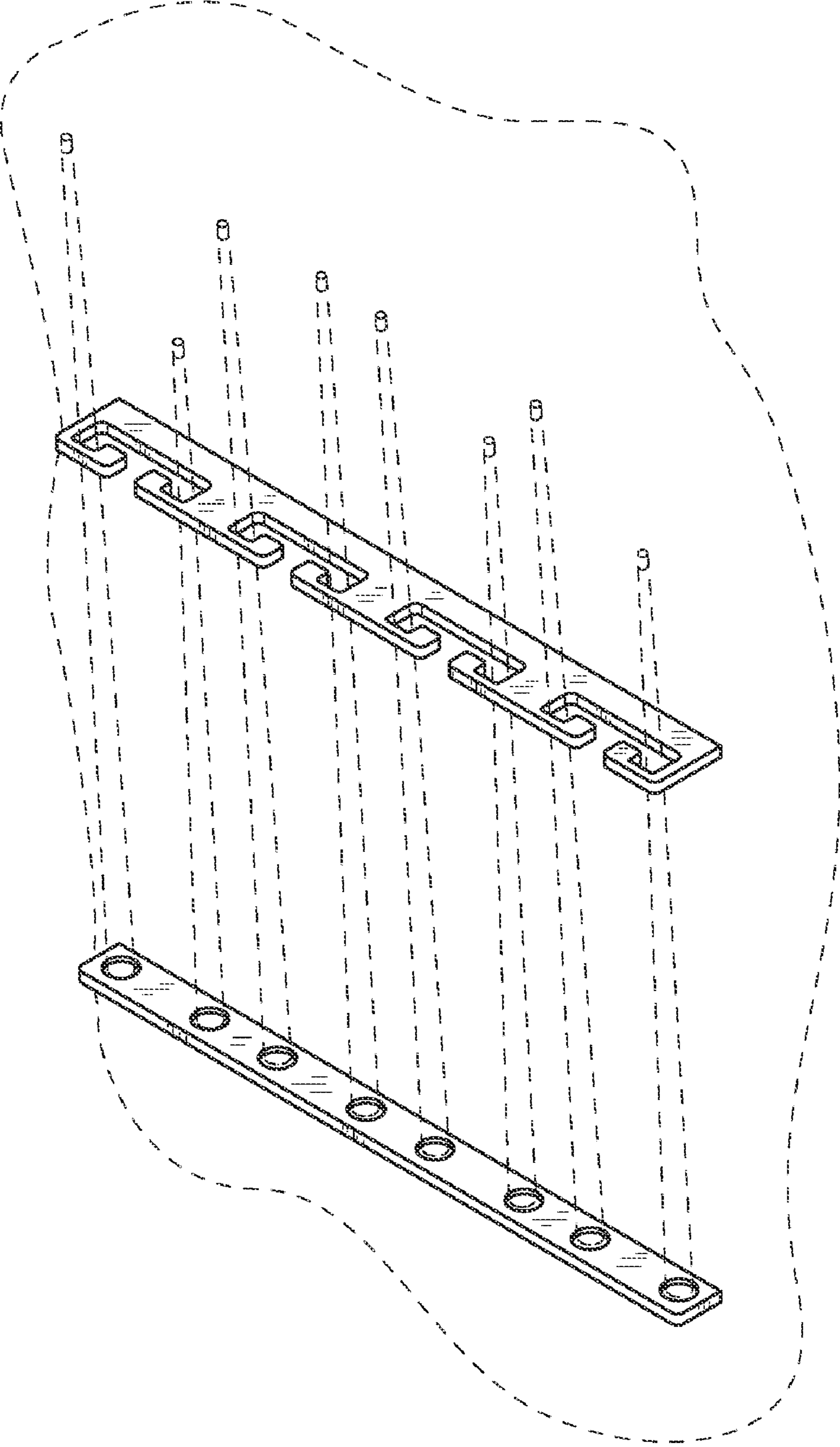


FIG. 1

FIG.2

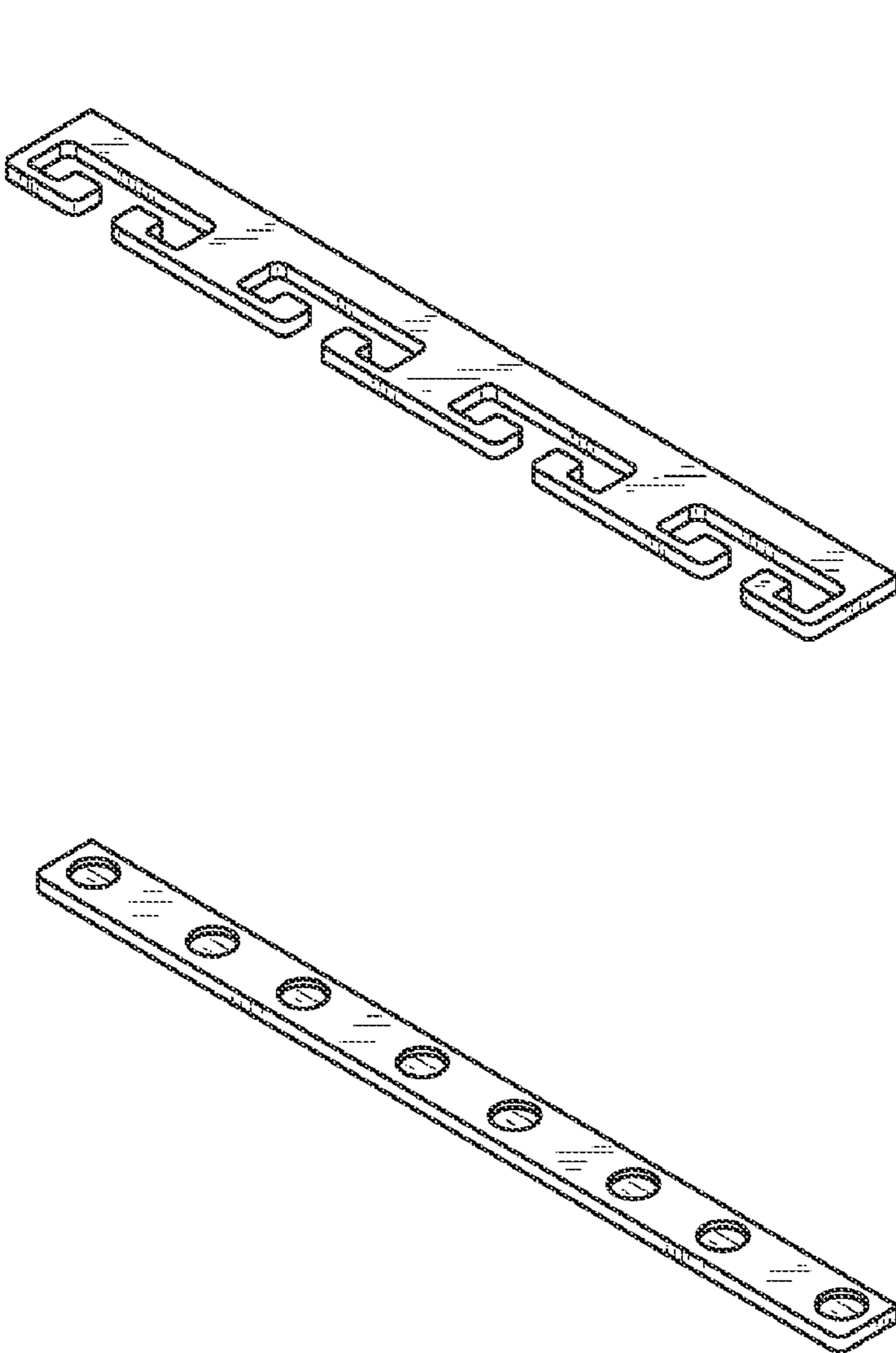
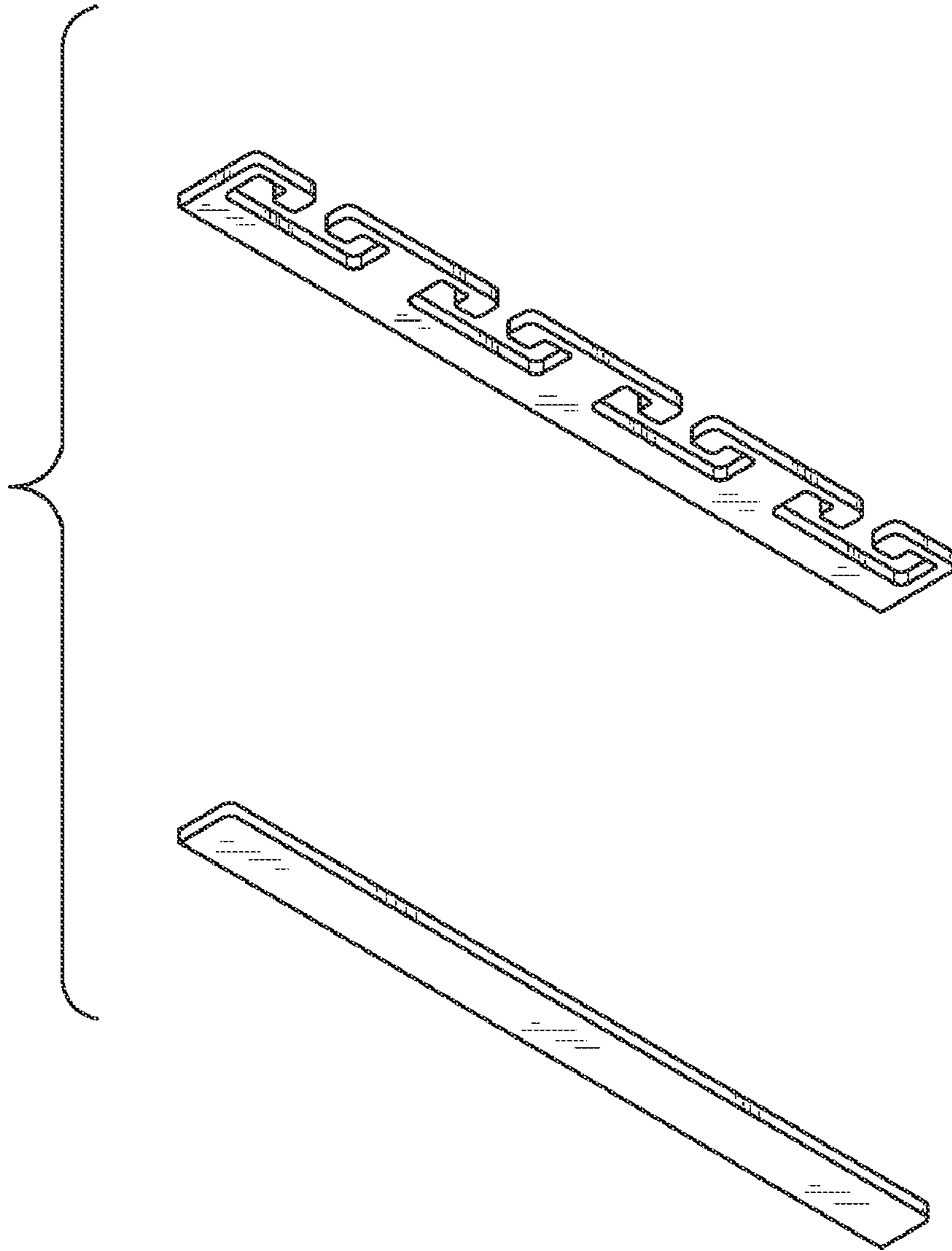


FIG.3



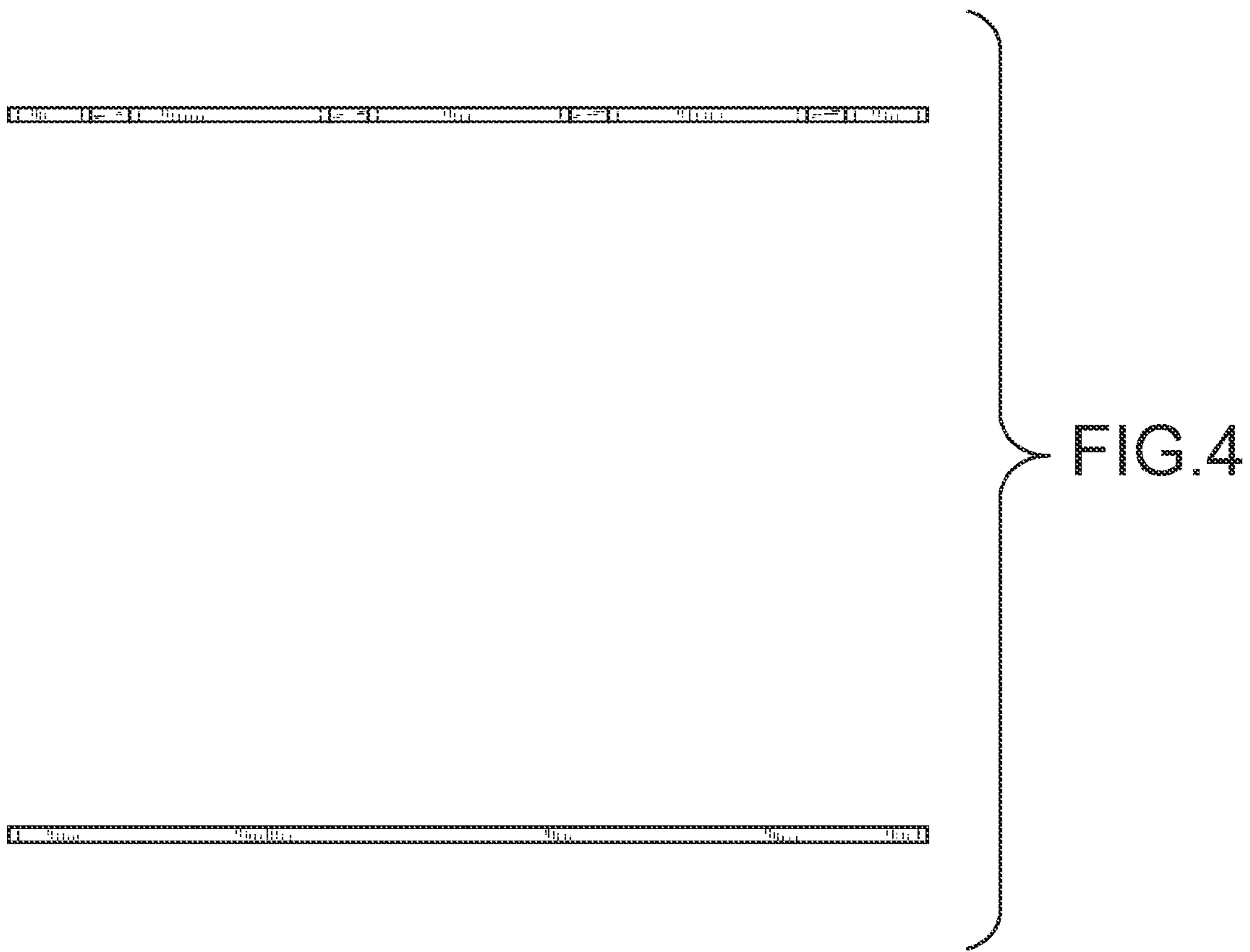
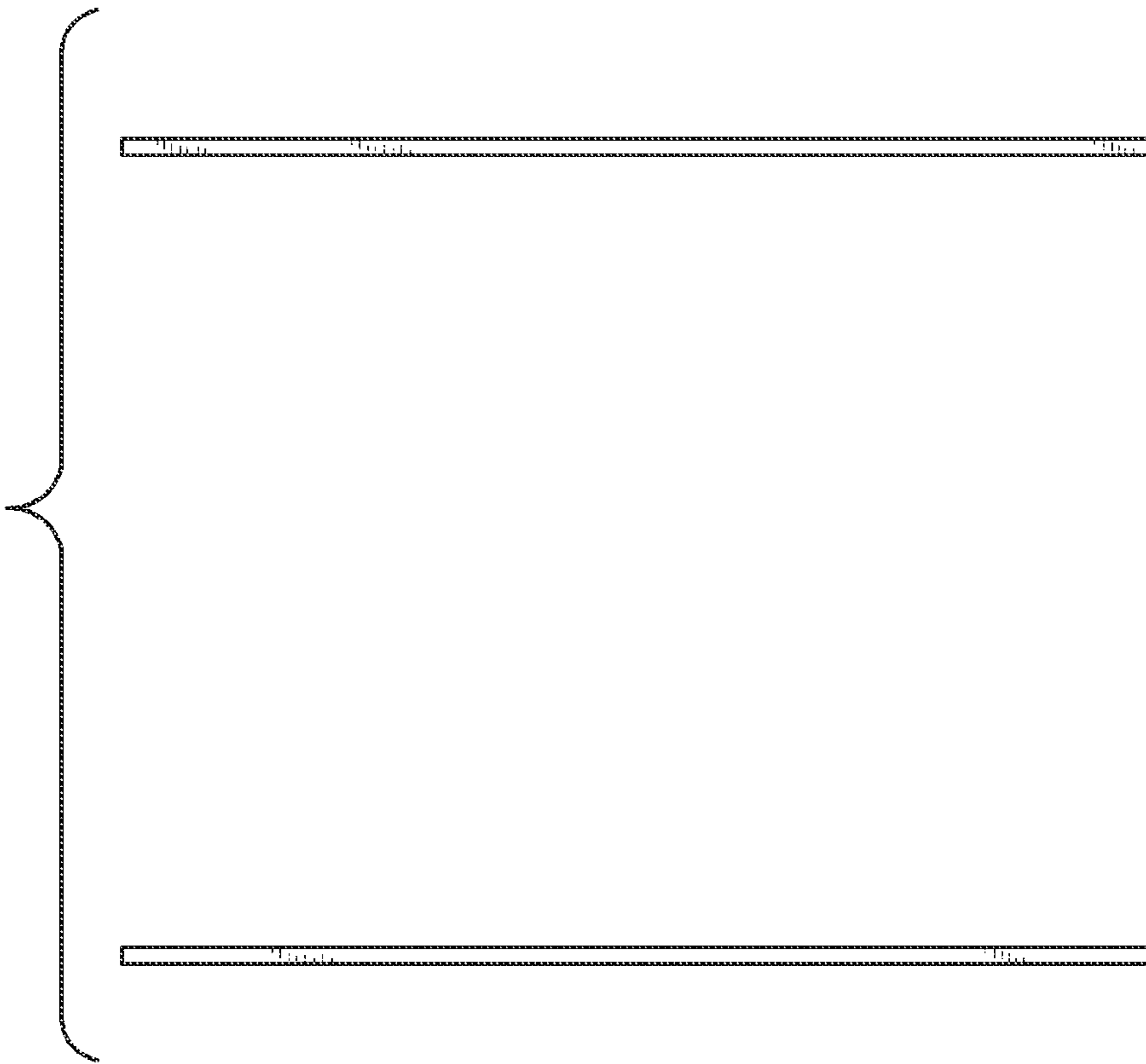
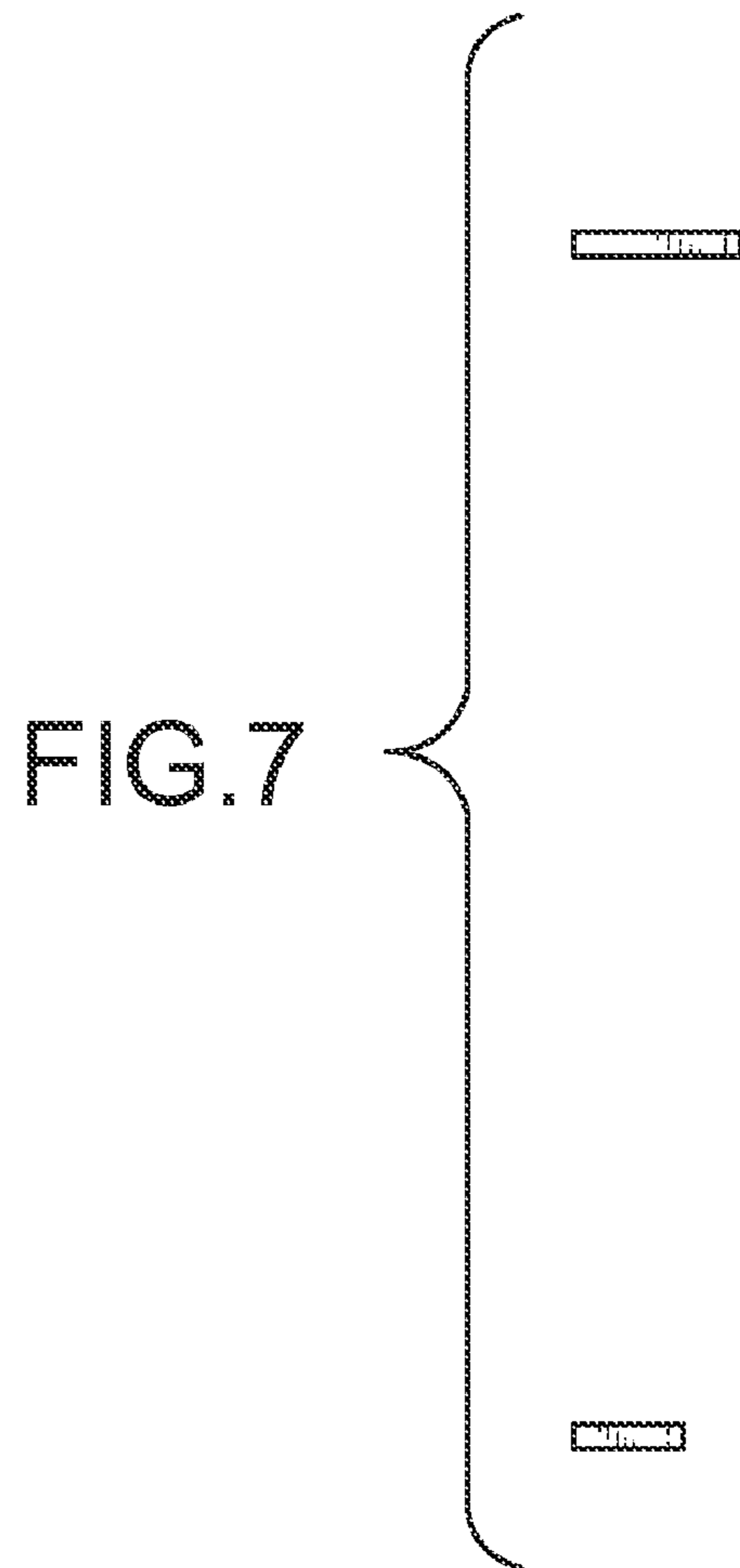
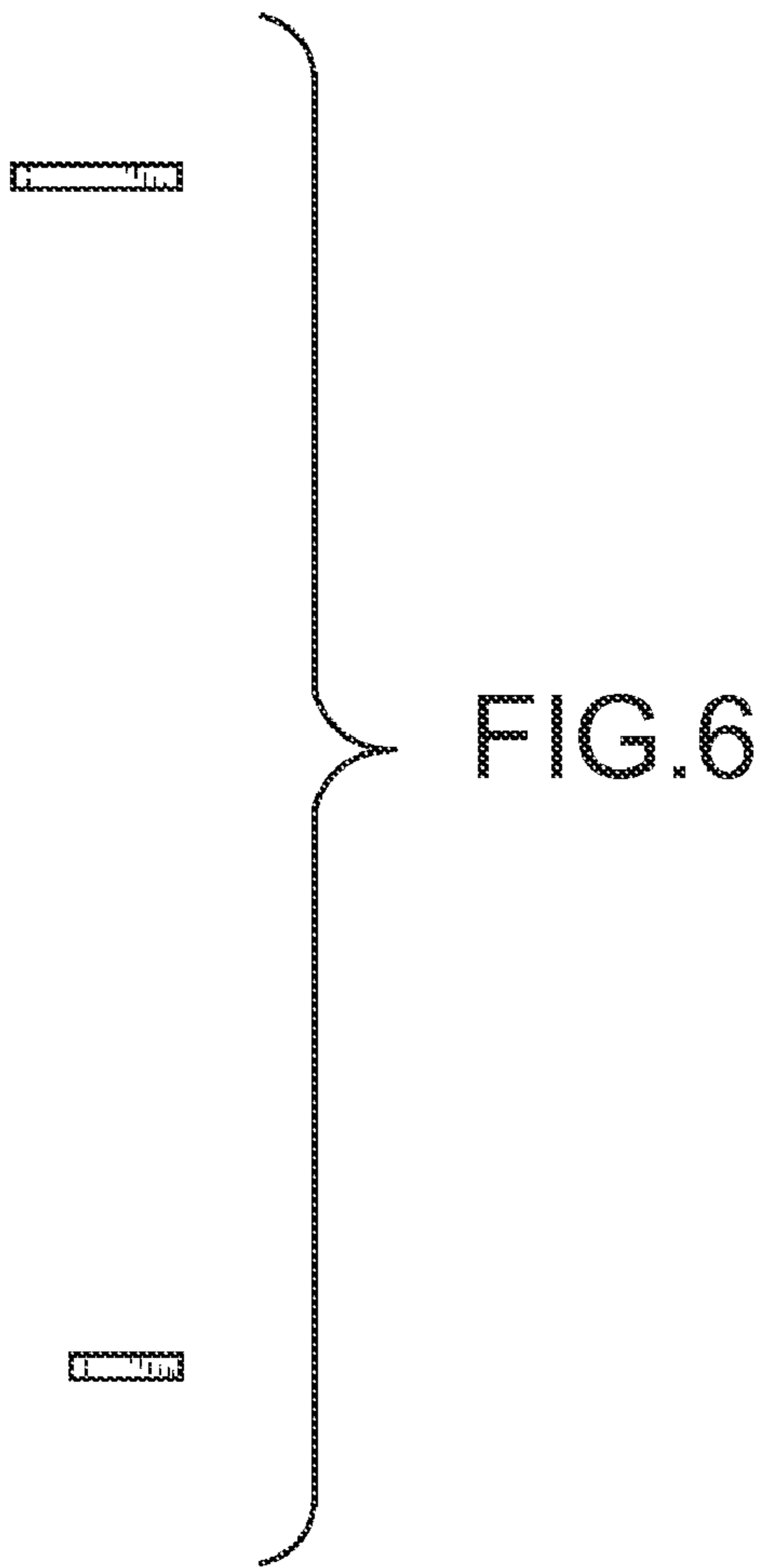


FIG.5







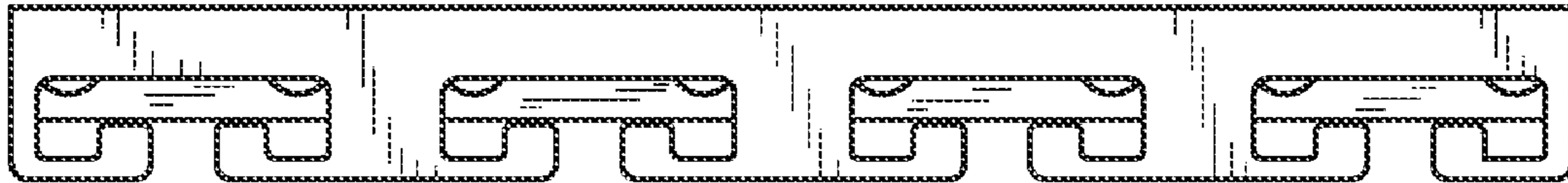


FIG. 8

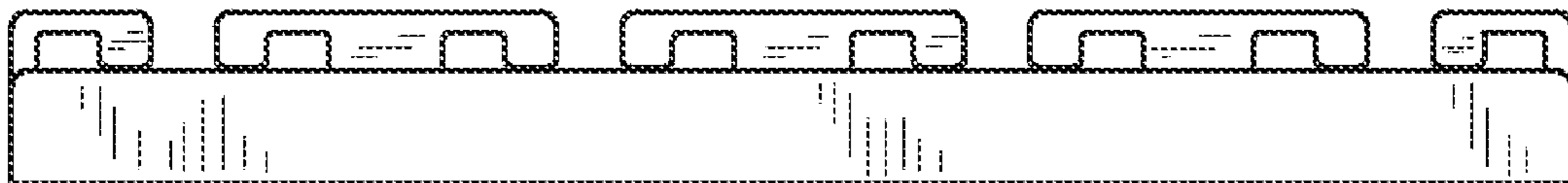


FIG. 9



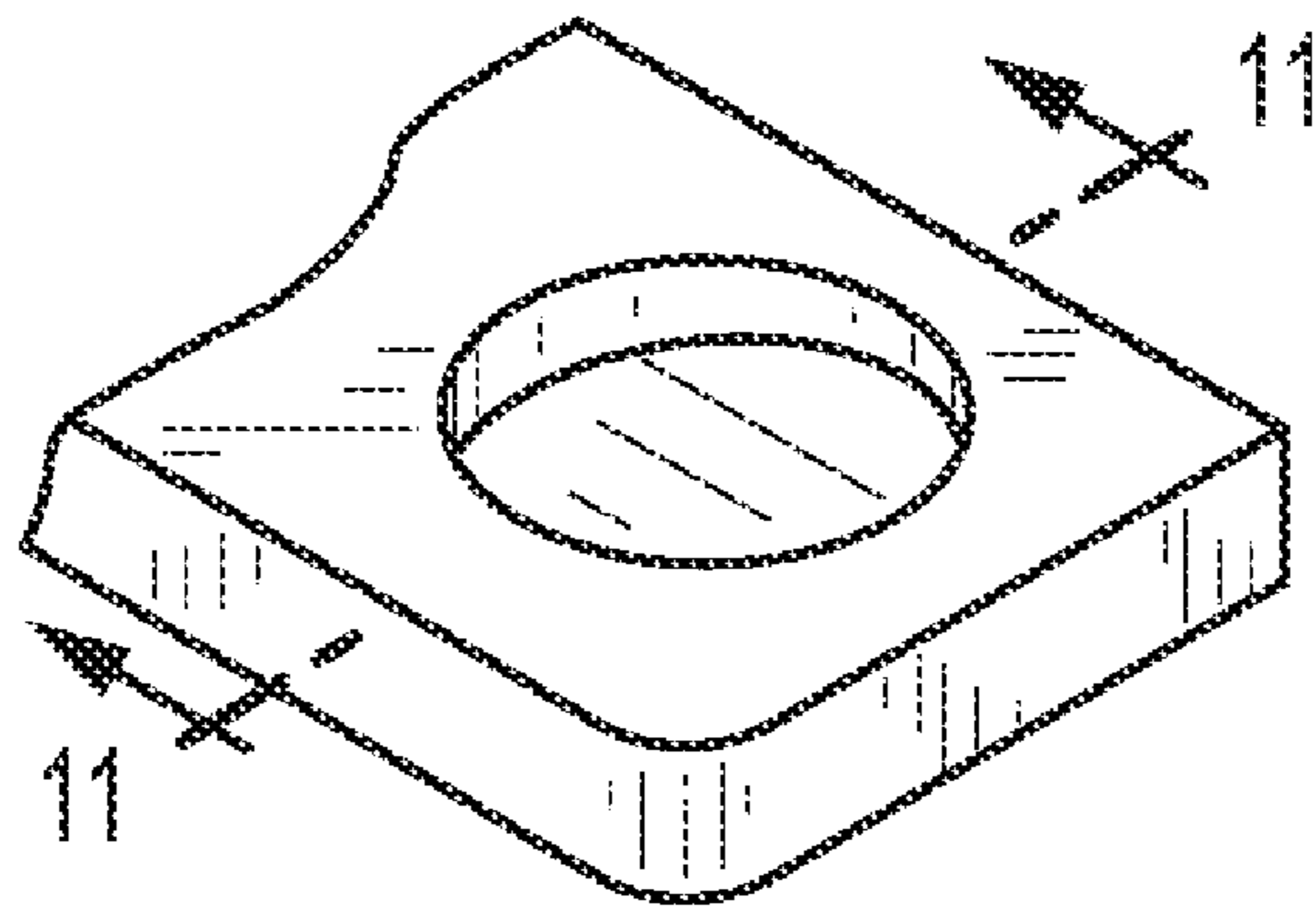


FIG. 10

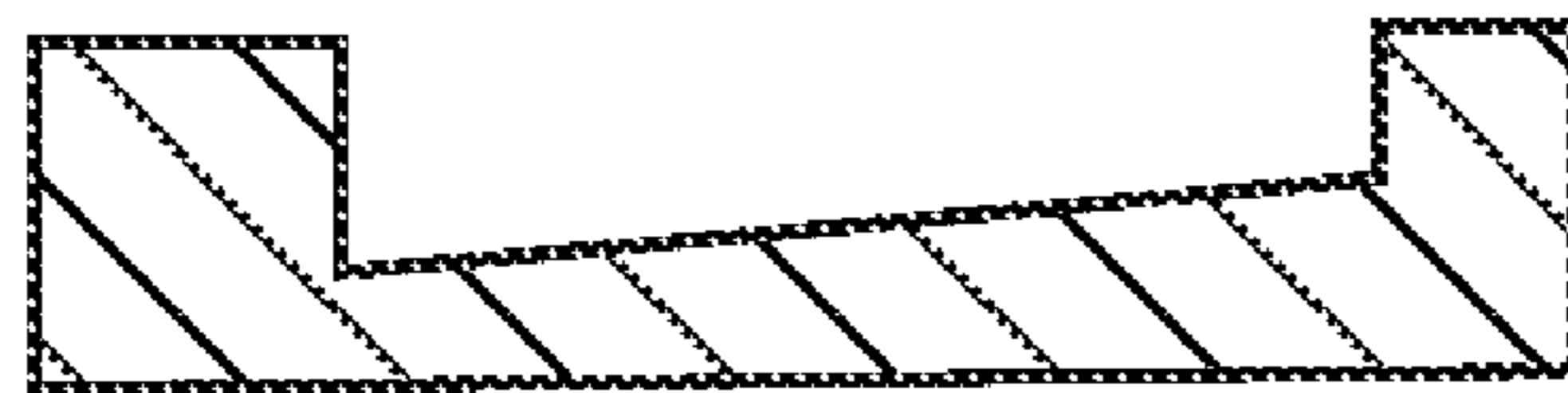


FIG. 11