



US00D573826S

(12) **United States Design Patent**
Rubin et al.

(10) **Patent No.:** **US D573,826 S**
(45) **Date of Patent:** **** Jul. 29, 2008**

(54) **WALL MOUNTABLE SUPPORT**

(75) Inventors: **Leila M. Rubin**, Sheboygan, WI (US);
Herbert V. Kohler, Jr., Kohler, WI (US)

(73) Assignee: **Kohler Co.**, Kohler, WI (US)

(**) Term: **14 Years**

(21) Appl. No.: **29/279,815**

(22) Filed: **May 8, 2007**

(51) **LOC (8) Cl.** **06-04**

(52) **U.S. Cl.** **D6/546**

(58) **Field of Classification Search** D6/546-550,
D6/518-519, 522-524; D8/300, 303, 315-321;
108/28-29; 211/13.1, 16, 60.1, 86.01, 87.01,
211/88.01, 88.04, 100, 105.1-105.2, 123,
211/181.1, 182; 248/175, 176.1, 251, 302;
16/110.1, 412, 415; 242/570, 590, 595-598
See application file for complete search history.

(56) **References Cited**

U.S. PATENT DOCUMENTS

D234,990 S *	4/1975	Morgan	D6/546
D263,182 S *	3/1982	Thompson	D6/546
D286,839 S *	11/1986	Belokin	D6/546
D328,849 S *	8/1992	Cornick et al.	D6/546
D353,244 S *	12/1994	Brazis	D6/546
D455,308 S *	4/2002	Ou-Young	D6/546

OTHER PUBLICATIONS

Aquaware. "Cinquecento Rounded Towel Bar". HomePortfolio.com
online catalog. Copyright 1997-2007 HomePortfolio.com.

Shires Bathrooms. "Serenade Robe Hook". Shires Bathrooms cata-
log.

Bissonnet. "Float Towel Bar". HomePortfolio.com online catalog.
Copyright 1997-2007 HomePortfolio.com.

* cited by examiner

Primary Examiner—Brian N Vinson

(74) *Attorney, Agent, or Firm*—Quarles & Brady LLP

(57) **CLAIM**

The ornamental design for a wall mountable support, as
shown and described.

DESCRIPTION

In a preferred embodiment, the nature of this product is a wall
mountable support such as a towel bar.

FIG. 1 is a left, top, front perspective view of a wall mountable
support according to our new design;

FIG. 2 is a top plan view thereof;

FIG. 3 is a left side elevational view thereof, the right side
elevational view being a mirror image the left side shown;

FIG. 4 is a front elevational view thereof;

FIG. 5 is a bottom plan view thereof; and,

FIG. 6 is a rear elevational view thereof.

The broken line representations in the figures are for the
purpose of illustration only, and form no part of the claimed
design.

1 Claim, 2 Drawing Sheets

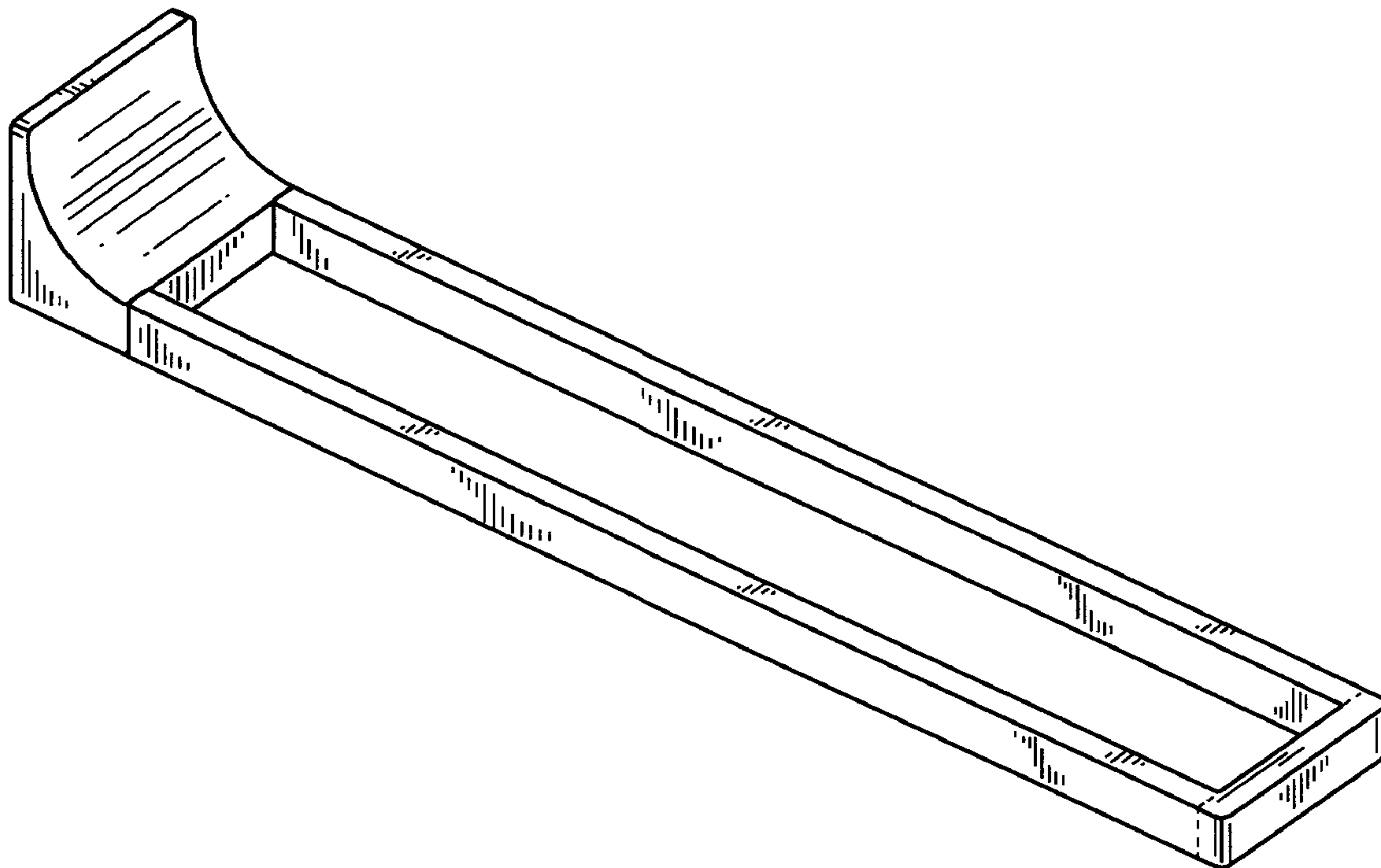


FIG. 1

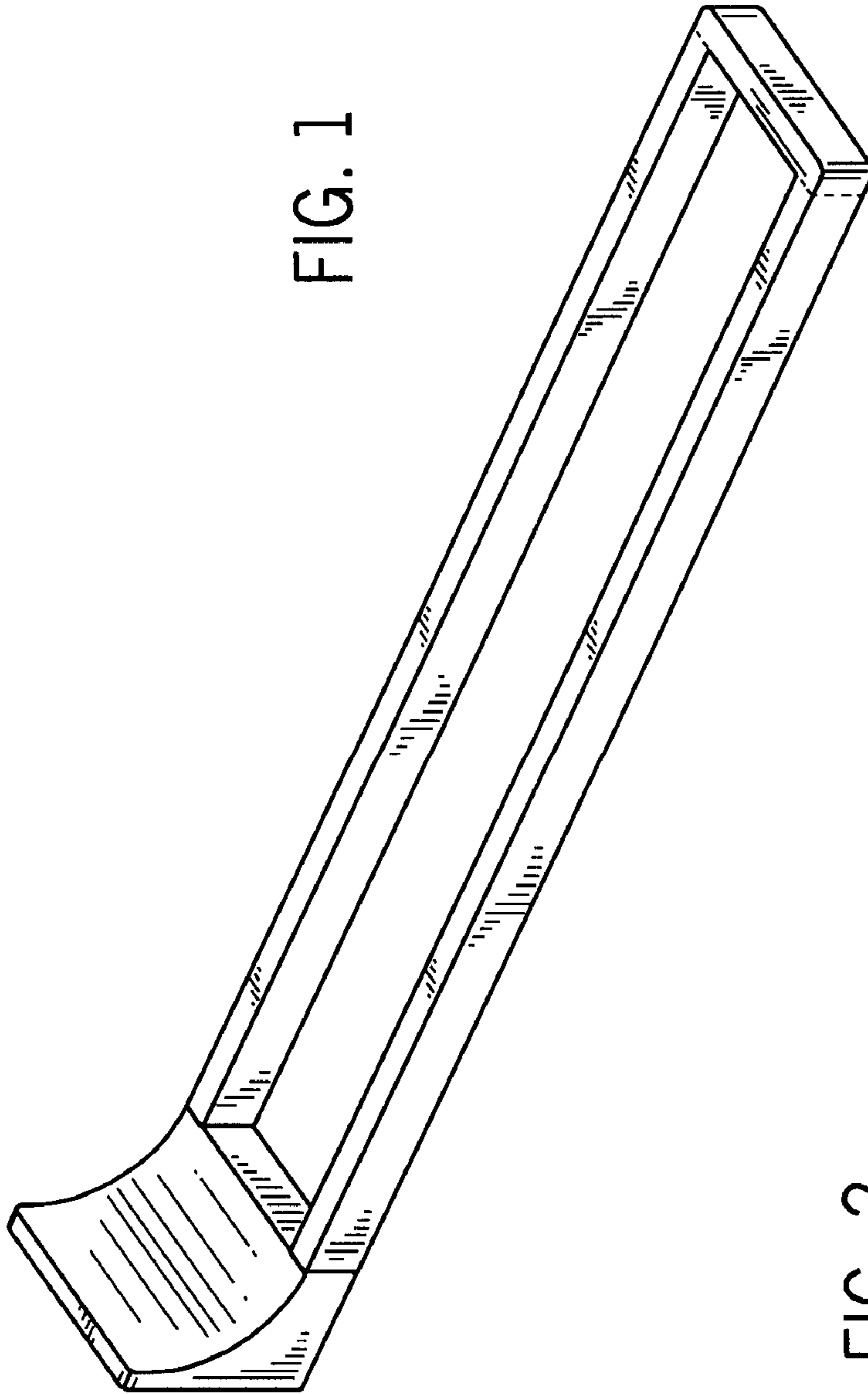
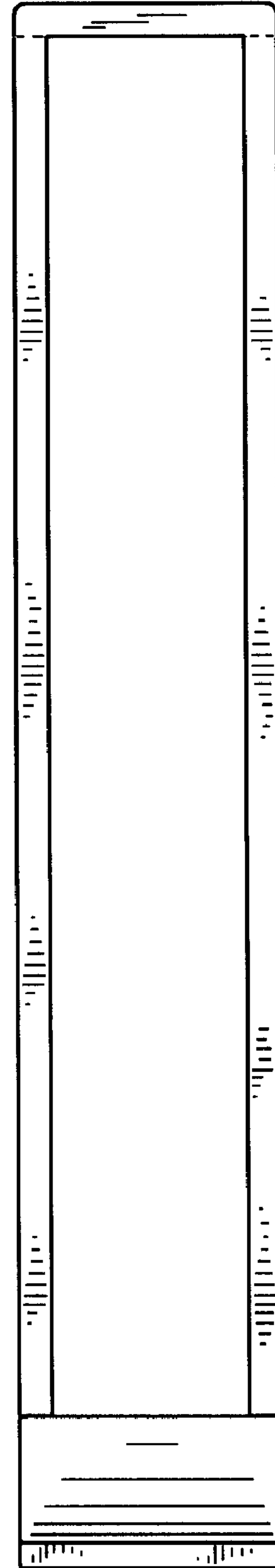


FIG. 2



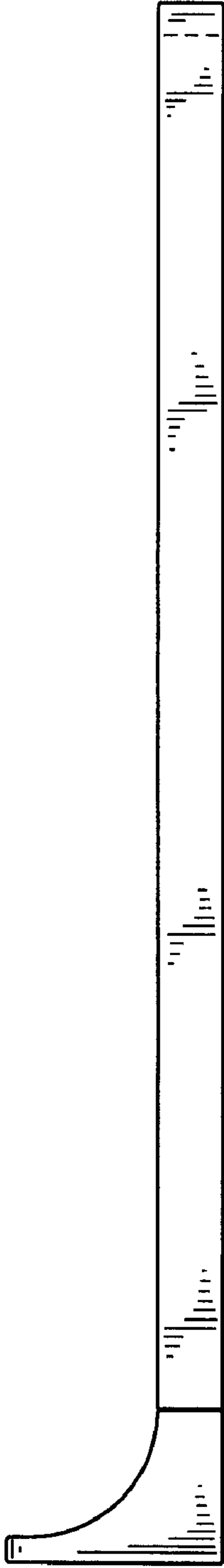


FIG. 3

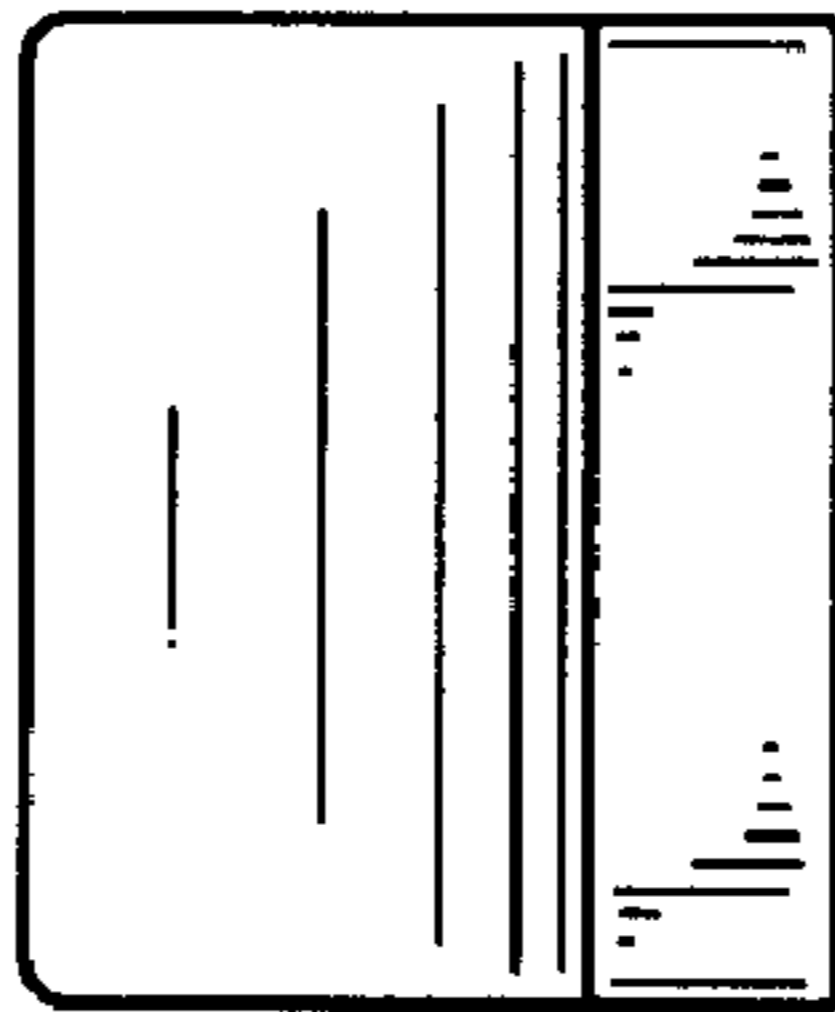


FIG. 4

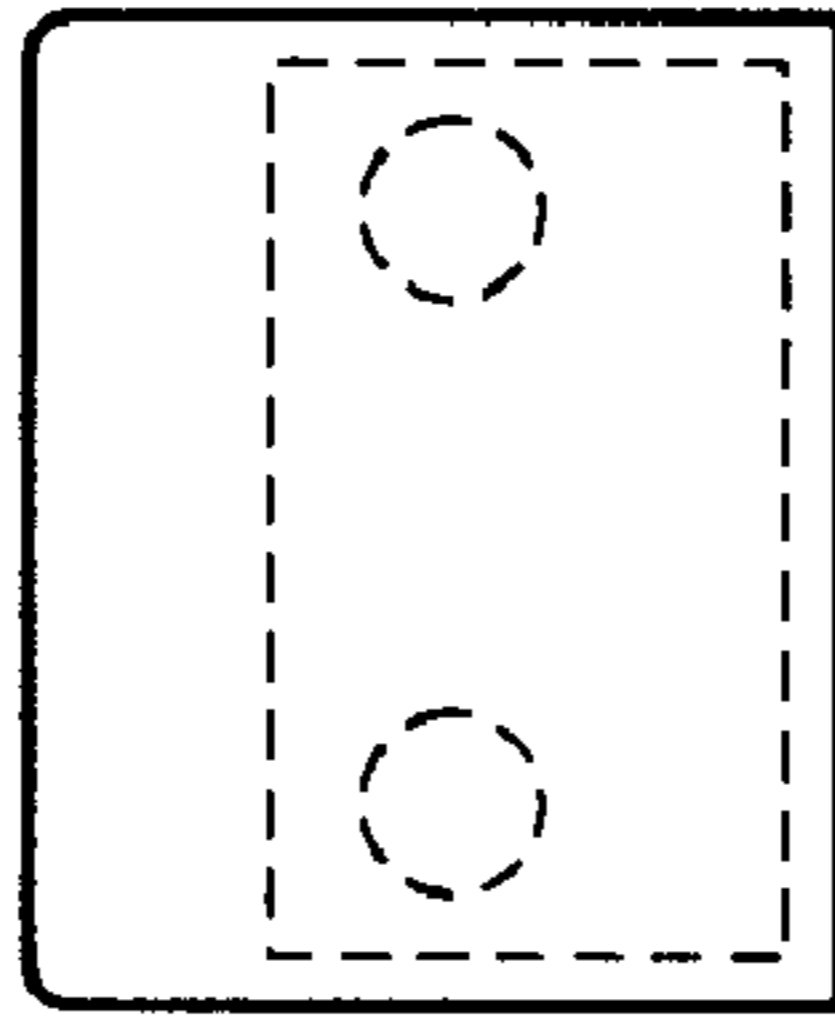


FIG. 6

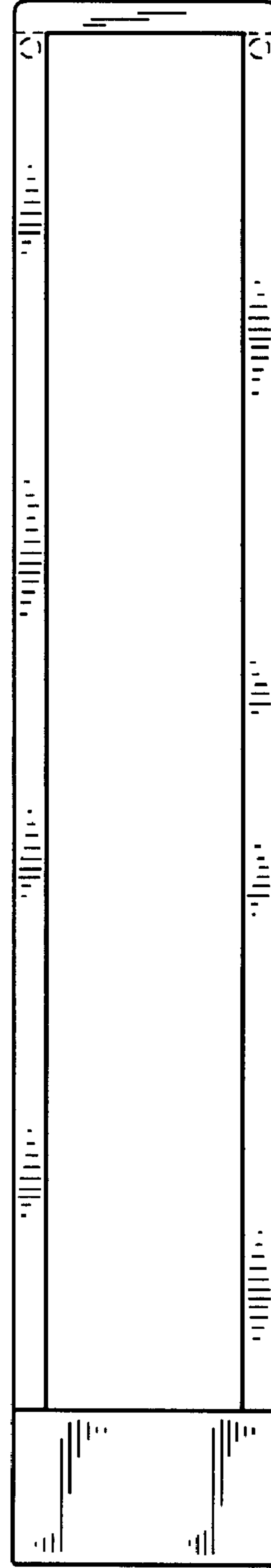


FIG. 5