



US00D573824S

(12) **United States Design Patent**
Rubin

(10) **Patent No.:** **US D573,824 S**
(45) **Date of Patent:** **** Jul. 29, 2008**

(54) **WALL MOUNTABLE SUPPORT**

(75) Inventor: **Leila M. Rubin**, Sheboygan, WI (US)

(73) Assignee: **Kohler Co.**, Kohler, WI (US)

(**) Term: **14 Years**

(21) Appl. No.: **29/279,812**

(22) Filed: **May 8, 2007**

(51) **LOC (8) Cl.** **23-02**

(52) **U.S. Cl.** **D6/524**

(58) **Field of Classification Search** D6/546-550,
D6/518-523; D8/300, 303, 315-321, 349,
D8/354, 363, 373, 380; 108/28-29; 211/13.1,
211/16, 60.1, 100, 86.01, 87.01, 88.01, 88.04,
211/105.1-105.2, 123, 182, 181.1; 248/175,
248/176.1, 251, 302, 309.1; 16/110.1, 412,
16/415; 242/570, 590, 595-598

See application file for complete search history.

(56) **References Cited**

U.S. PATENT DOCUMENTS

D450,504 S * 11/2001 Harvey D6/524

D450,962 S * 11/2001 Hundley D6/524

D554,403 S * 11/2007 Xiao D6/524

OTHER PUBLICATIONS

Kohler Co. "Stillness Toilet Tissue Holder". Model No. K-14459.

Kohler Co. online catalog. Copyright 2007 Kohler Co.

Samuel Heath. Crystal Glass Tumbler / Toothbrush Holder. HomePortfolio.com online catalog. Copyright 1997-2007 HomePortfolio Inc.

* cited by examiner

Primary Examiner—Brian N Vinson

(74) *Attorney, Agent, or Firm*—Quarles & Brady LLP

(57) **CLAIM**

The ornamental design for a wall mountable support, as shown and described.

DESCRIPTION

In a preferred embodiment, the nature of this product is a wall mountable support, such as a toilet paper holder.

FIG. 1 is a left, top, front perspective view of a wall mountable support according to my new design;

FIG. 2 is a left side elevational view thereof, the right side elevational view being a mirror image the left side shown;

FIG. 3 is a front elevational view thereof;

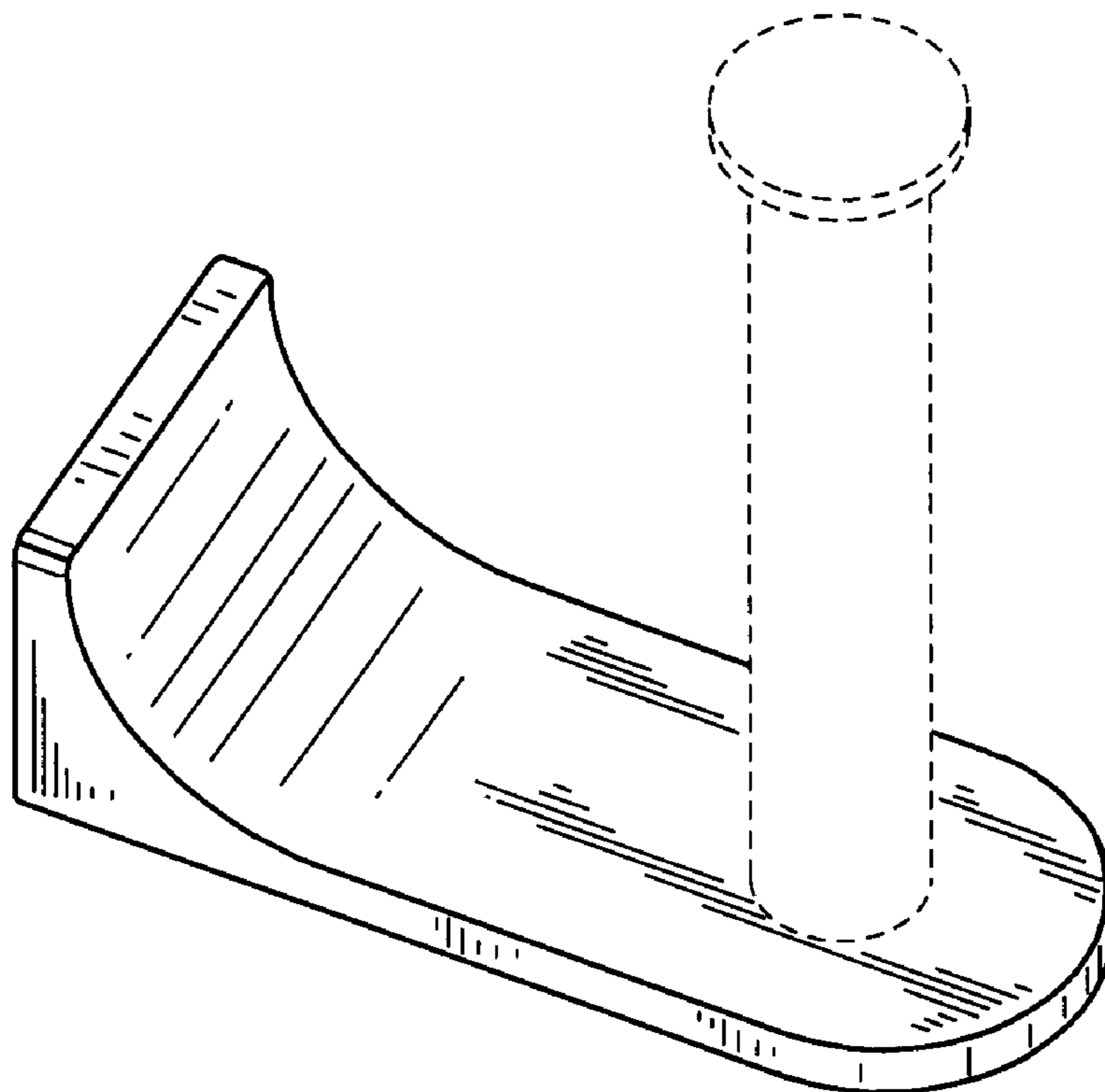
FIG. 4 is a top plan view thereof;

FIG. 5 is a bottom plan view thereof; and,

FIG. 6 is a rear elevational view thereof.

The broken line representations of bar environment in FIGS. 1-4 and 6 and of rear structure in FIG. 6, are for the purpose of illustration only, and form no part of the claimed design.

1 Claim, 3 Drawing Sheets



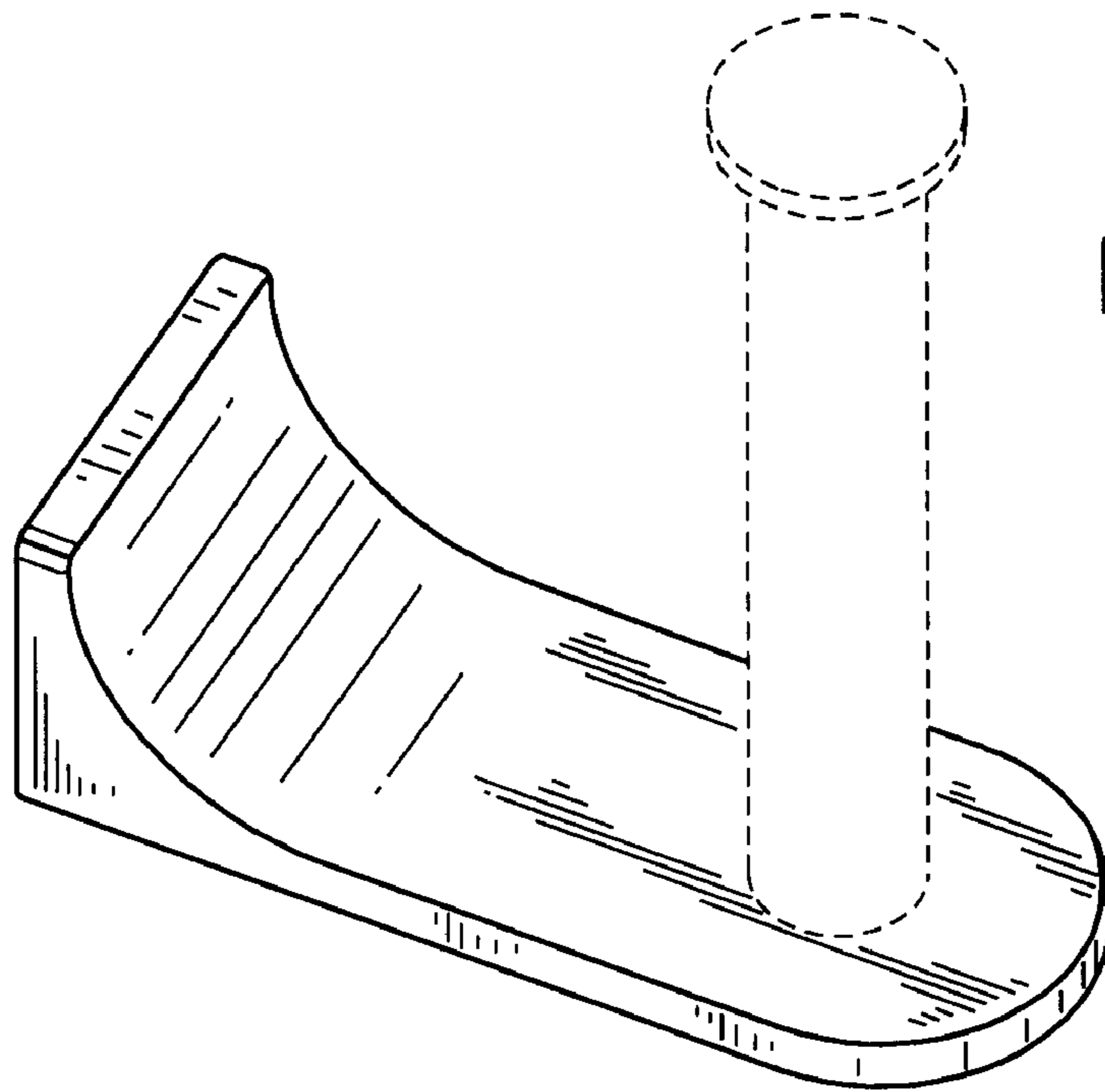


FIG. 1

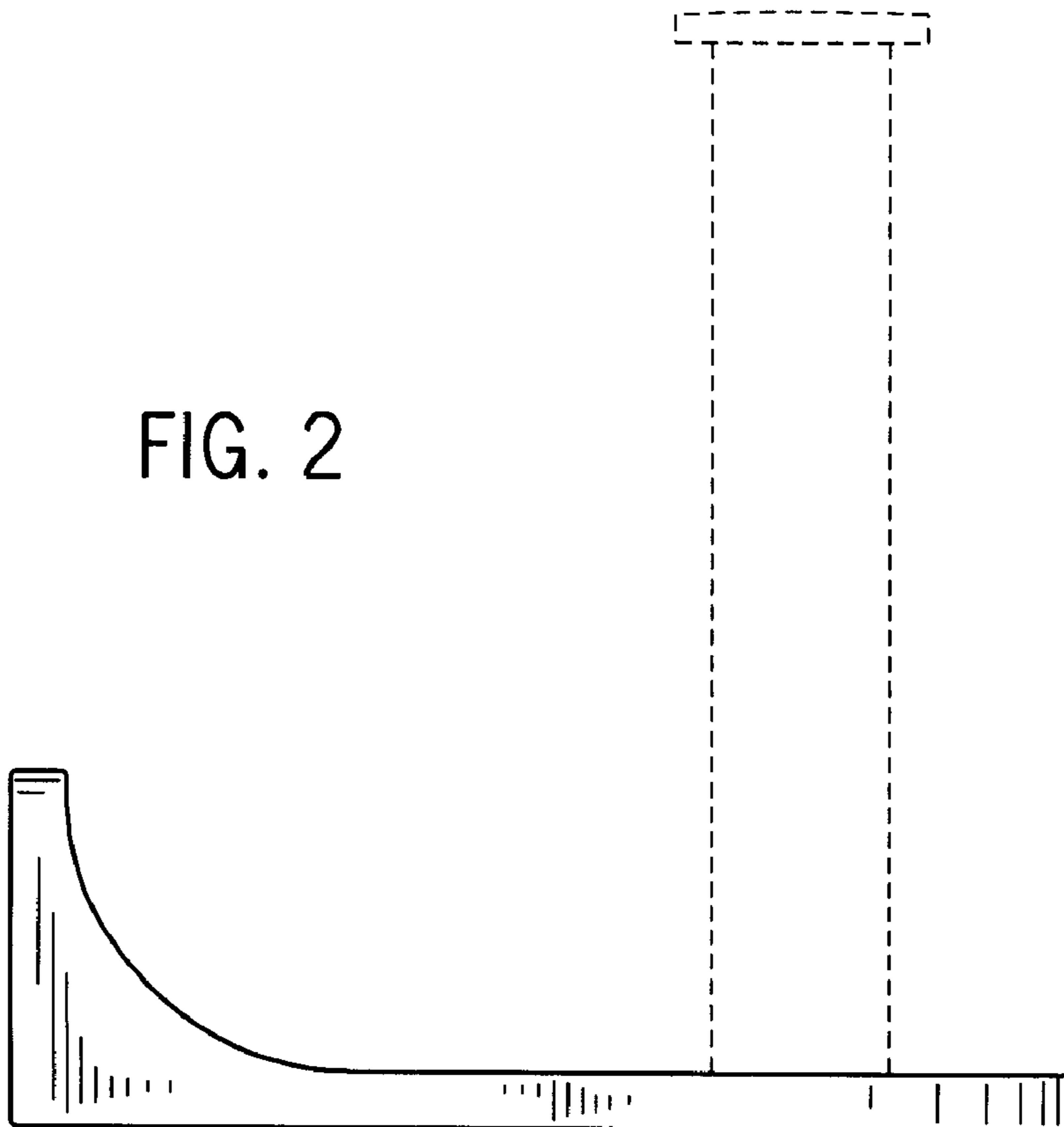


FIG. 2

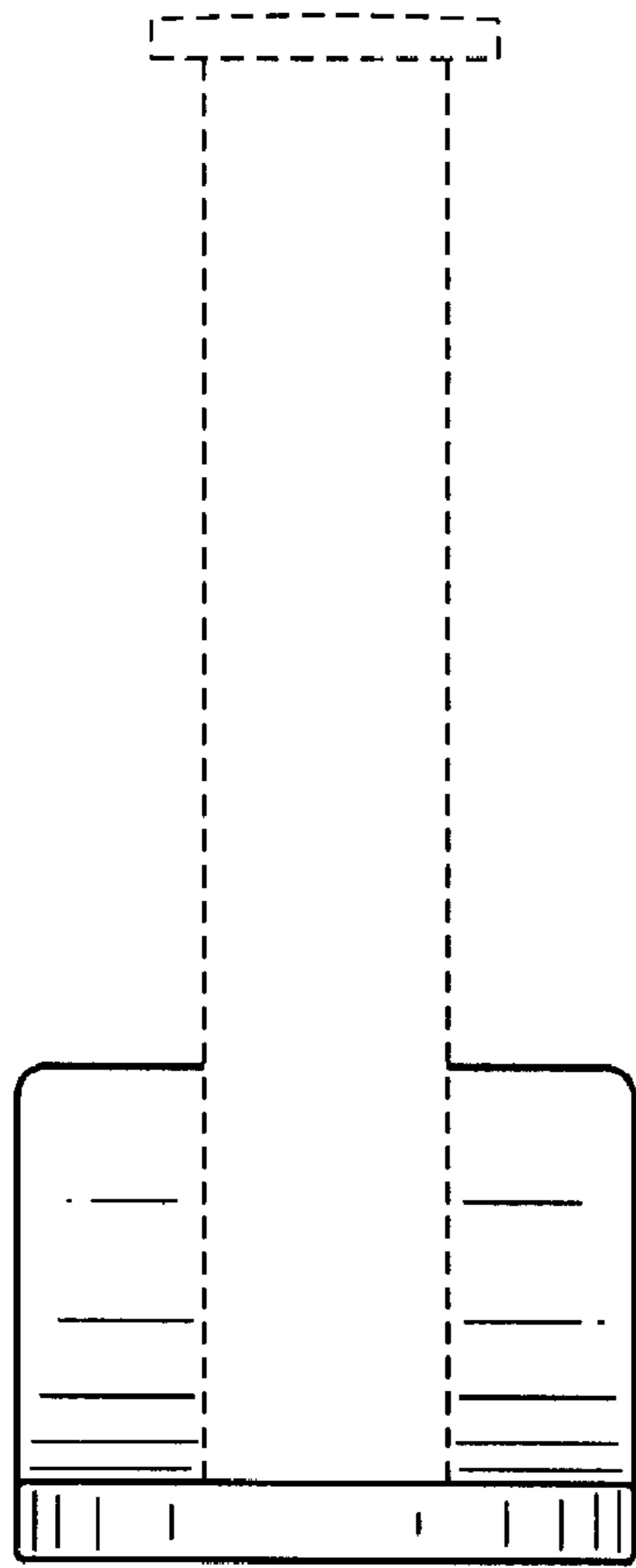


FIG. 3

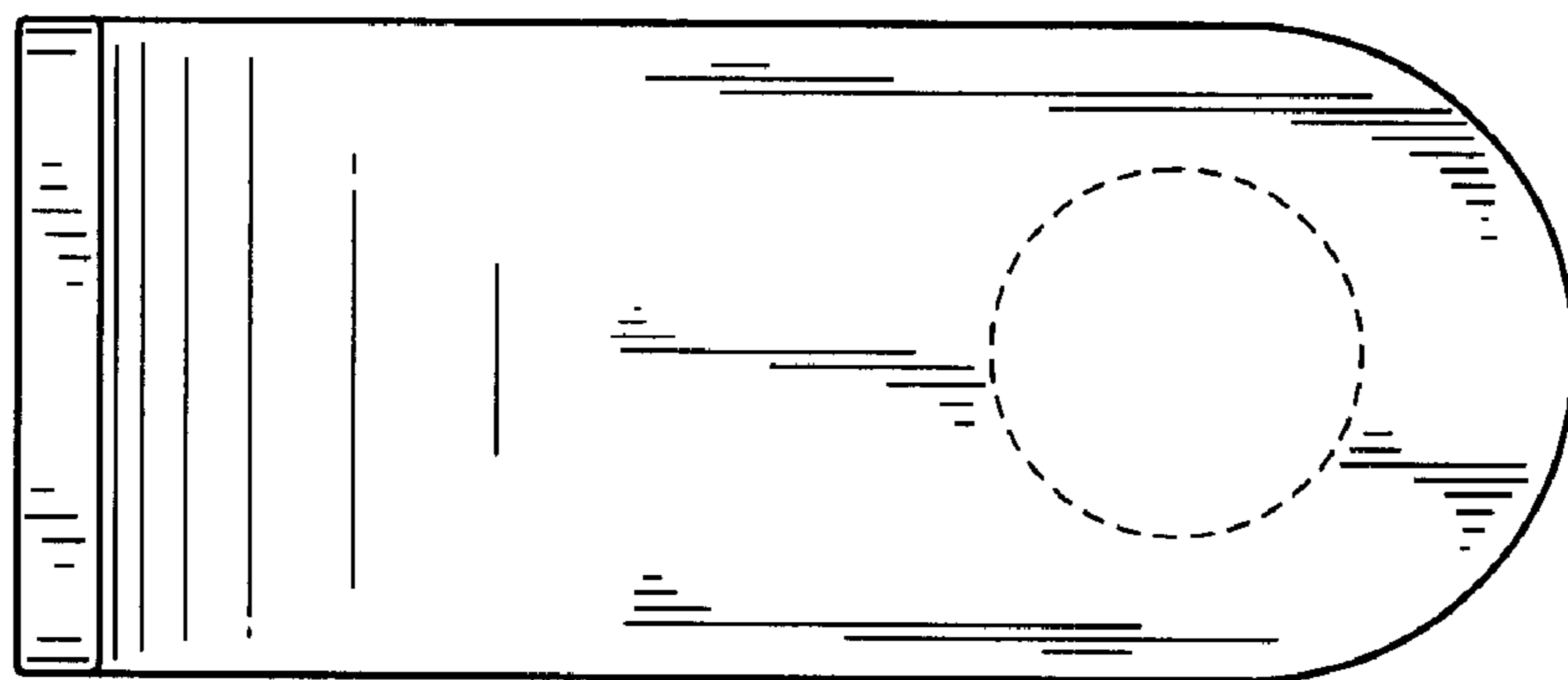


FIG. 4

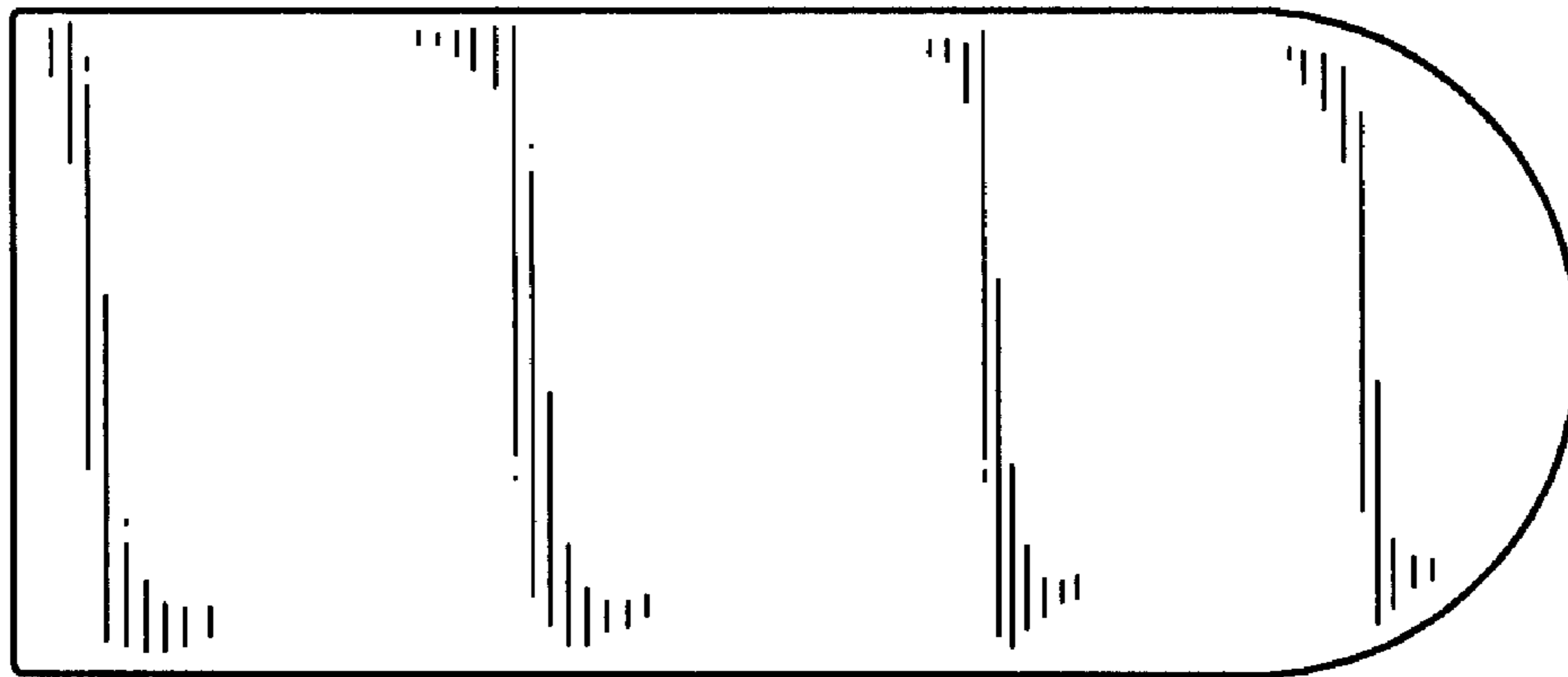


FIG. 5

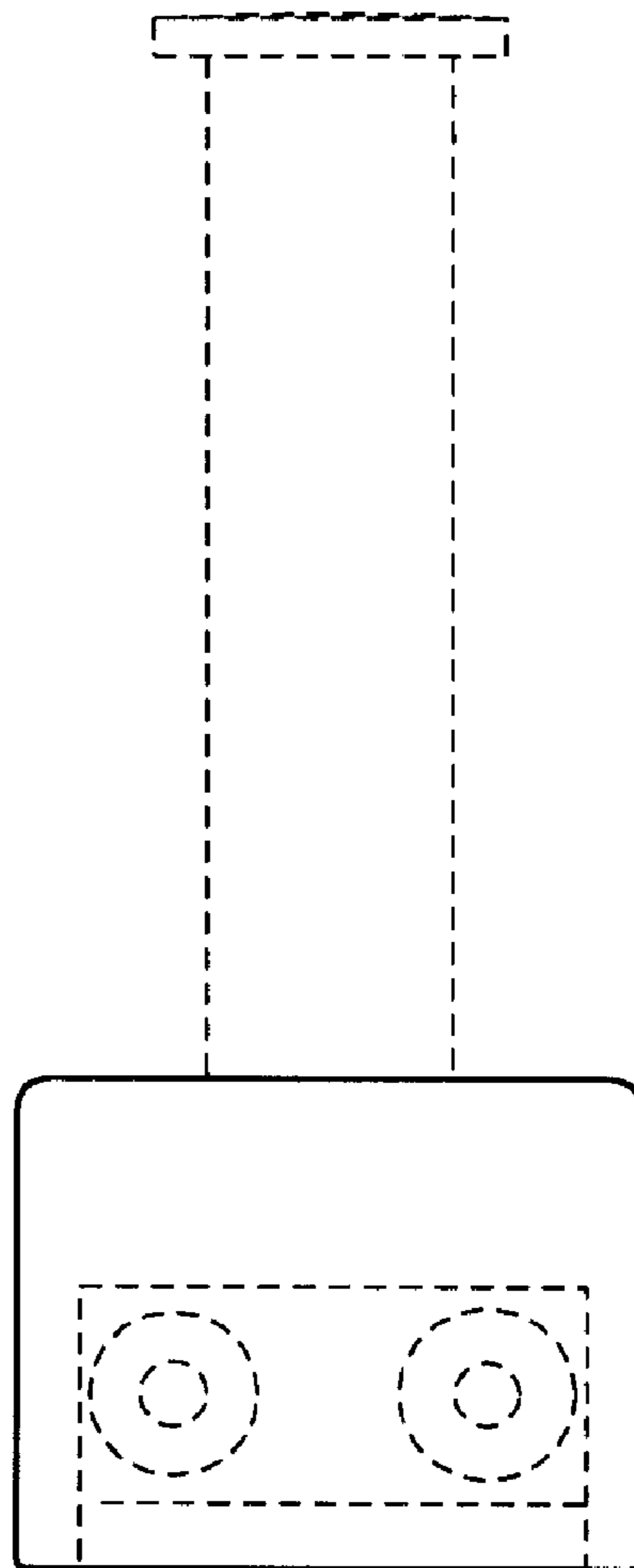


FIG. 6