



US00D573823S

(12) **United States Design Patent**  
**Ko**

(10) **Patent No.:** **US D573,823 S**

(45) **Date of Patent:** **\*\* Jul. 29, 2008**

(54) **MOUNTING BASE**

D484,720 S \* 1/2004 Moore ..... D6/524  
D492,525 S \* 7/2004 Roberts et al. .... D6/524

(75) Inventor: **Hsi Chia Ko**, Changhua Hsien (TW)

\* cited by examiner

(73) Assignee: **Chung Cheng Faucet Co., Ltd.**,  
Changhua Hsien (TW)

*Primary Examiner*—Brian N Vinson  
(74) *Attorney, Agent, or Firm*—Troxell Law Office, PLLC

(\*\*) Term: **14 Years**

(57) **CLAIM**

(21) Appl. No.: **29/272,090**

The ornamental design for a mounting base, as shown and described.

(22) Filed: **Feb. 1, 2007**

(51) **LOC (8) Cl.** ..... **23-02**

(52) **U.S. Cl.** ..... **D6/524; D6/550**

(58) **Field of Classification Search** ..... D6/518–524,  
D6/548–550; D8/300, 303, 315–321, 349,  
D8/354, 363, 373, 380; 108/28–29; 211/13.1,  
211/16, 60.1, 100, 86.01, 87.01, 88.01, 88.04,  
211/105.1–105.2, 123, 182, 181.1; 248/176,  
248/176.1, 251, 302, 309.1; 16/110.1, 412,  
16/415; 242/570, 590, 595–598

See application file for complete search history.

**DESCRIPTION**

FIG. 1 is a front, bottom, and left side perspective view of a mounting base showing my new design;

FIG. 2 is a bottom plan view thereof;

FIG. 3 is a top plan view thereof;

FIG. 4 is a left side elevational view thereof;

FIG. 5 is a right side elevational view thereof;

FIG. 6 is a front elevational view thereof;

FIG. 7 is a rear elevational view thereof;

FIG. 8 is an additional front, bottom, and left side perspective view thereof, the broken-line disclosure being for illustrative purposes only and forming no part of the claimed design;

FIG. 9 is an additional front, bottom, and left side perspective view thereof, the broken-line disclosure being for illustrative purposes only and forming no part of the claimed design;

FIG. 10 is a top, front, and left side perspective view of a second embodiment thereof, the broken-line disclosure being for illustrative purposes only and forming no part of the claimed design; and,

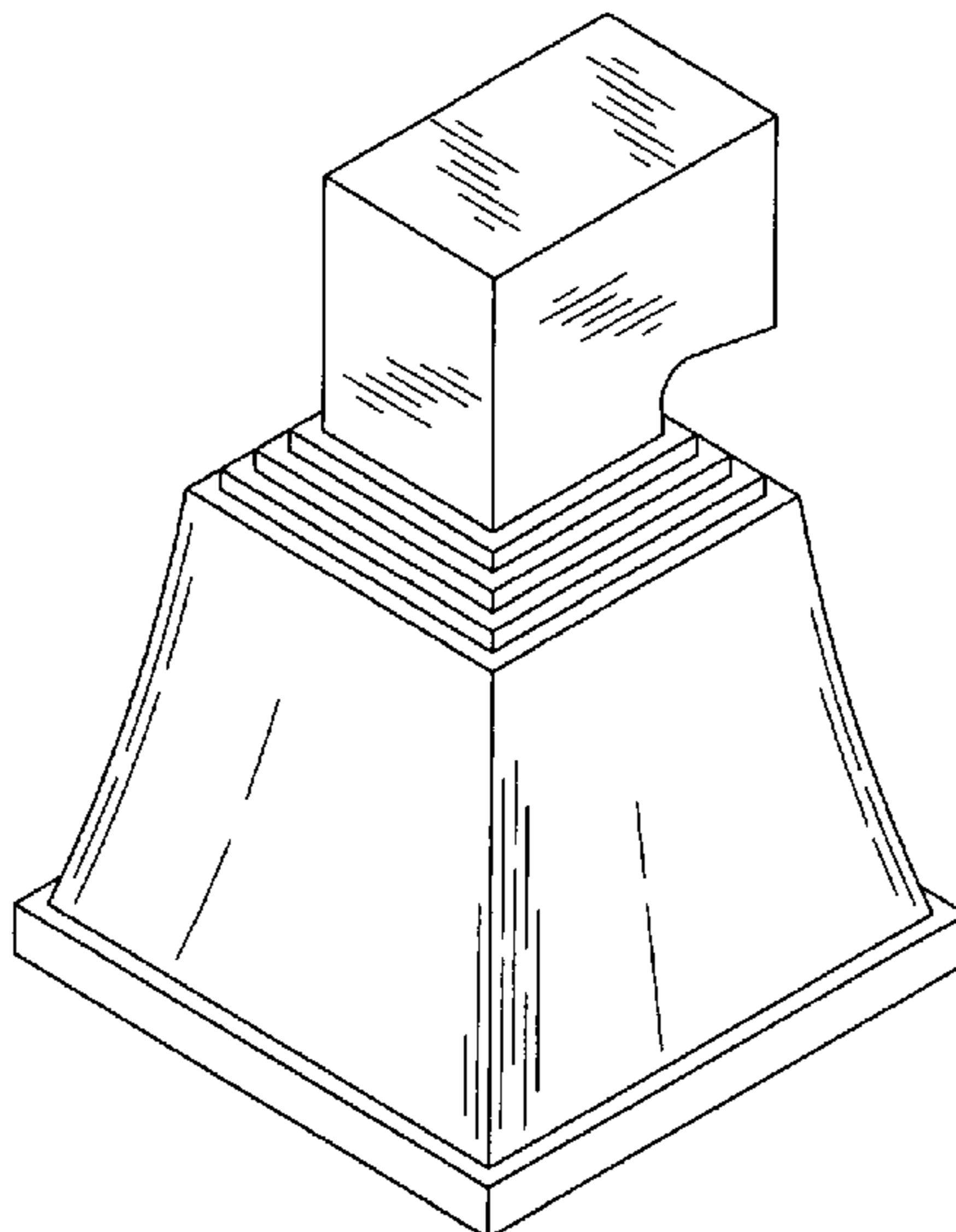
FIG. 11 is an additional top, front, and left side perspective view thereof, the broken-line disclosure being for illustrative purposes only and forming no part of the claimed design.

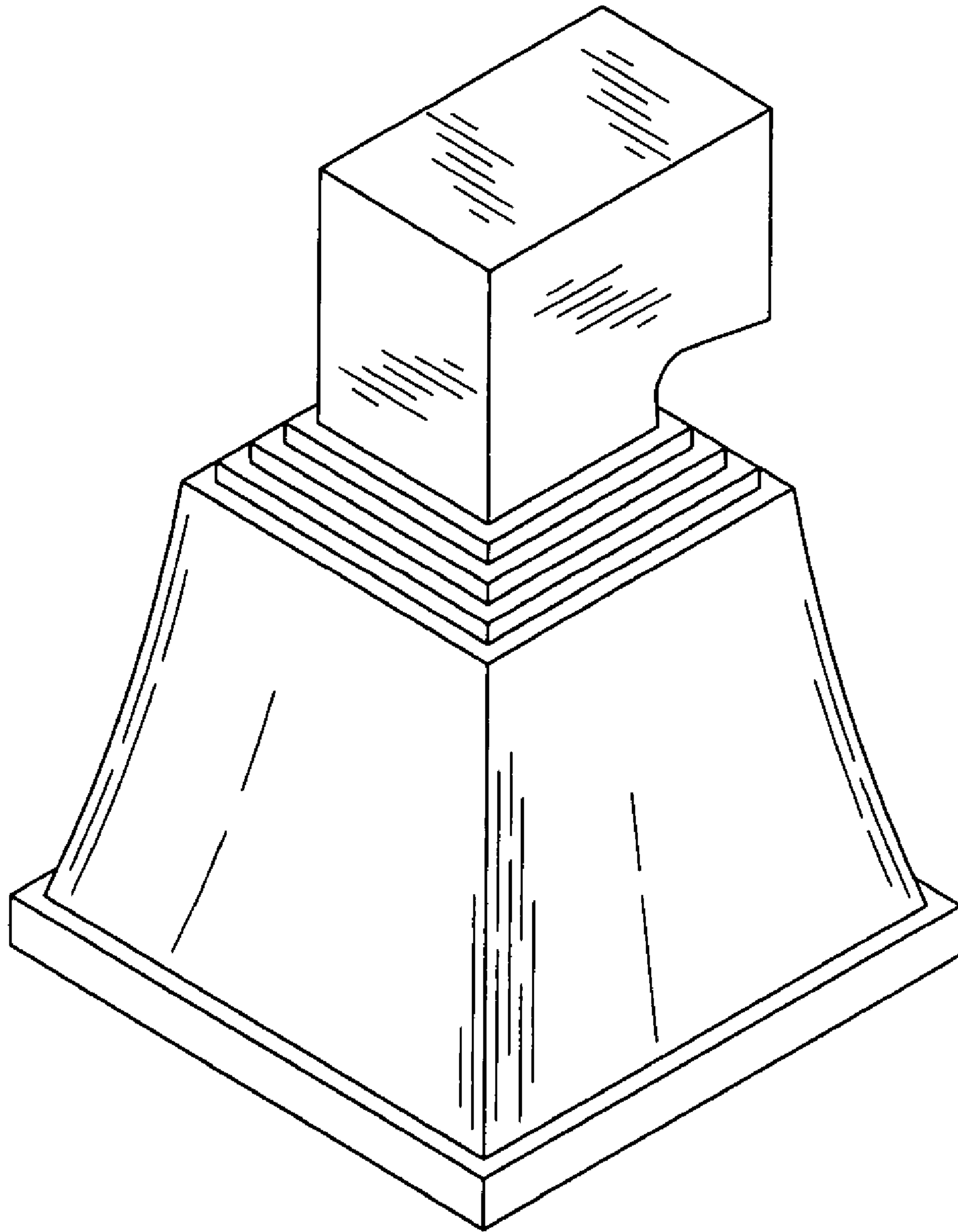
(56) **References Cited**

**U.S. PATENT DOCUMENTS**

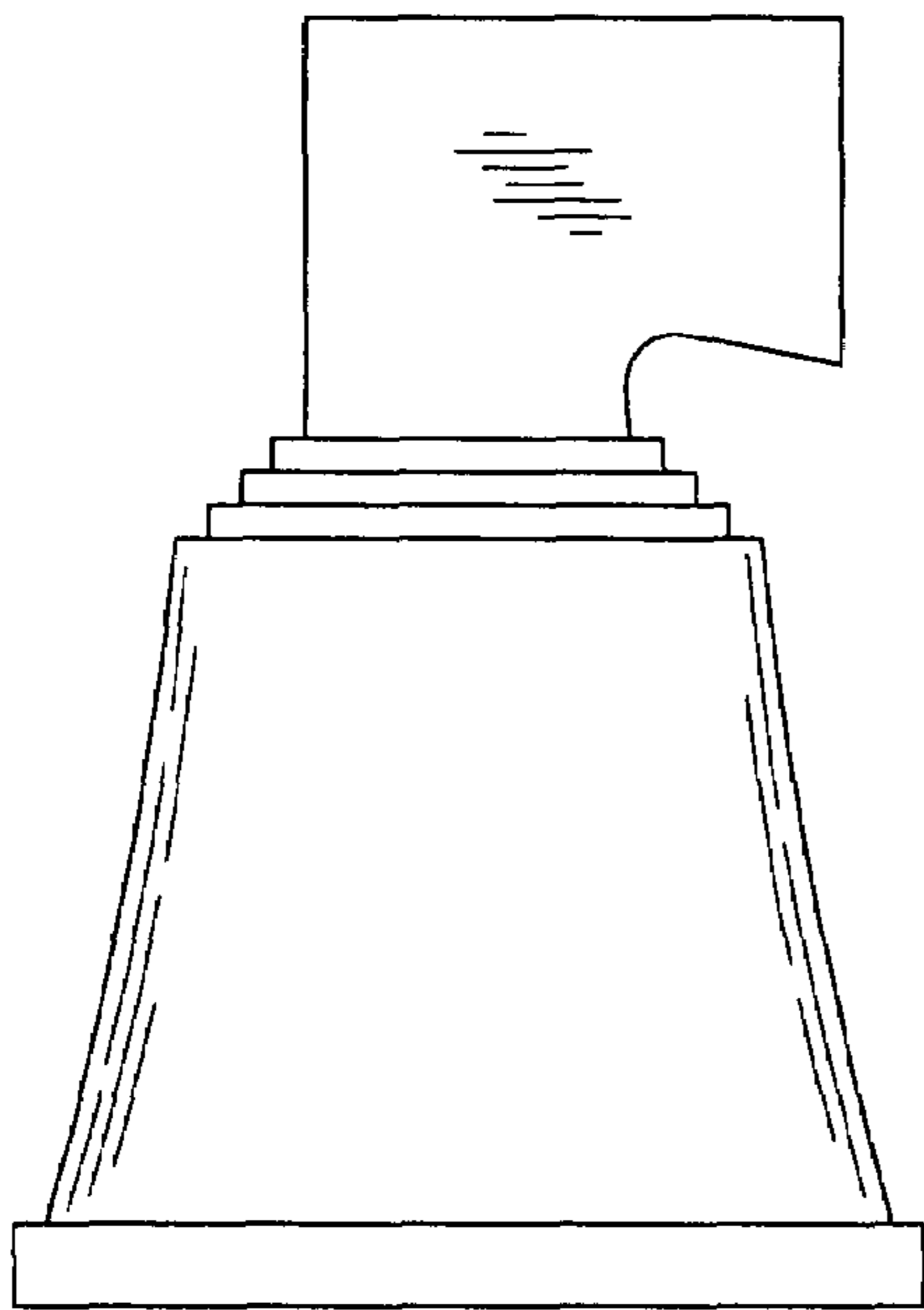
D337,230 S *	7/1993	Wang	.....	D6/550
D390,397 S *	2/1998	Chen	.....	D6/550
D424,354 S *	5/2000	Duggan	.....	D6/550
D431,948 S *	10/2000	Chen	.....	D6/524
D449,948 S *	11/2001	Lai	.....	D6/524
D449,950 S *	11/2001	Lai	.....	D6/524
D465,955 S *	11/2002	Yen	.....	D6/550
D466,347 S *	12/2002	Chen	.....	D6/550
D466,350 S *	12/2002	Tai	.....	D6/550
D469,292 S *	1/2003	Chen et al.	.....	D6/550
D474,929 S *	5/2003	Lai	.....	D6/524
D474,932 S *	5/2003	Lai	.....	D6/524
D477,168 S *	7/2003	Greenspon	.....	D6/524
D477,946 S *	8/2003	Ouano	.....	D6/524

**1 Claim, 8 Drawing Sheets**

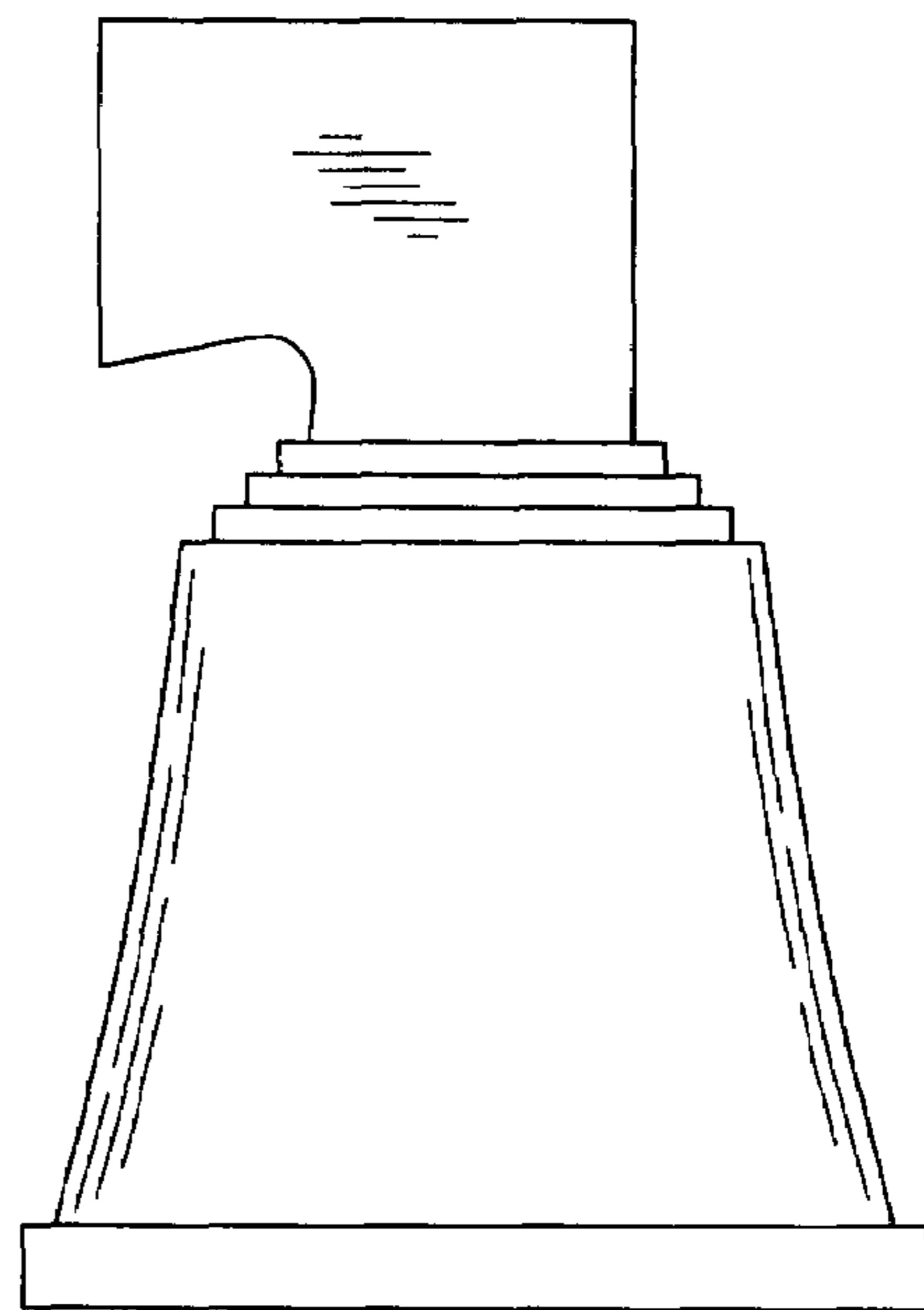




**FIG. 1**



**FIG. 2**



**FIG. 3**

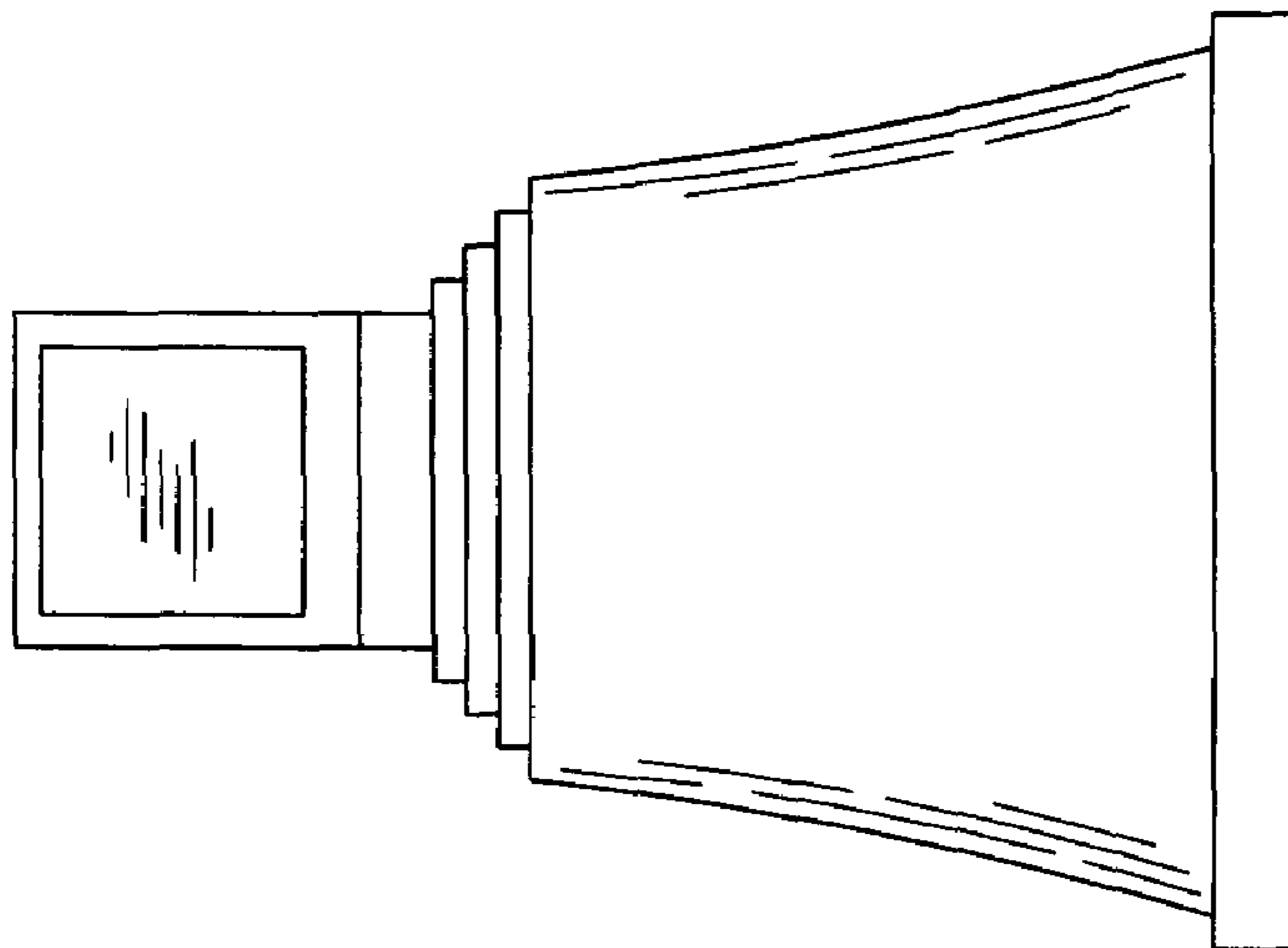


FIG. 5

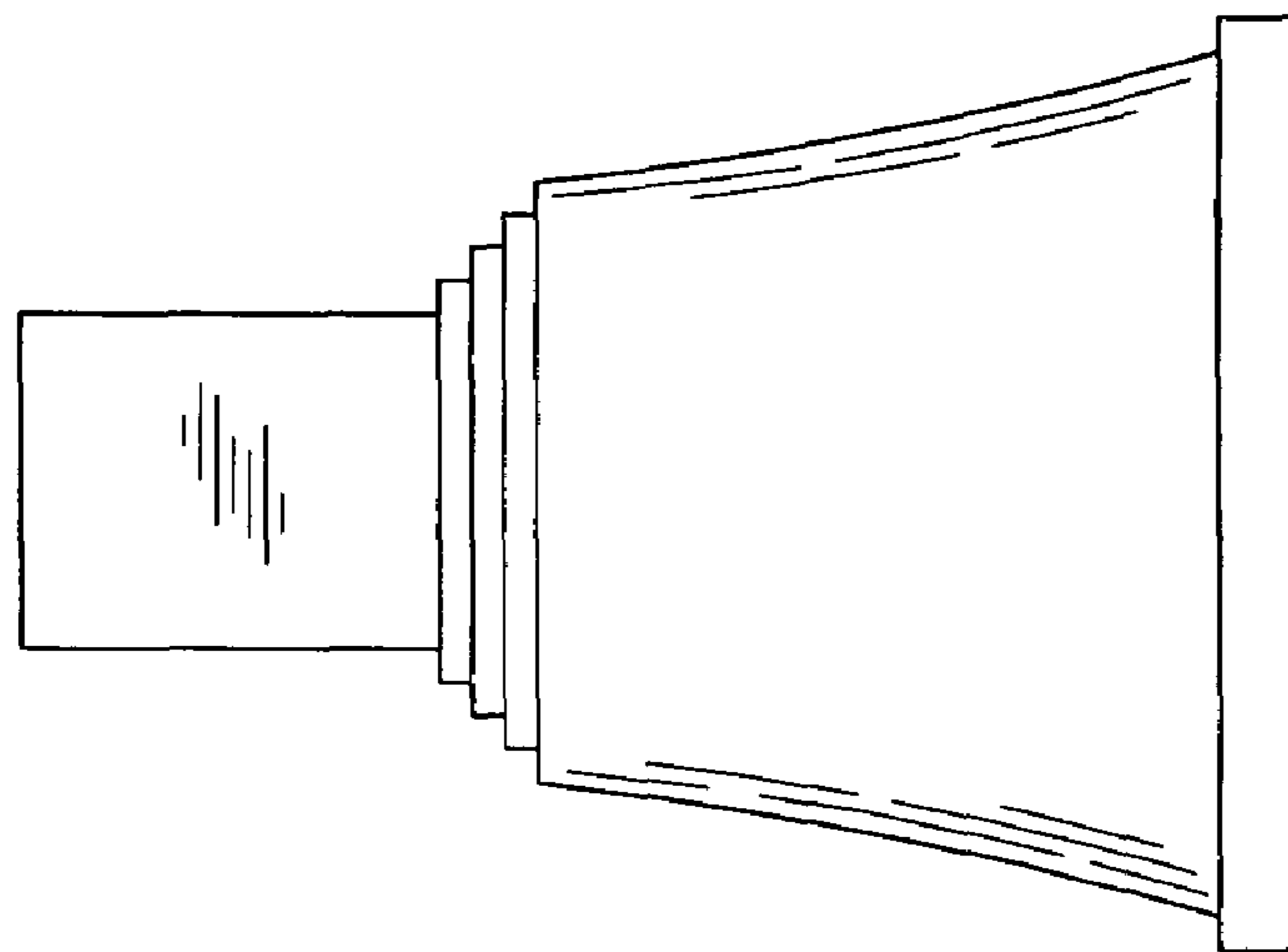


FIG. 4

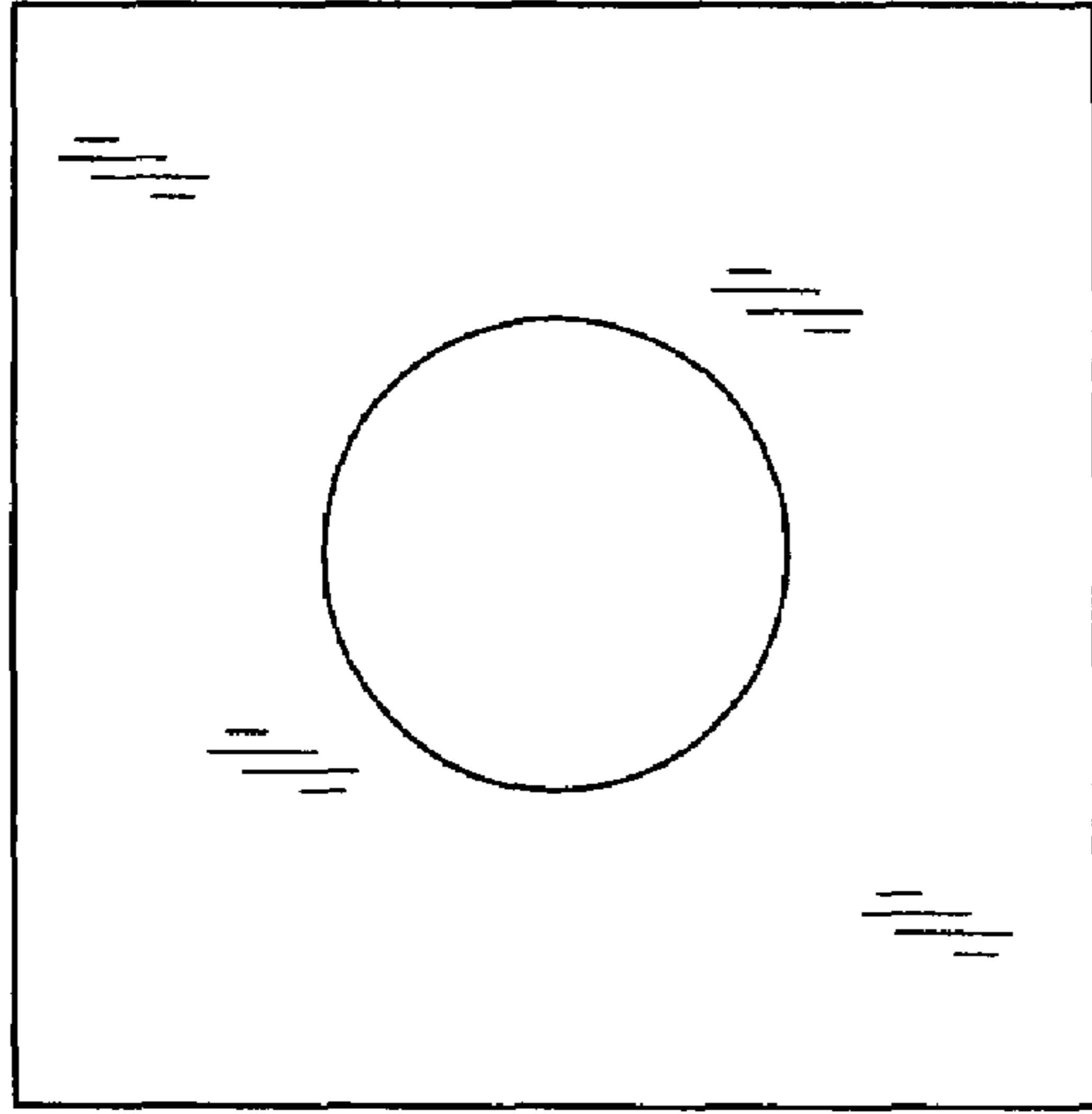


FIG. 7

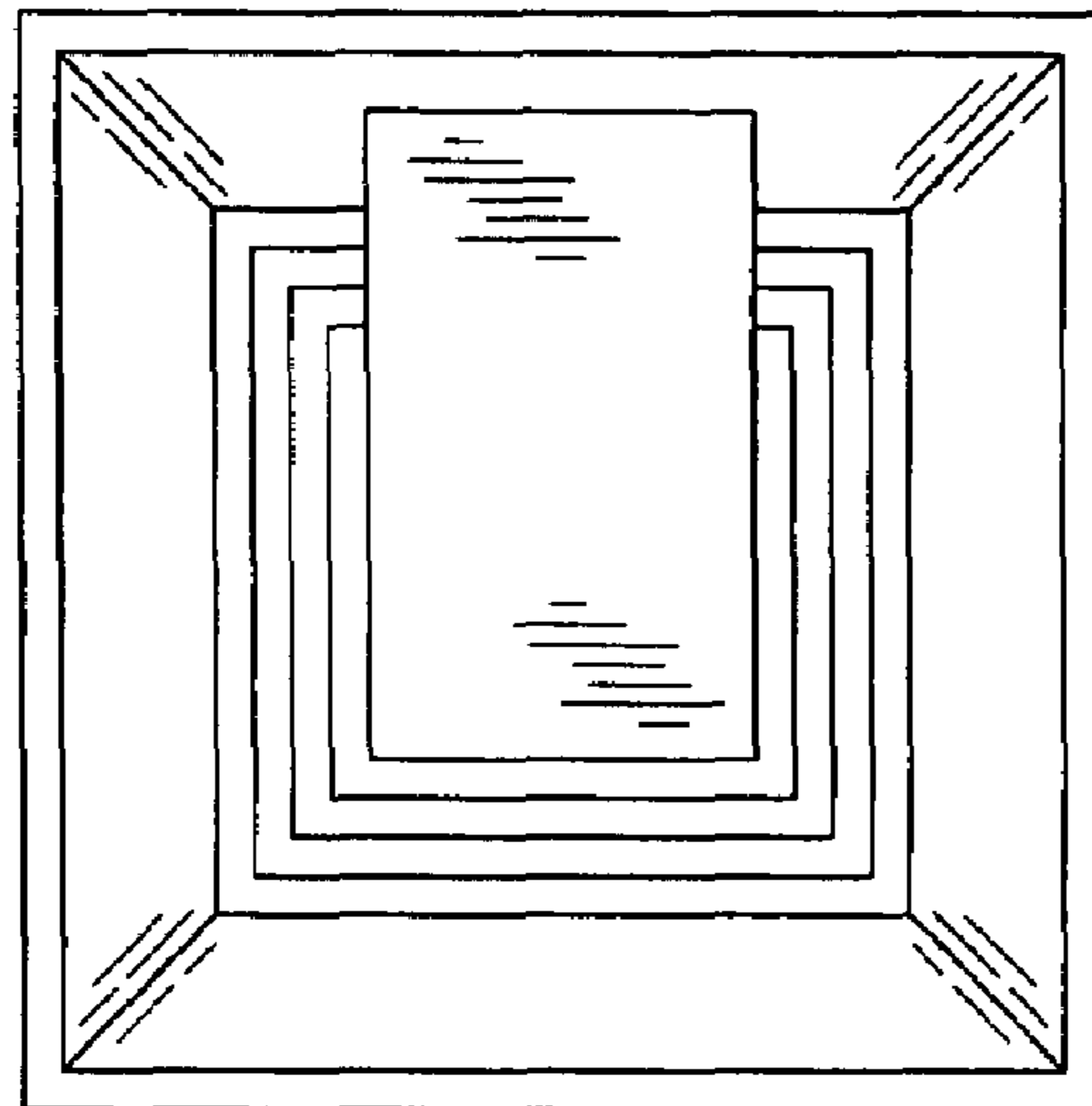
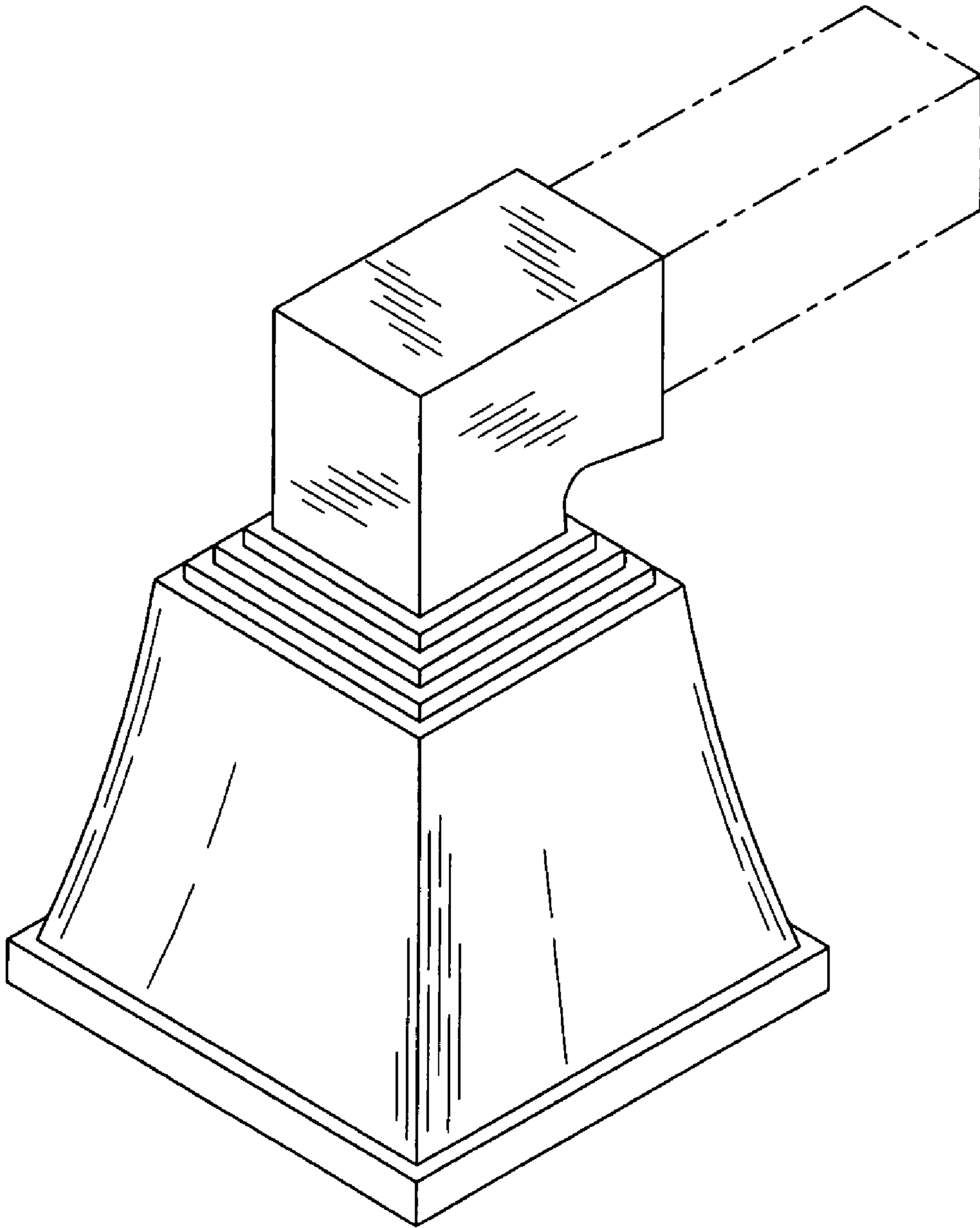
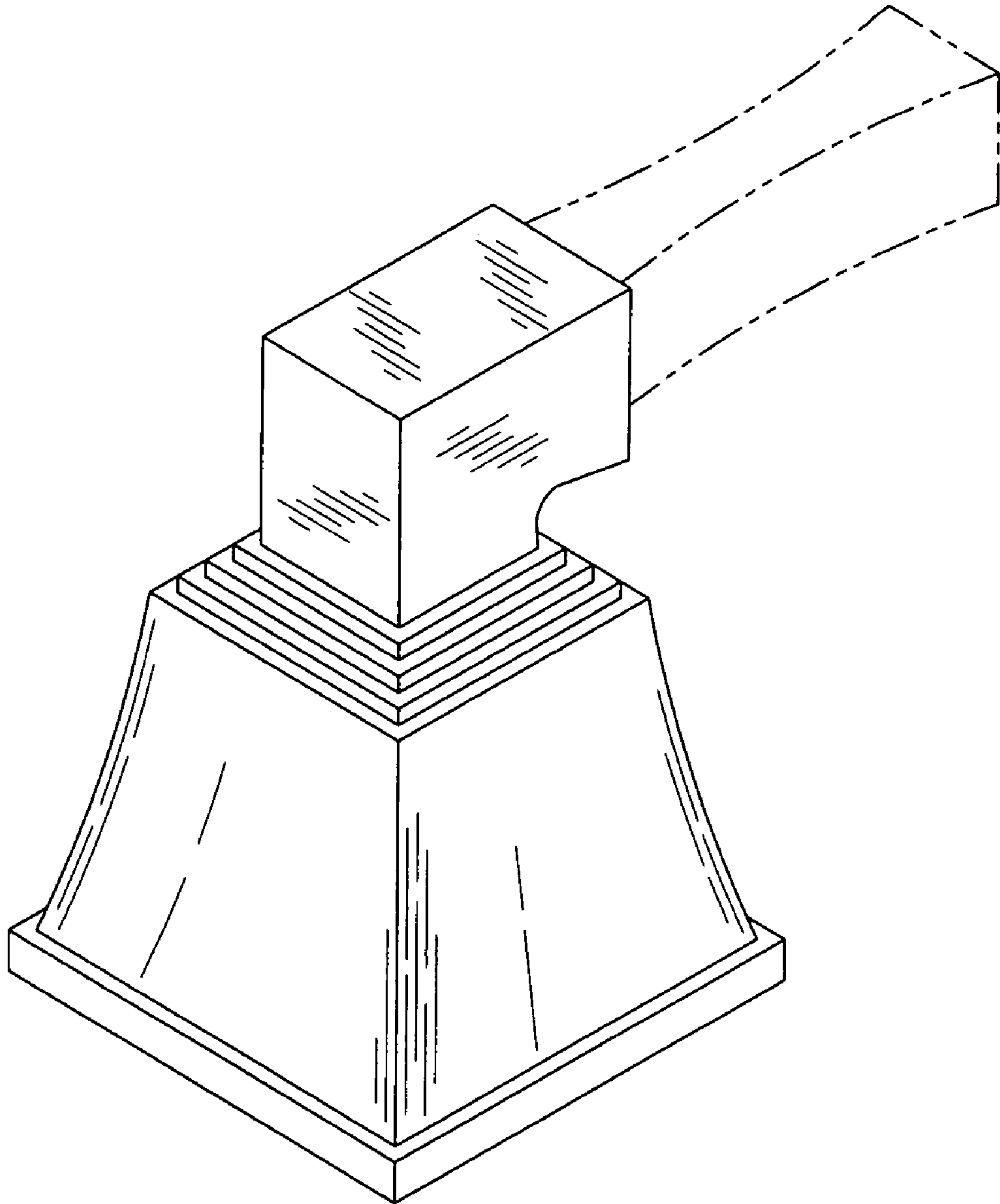


FIG. 6

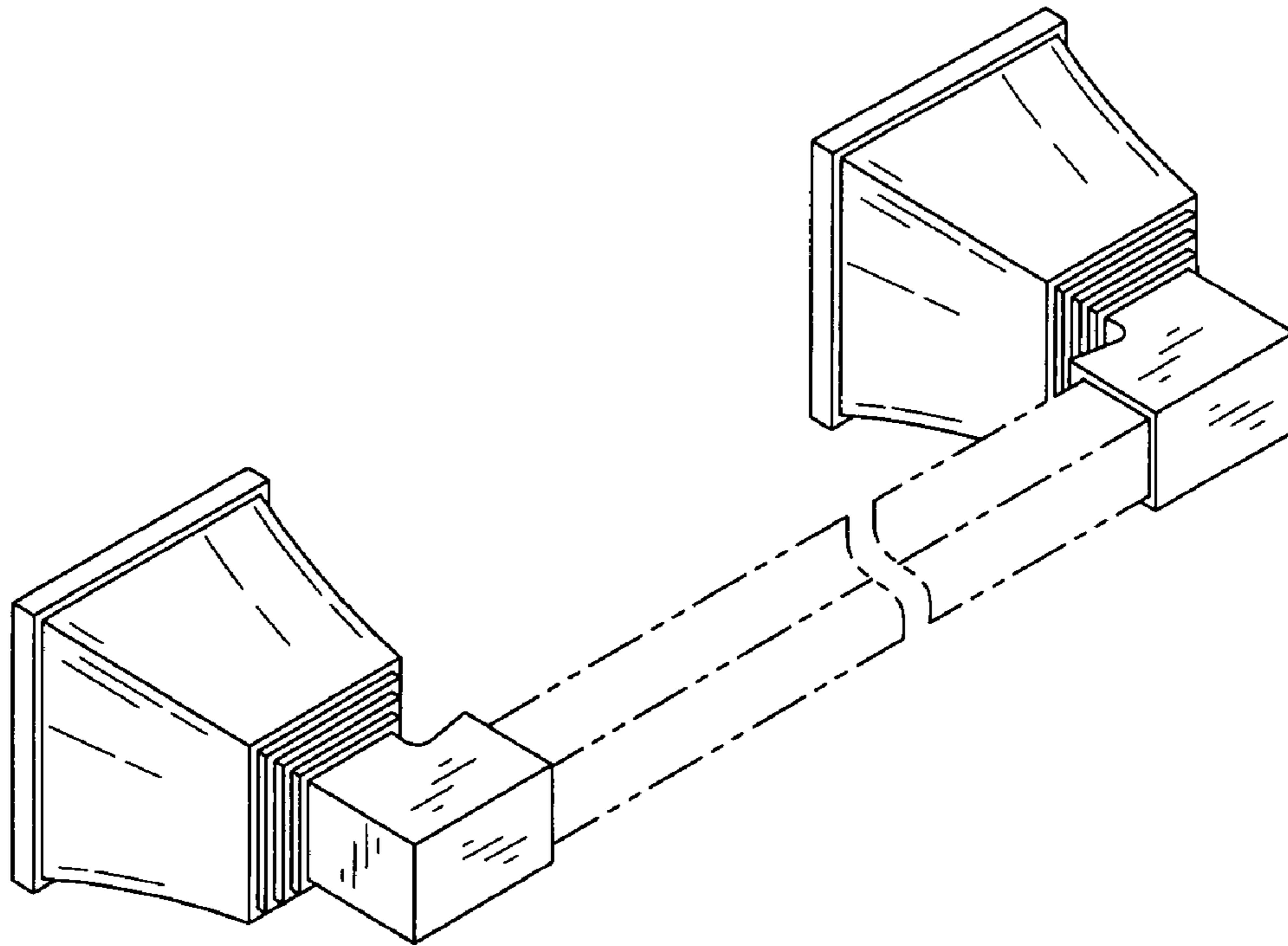


**FIG. 8**



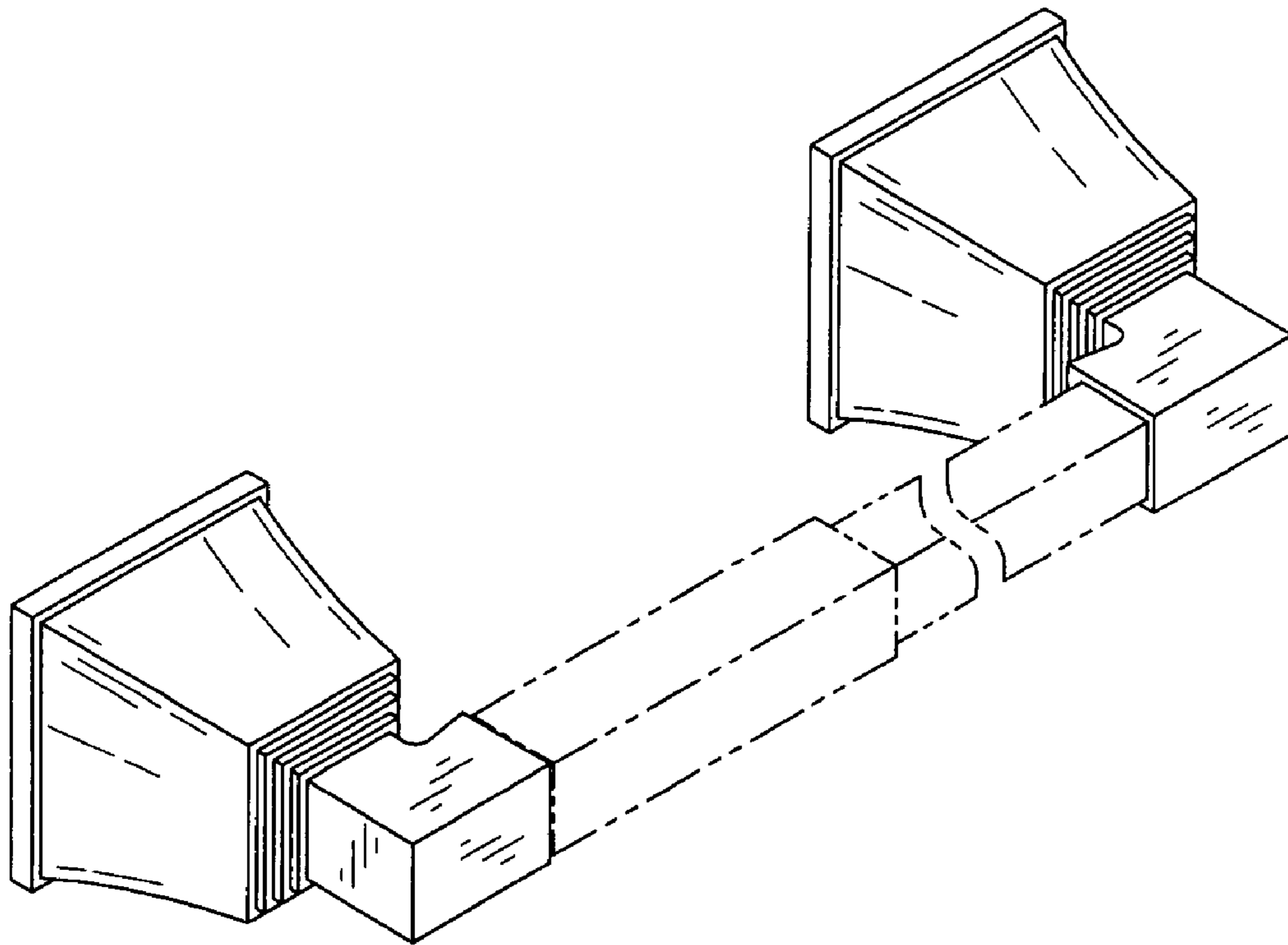
**FIG. 9**





**FIG. 10**





**FIG. 11**