



US00D573822S

(12) **United States Design Patent**  
**Yang et al.**

(10) **Patent No.:** **US D573,822 S**  
(45) **Date of Patent:** **\*\* Jul. 29, 2008**

(54) **TOILET PAPER HOLDER**

(75) Inventors: **Frank Yang**, Rancho Palos Verdes, CA (US); **Tzu-Hao Wei**, Hacienda Heights, CA (US); **Myk Wayne Lum**, Irvine, CA (US); **Adam C. Wade**, Rancho Santa Margarita, CA (US); **Di-Fong Chang**, Torrance, CA (US)

(73) Assignee: **Simplehuman LLC**, Torrance, CA (US)

(\*\*) Term: **14 Years**

(21) Appl. No.: **29/289,265**

(22) Filed: **Jul. 13, 2007**

(51) **LOC (8) Cl.** ..... **23-02**

(52) **U.S. Cl.** ..... **D6/523**

(58) **Field of Classification Search** ..... D6/520-525,  
D6/546-550; D8/300, 303, 307, 315, 321,  
D8/354, 363, 373, 380; 108/28-29; 211/13.1,  
211/16, 60.1, 86.01, 87.01, 88.01, 88.04,  
211/100, 105.1, 105.02; 248/175, 176.1,  
248/200, 214, 309.1; 242/570, 590, 595-598;  
206/389, 557

See application file for complete search history.

(56) **References Cited**

**U.S. PATENT DOCUMENTS**

D461,668 S \* 8/2002 Zadro ..... D6/525  
D462,552 S \* 9/2002 Emery et al. .... D6/525  
D476,835 S \* 7/2003 Lai ..... D6/523

**OTHER PUBLICATIONS**

Website page, <http://www.target.com>, Metalo Magazine/Tissue Stand.

Website page, <http://www.target.com>, Stainless Steel/ Paper Towel and Toilet Tissue Holder.

Website page, <http://www.target.com>, Cero Toilet Tissue Stand.

Website page, <http://www.target.com>, Kingston Brass Free Standing Polished Brass Toilet Paper Holder.

Website page, <http://www.target.com>, Kingston Brass Oil Rubbed Bronze Toilet Paper Holder.

Website page, <http://www.containerstore.com>, Classico Overtank Bath Tissue Holder.

Website page, <http://www.target.com>, Classico Roll Stand Plus.

Website page, <http://www.bedbathandbeyond.com>, Deluxe Pedestal Oil Rubbed Bronze Toilet Paper Holder.

\* cited by examiner

*Primary Examiner*—Brian N Vinson

(74) *Attorney, Agent, or Firm*—Liu & Liu

(57) **CLAIM**

The ornamental design for the toilet paper holder, as shown and described.

**DESCRIPTION**

FIG. 1 is a right side elevation view of a toilet paper holder showing our new design;

FIG. 2 is a front view thereof;

FIG. 3 is a rear view thereof;

FIG. 4 is a left side view thereof;

FIG. 5 is a right side view thereof;

FIG. 6 is a top plan view thereof; and,

FIG. 7 is a bottom plan view thereof.

**1 Claim, 7 Drawing Sheets**

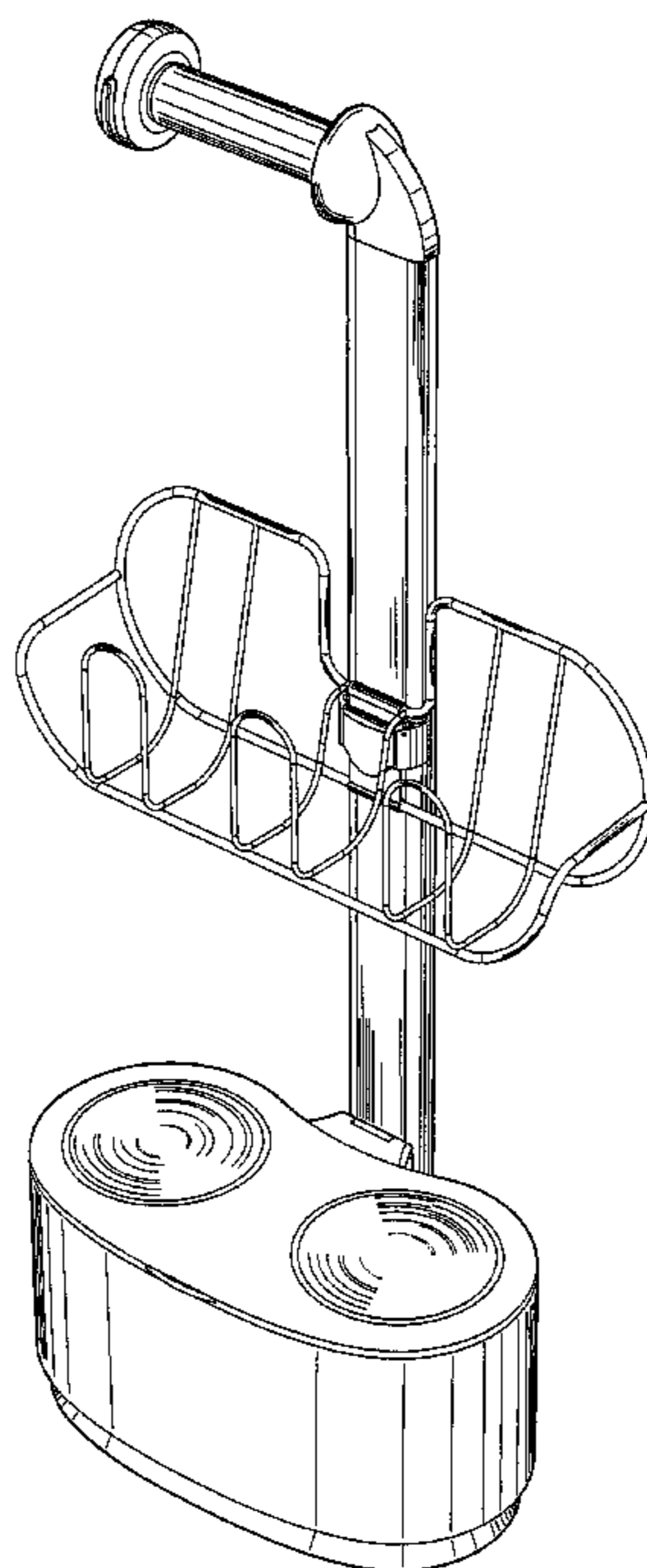


FIG. 1

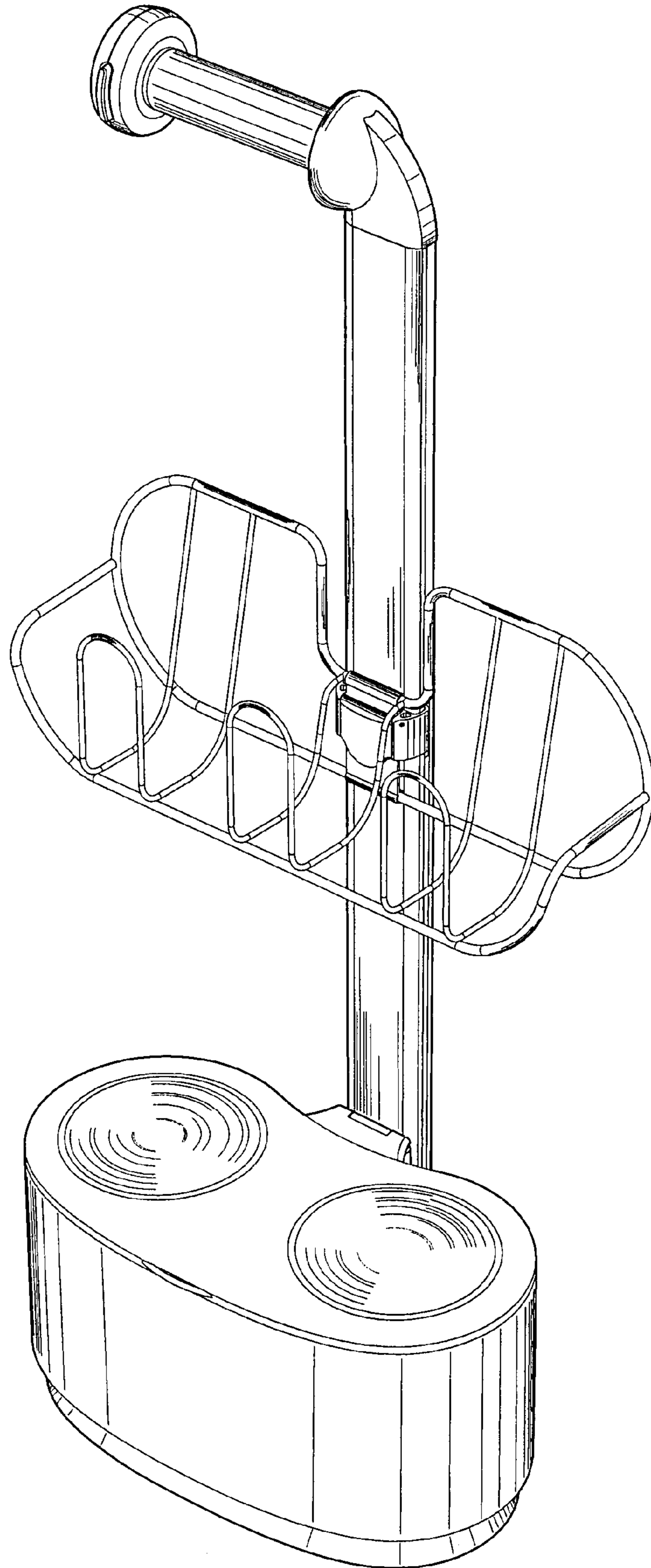


FIG. 2

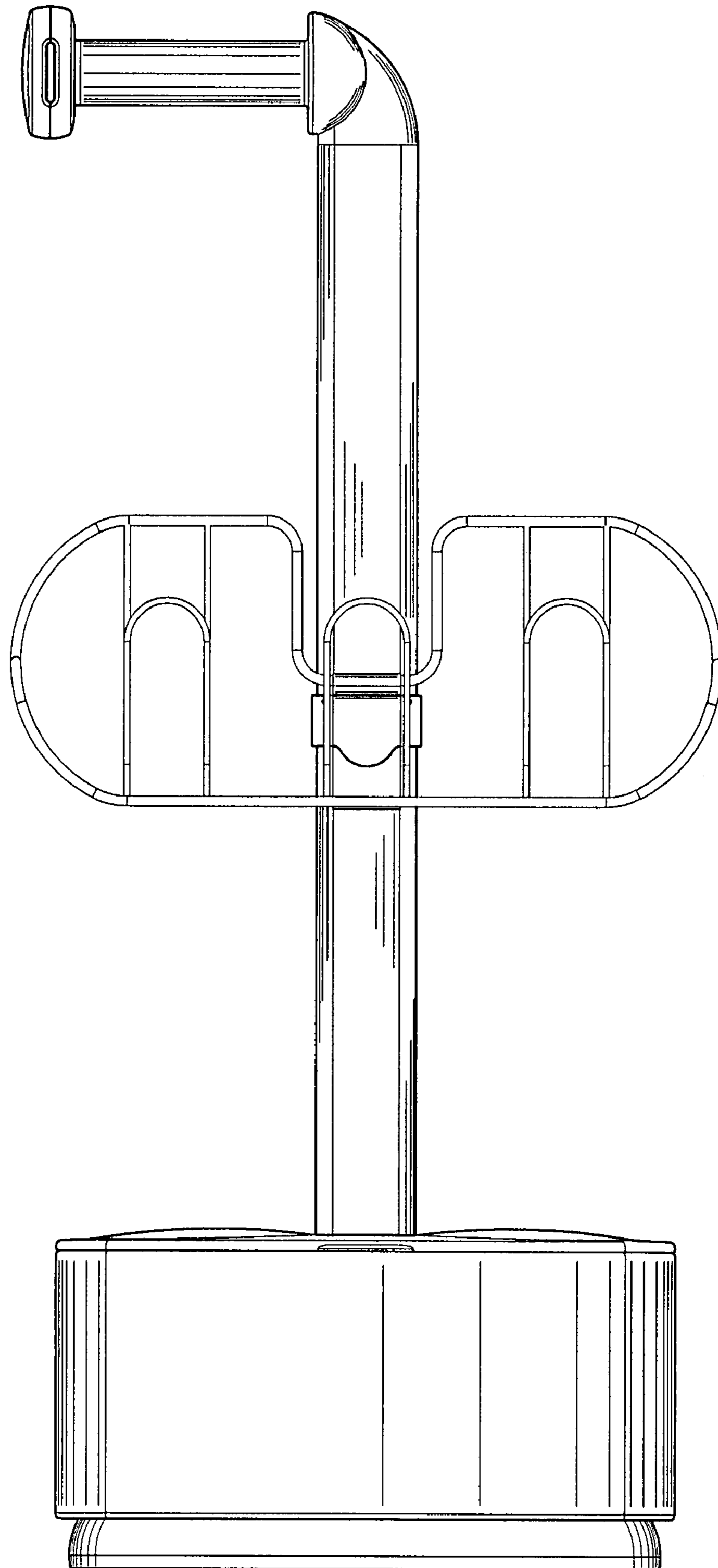


FIG. 3

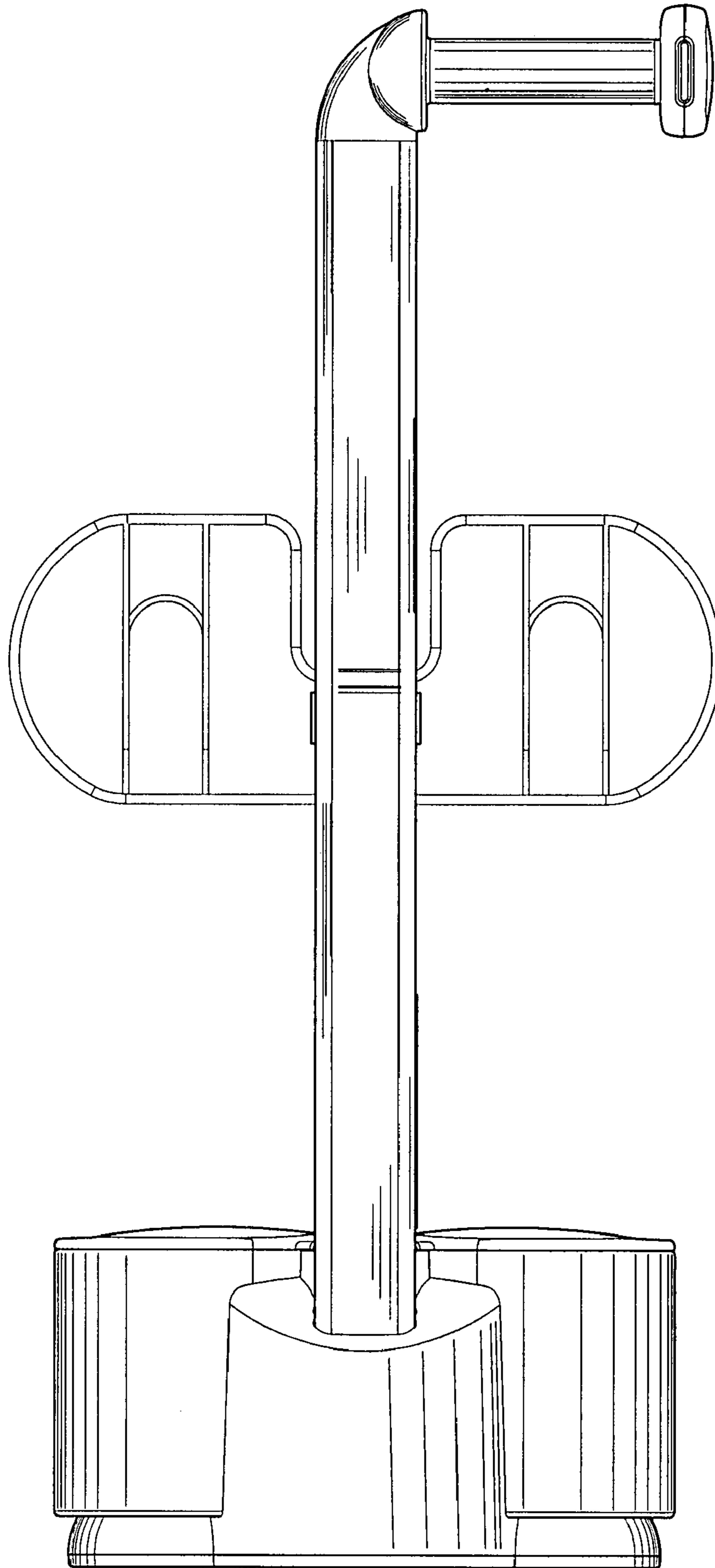


FIG. 4

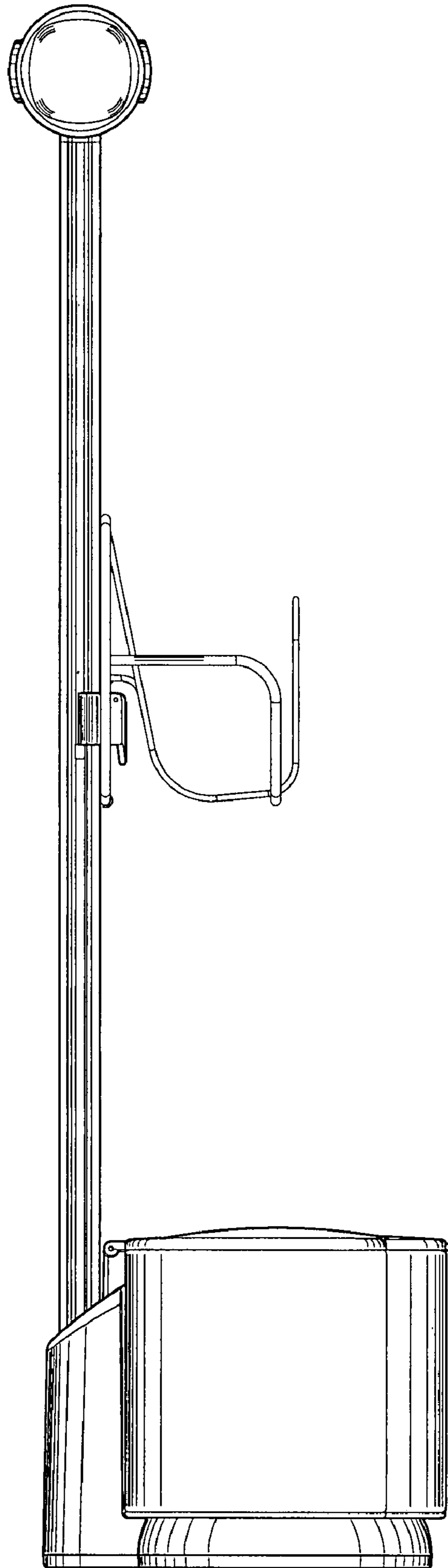


FIG. 5

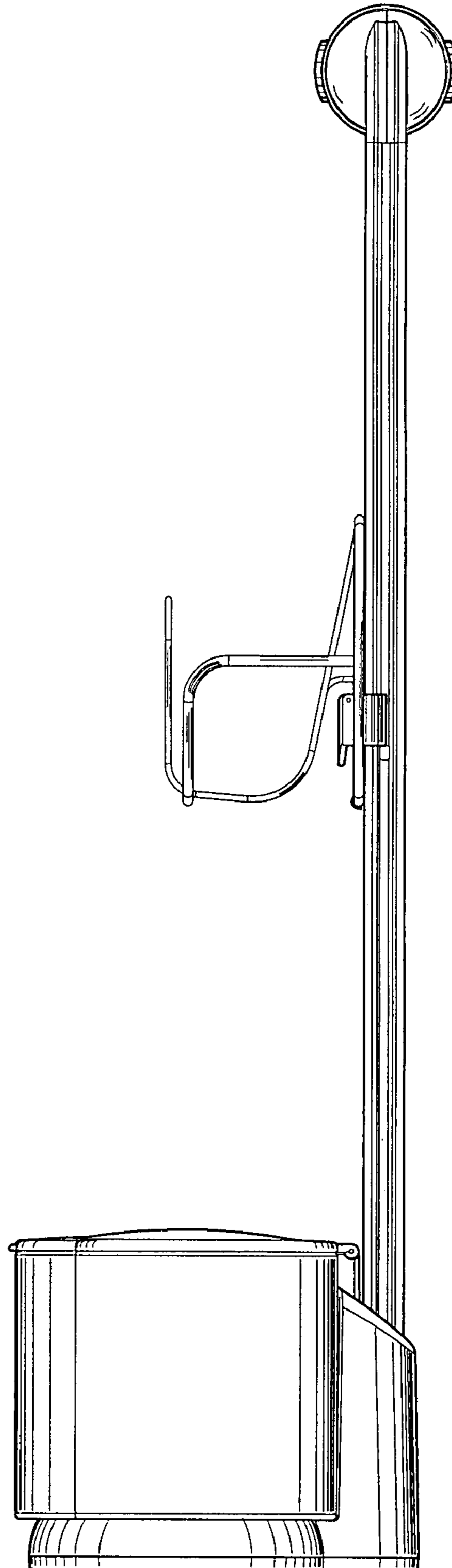


FIG. 6

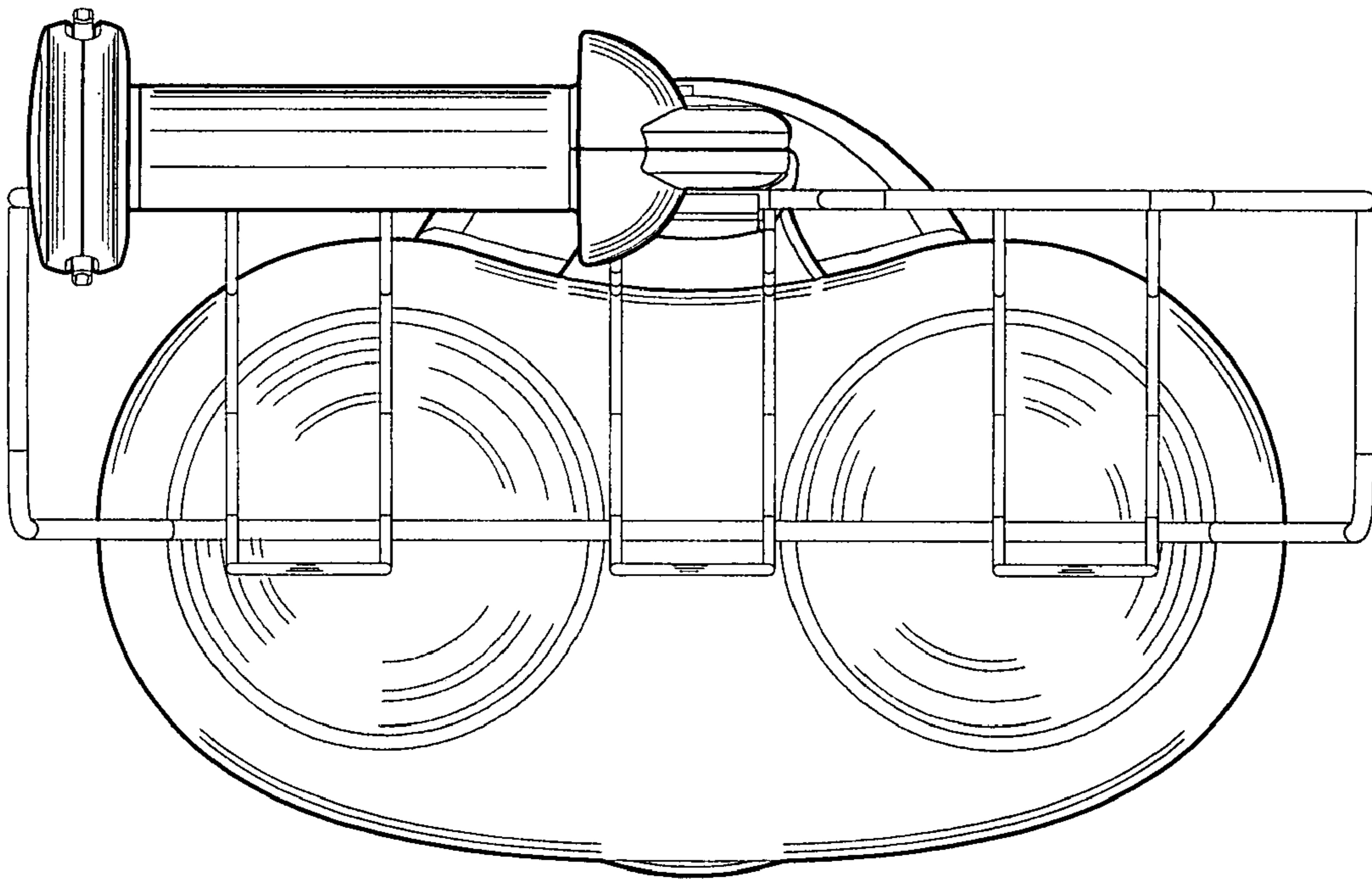


FIG. 7

