



US00D573821S

(12) **United States Design Patent**  
**Rubin et al.**

(10) **Patent No.:** **US D573,821 S**

(45) **Date of Patent:** **\*\* Jul. 29, 2008**

(54) **WALL MOUNTABLE SUPPORT**

(75) Inventors: **Leila M Rubin**, Sheboygan, WI (US);  
**Herbert V. Kohler, Jr.**, Kohler, WI (US)

(73) Assignee: **Kohler Co.**, Kohler, WI (US)

(\*\*) Term: **14 Years**

(21) Appl. No.: **29/279,813**

(22) Filed: **May 8, 2007**

(51) **LOC (8) Cl.** ..... **23-02**

(52) **U.S. Cl.** ..... **D6/523**

(58) **Field of Classification Search** ..... D6/515-524,  
D6/546-550; D8/300, 303, 315-321; 108/28-29;  
211/13.1, 16, 60.1, 86.01, 87.01, 88.01, 88.04,  
211/100, 105.1-105.2, 123, 181.1, 182; 248/175,  
248/176.1, 251, 302; 16/110.1, 412, 415;  
242/570, 590, 595-598

See application file for complete search history.

(56) **References Cited**

**U.S. PATENT DOCUMENTS**

D511,263 S	*	11/2005	Ferrer Beltran	.....	D6/523
D512,591 S	*	12/2005	Ferrer Beltran	.....	D6/523
D520,787 S	*	5/2006	Ferrer Beltran	.....	D6/523
D521,288 S	*	5/2006	Barry	.....	D6/523
D522,294 S	*	6/2006	Ferrer Beltran	.....	D6/523

**OTHER PUBLICATIONS**

Hansgrohe. "Citterio Toilet Paper Holder". Model No. 41738000.  
LowCostPlumbing.com online catalog. Copyright 2006  
Lowcostplumbing.com.

Sonia. "Eletech covered Toilet Paper Holder". HomePortfolio.com  
online catalog. Copyright 1997-2007 HomePortfolio Inc.

Keuco. "Trapez Toilet Paper Holder". HomePortfolio.com online  
catalog. Copyright 1997-2007 HomePortfolio.com.

Kohler Co. "Salute toilet roll holder". Model No. 19426W. Kohler  
Co. catalog, p. 91. Copyright 2003 Kohler Co.

\* cited by examiner

*Primary Examiner*—Brian N Vinson

(74) *Attorney, Agent, or Firm*—Quarles & Brady LLP

(57) **CLAIM**

The ornamental design for a wall mountable support, as  
shown and described.

**DESCRIPTION**

In a preferred embodiment, the nature of this product is a wall  
mountable support, such as a toilet paper holder.

FIG. 1 is a left, top, front perspective view of a wall mountable  
support according to our new design;

FIG. 2 is a front elevational view thereof;

FIG. 3 is a left side elevational view thereof, the right side  
elevational view being a mirror image the left side shown;

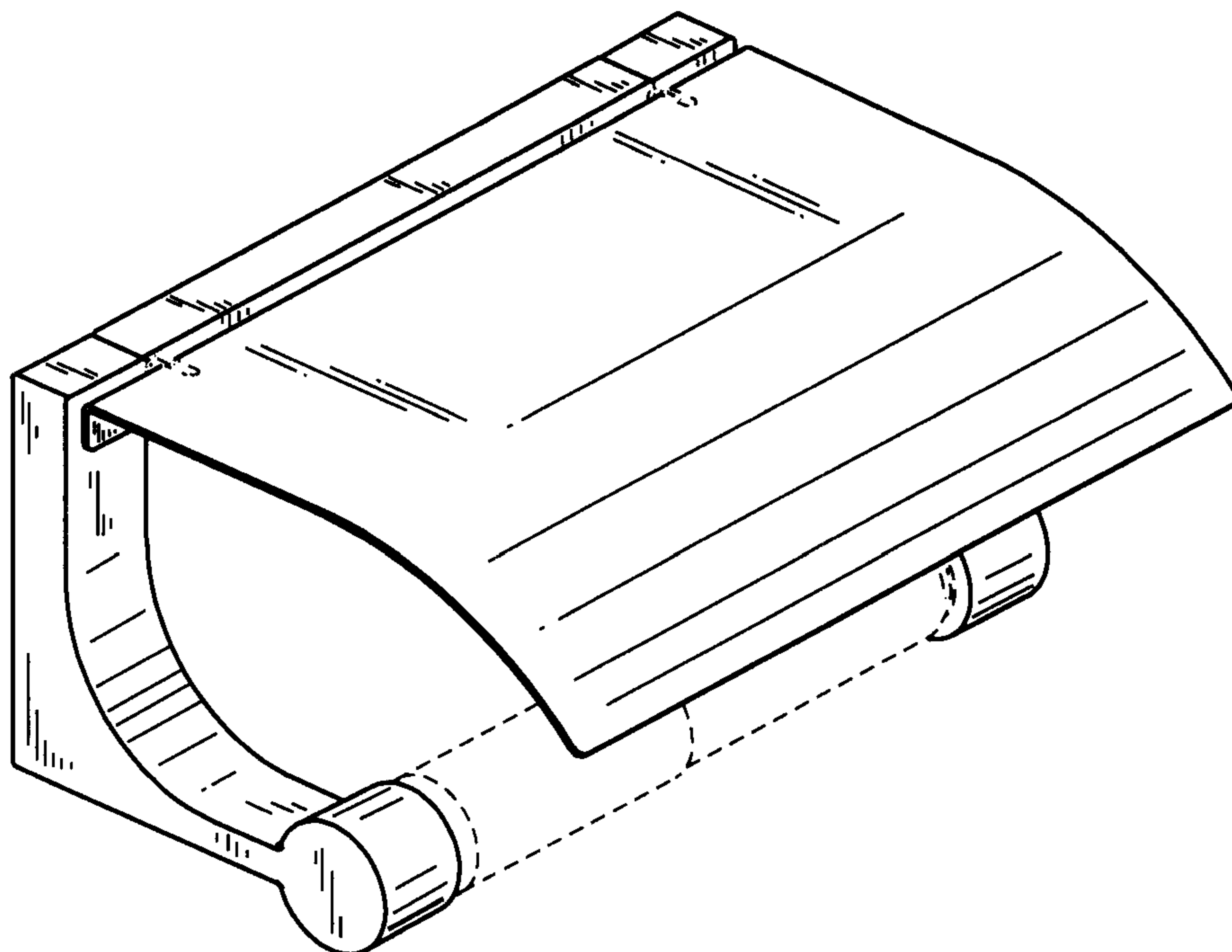
FIG. 4 is a top plan view thereof;

FIG. 5 is a bottom plan view thereof; and,

FIG. 6 is a rear elevational view thereof.

The broken line representations of bar environment in FIGS.  
1-2 and 5-6, of hinge structure in FIGS. 1 and 3-5 and of rear  
structure in FIG. 6, are for the purpose of illustration only, and  
form no part of the claimed design.

**1 Claim, 3 Drawing Sheets**



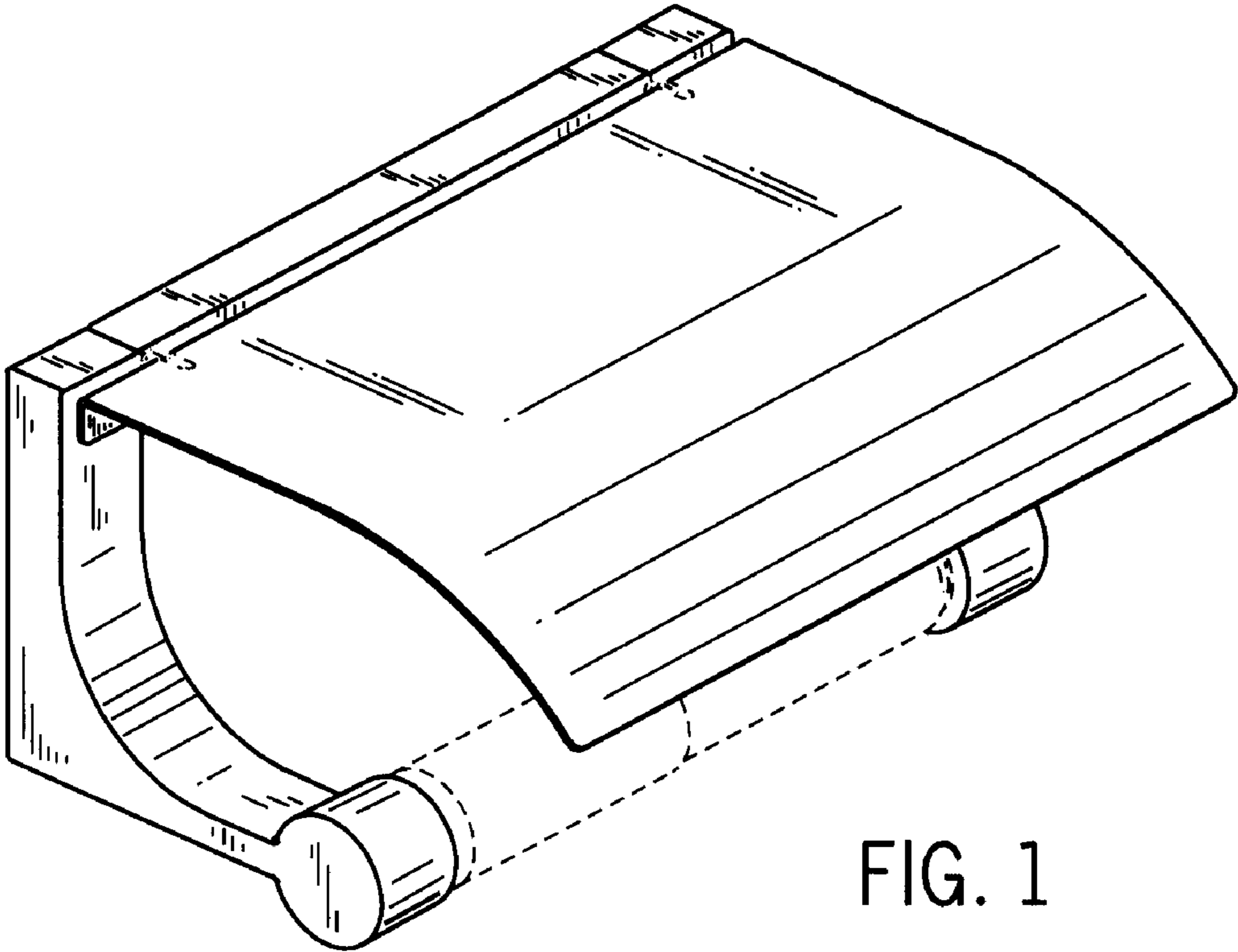


FIG. 1

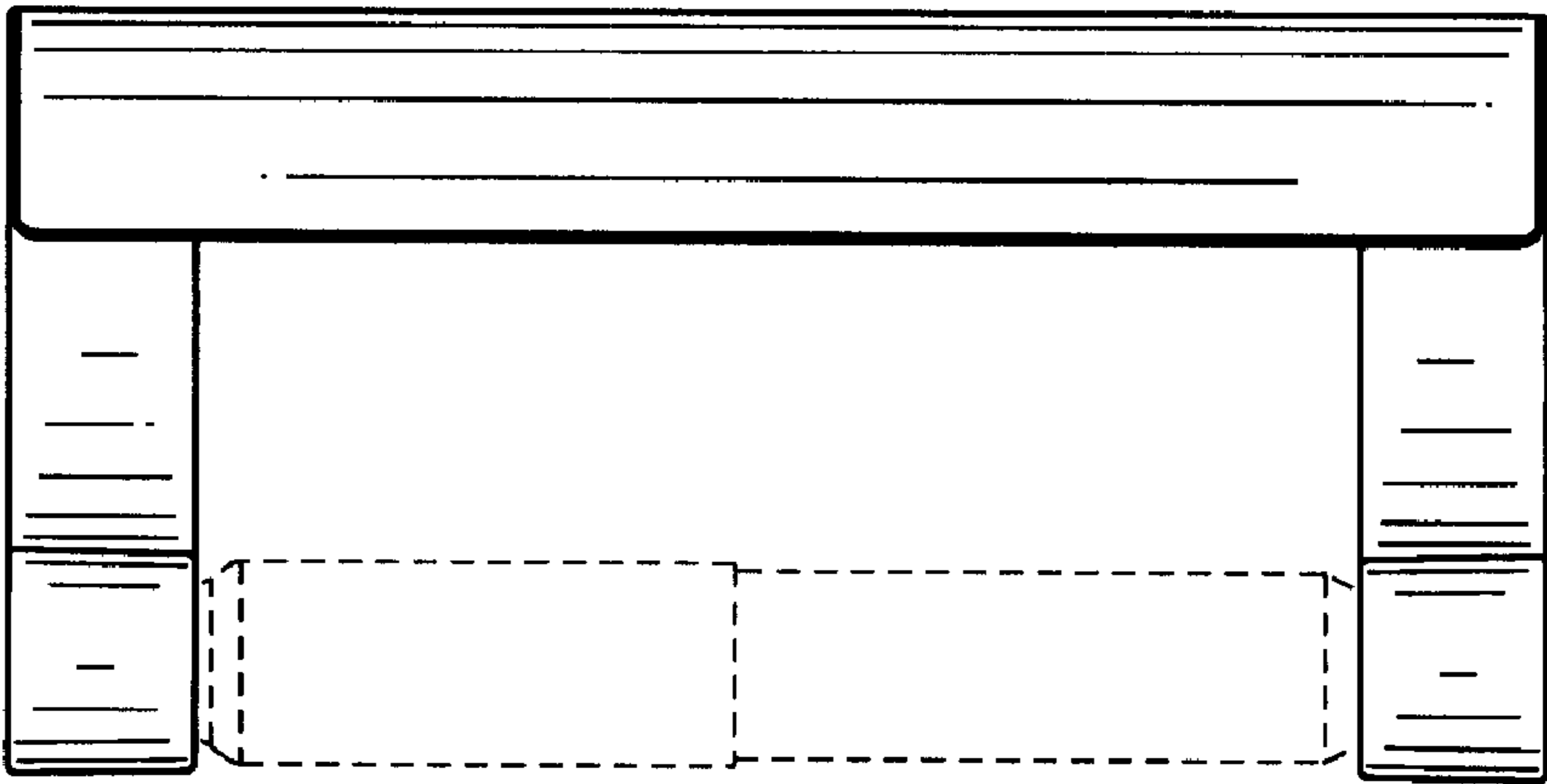


FIG. 2

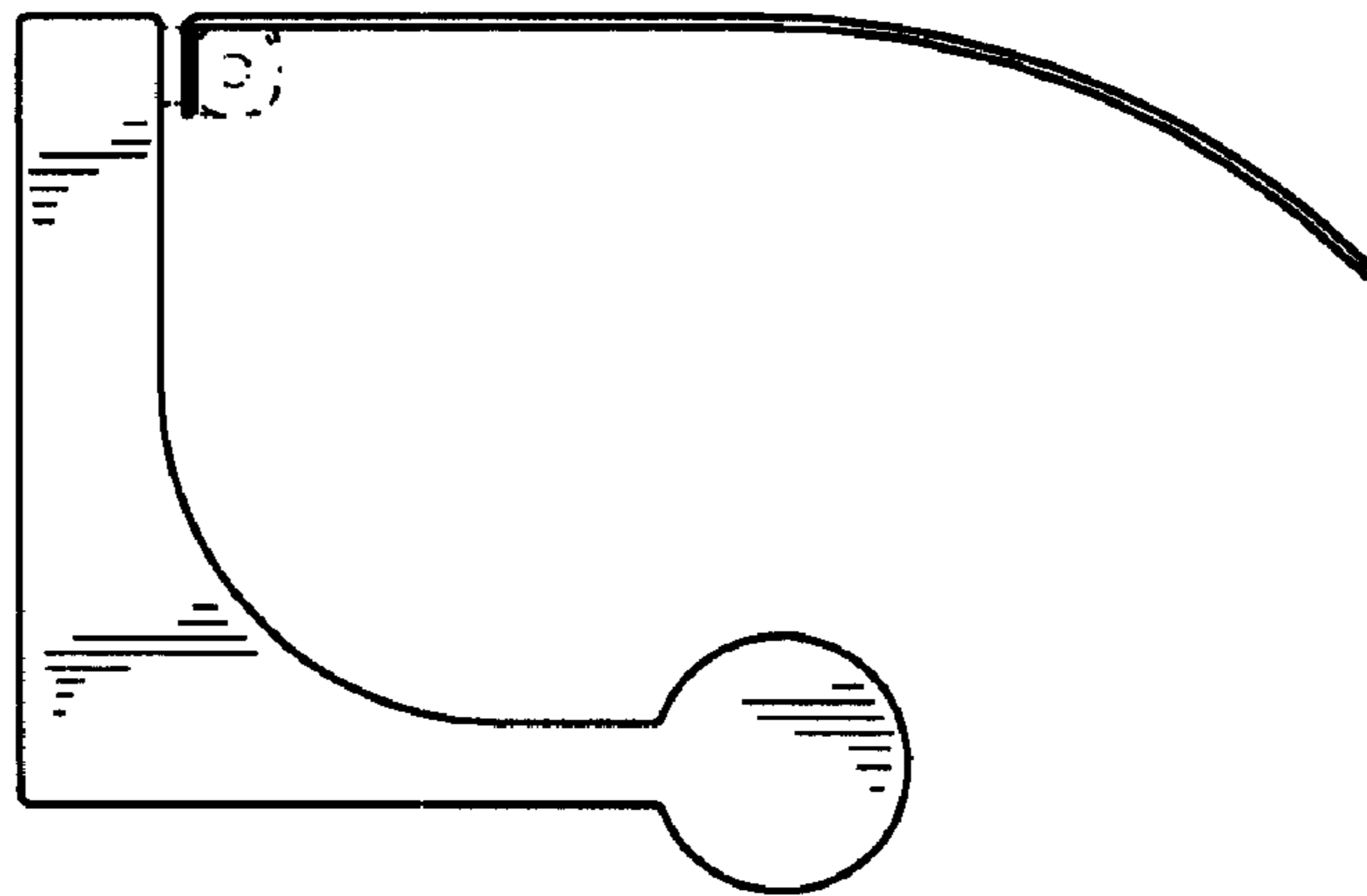


FIG. 3

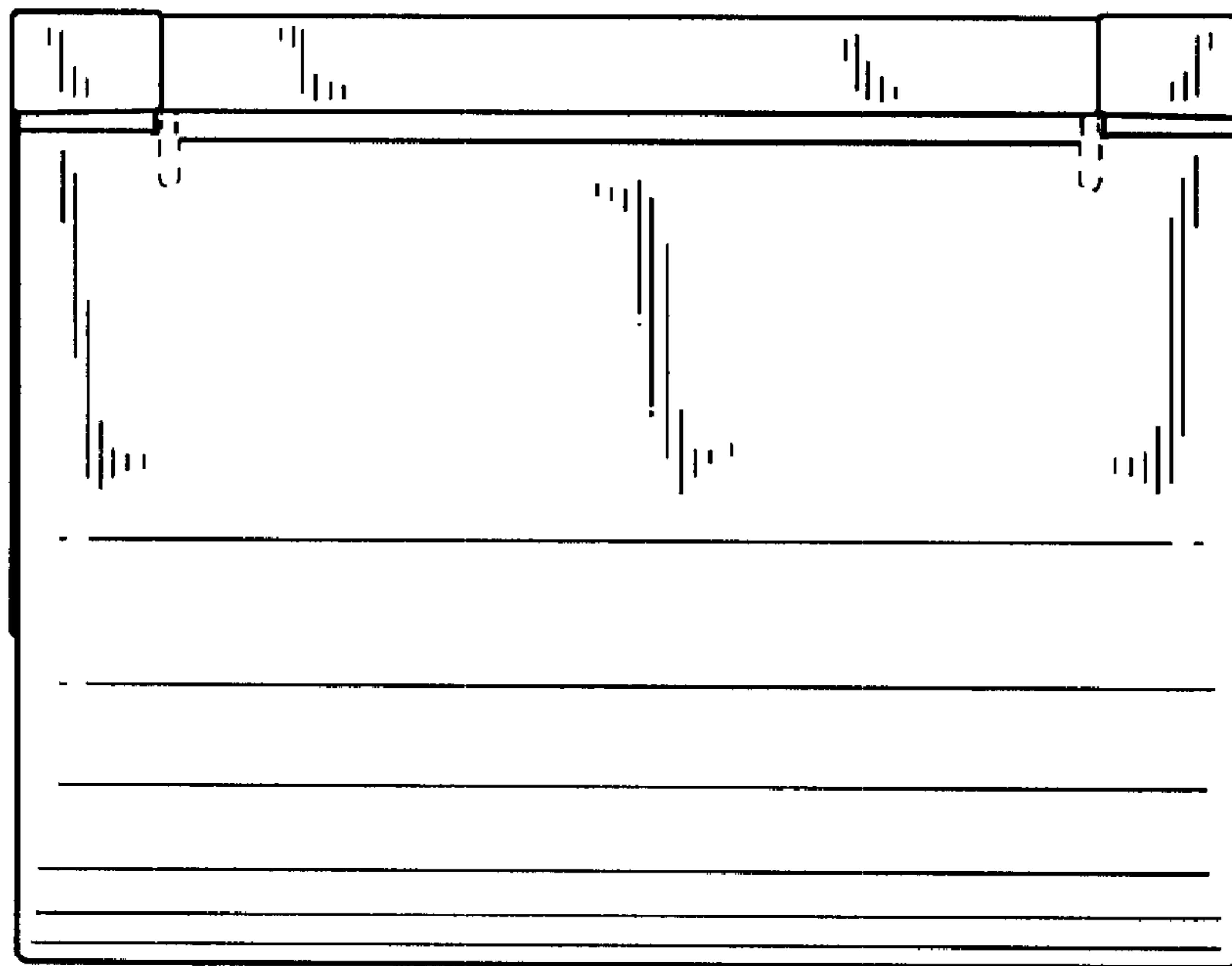


FIG. 4

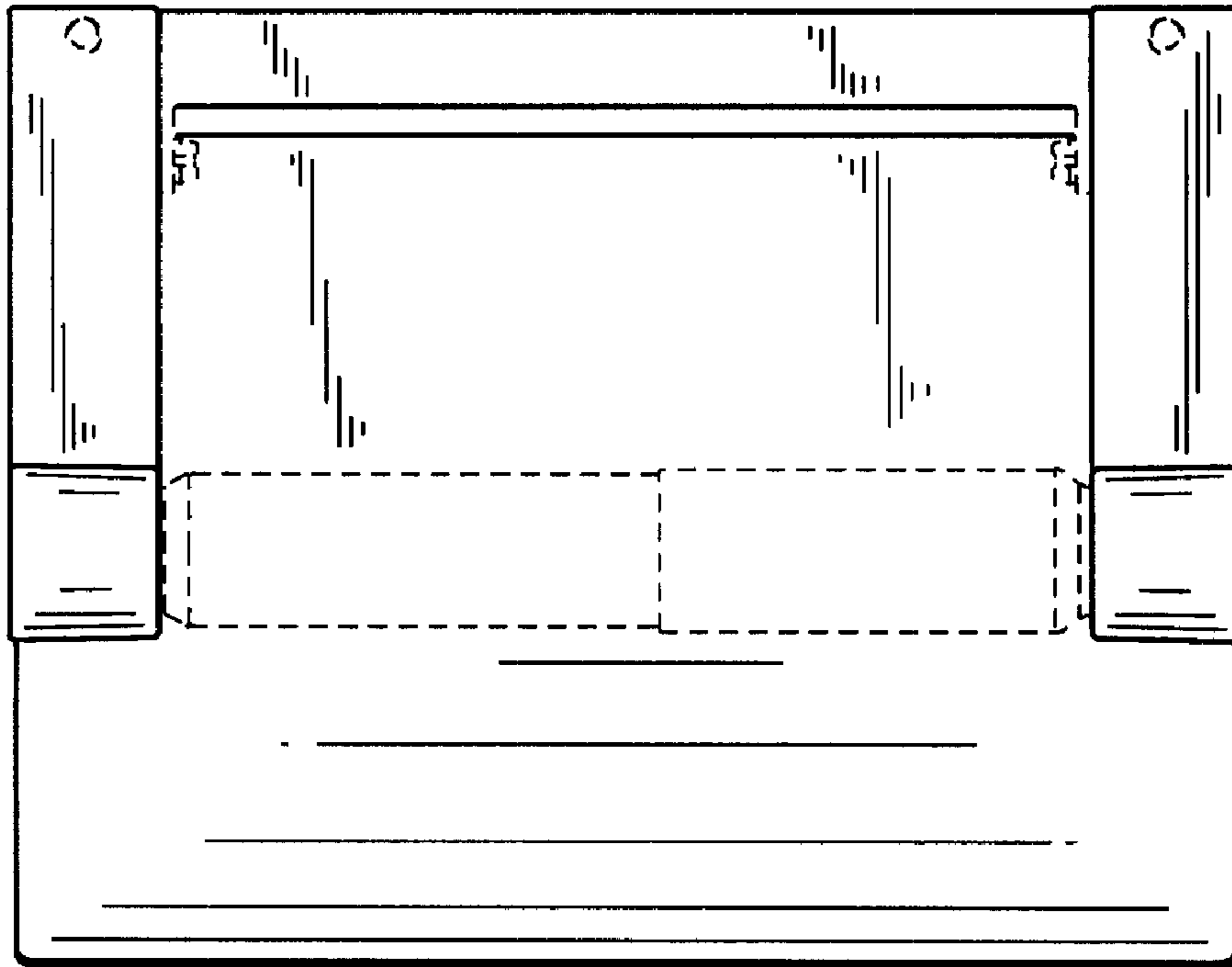


FIG. 5

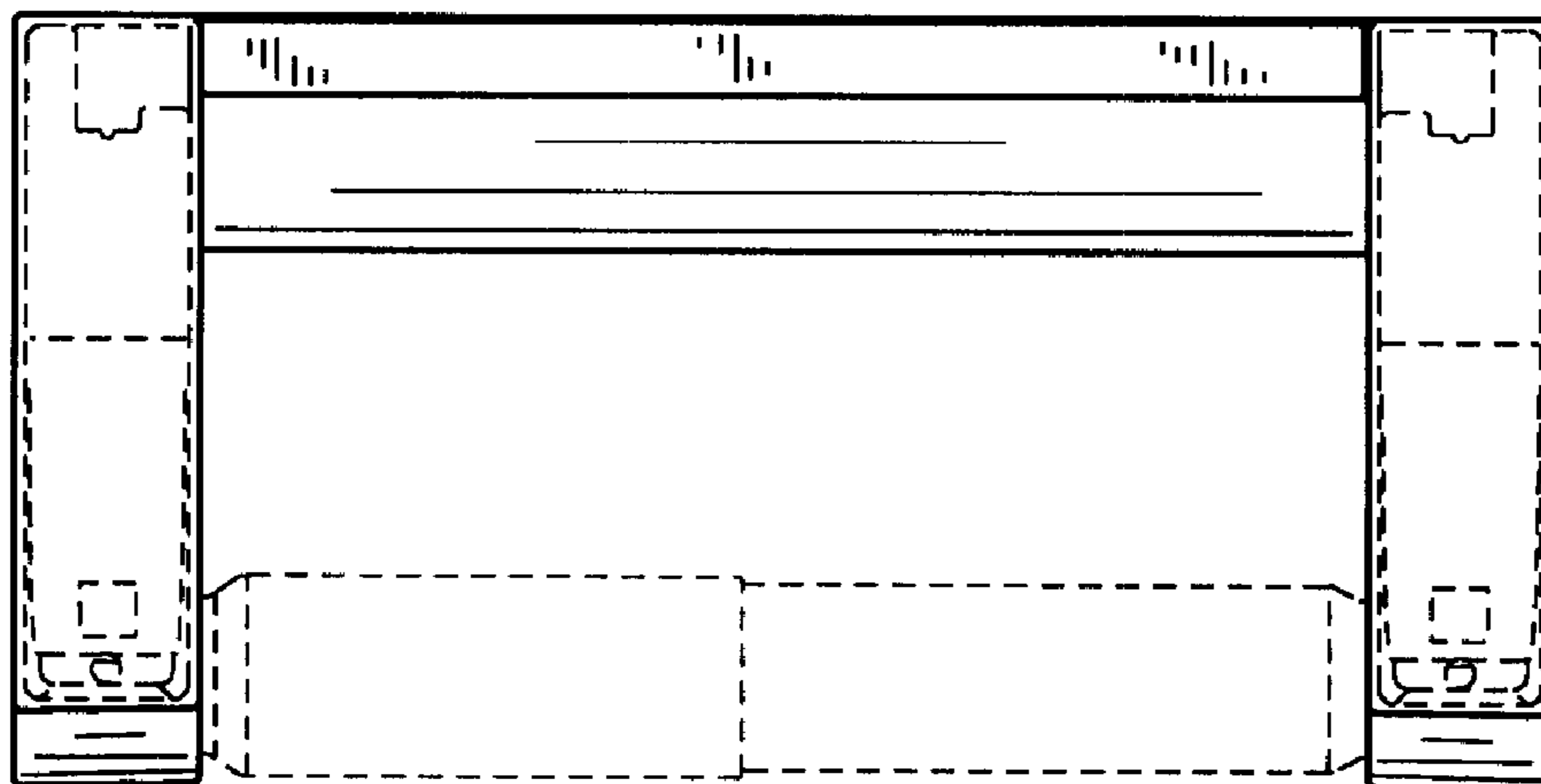


FIG. 6