



US00D573817S

(12) **United States Design Patent**  
**Su**

(10) **Patent No.:** **US D573,817 S**  
(45) **Date of Patent:** **\*\* Jul. 29, 2008**

(54) **CHAIR BACKREST**

D553,886 S \* 10/2007 Su ..... D6/502

(76) Inventor: **Shu O Su**, No. 3, Keji 2nd Rd., Annan District, Tainan City (TW)

\* cited by examiner

(\*\*) Term: **14 Years**

*Primary Examiner*—Mimosa De  
(74) *Attorney, Agent, or Firm*—Pro-Techtor Int'l Services

(21) Appl. No.: **29/291,624**

(57) **CLAIM**

(22) Filed: **Sep. 7, 2007**

The ornamental design for a chair backrest, as shown and described.

(51) **LOC (8) Cl.** ..... **06-01**

(52) **U.S. Cl.** ..... **D6/502; D6/366**

(58) **Field of Classification Search** ..... D6/334–336,  
D6/364, 365, 366, 367, 369, 379, 380, 500–502;  
297/284.4, 300.2, 411.27, 411.36, 452.13,  
297/452.29, 452.46, 452.56, 452.64  
See application file for complete search history.

**DESCRIPTION**

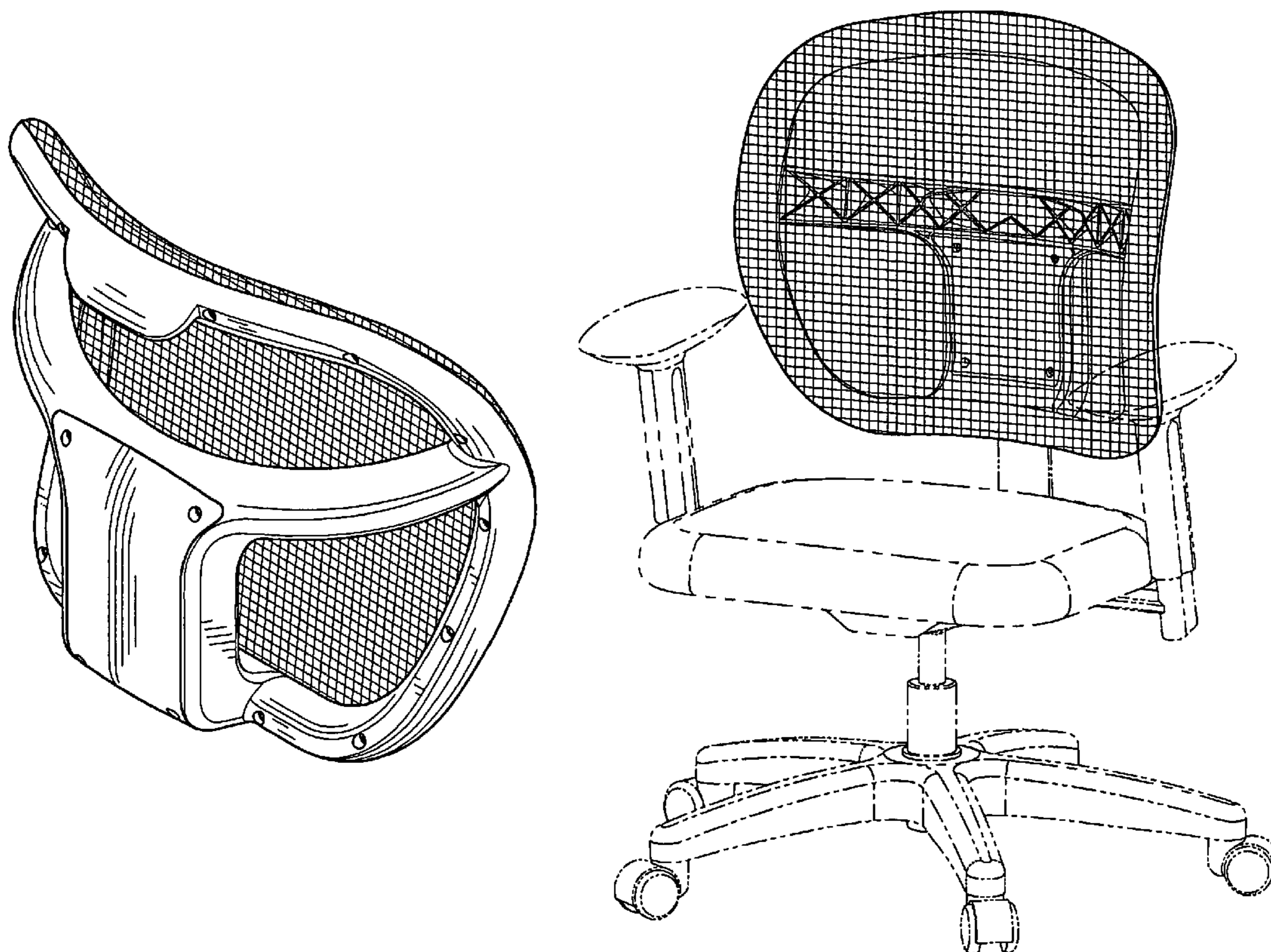
(56) **References Cited**

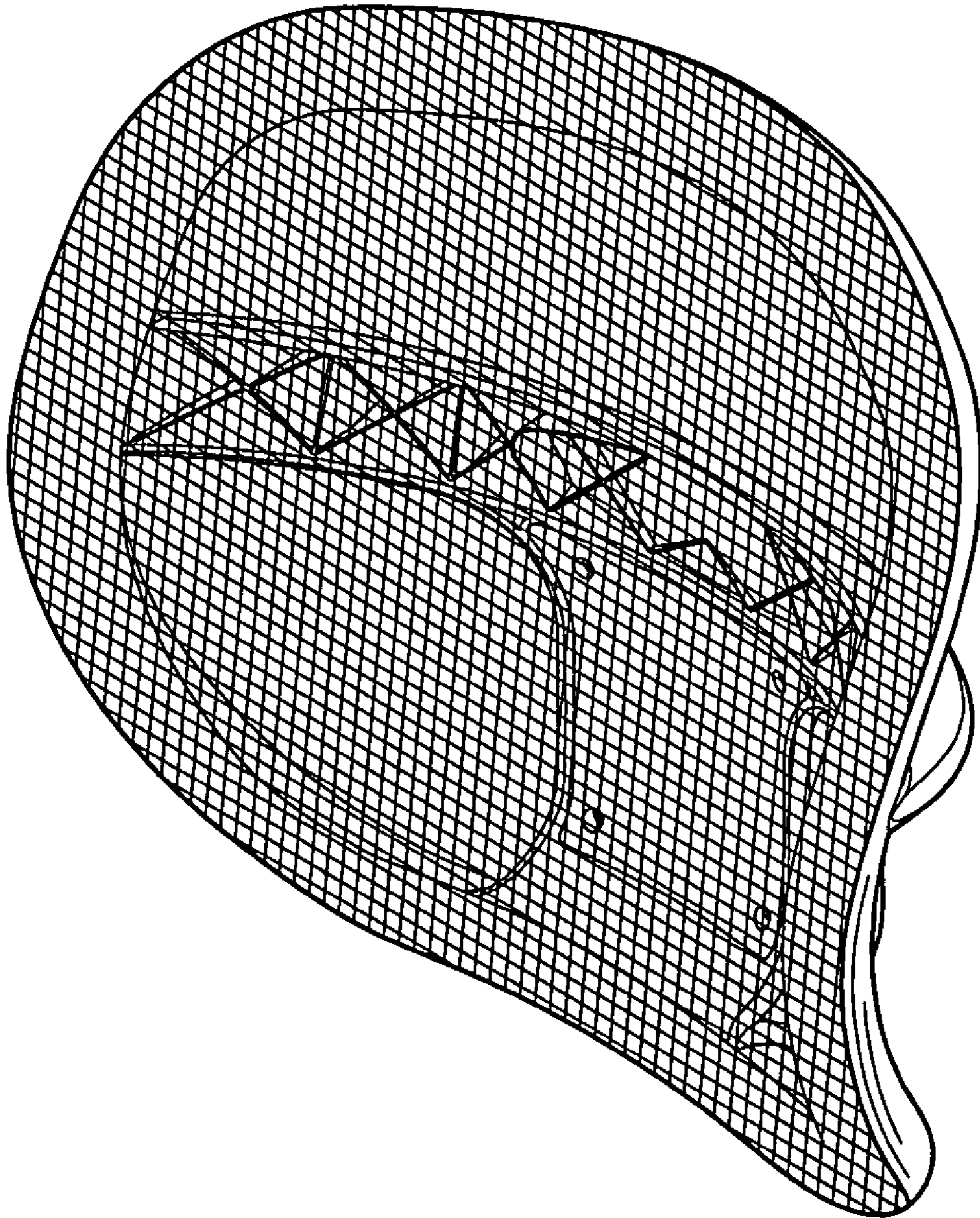
**U.S. PATENT DOCUMENTS**

- D489,191 S \* 5/2004 Ma ..... D6/366
- D510,488 S \* 10/2005 Su ..... D6/366
- D512,574 S \* 12/2005 Tsai ..... D6/366
- D516,828 S \* 3/2006 Tsai ..... D6/366
- D542,043 S \* 5/2007 Wu ..... D6/366
- D553,378 S \* 10/2007 Wang ..... D6/366

FIG. 1 is a perspective view of a chair backrest showing my new design;  
 FIG. 2 is a rear perspective view of the design;  
 FIG. 3 is a front view of the design;  
 FIG. 4 is a rear view of the design;  
 FIG. 5 is a left side view of the design;  
 FIG. 6 is a right side view of the design;  
 FIG. 7 is a top view of the design;  
 FIG. 8 is a bottom view of the design; and,  
 FIG. 9 is another perspective view of FIG. 1. The broken lines showing the remainder of the chair are for illustrative purposes only and form no part of the claimed design.

**1 Claim, 6 Drawing Sheets**





**FIG. 1**

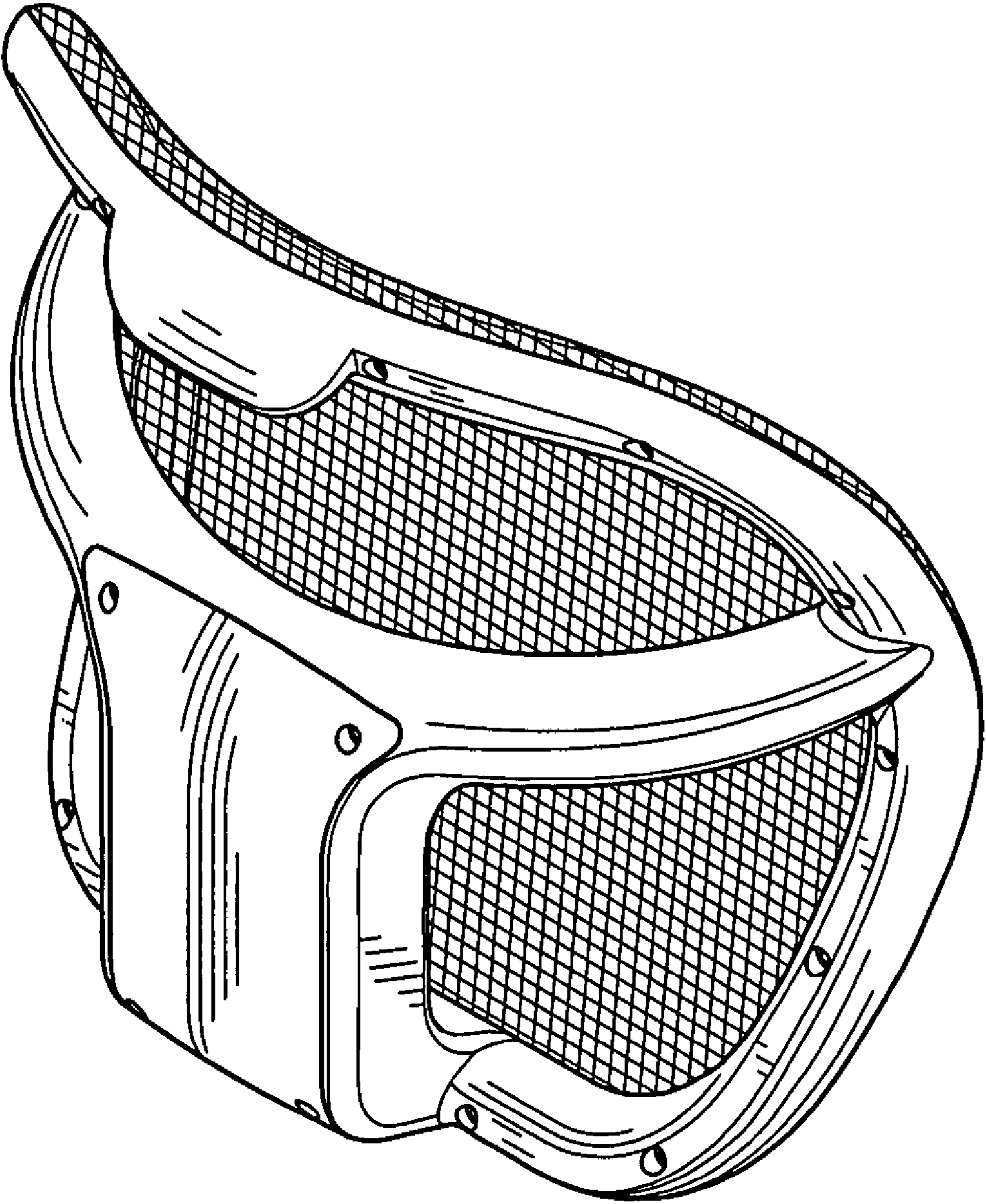


FIG. 2

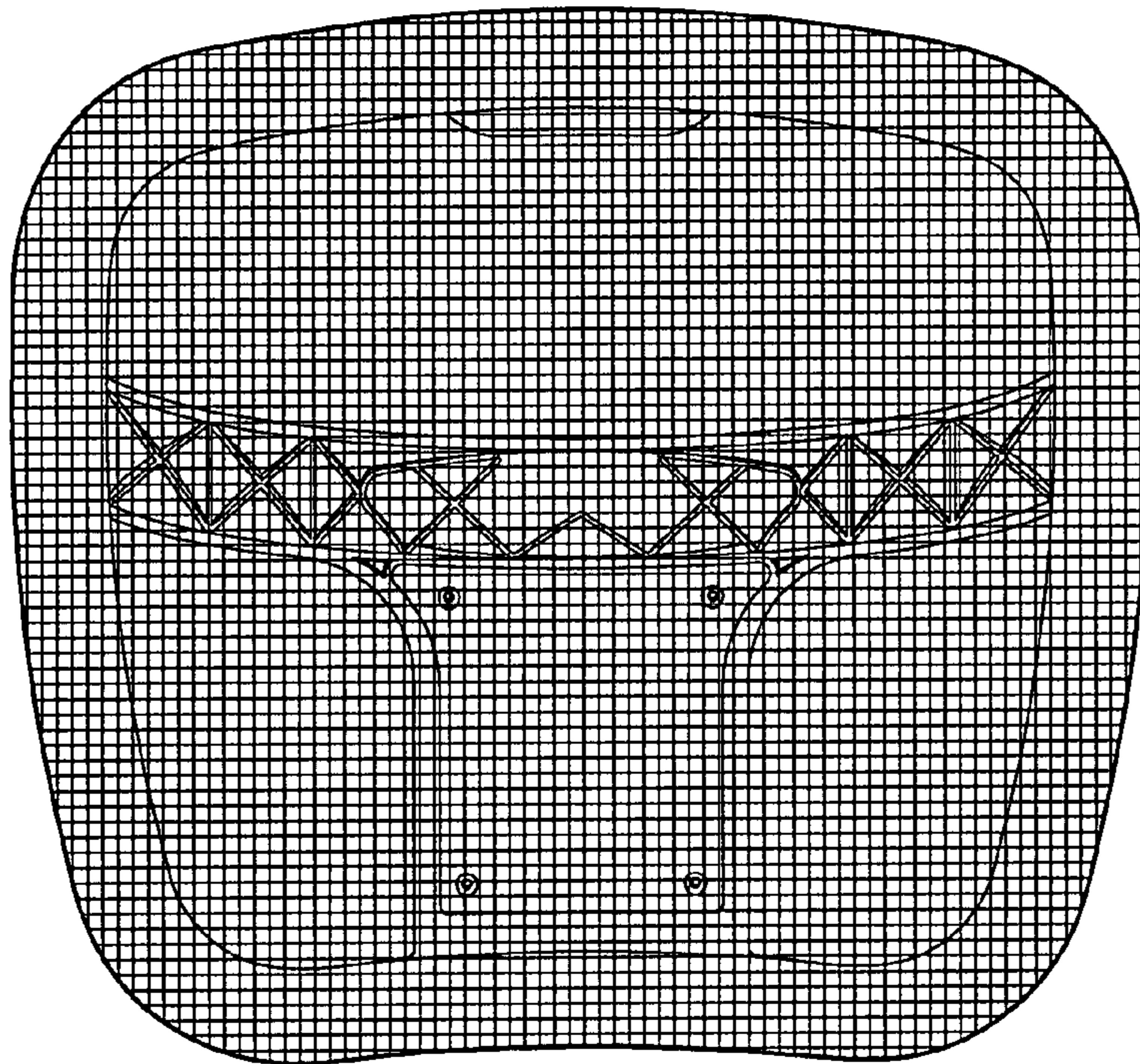


FIG. 3

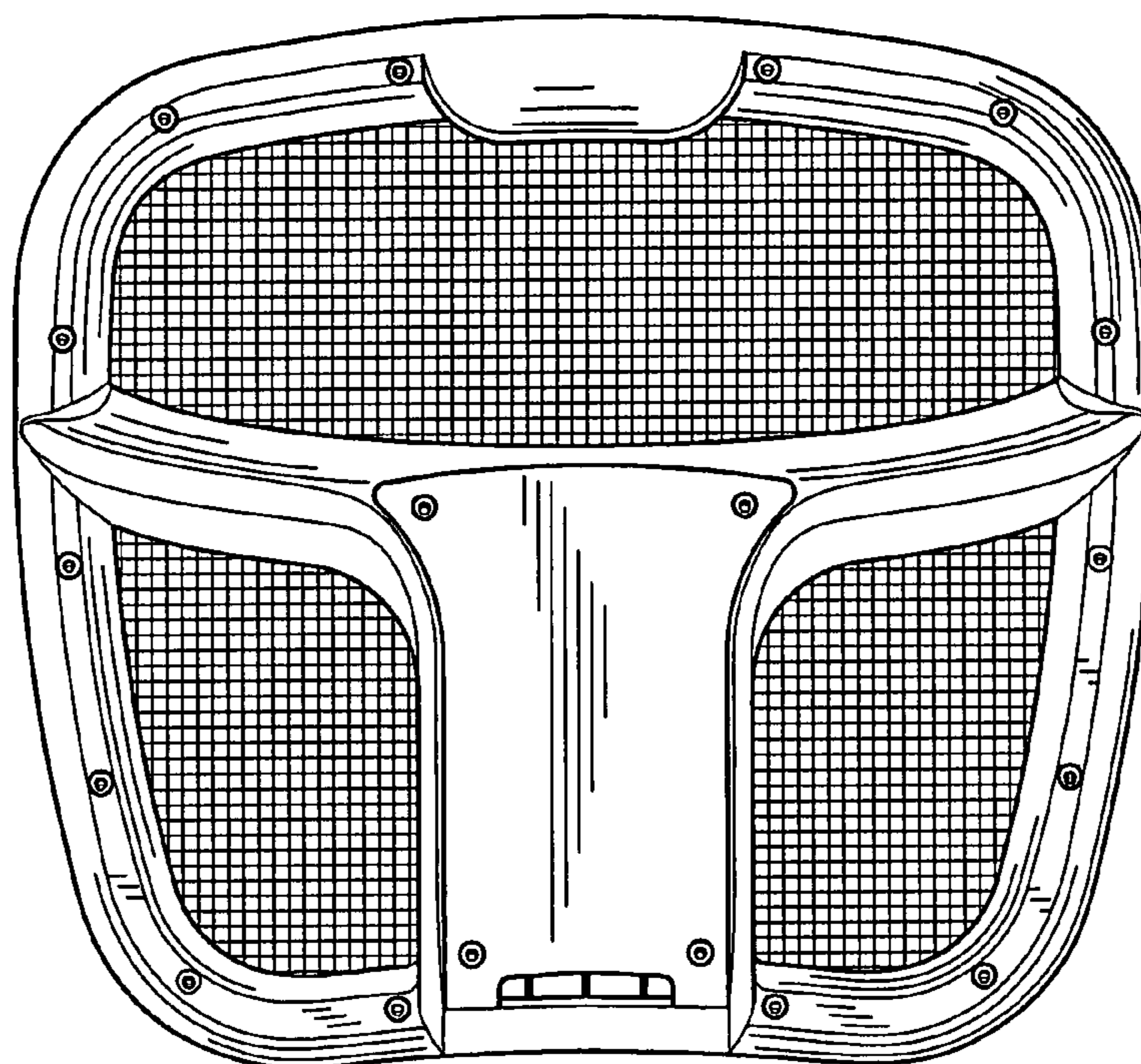


FIG. 4

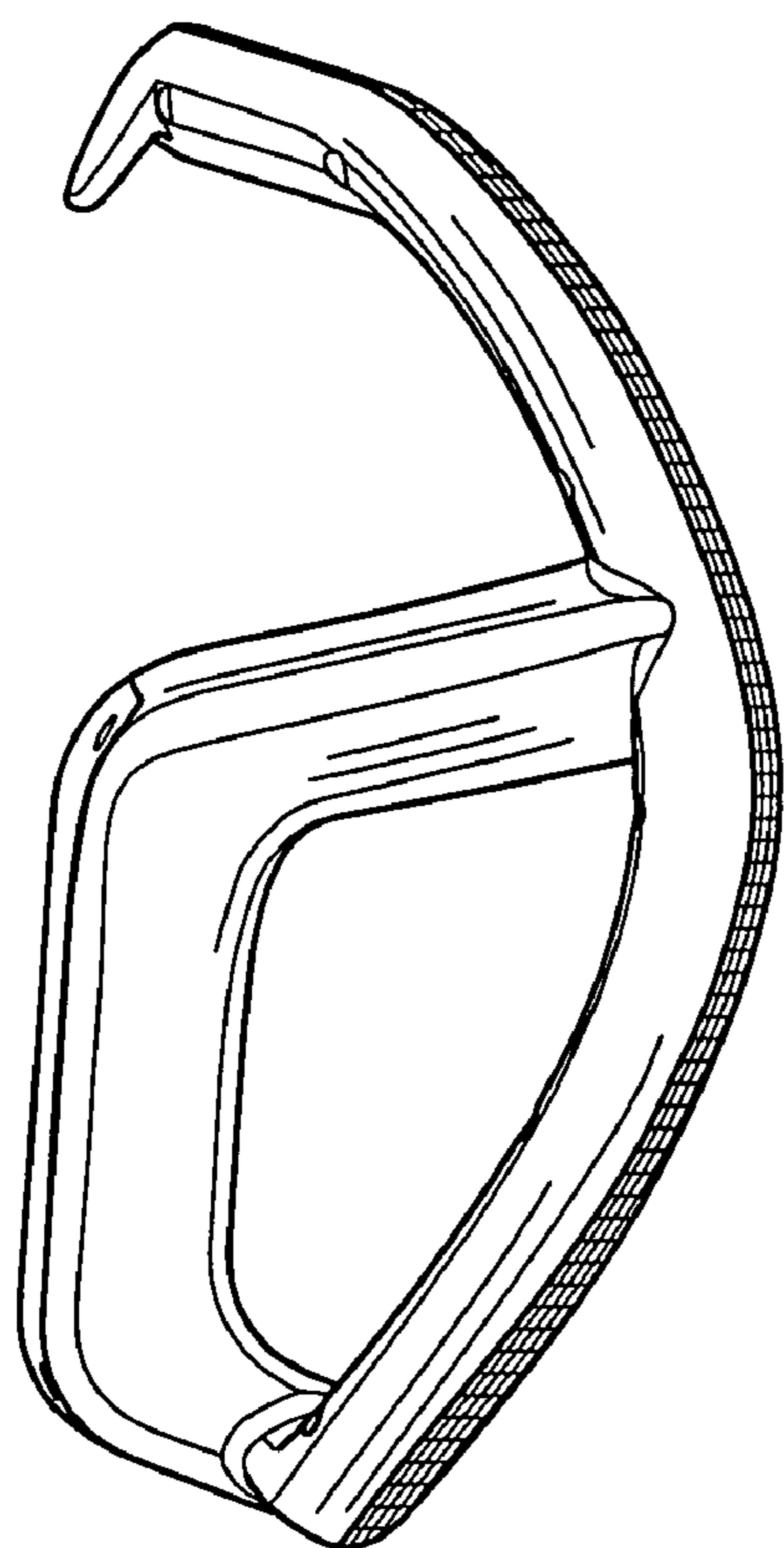


FIG. 5

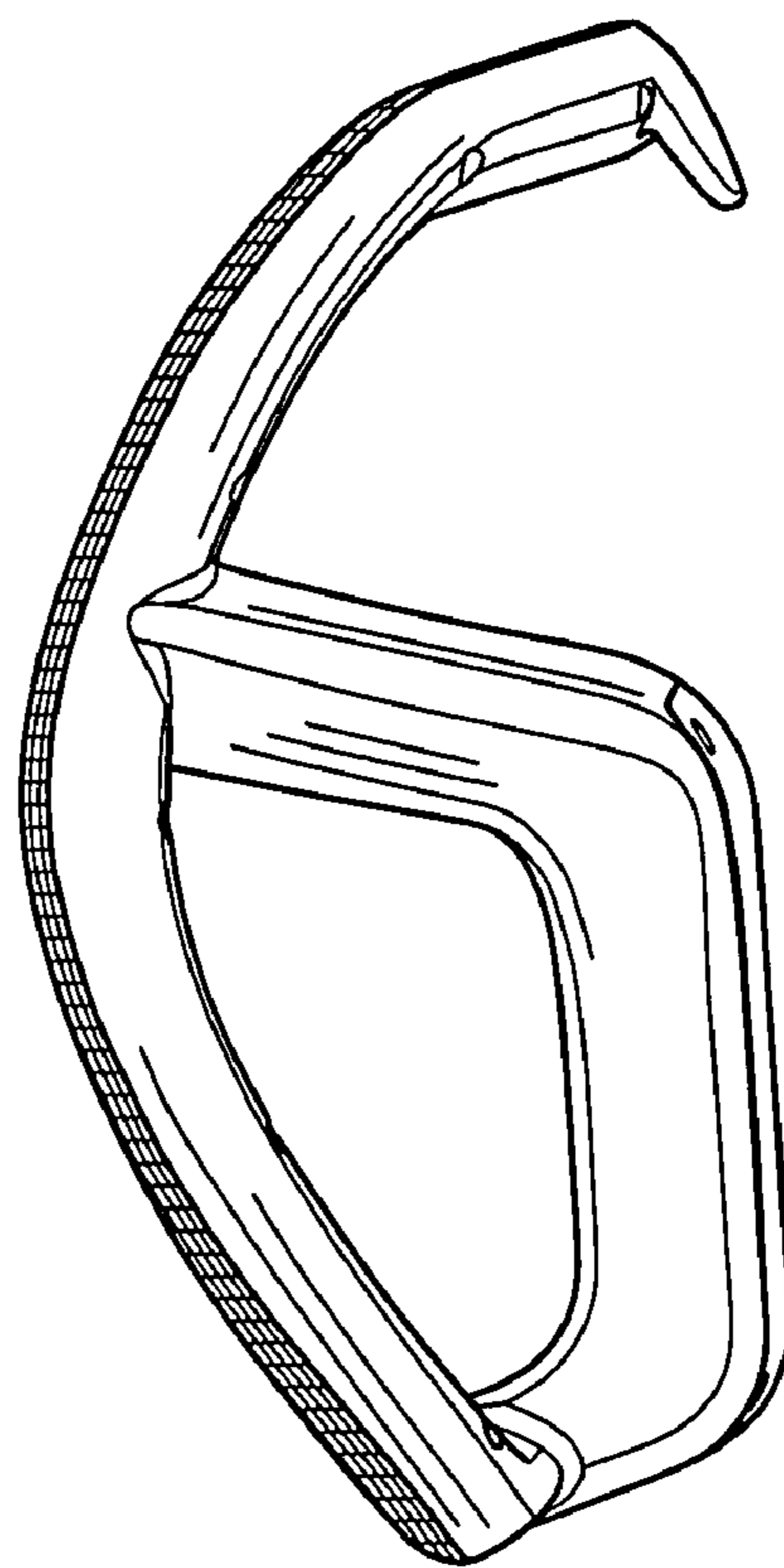


FIG. 6

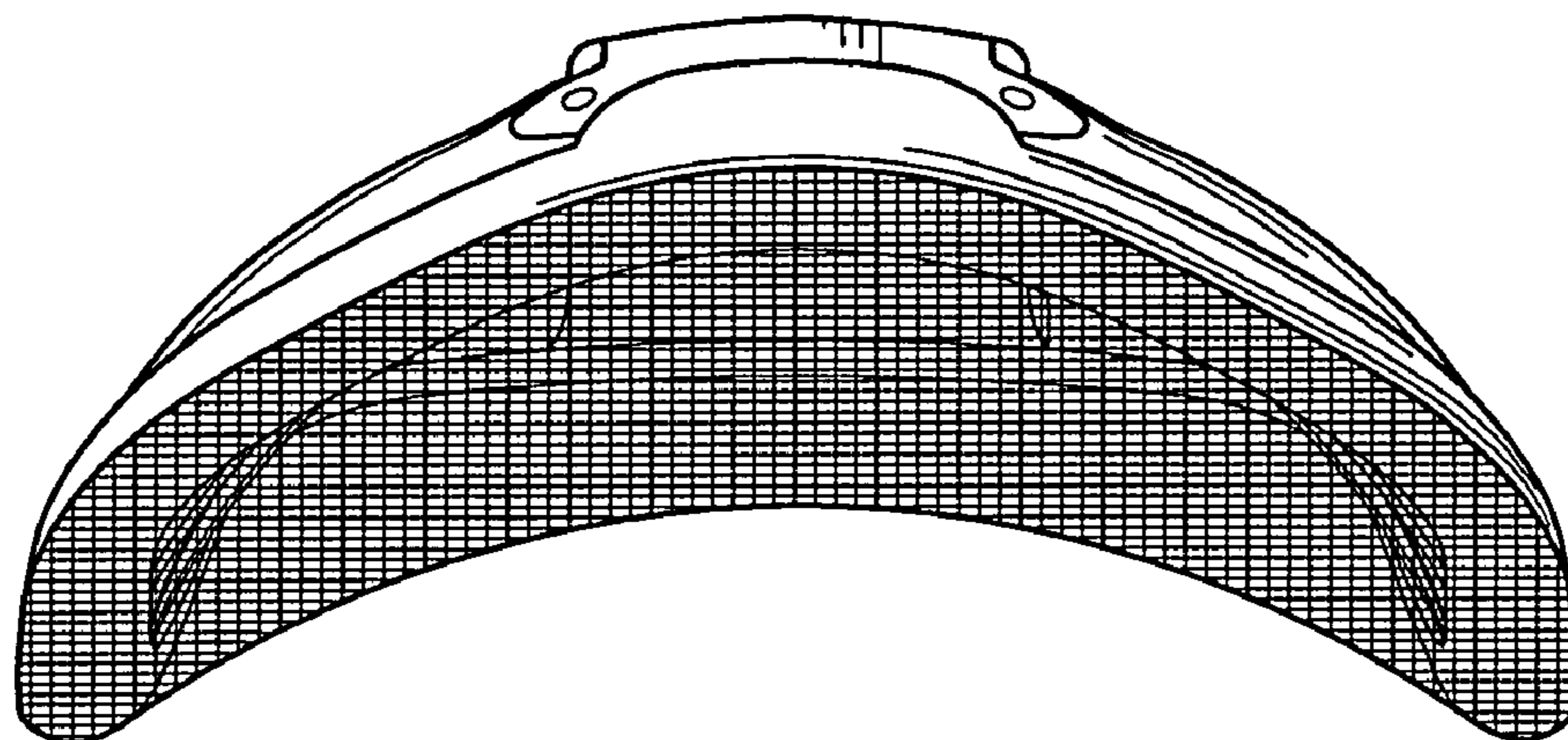


FIG. 7

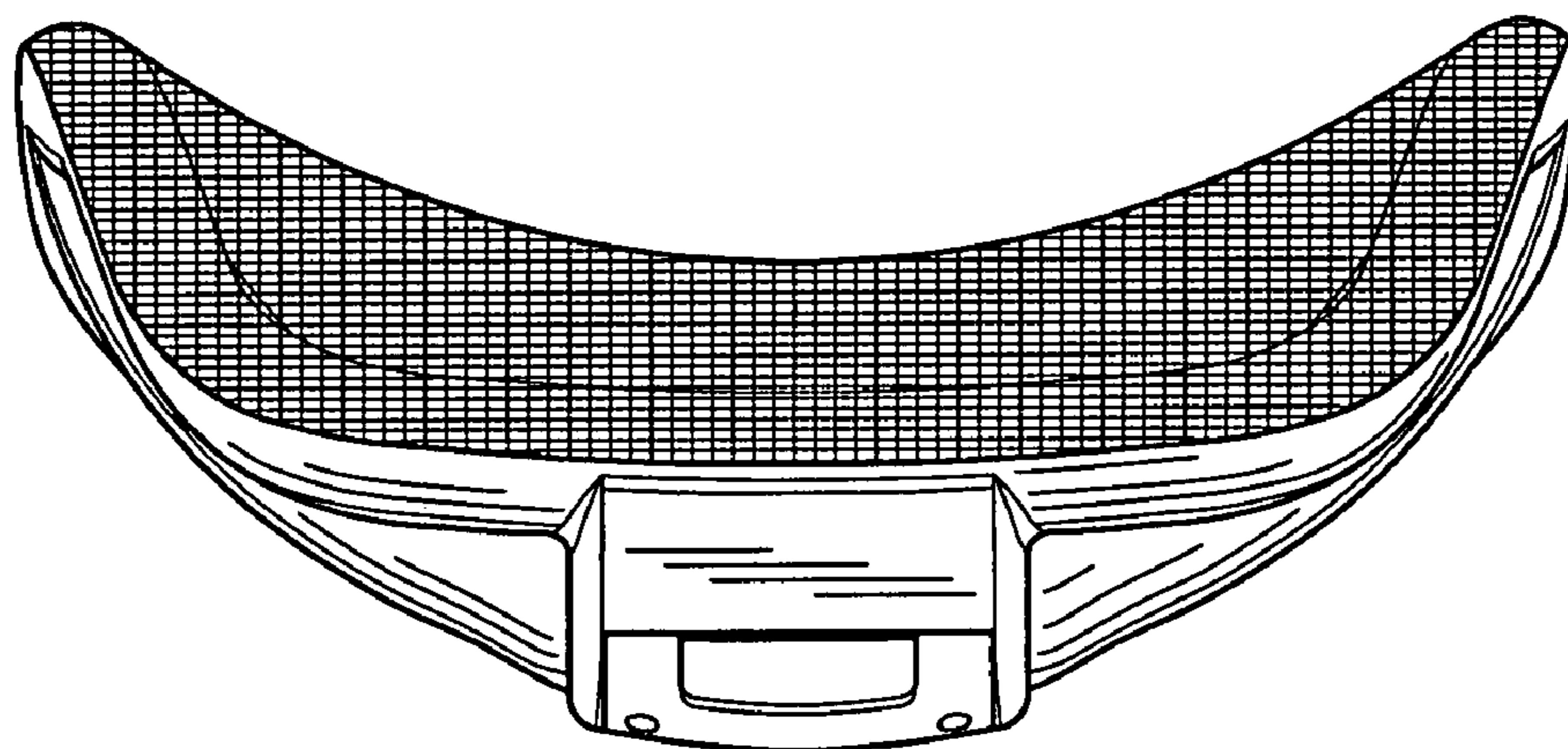


FIG. 8

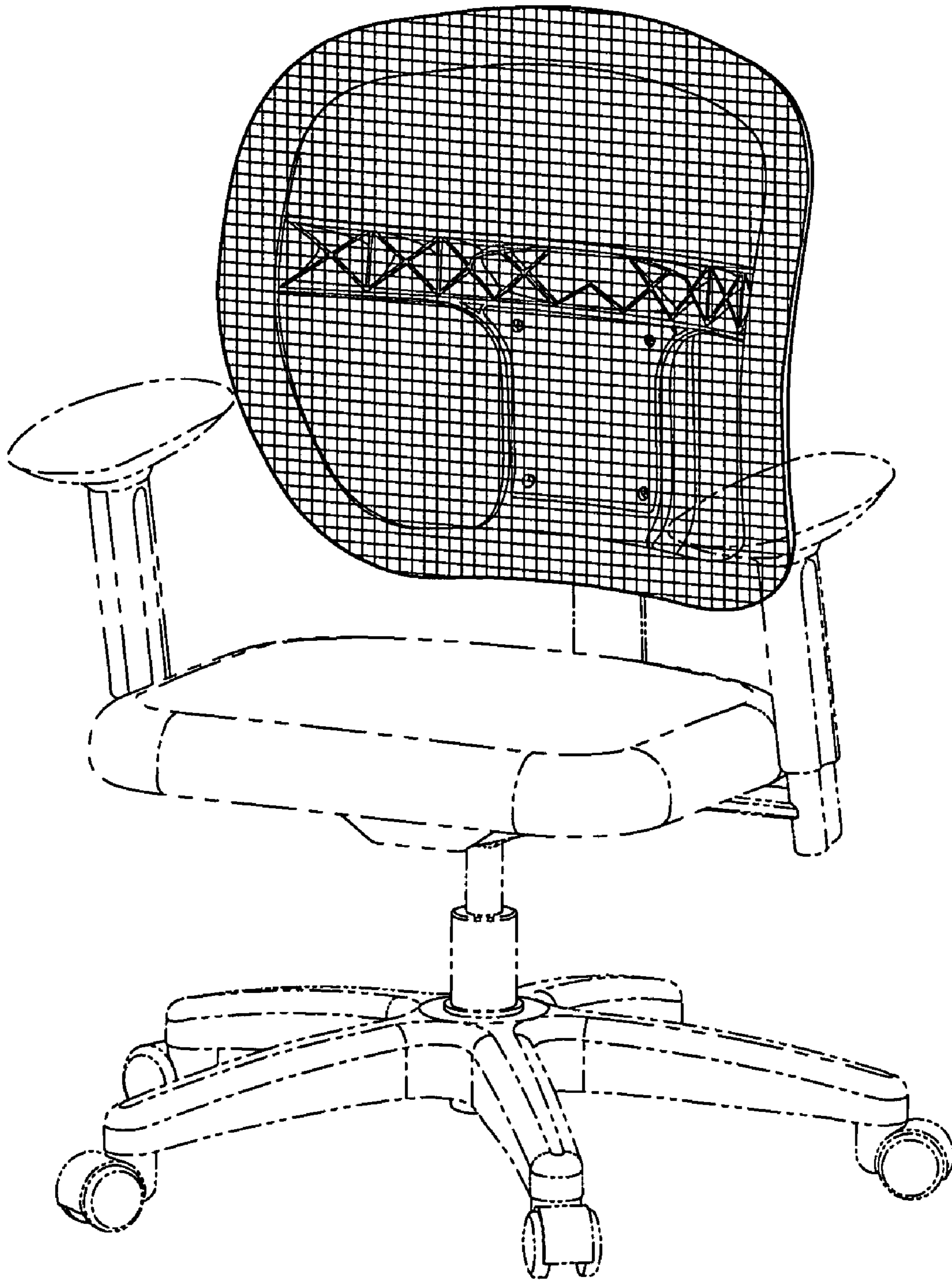


FIG. 9