



US00D573816S

(12) **United States Design Patent**
Muller

(10) **Patent No.:** **US D573,816 S**

(45) **Date of Patent:** **** Jul. 29, 2008**

(54) **CHAIR SEAT**

(76) Inventor: **Carl Muller**, 16451 Barnstable Cir.,
Huntington Beach, CA (US) 92649

(**) Term: **14 Years**

(21) Appl. No.: **29/289,674**

(22) Filed: **Jul. 27, 2007**

(51) **LOC (8) Cl.** **06-01**

(52) **U.S. Cl.** **D6/502**

(58) **Field of Classification Search** D6/334,
D6/335, 341, 353, 360, 364, 367, 369, 371,
D6/376, 377, 379-381, 500-502; 297/445.1,
297/446.1; 5/12.1

See application file for complete search history.

(56) **References Cited**

U.S. PATENT DOCUMENTS

D153,850	S	*	5/1949	Brazauski	D6/374
2,749,974	A	*	6/1956	Finer	297/452.52
2,821,245	A	*	1/1958	Meneghelli	297/411.42
D204,257	S	*	4/1966	Pollock	D6/366
3,281,185	A	*	10/1966	Albinson et al.	297/452.14
D233,281	S	*	10/1974	Johnson	D6/360
D248,698	S	*	8/1978	Lecal	D6/348
D255,185	S	*	6/1980	Locher	D6/375
D326,780	S	*	6/1992	Morgan	D6/334
D329,546	S	*	9/1992	Snodgrass	D6/374
D330,638	S	*	11/1992	Moschini	D6/334
D335,041	S	*	4/1993	Meijer	D6/379
D335,587	S	*	5/1993	Backer	D6/379
D343,529	S	*	1/1994	Sanders, Jr.	D6/379
D390,019	S	*	2/1998	Lee	D6/334

D397,880	S	*	9/1998	Saul	D6/380
D410,802	S	*	6/1999	Olson	D6/379
D430,434	S	*	9/2000	Ooyama	D6/500
D430,983	S	*	9/2000	Hirota	D6/500
D446,037	S	*	8/2001	Koepke et al.	D6/379
D449,459	S	*	10/2001	Diez Mintegi	D6/374
D454,442	S	*	3/2002	Hutton	D6/379
D470,321	S	*	2/2003	Roth	D6/379
D487,983	S	*	4/2004	Muller	D6/360
D543,372	S	*	5/2007	Ping Sheng	D6/375
D551,458	S	*	9/2007	White et al.	D6/369

* cited by examiner

Primary Examiner—Sandra Snapp

(57) **CLAIM**

The ornamental design for chair seat, as shown and described.

DESCRIPTION

FIG. 1 is a front perspective view of the chair seat, the broken lines are for illustrative purposes only and form no part of the claimed design.

FIG. 2 is a front elevational view of the chair seat.

FIG. 3 is a right side elevational view of the chair seat, the left side elevational view being a mirror image thereof.

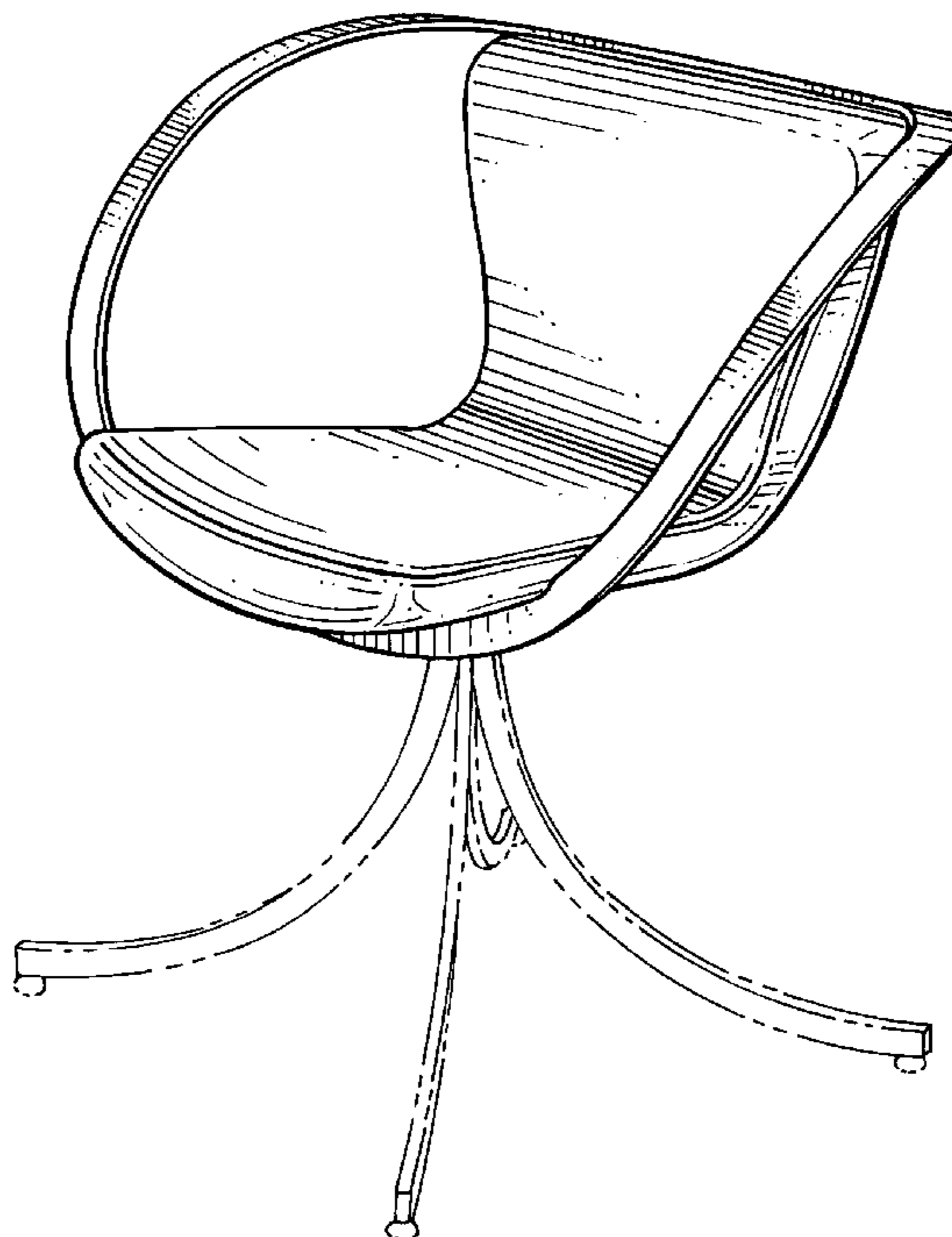
FIG. 4 is a rear elevational view of the chair seat.

FIG. 5 is a top plan view of the chair seat.

FIG. 6 is a bottom plan view of the chair seat; and,

FIG. 7 is a perspective view of an alternative embodiment similar to FIG. 1, the broken lines are for illustrative purposes only and form no part of the claimed design.

1 Claim, 7 Drawing Sheets



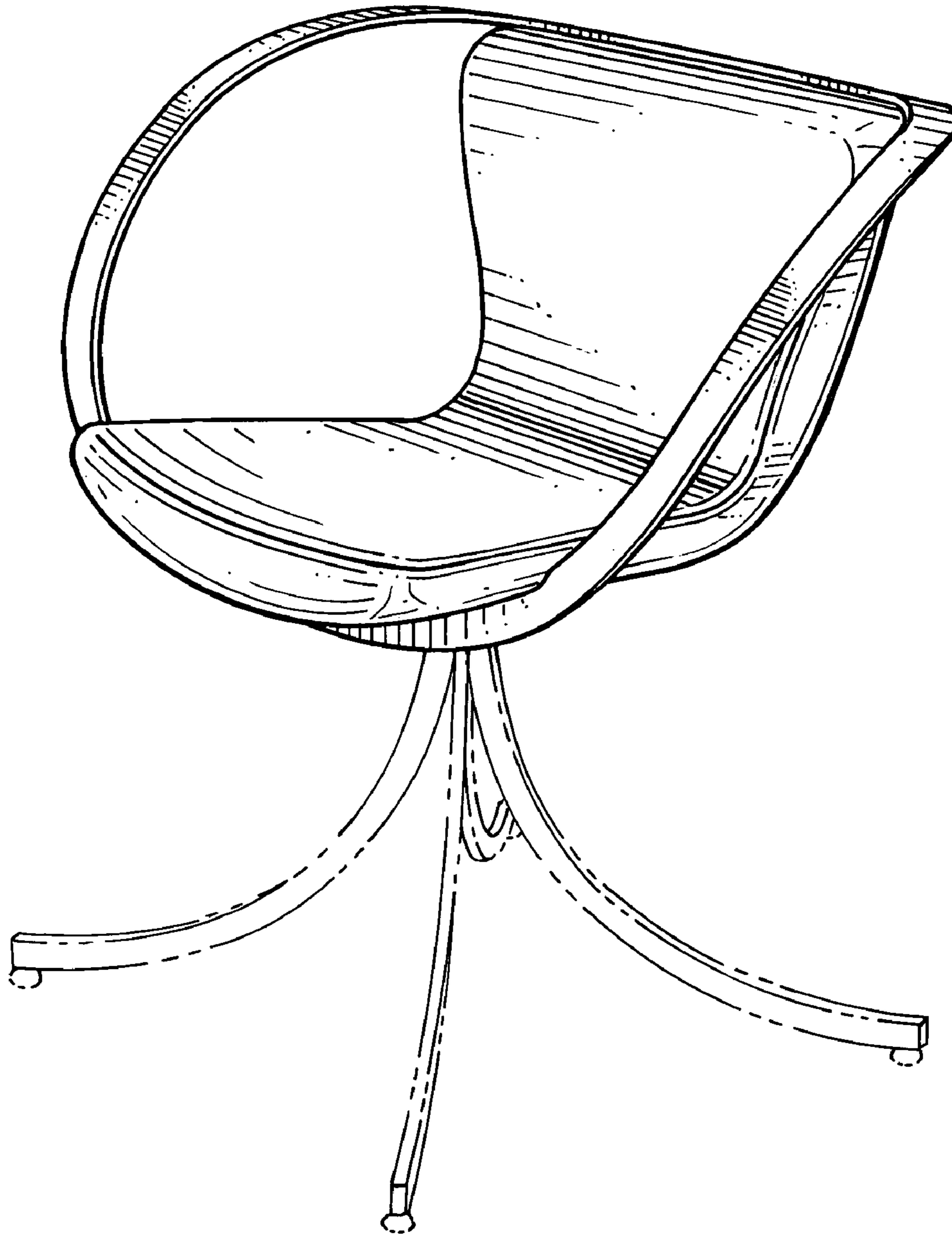


Fig. 1.

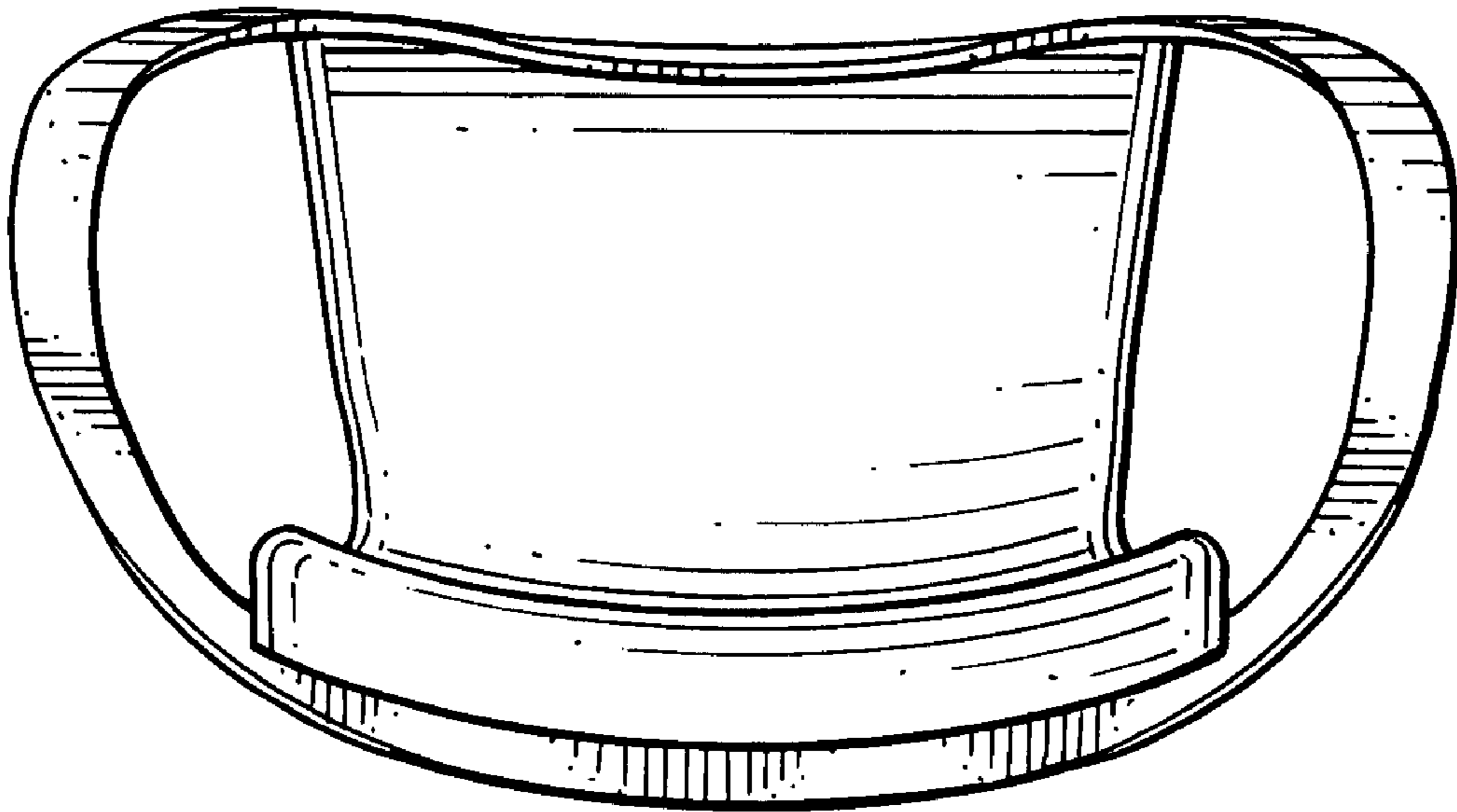


Fig. 2.

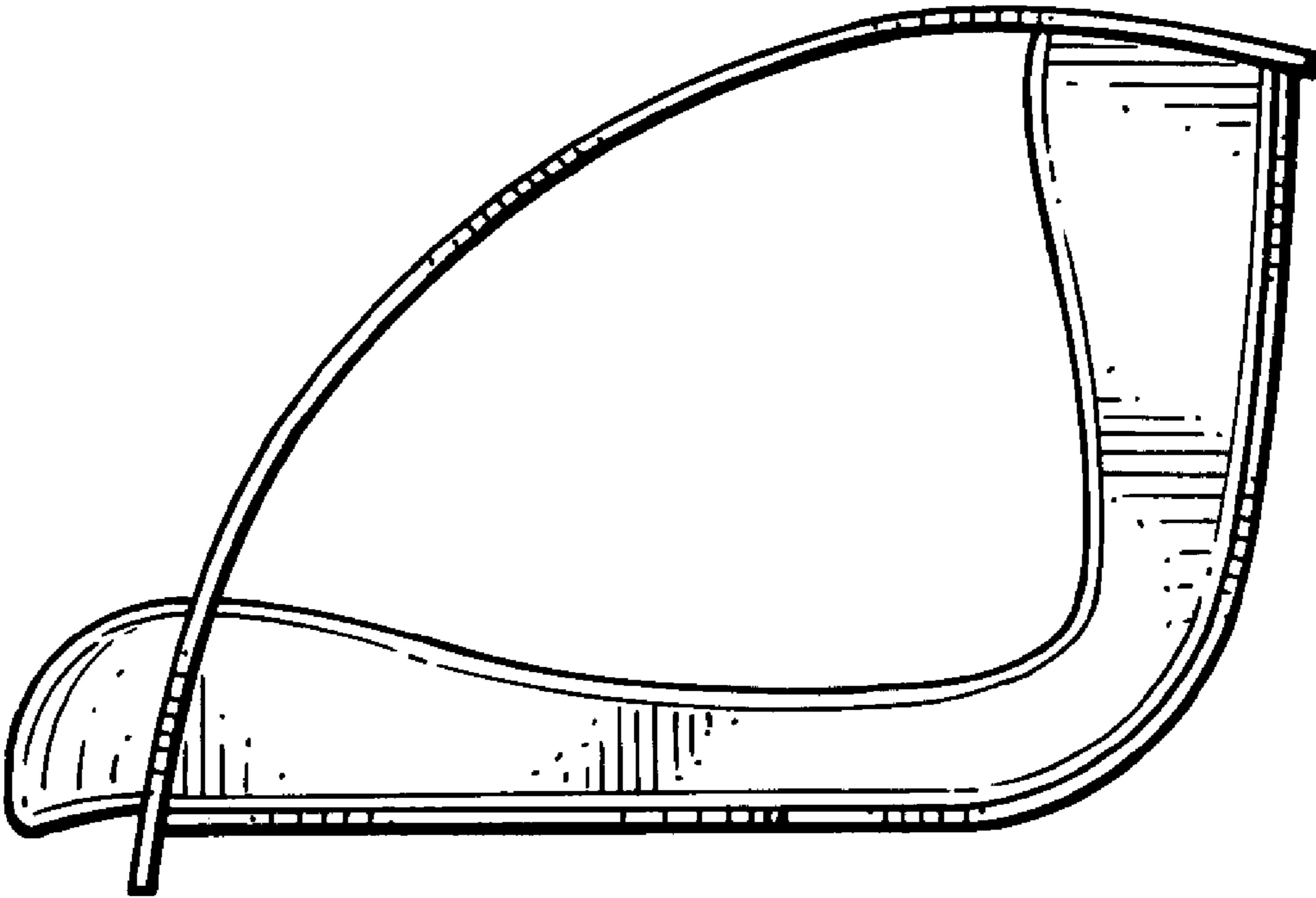


Fig. 3.

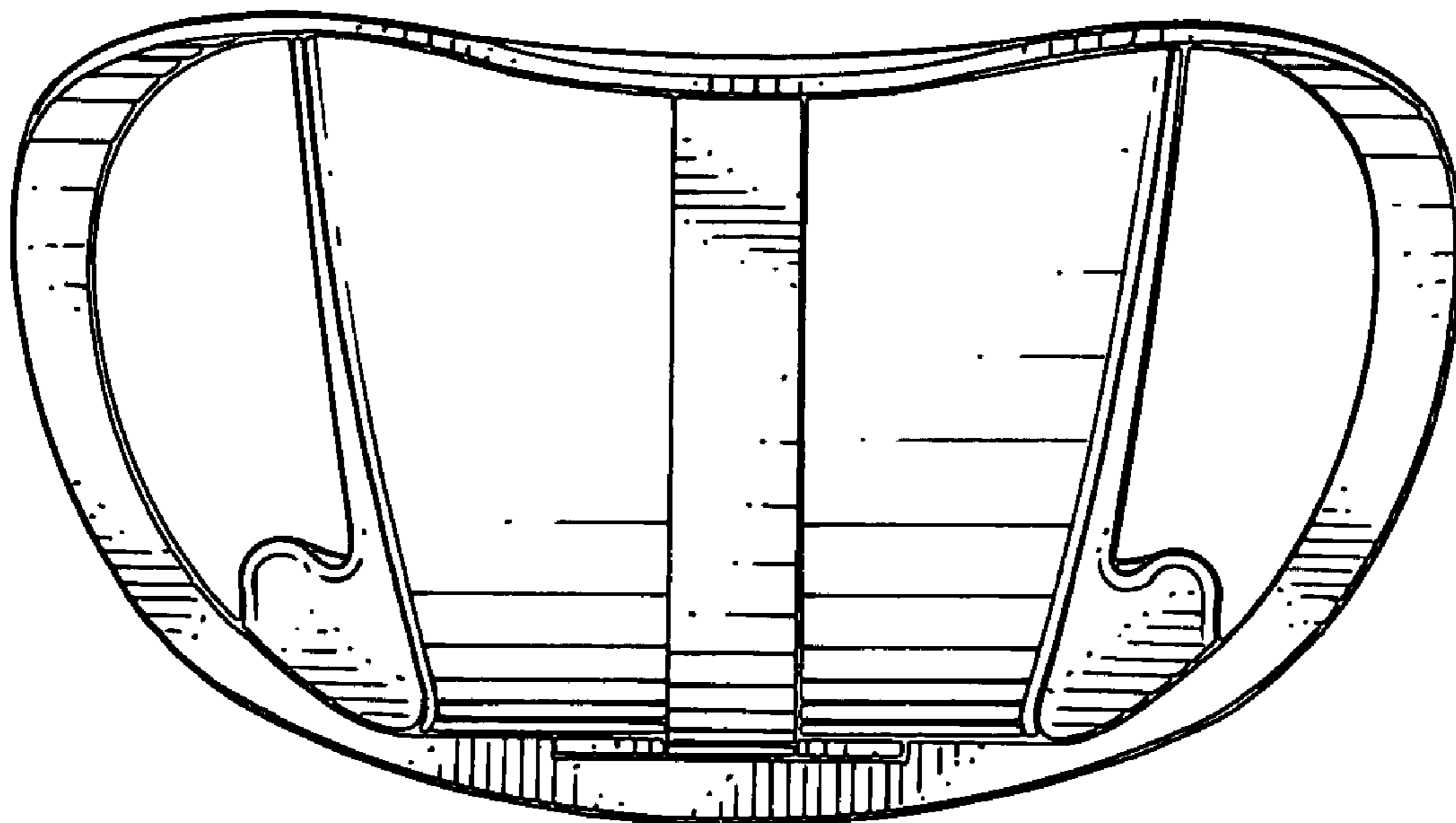


Fig. 4.

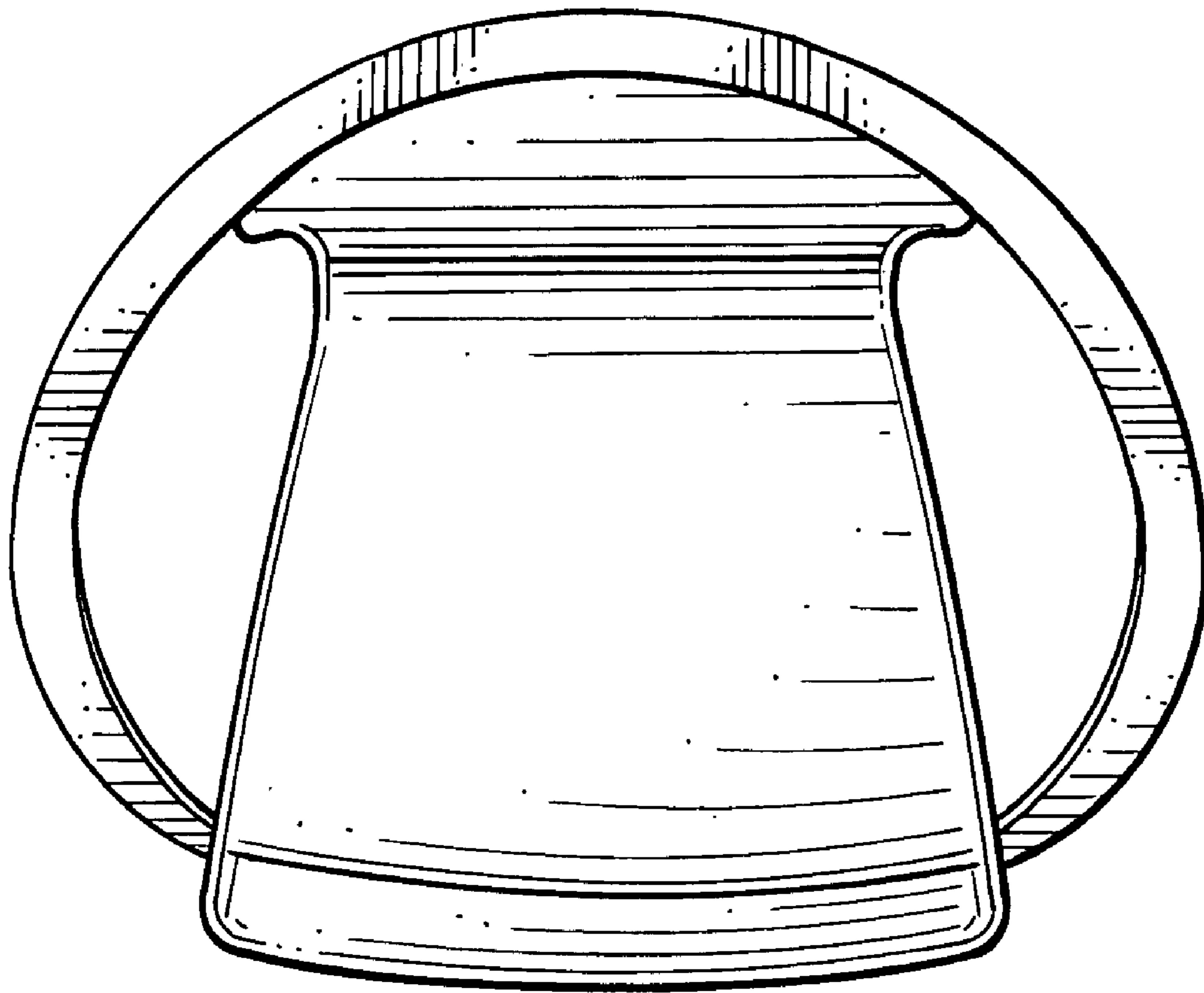


Fig. 5.

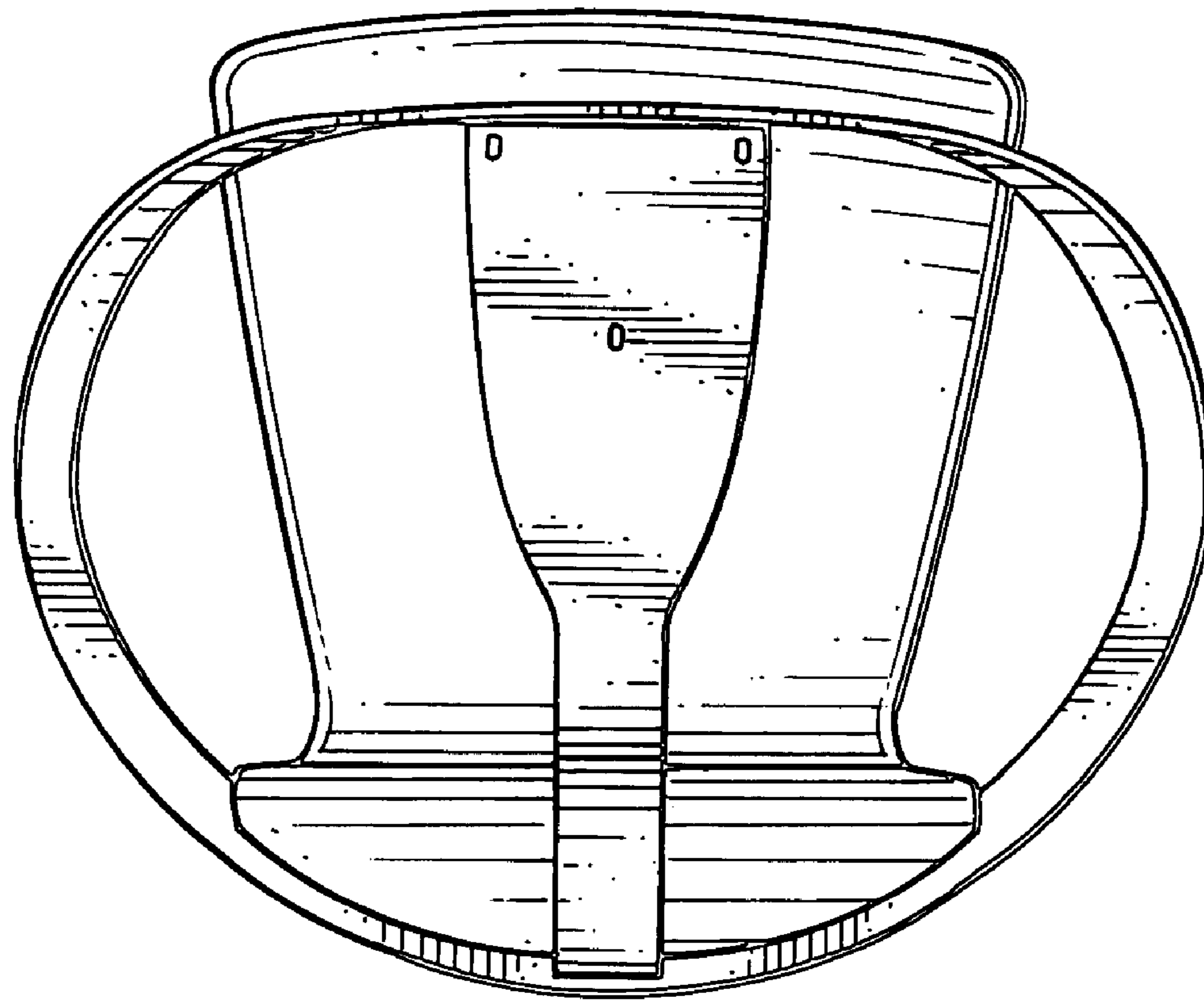


Fig. 6.

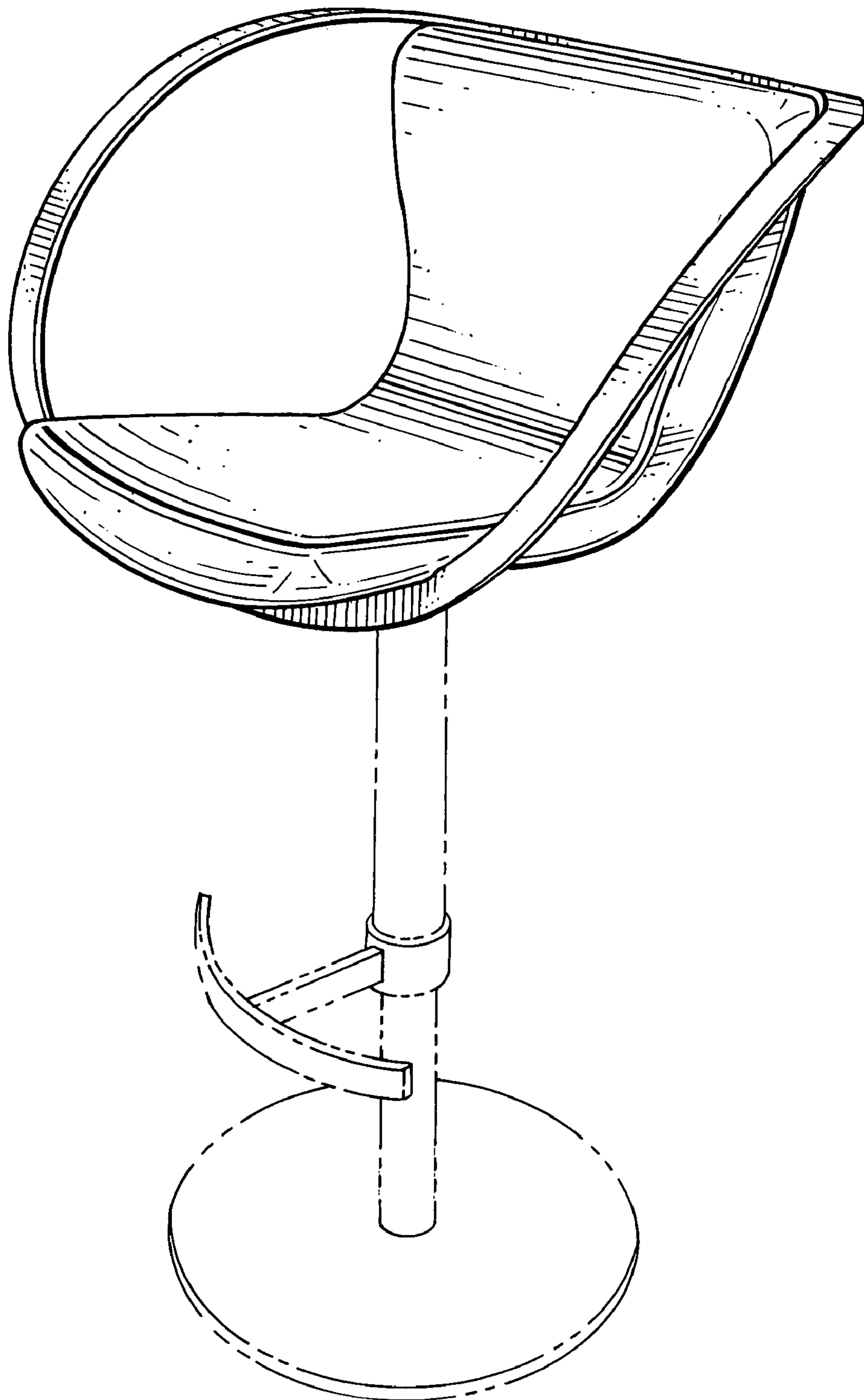


Fig. 7.