



US00D573815S

(12) **United States Design Patent**
Matern

(10) **Patent No.:** **US D573,815 S**
(45) **Date of Patent:** **** Jul. 29, 2008**

(54) **CHAIR CONTROL**

(75) Inventor: **Gerard J. Matern**, Waterloo (CA)

(73) Assignee: **Leggett & Platt Canada Co.**, Waterloo, Ontario (CA)

(**) Term: **14 Years**

(21) Appl. No.: **29/275,251**

(22) Filed: **Dec. 19, 2006**

(51) **LOC (8) Cl.** **06-06**

(52) **U.S. Cl.** **D6/500**

(58) **Field of Classification Search** D6/500,
D6/334-336, 364-367, 379, 491, 495, 501-502;
248/161, 578; 297/344.18, 344.21, 344.22,
297/463.1, 300.1, 300.2, 300.5, 300.8, 301.1-301.4,
297/301.7

See application file for complete search history.

(56) **References Cited**

U.S. PATENT DOCUMENTS

D247,943 S	5/1978	Doerner	
D285,633 S	9/1986	Doerner	
D432,338 S	10/2000	Matern	
D450,956 S *	11/2001	Asbjørnsen	D6/500
D450,957 S *	11/2001	Asbjørnsen	D6/500
D461,074 S	8/2002	Matern	
D464,831 S	10/2002	Patton	
D468,940 S	1/2003	Chen	
D472,081 S	3/2003	Chen	
D473,737 S *	4/2003	Klaesener et al.	D6/500
6,619,740 B2	9/2003	Beggs	

6,692,077 B1	2/2004	Beggs et al.	
D488,336 S *	4/2004	Kerr	D6/511
6,957,862 B2 *	10/2005	Chen	297/300.1
D549,016 S *	8/2007	Donati et al.	D6/500
D550,990 S *	9/2007	Donati	D6/500
D550,991 S *	9/2007	Donati	D6/500
D557,946 S *	12/2007	Matern et al.	D6/500
2002/0163242 A1	11/2002	Beggs	
2003/0178876 A1	9/2003	Klein	
2003/0184144 A1	10/2003	Matern et al.	
2006/0138833 A1 *	6/2006	Brodrecht et al.	297/300.2
2007/0228801 A1 *	10/2007	Matern	297/463.1

* cited by examiner

Primary Examiner—Robert M. Spear

Assistant Examiner—Katrina A Kile

(74) *Attorney, Agent, or Firm*—Shook, Hardy & Bacon, L.L.P.

(57) **CLAIM**

The ornamental design for a chair control, as shown and described.

DESCRIPTION

FIG. 1 is a bottom perspective view of the chair control;

FIG. 2 is a right hand side view of the chair control;

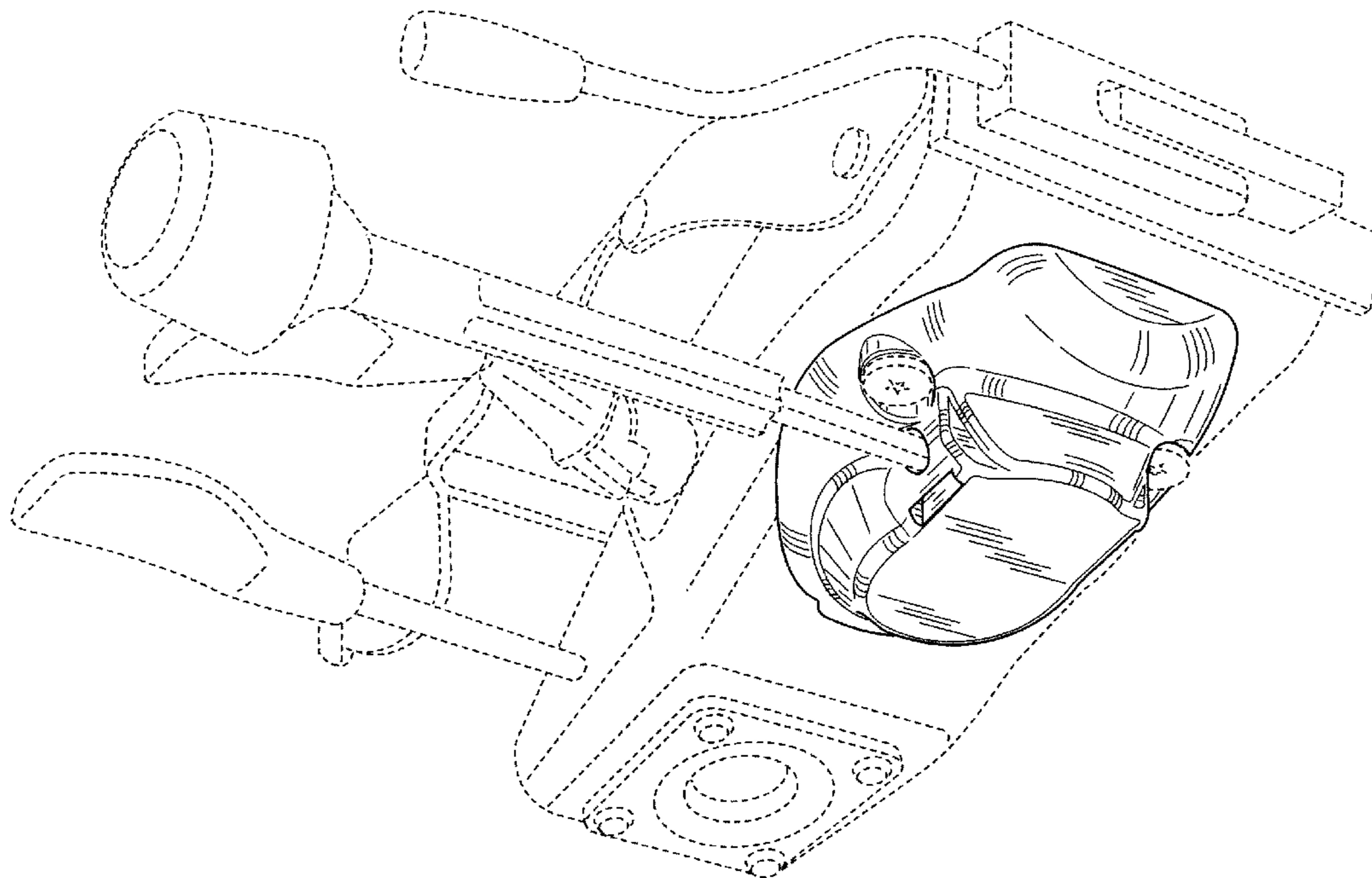
FIG. 3 is a front view of the chair control;

FIG. 4 is a left hand side view of the chair control; and,

FIG. 5 is a bottom view of the chair control.

The portions of the chair control shown in dashed lines do not form part of the claimed design.

1 Claim, 5 Drawing Sheets



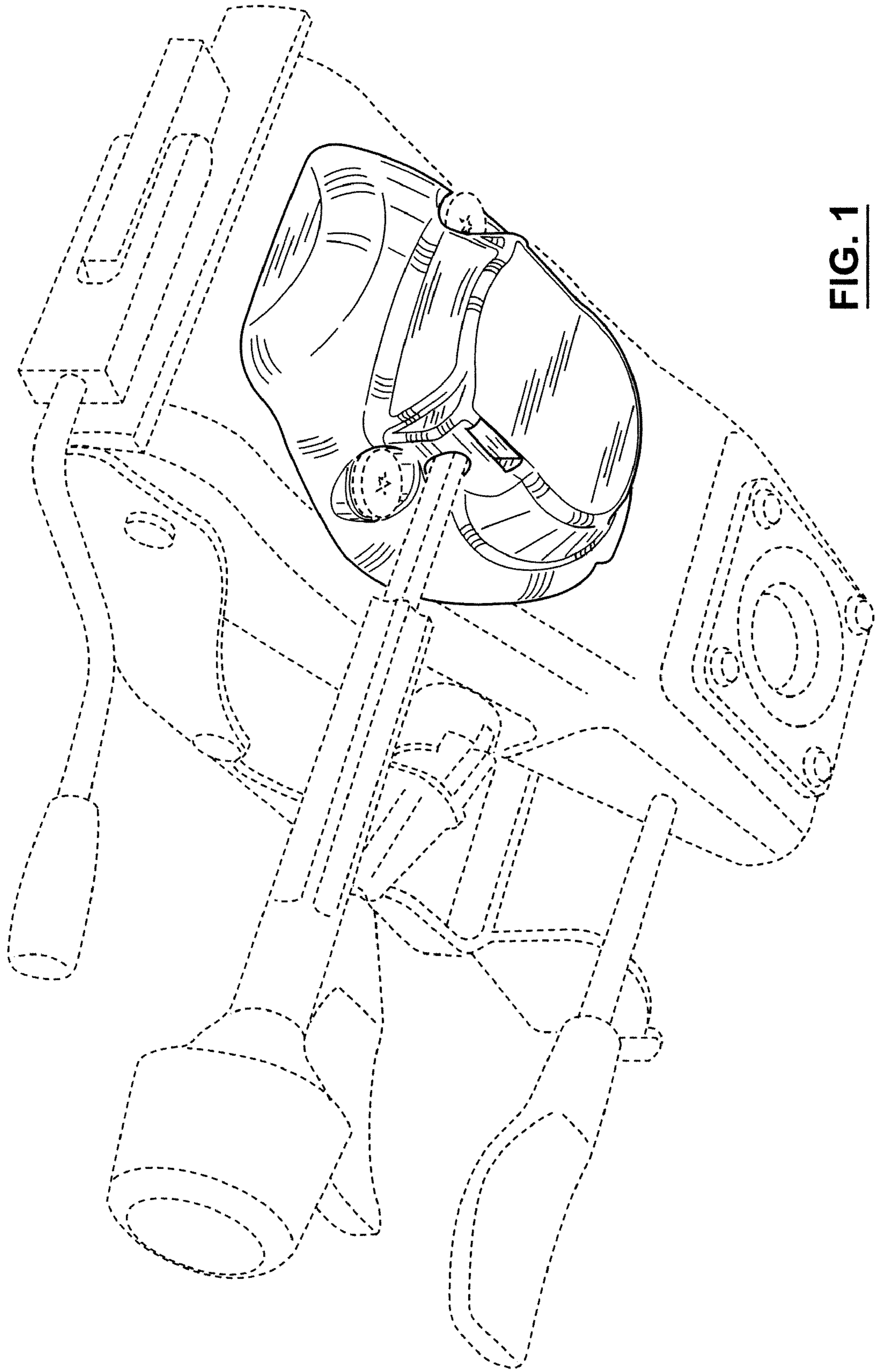


FIG. 1

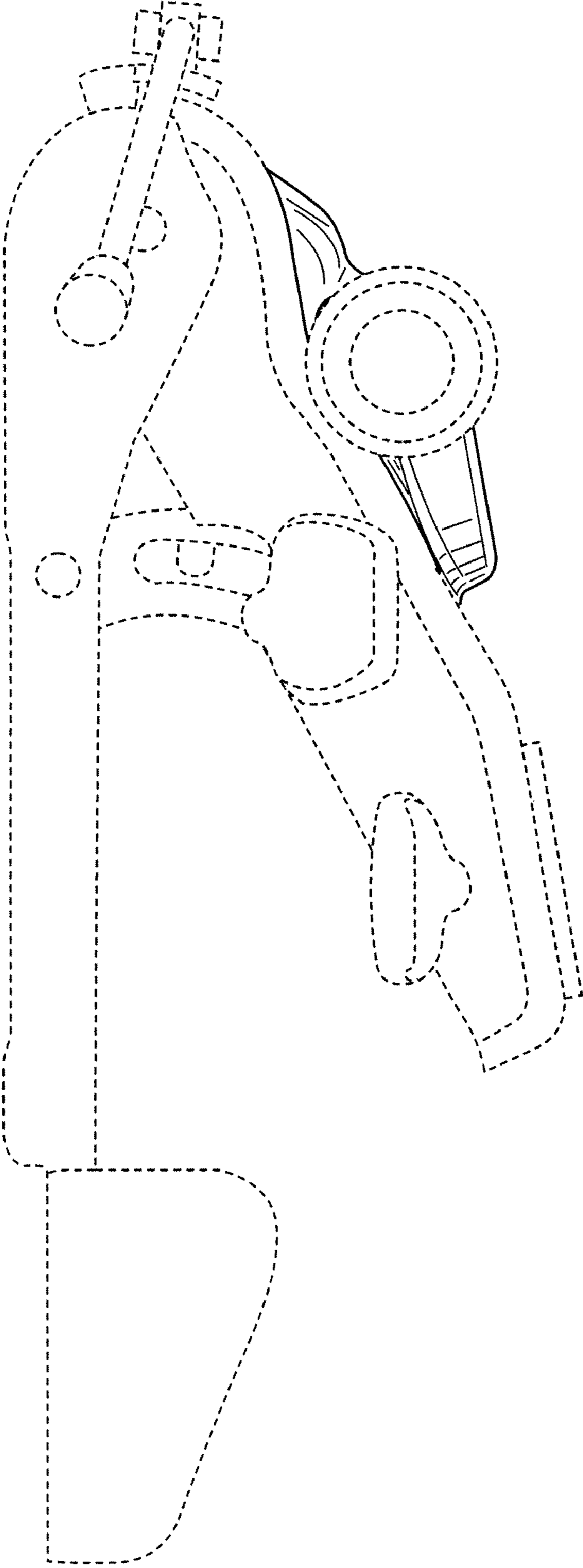


FIG. 2

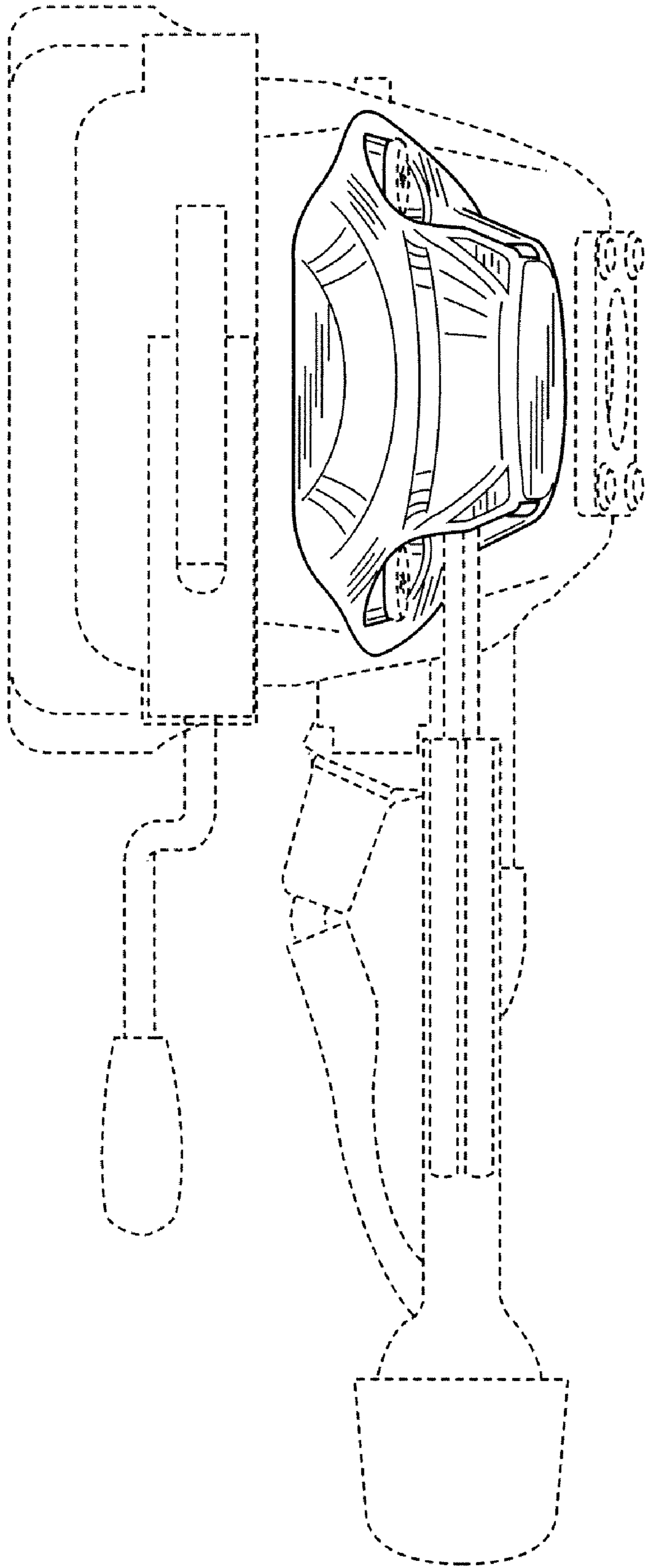


FIG. 3

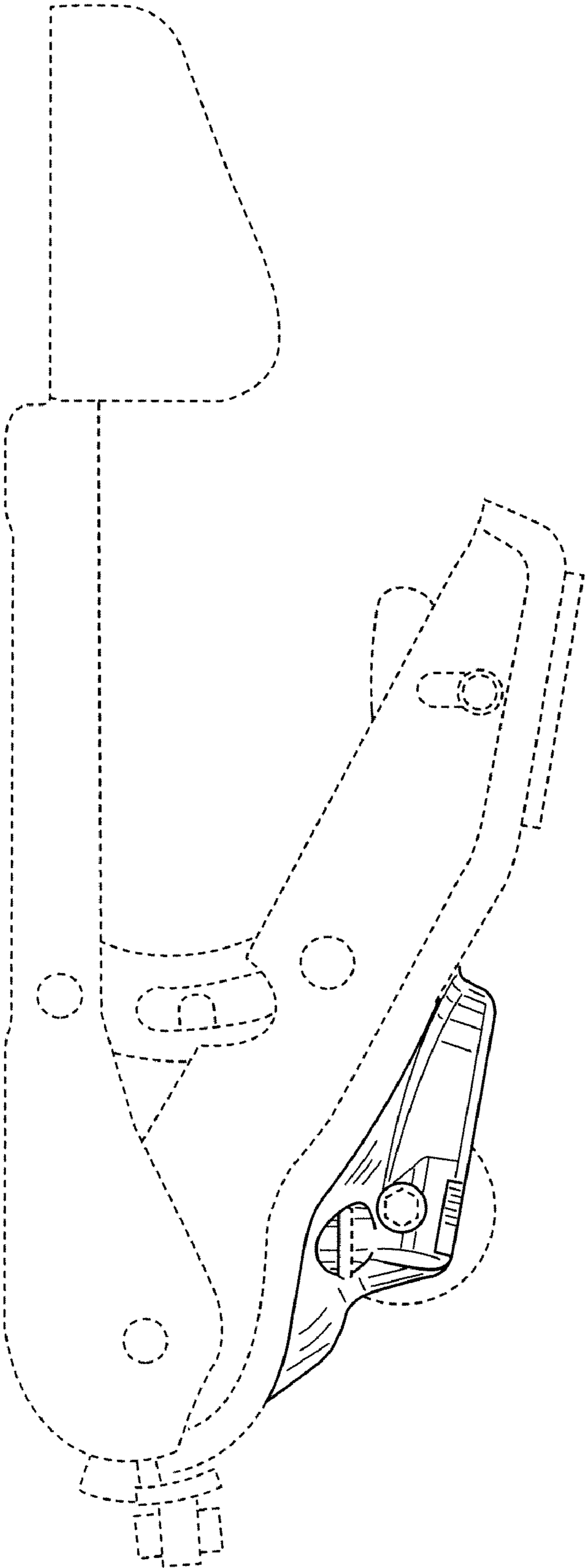


FIG. 4

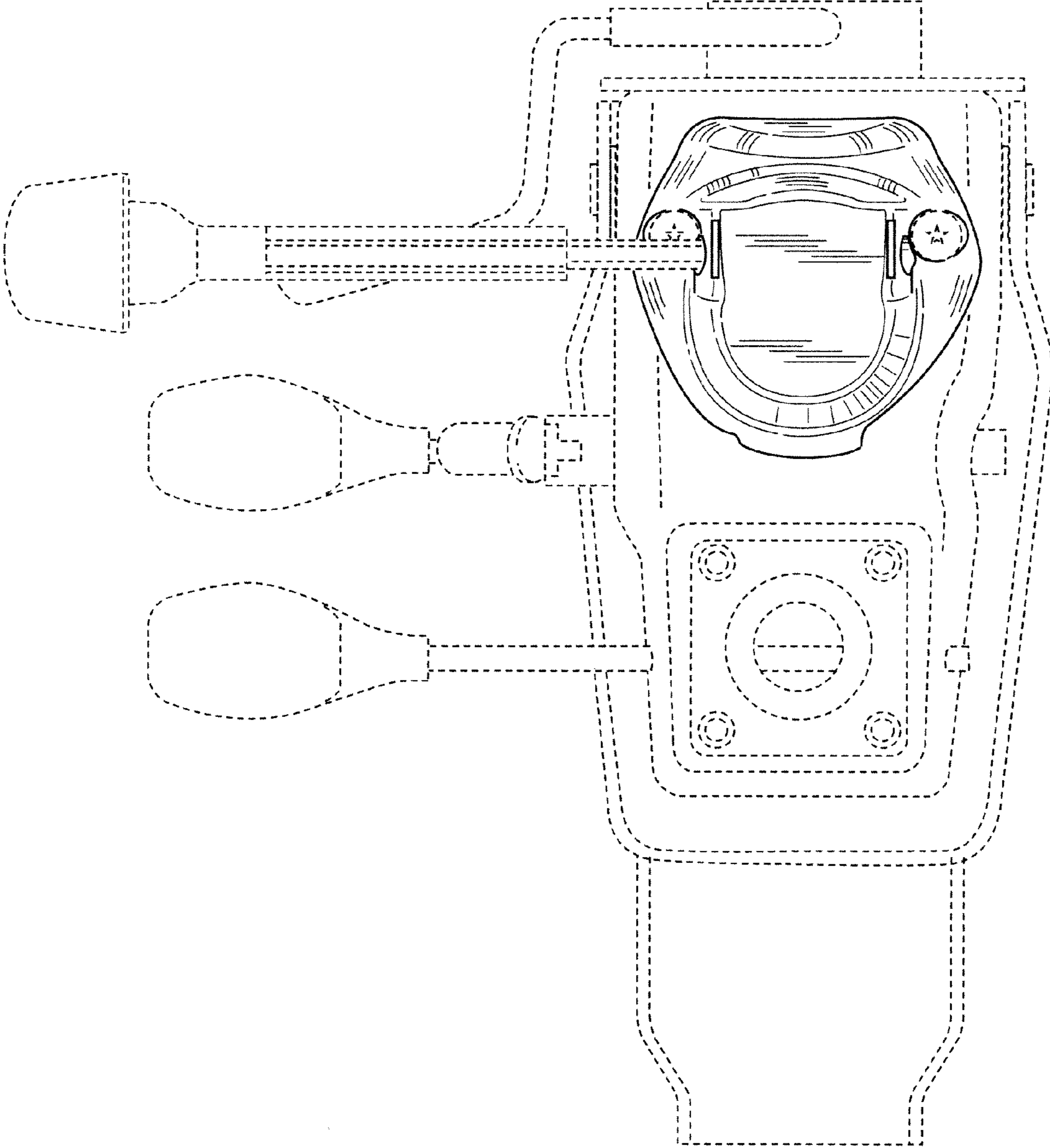


FIG. 5