



US00D573813S

(12) **United States Design Patent**
Kreiss

(10) **Patent No.:** **US D573,813 S**
(45) **Date of Patent:** **** Jul. 29, 2008**

(54) **TABLE**
(75) Inventor: **Michael Kreiss**, San Diego, CA (US)
(73) Assignee: **Kreiss Enterprises, Inc.**, San Diego, CA (US)
(**) Term: **14 Years**
(21) Appl. No.: **29/298,131**
(22) Filed: **Nov. 29, 2007**

(51) **LOC (8) Cl.** **06-03**
(52) **U.S. Cl.** **D6/480**
(58) **Field of Classification Search** D6/480-489,
D6/495-499, 429-431, 451, 452; 108/150,
108/50.01, 50.02, 152, 153.1, 155, 156, 157.1;
248/188, 188.1, 188.7, 188.8, 188.9
See application file for complete search history.

(56) **References Cited**

U.S. PATENT DOCUMENTS

D134,388 S * 11/1942 Waltman D6/461
D432,335 S * 10/2000 Wistehuff, Sr. D6/495

D451,711 S * 12/2001 O'Hare et al. D6/495
7,337,728 B2 * 3/2008 Shabram et al. 108/35

* cited by examiner

Primary Examiner—Janice E Seeger
(74) *Attorney, Agent, or Firm*—Kleinberg & Lerner, LLP;
Marvin H. Kleinberg

(57) **CLAIM**

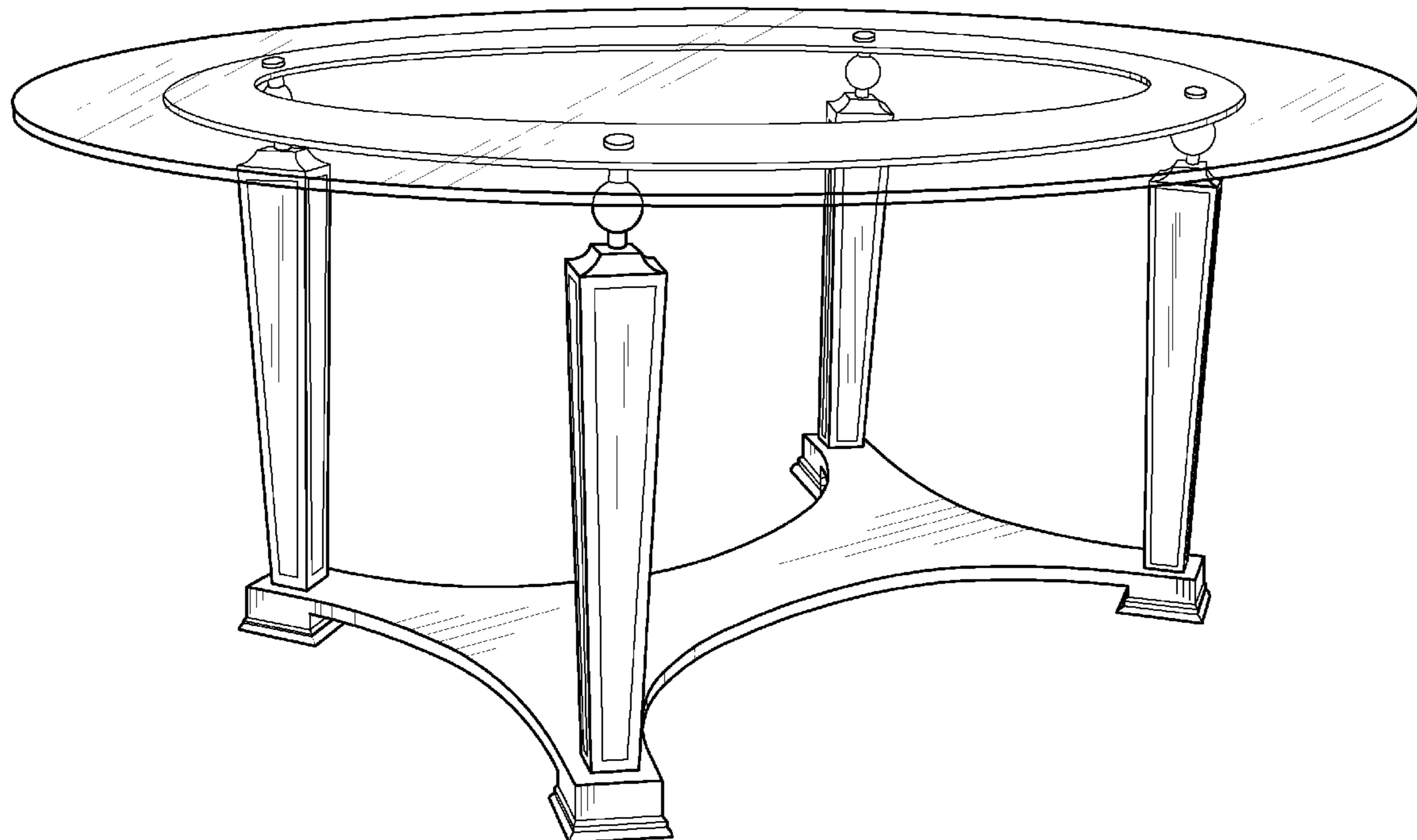
The ornamental design for a table, as shown and described.

DESCRIPTION

FIG. 1 is a perspective view of the table of the present invention;
FIG. 2 is a front view of the table of FIG. 1;
FIG. 3 is a side view of the table of FIG. 1;
FIG. 4 is a top view of the table of FIG. 1; and,
FIG. 5 is a bottom view of the table of FIG. 1.

The table of the present invention is symmetrical about a longitudinal axis and the rear and side views are identical.

1 Claim, 5 Drawing Sheets



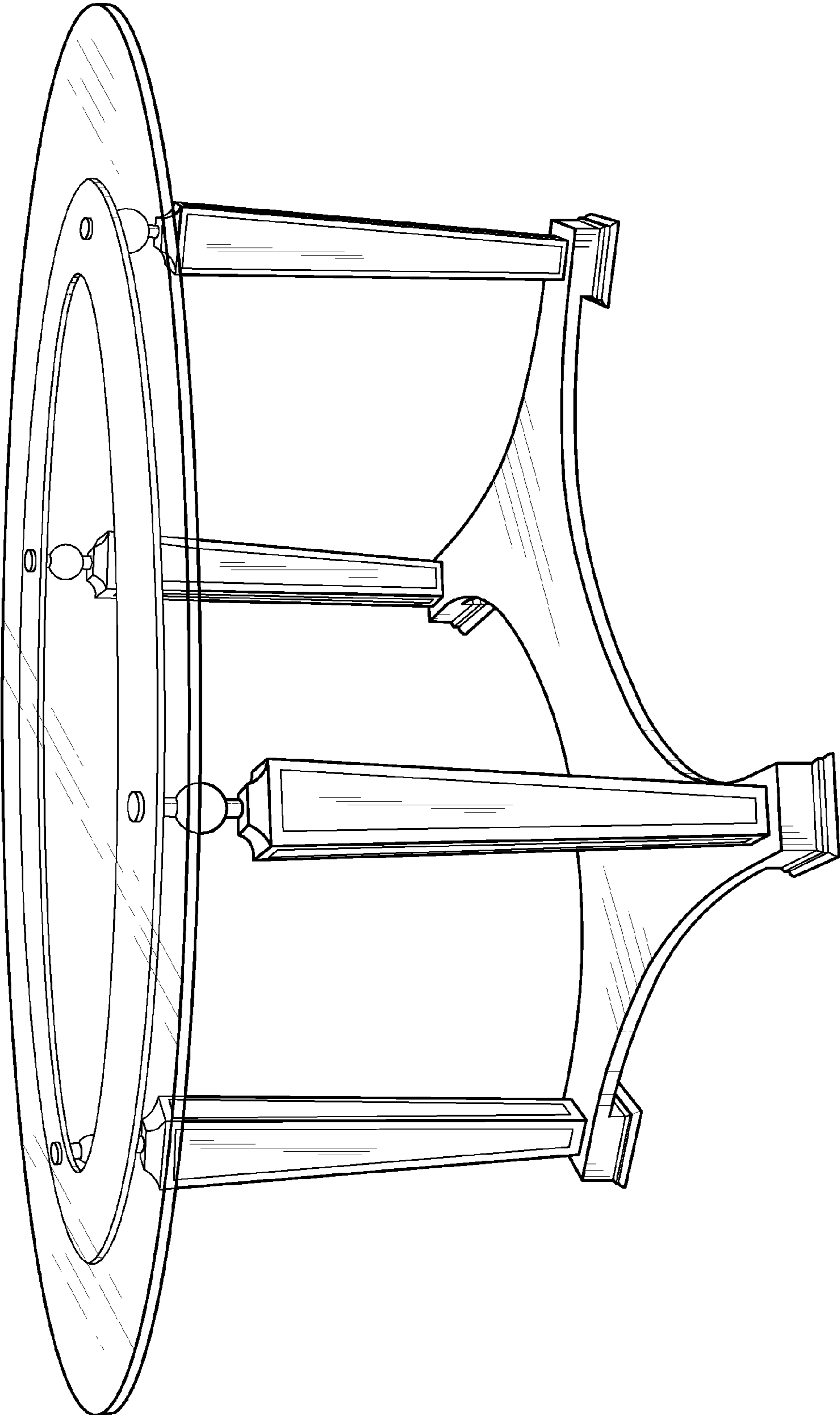


FIG. 1

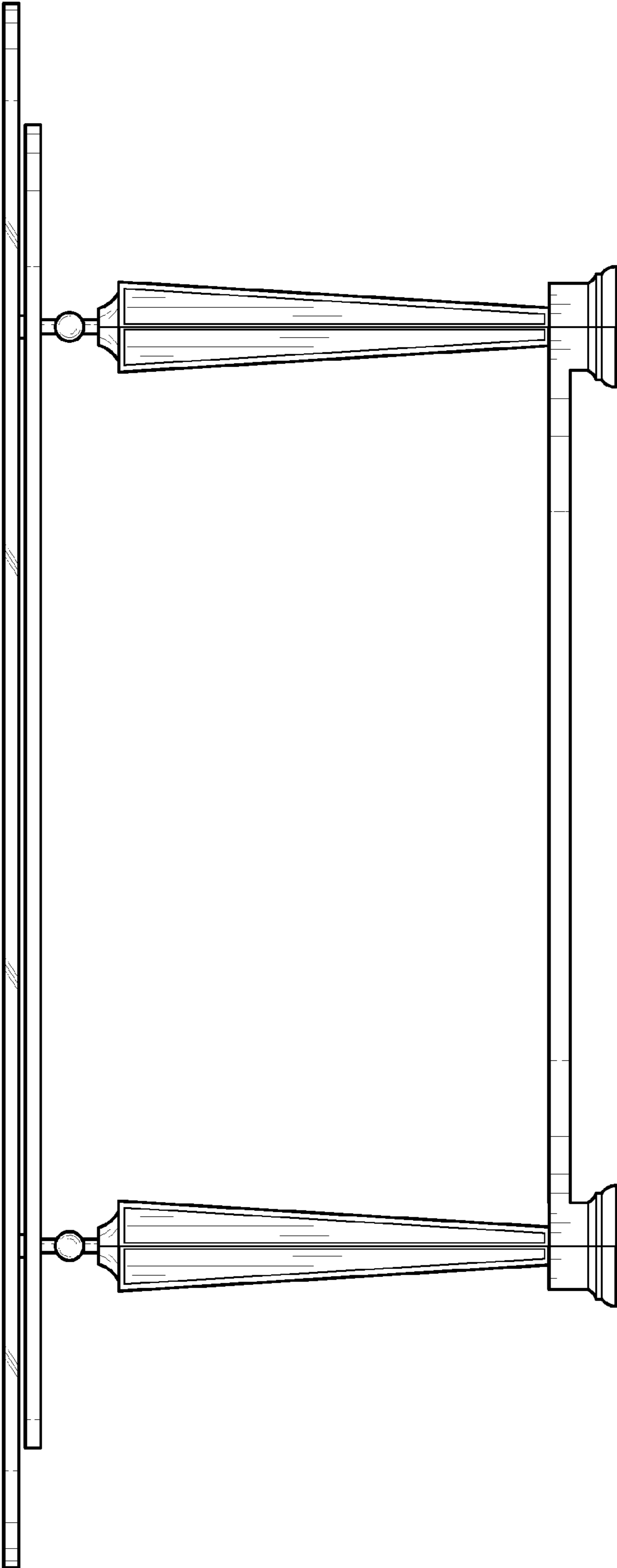


FIG. 2

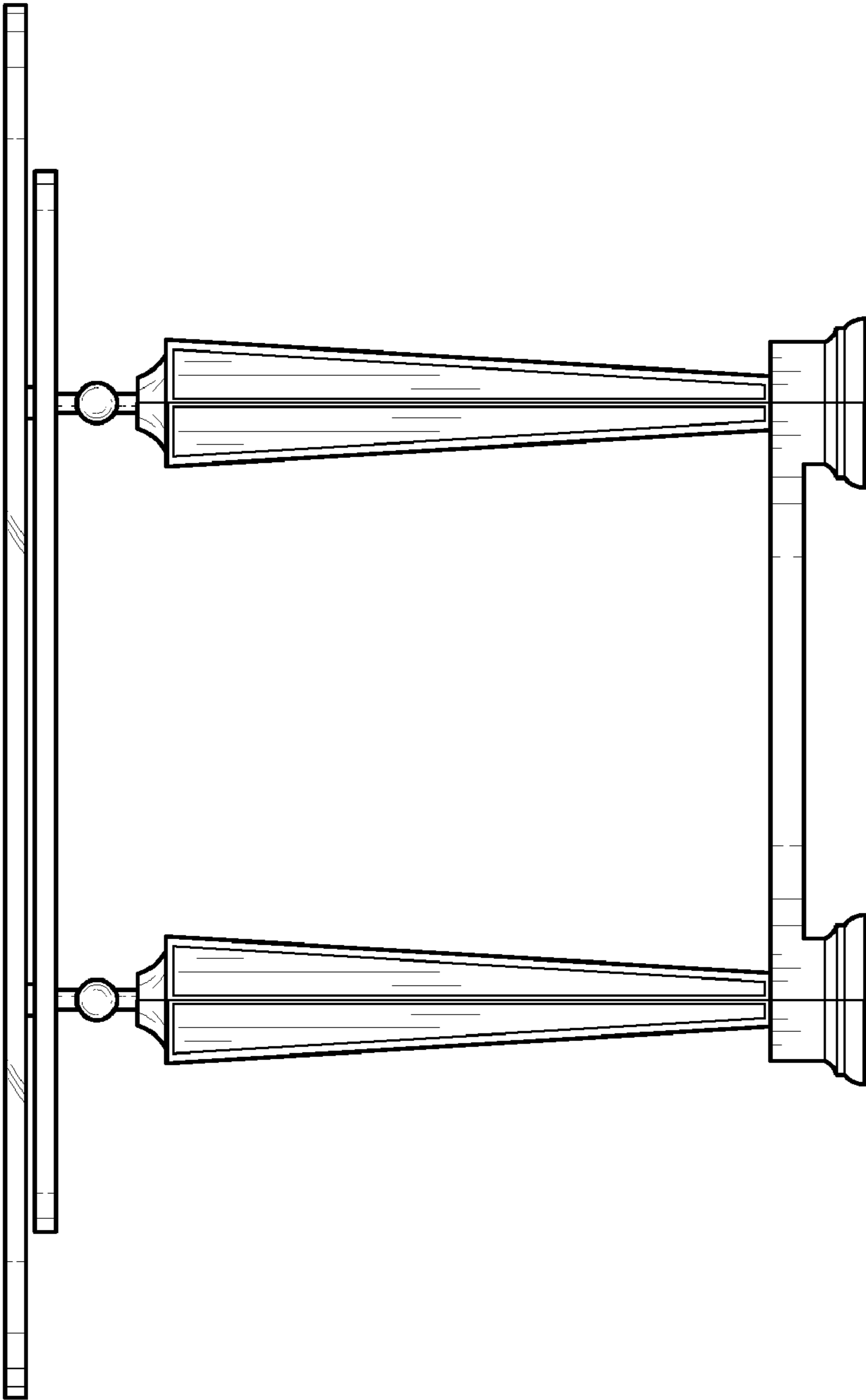


FIG. 3

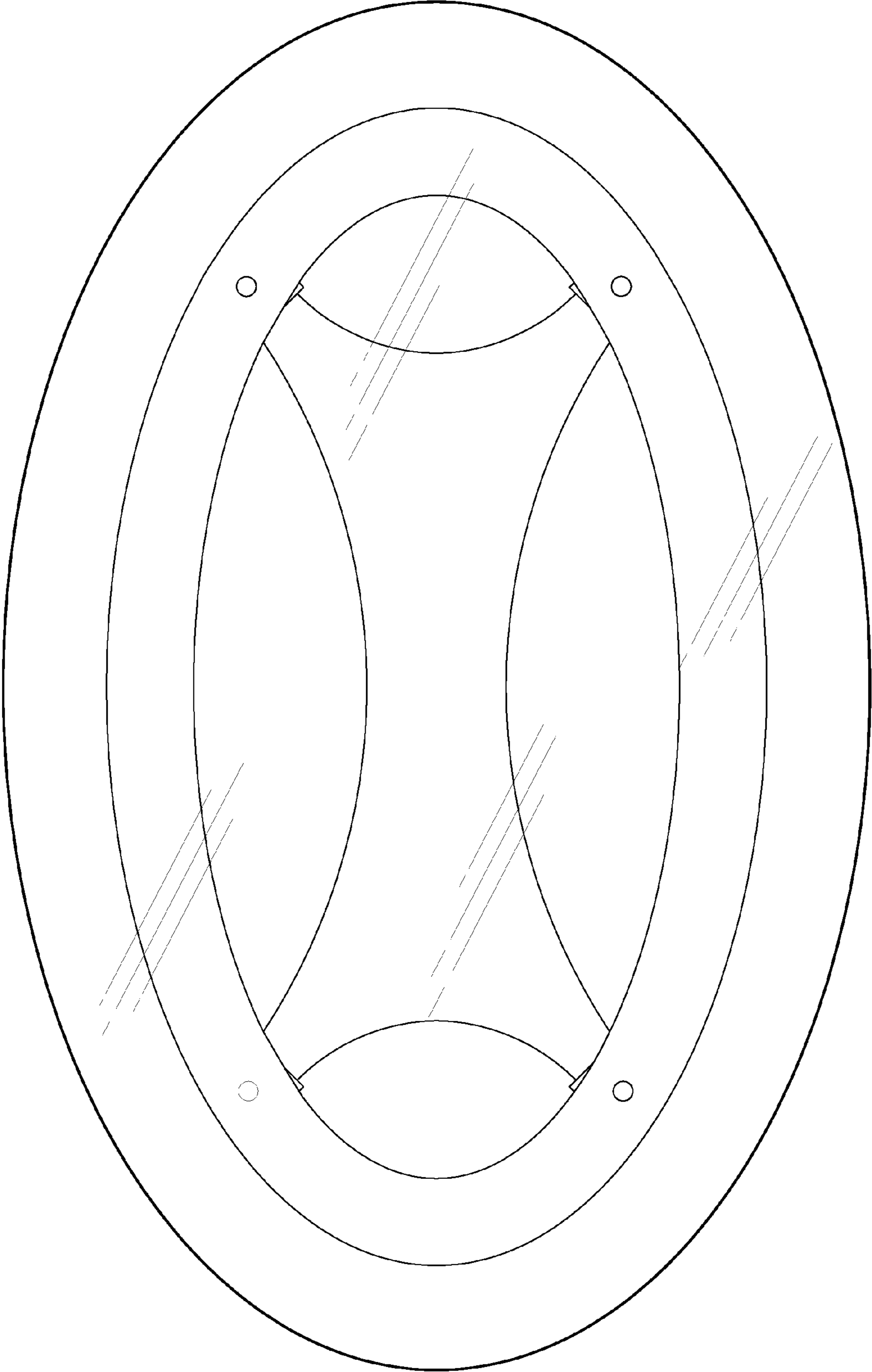


FIG. 4

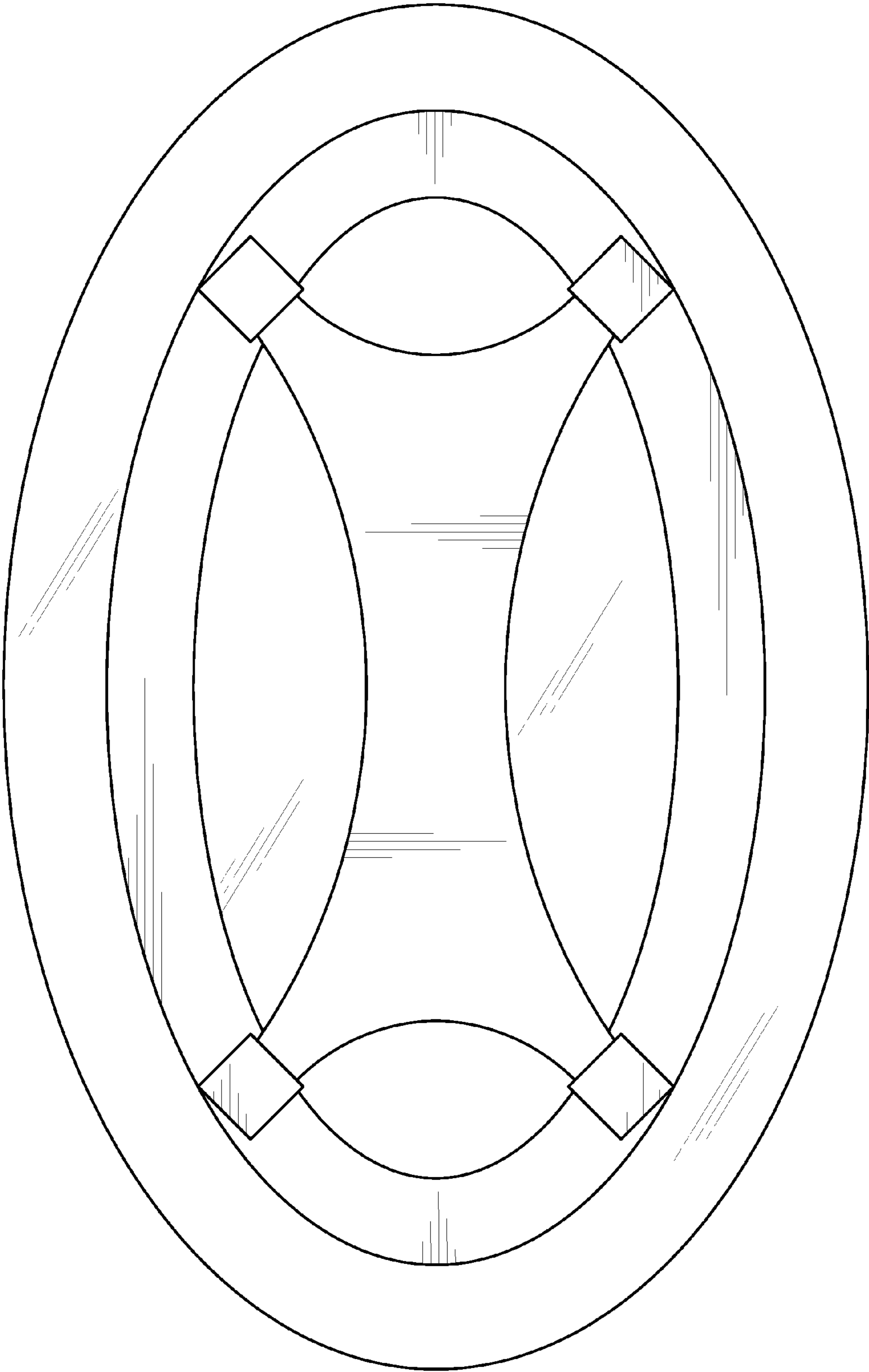


FIG. 5