

US00D573811S

(12) **United States Design Patent**
Weigand

(10) **Patent No.:** **US D573,811 S**
(45) **Date of Patent:** **** Jul. 29, 2008**

(54) **COMBINED CARD AND NEWSPAPER DISPLAY**

(75) Inventor: **Christopher P. Weigand**, Sagamore Hills, OH (US)

(73) Assignee: **American Greetings Corporation**, Cleveland, OH (US)

(**) Term: **14 Years**

(21) Appl. No.: **29/289,451**

(22) Filed: **Jul. 20, 2007**

(51) **LOC (8) Cl.** **06-04**

(52) **U.S. Cl.** **D6/468**

(58) **Field of Classification Search** D6/396,
D6/405, 443, 449, 457, 460-467, 476-479,
D6/486; 211/13.1, 42, 45, 41.1, 49.1, 52,
211/90.01, 90.04, 134, 194; 248/127, 451;
D20/40, 43; 108/59, 64, 92

See application file for complete search history.

(56) **References Cited**

U.S. PATENT DOCUMENTS

D242,751 S *	12/1976	Wells	D6/459
D242,890 S *	1/1977	Hillman et al.	D6/473
4,429,889 A *	2/1984	Westra	280/79.11
D331,331 S *	12/1992	Brunner	D6/414
D333,050 S *	2/1993	Schubert	D6/473
D350,659 S *	9/1994	Di Tomasso	D6/479
D356,454 S *	3/1995	Harris	D6/407

5,394,997 A *	3/1995	Gollob	211/187
D440,077 S *	4/2001	Castillo et al.	D6/466
6,216,894 B1 *	4/2001	Hendricks	211/194
D451,024 S *	11/2001	Glauth et al.	D6/465
D524,573 S *	7/2006	Robinson et al.	D6/463
D537,655 S *	3/2007	Hessell	D6/468

* cited by examiner

Primary Examiner—Caron D. Veynar

Assistant Examiner—Abraham Bahta

(74) *Attorney, Agent, or Firm*—Roetzel & Andress

(57) **CLAIM**

The ornamental design for a combined card and newspaper display, as shown and described.

DESCRIPTION

FIG. 1 is a front perspective view of the combined card and newspaper display showing our new design;

FIG. 2 is a side elevation view, identical to the opposite side elevation thereof;

FIG. 3 is a front elevation view thereof;

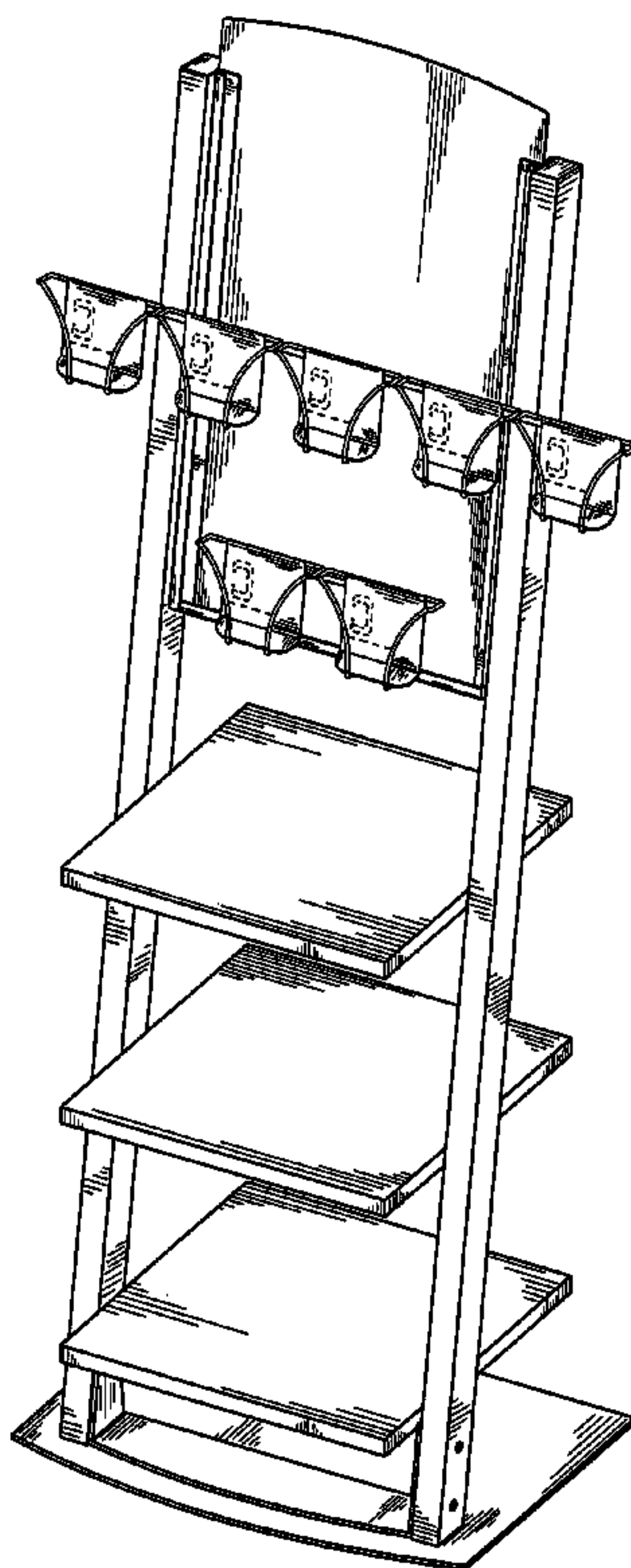
FIG. 4 is a side elevation view; the opposite side being a mirror image thereof;

FIG. 5 is a top plan view thereof; and,

FIG. 6 is a bottom plan view thereof.

The broken lines shown in the drawings are for environmental purposes only and form no part of the claimed design.

1 Claim, 5 Drawing Sheets



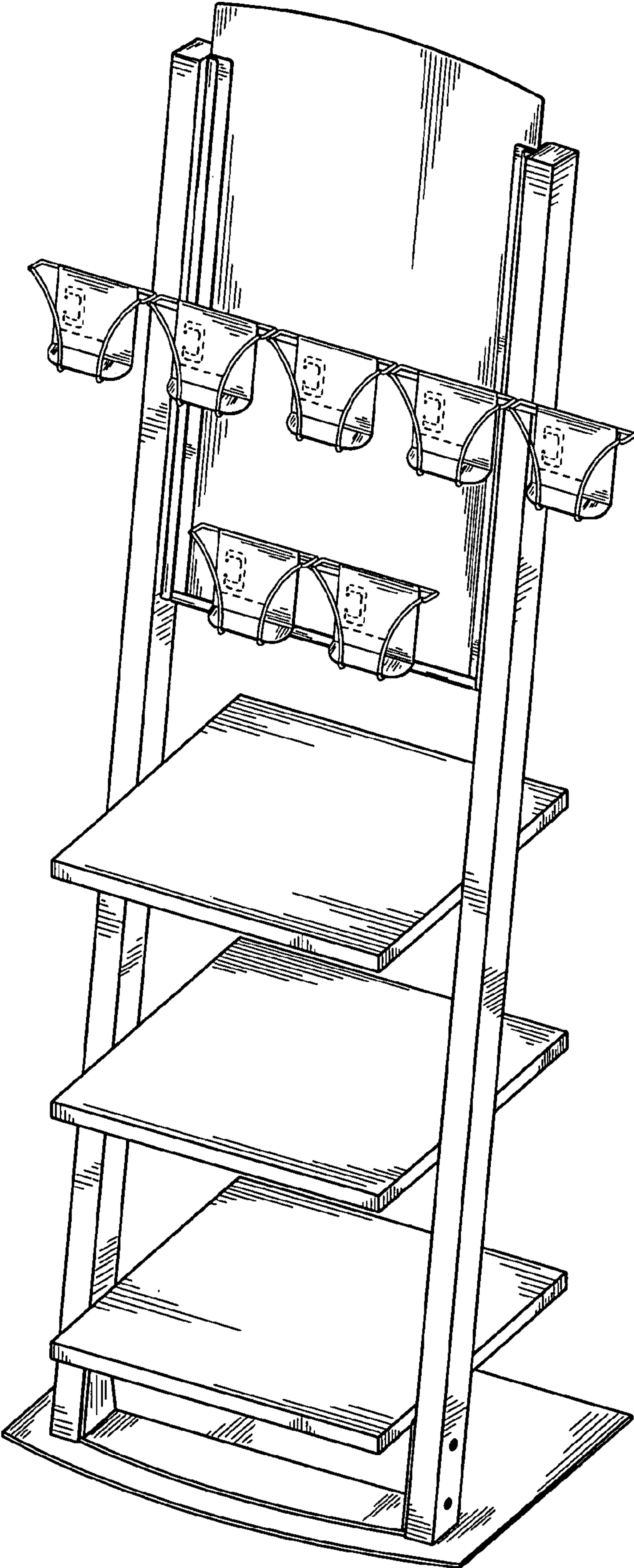


Fig. 1

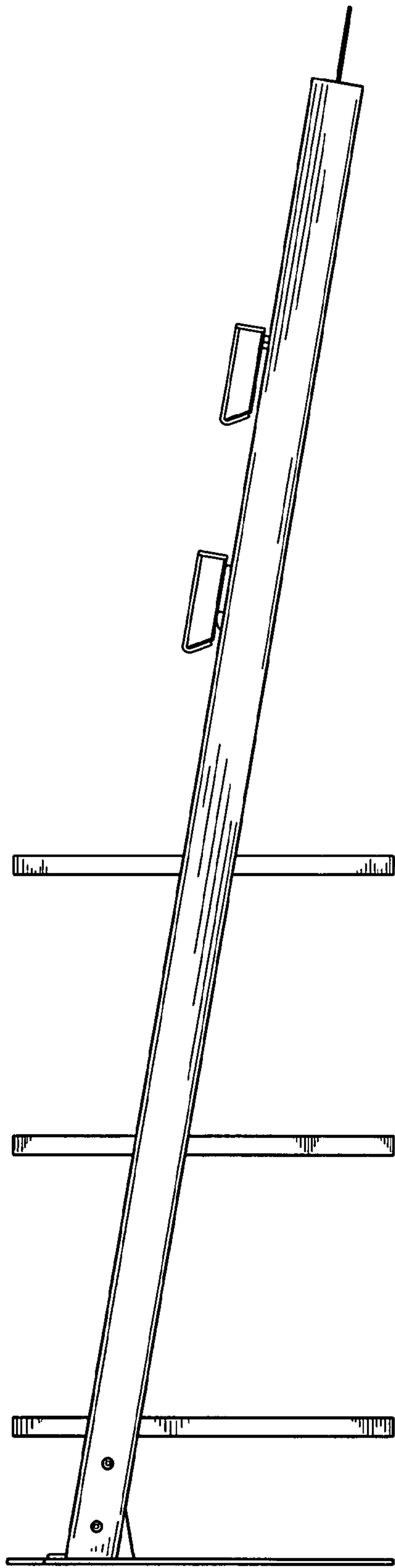


Fig. 2

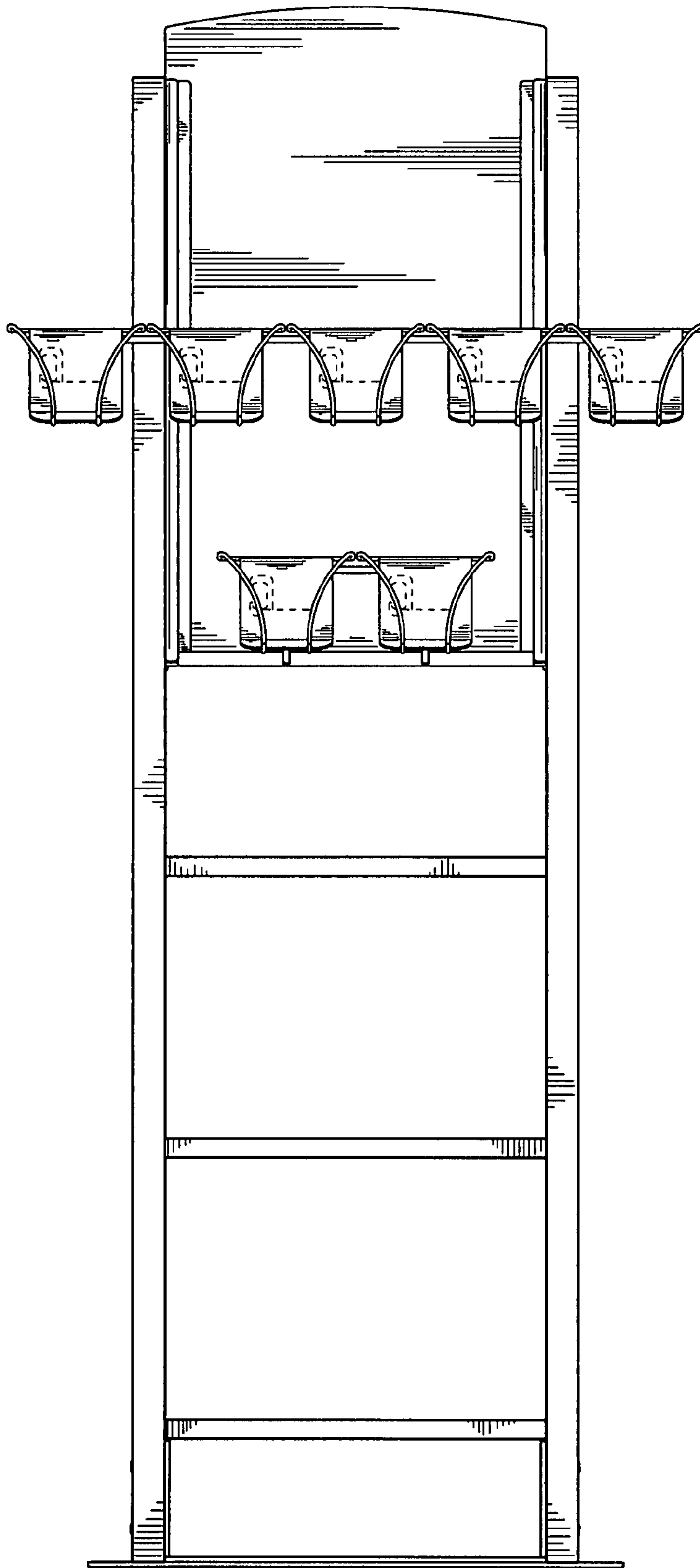


Fig. 3

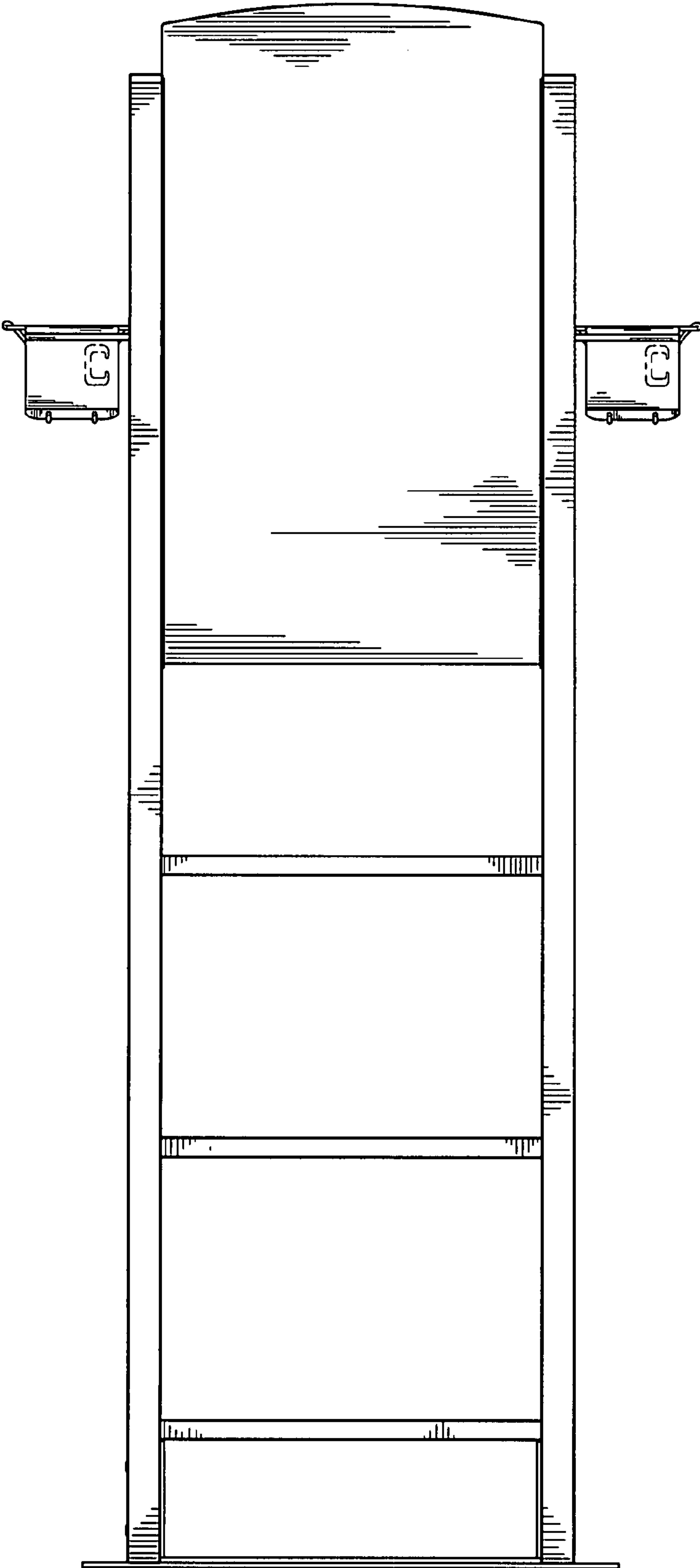


Fig. 4

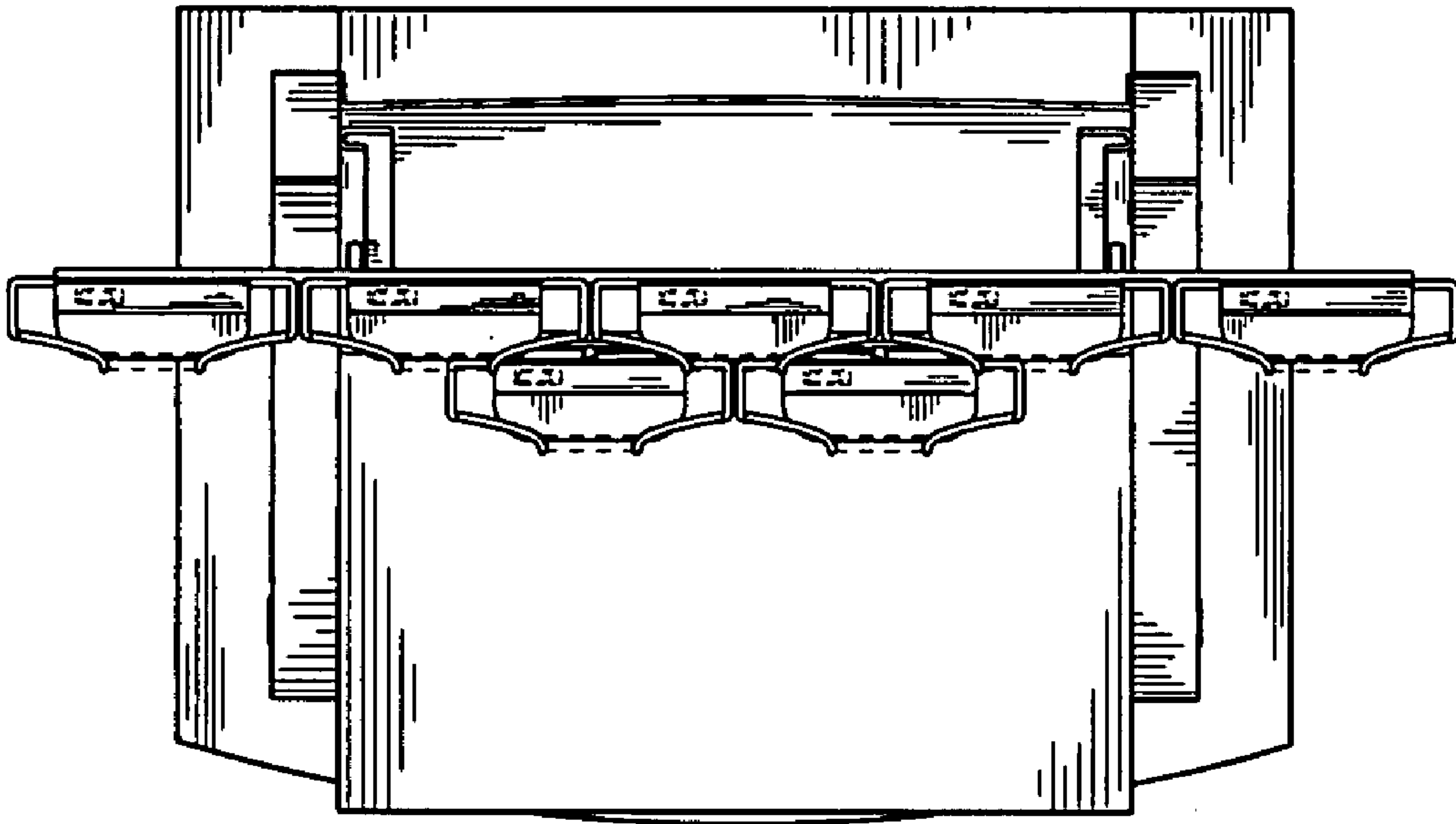


Fig. 5

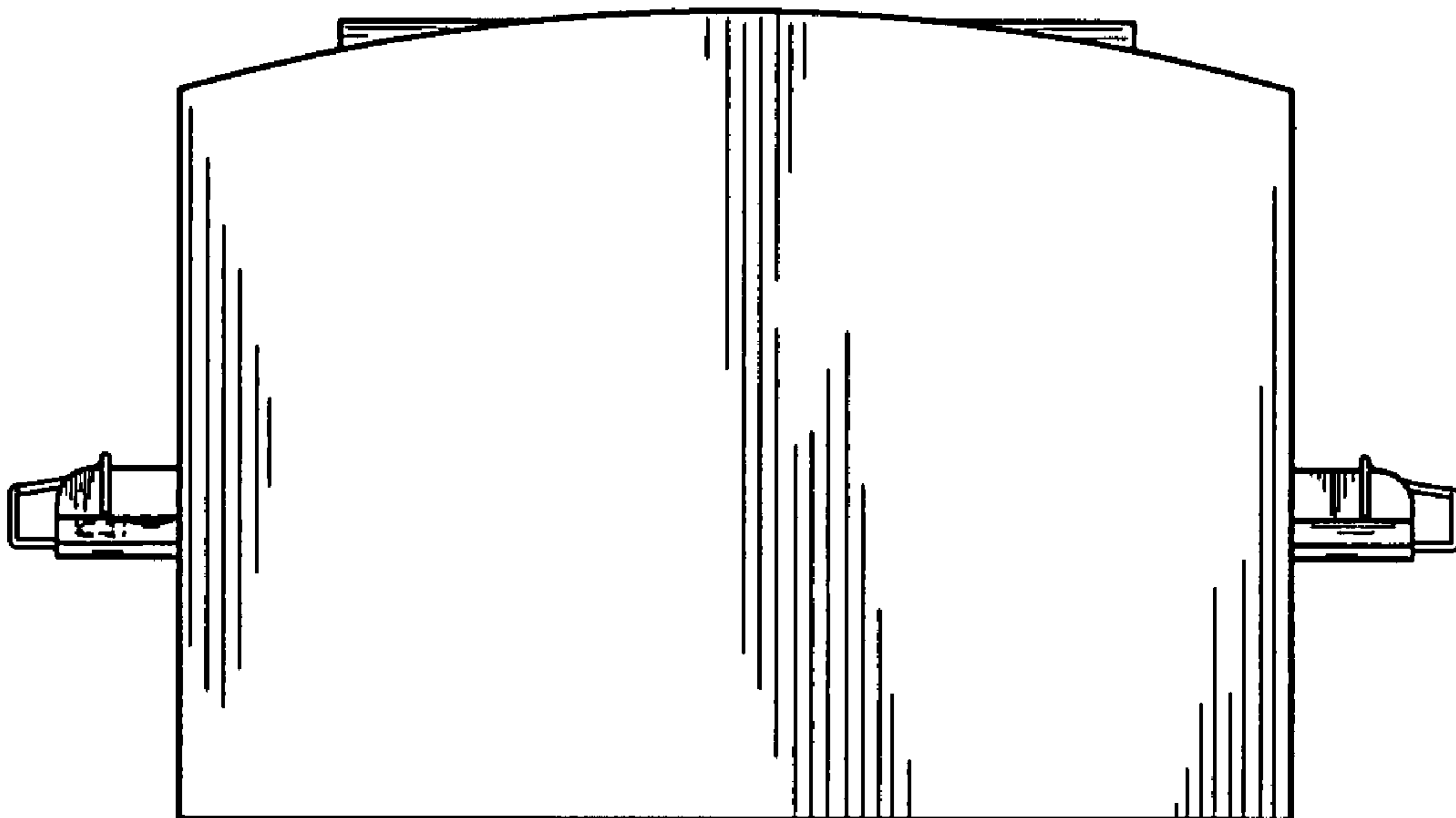


Fig. 6