



US00D573804S

(12) **United States Design Patent**
Bartlmae

(10) **Patent No.:** **US D573,804 S**

(45) **Date of Patent:** **** Jul. 29, 2008**

(54) **CHAIR**

(76) **Inventor:** **Kerstin Bartlmae**, Via Simone Stefani
20B, S. Margherita Lig. (IT) I - 16038

(**) **Term:** **14 Years**

(21) **Appl. No.:** **29/279,876**

(22) **Filed:** **May 9, 2007**

(51) **LOC (8) Cl.** **06-01**

(52) **U.S. Cl.** **D6/374; D6/380**

(58) **Field of Classification Search** D6/334–336,
D6/370–373, 374, 375, 376, 379, 380, 500–502;
297/183.7, 239, 445.1, 446.1, 448.1, 451.1,
297/452.18, 452.2, 452.48, 452.65

See application file for complete search history.

(56) **References Cited**

U.S. PATENT DOCUMENTS

3,159,428	A *	12/1964	Schier	297/452.65
D200,532	S *	3/1965	Williams	D6/380
3,291,529	A *	12/1966	Straits	297/183.7
3,403,882	A *	10/1968	Lindqvist	297/448.1
D413,029	S *	8/1999	Caruso	D6/374
D469,621	S *	2/2003	Kita	D6/380
D486,317	S *	2/2004	Roth	D6/379
D513,456	S *	1/2006	Smith	D6/380
D520,768	S *	5/2006	Glass et al.	D6/374
D541,069	S *	4/2007	Peitz et al.	D6/374
D542,553	S *	5/2007	Peitz et al.	D6/374
D544,228	S *	6/2007	Bartlmae	D6/374

OTHER PUBLICATIONS

Product Information from Hiller website (believed to have been offered for sale, publicly used, and/or published prior to the filing date of this application).

* cited by examiner

Primary Examiner—Mimosa De

(74) *Attorney, Agent, or Firm*—Gifford, Krass, Sprinkle, Anderson & Citkowski, P.C.

(57) **CLAIM**

The ornamental design for a chair, as shown and described.

DESCRIPTION

FIG. 1 is a perspective view of a first embodiment of a chair according to the present invention;

FIG. 2 is a top plan view of the chair of FIG. 1;

FIG. 3 is a bottom view of the chair of FIGS. 1 and 2;

FIG. 4 is a rear elevational view of the chair of FIGS. 1–3;

FIG. 5 is a side-elevational view of the chair of FIGS. 1–4, the other side view being a mirror image thereof;

FIG. 6 is a front-elevational view of the chair of FIGS. 1–5;

FIG. 7 is a perspective view of a second embodiment of a chair according to the present invention;

FIG. 8 is a top plan view of the chair of FIG. 7;

FIG. 9 is a bottom view of the chair of FIGS. 7 and 8;

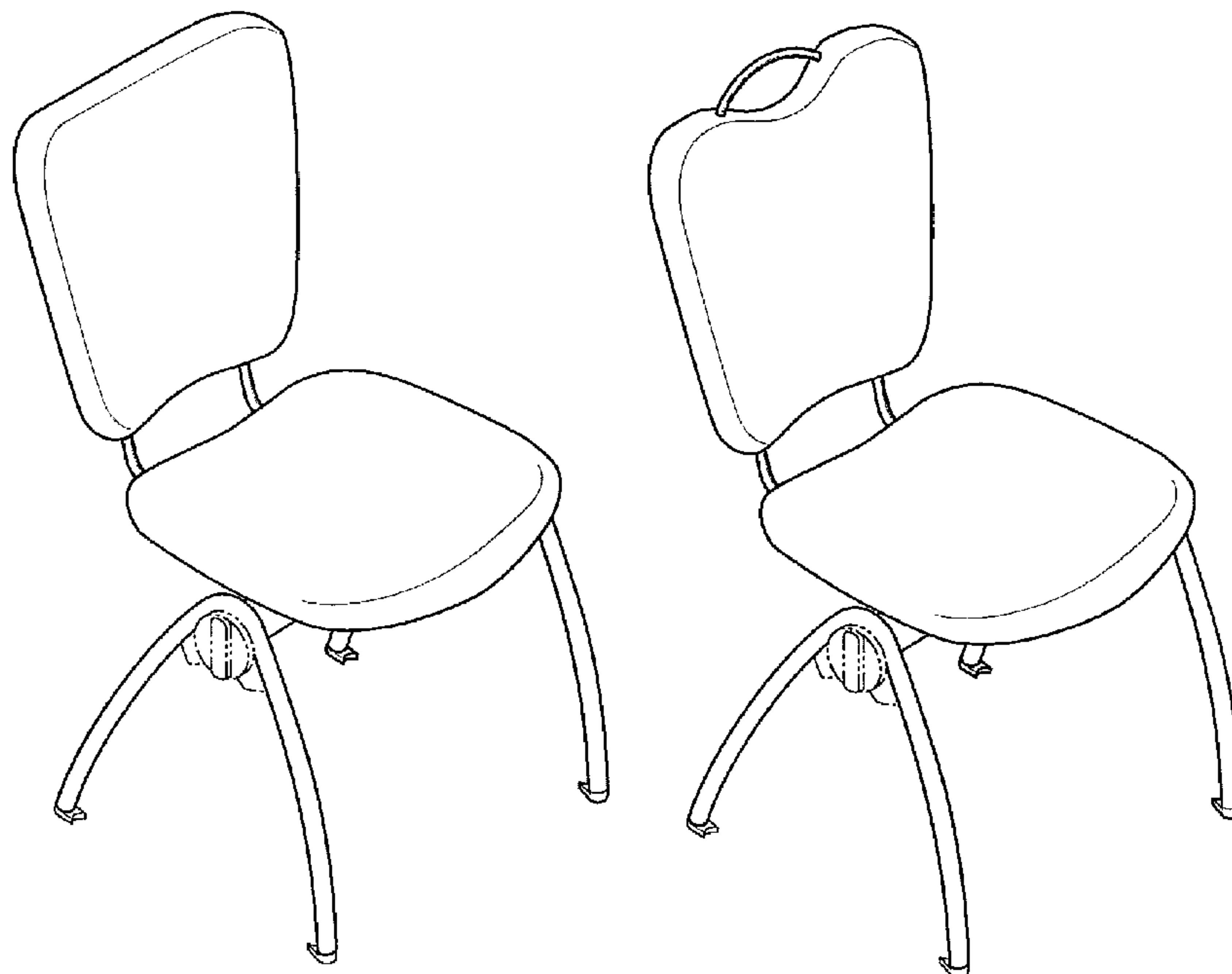
FIG. 10 is a rear elevational view of the chair of FIGS. 7–9;

FIG. 11 is a side-elevational view of the chair of FIGS. 7–10, the other side view being a mirror image thereof; and,

FIG. 12 is a front-elevational view of the chair of FIGS. 7–11.

The broken lines shown in the Figures are for environmental purposes only and form no part of the claimed design.

1 Claim, 6 Drawing Sheets



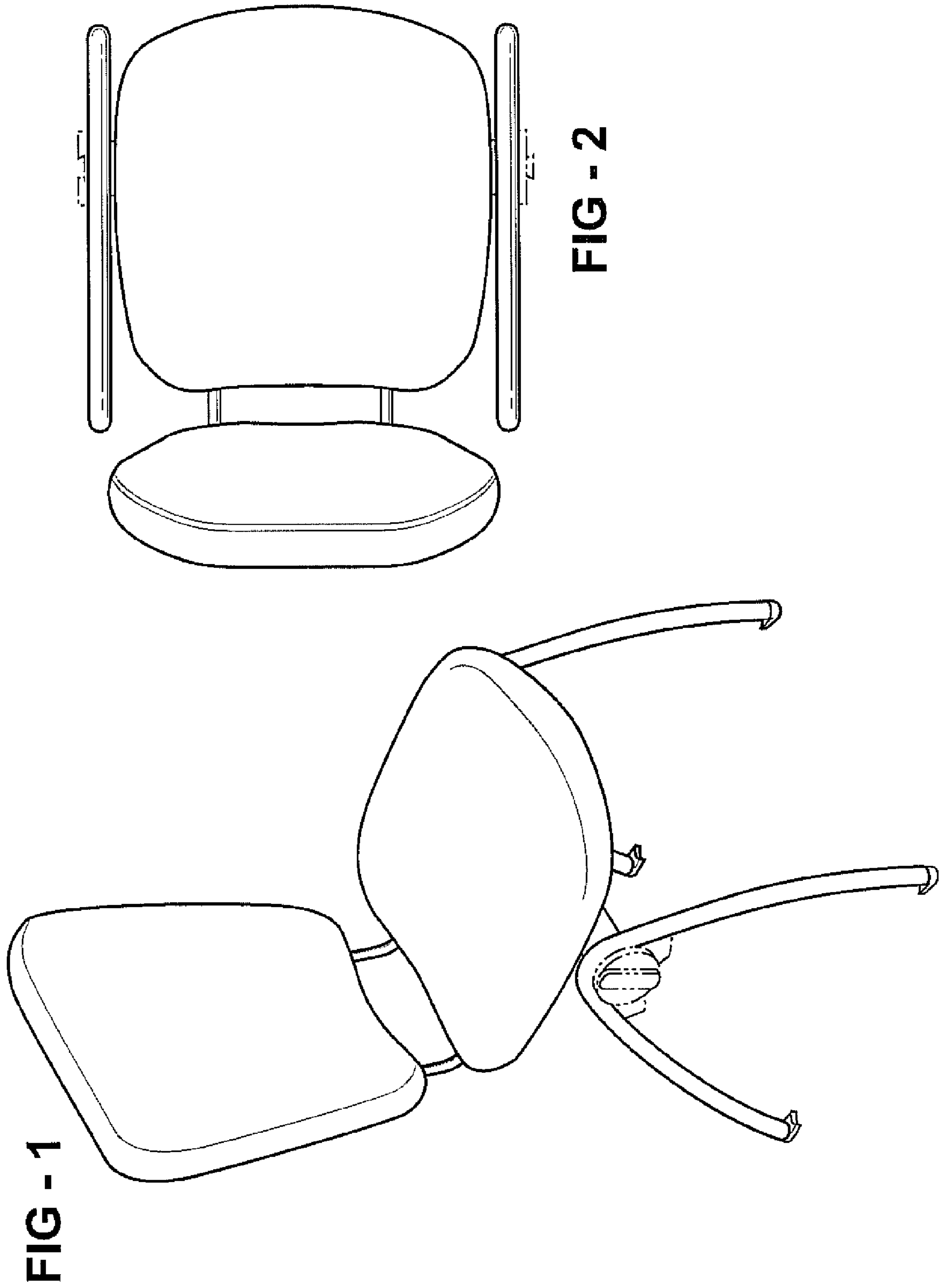


FIG - 1

FIG - 2

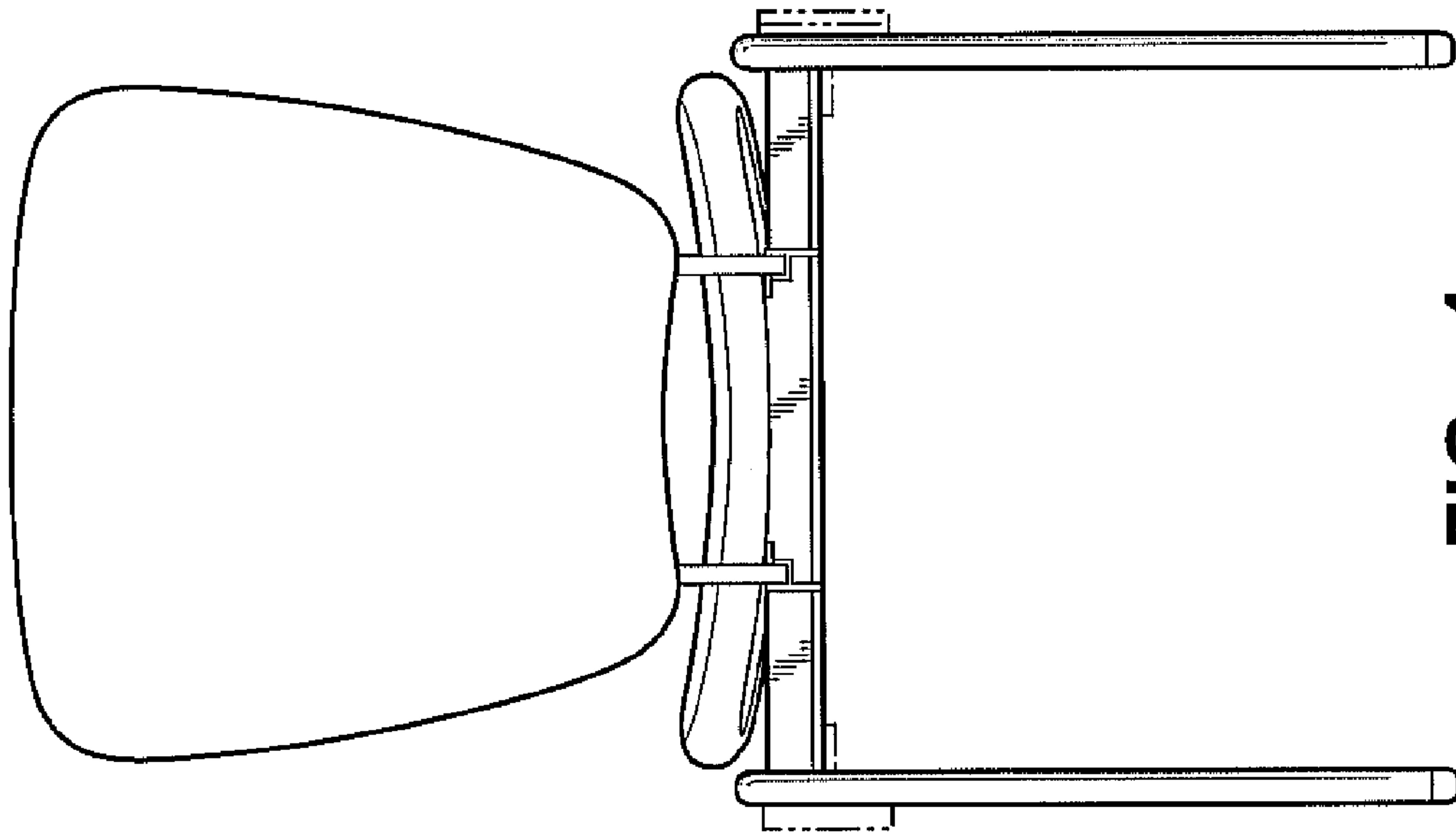


FIG - 4

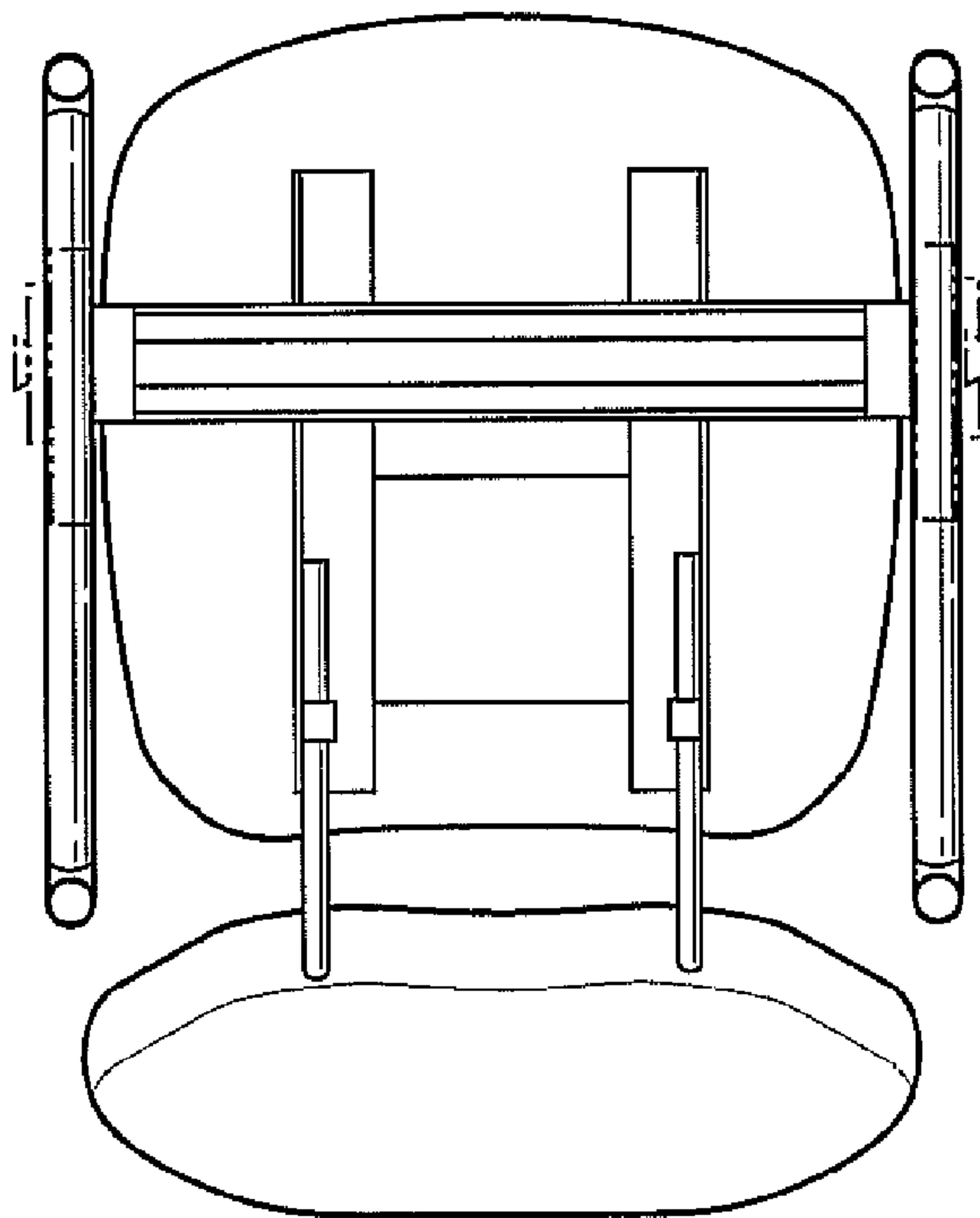


FIG - 3

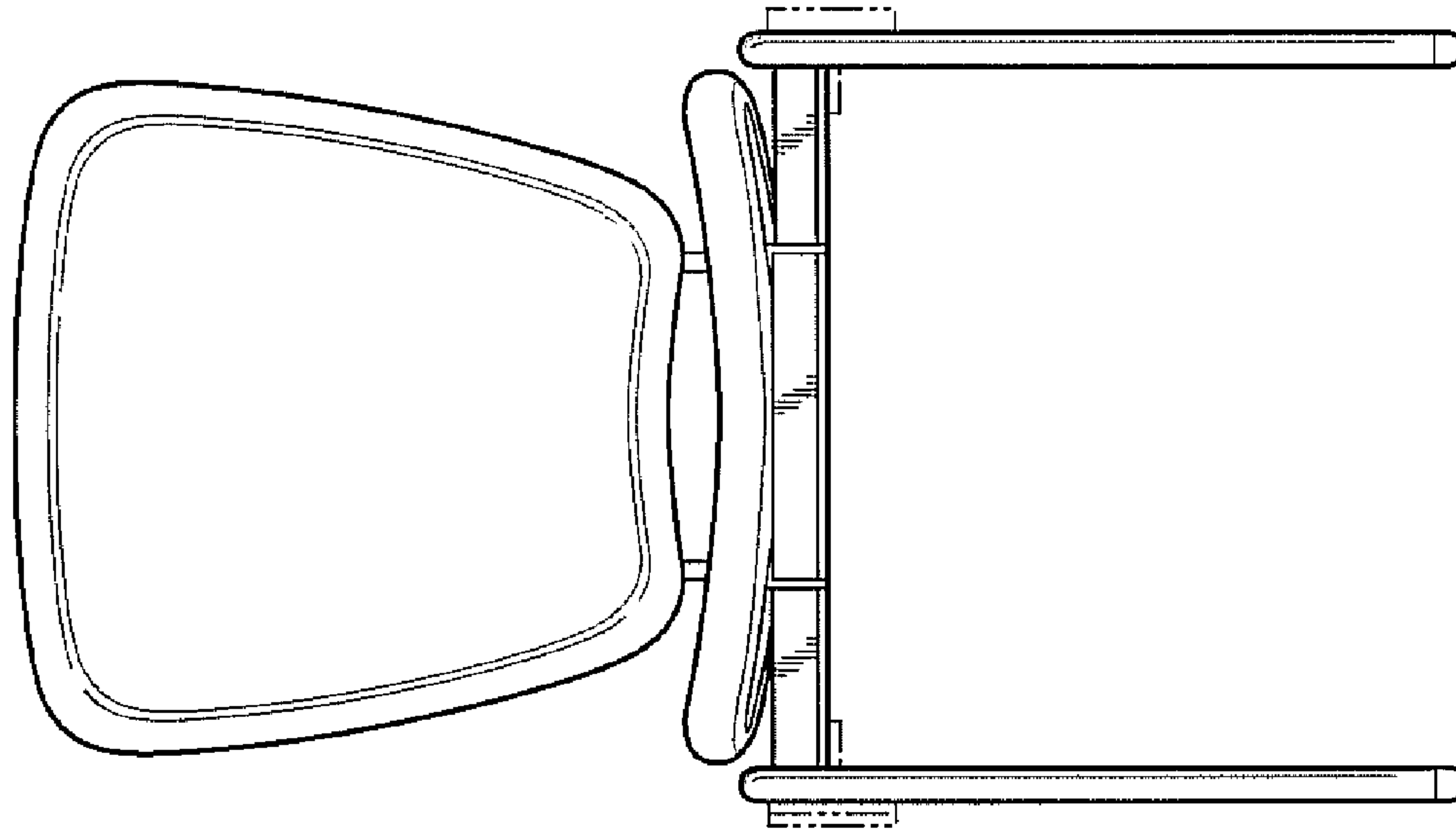


FIG - 6

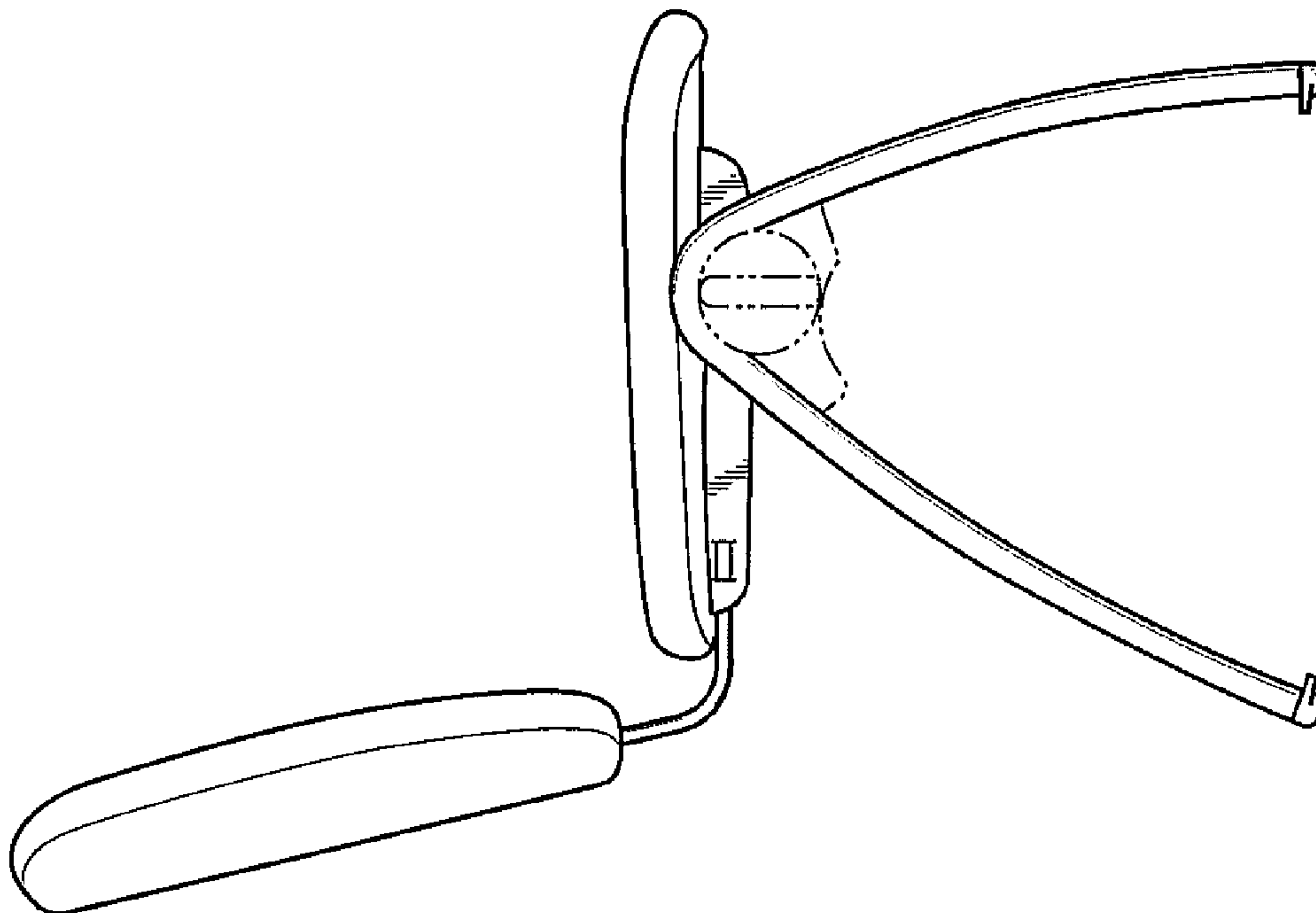


FIG - 5

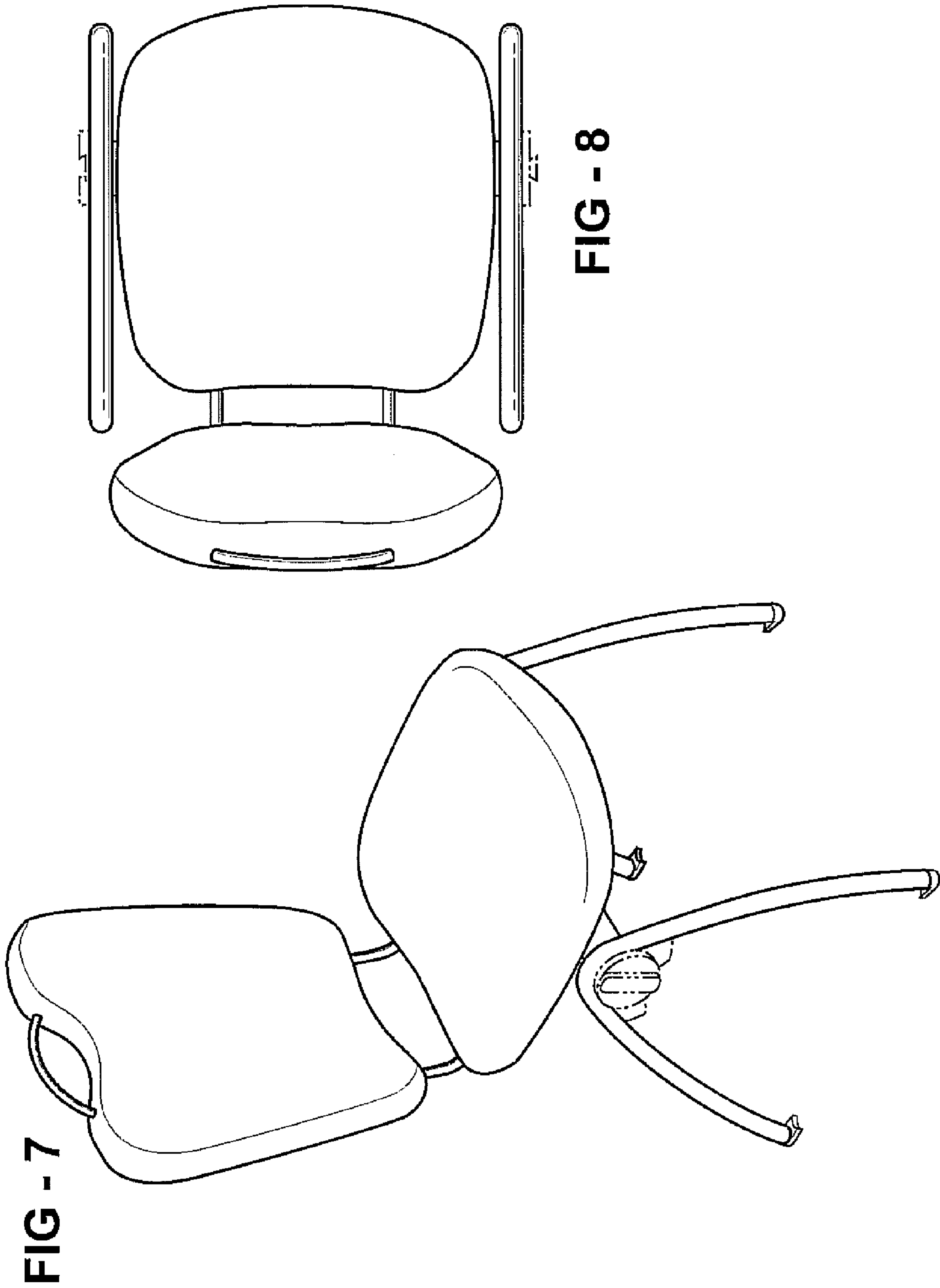


FIG - 7

FIG - 8

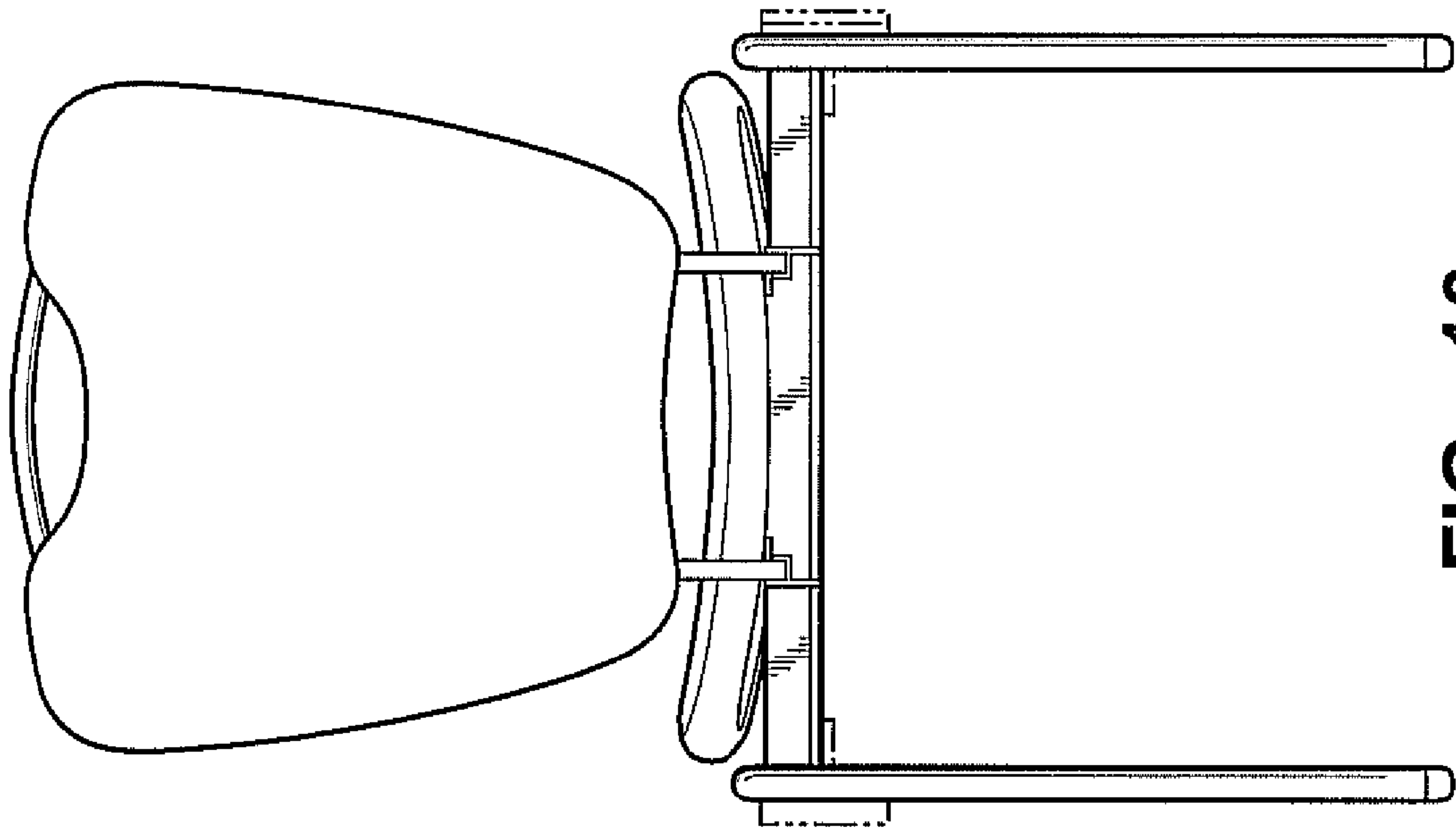


FIG - 10

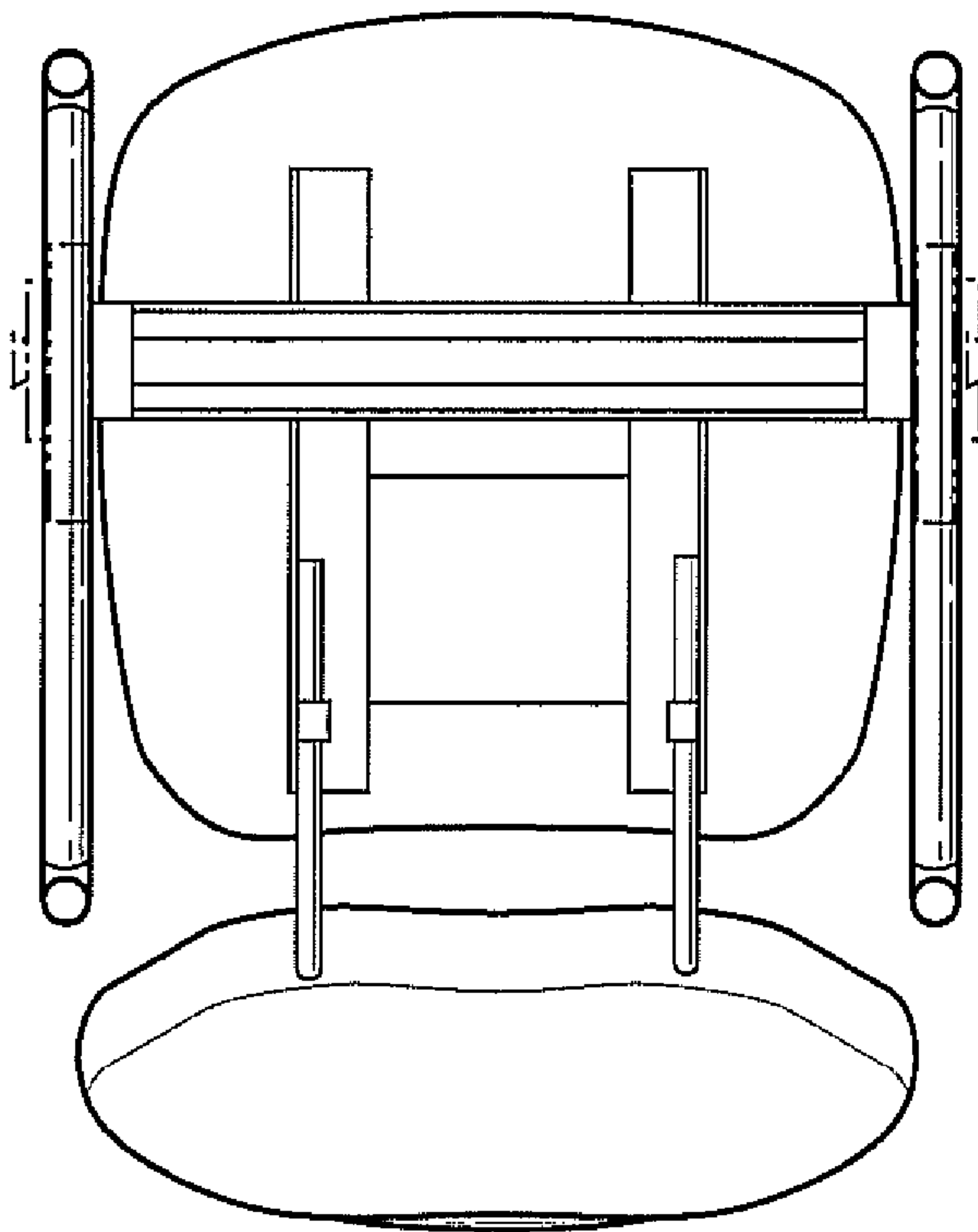


FIG - 9

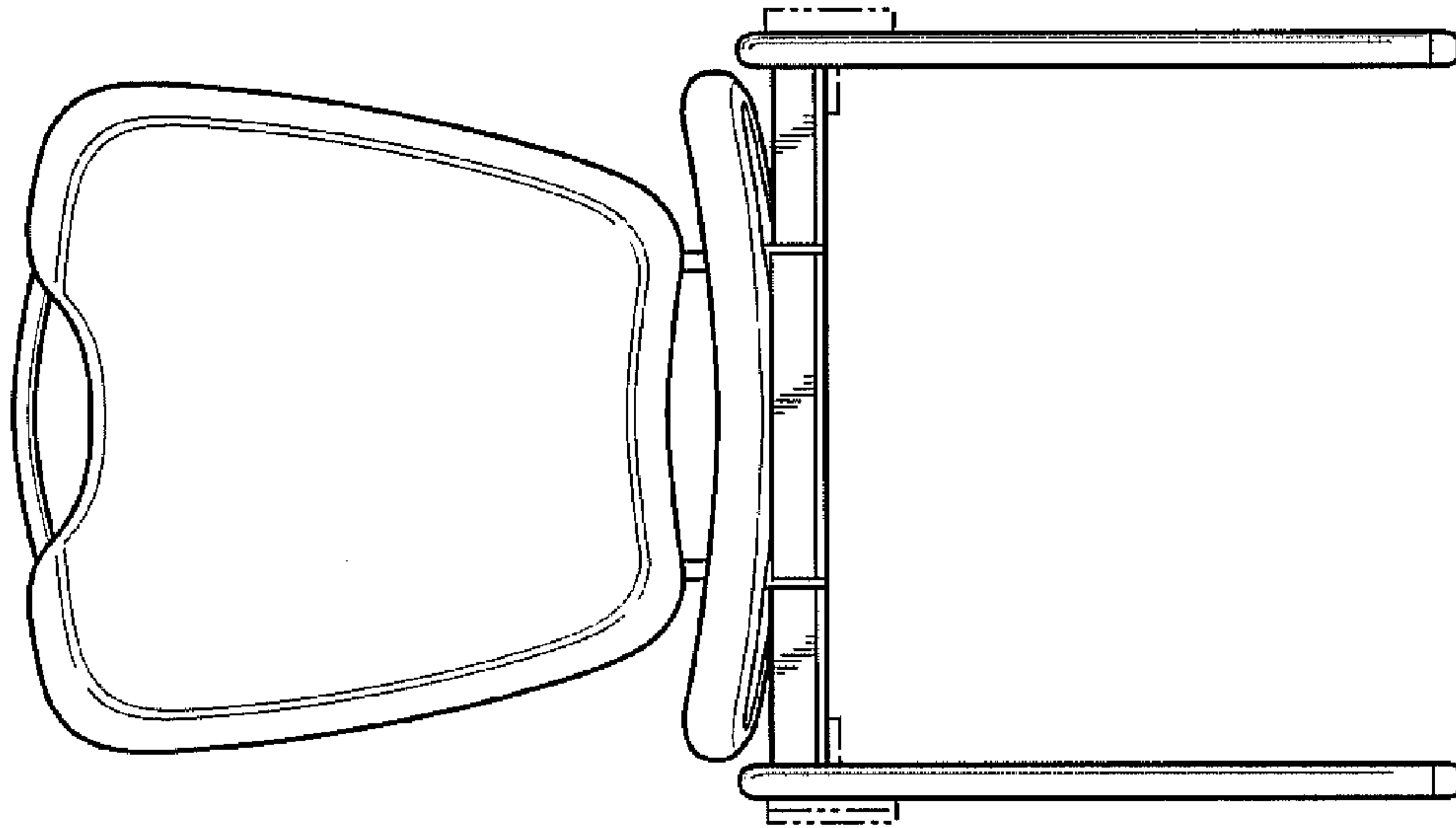


FIG - 12

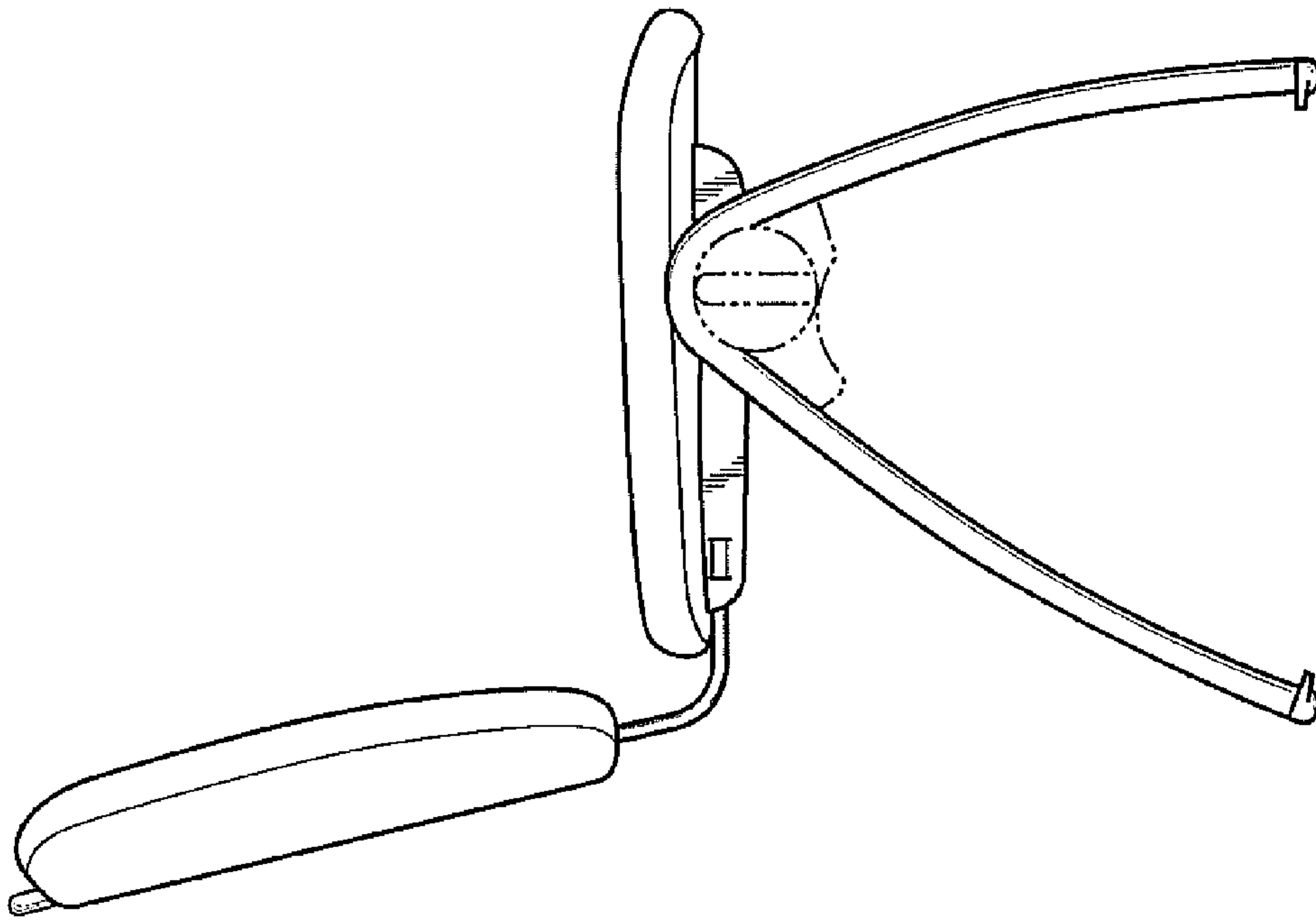


FIG - 11