



US00D573800S

(12) **United States Design Patent**  
**Bäckström et al.**

(10) **Patent No.:** **US D573,800 S**  
(45) **Date of Patent:** **\*\* Jul. 29, 2008**

(54) **BABY BATH SEAT**

(75) Inventors: **Mikael Bäckström**, Chicago, IL (US);  
**Keith Alsberg**, Chicago, IL (US)

(73) Assignee: **Elbee Pty Ltd.**, Bondi Junction, New  
South Wales (AU)

(\*\*) Term: **14 Years**

(21) Appl. No.: **29/293,559**

(22) Filed: **Nov. 30, 2007**

(51) **LOC (8) Cl.** ..... **06-01**

(52) **U.S. Cl.** ..... **D6/333**

(58) **Field of Classification Search** ..... D6/333,  
D6/335, 339, 491, 499-502; D12/129; D21/412,  
D21/416, 419; 280/30, 31; 5/93.1, 93.2,  
5/94, 98.1, 99.1, 101, 102, 655; 297/183.1,  
297/183.2, 183.3, 183.4, 184.14, 184.15,  
297/250.1, 255, 256.15, 256.16

See application file for complete search history.

(56) **References Cited**

**U.S. PATENT DOCUMENTS**

3,031,229	A	4/1962	Symbaluk	
4,650,246	A	3/1987	Henriksson	
5,010,606	A	4/1991	Bernstein et al.	
D320,528	S	10/1991	Bernstein et al.	
D327,777	S	7/1992	Tepper	
D348,309	S *	6/1994	Freese et al. ....	D23/303
5,317,765	A	6/1994	Knoedler et al.	
5,321,859	A *	6/1994	Buckshaw et al. ....	4/572.1

5,588,158	A	12/1996	Poulson et al.	
D382,719	S *	8/1997	Conrado et al. ....	D6/333
5,687,433	A *	11/1997	Garner et al. ....	4/572.1
D468,913	S *	1/2003	Desnos .....	D6/333
6,626,487	B1 *	9/2003	Buitendach .....	297/153
D489,538	S *	5/2004	Shibata et al. ....	D6/333
D545,578	S *	7/2007	Ishikawa .....	D6/333
D550,971	S *	9/2007	McConnell .....	D6/333
D553,865	S *	10/2007	Buitendach .....	D6/333

**OTHER PUBLICATIONS**

baby Bath Seat label of Tee-Zed.com.

\* cited by examiner

*Primary Examiner*—Sandra Snapp

(74) *Attorney, Agent, or Firm*—Wolf Greenfield & Sacks

(57) **CLAIM**

The ornamental design for a baby bath seat, as shown and described.

**DESCRIPTION**

FIG. 1 is a perspective view of the baby bath seat embodying our new design;

FIG. 2 is a front elevation view thereof;

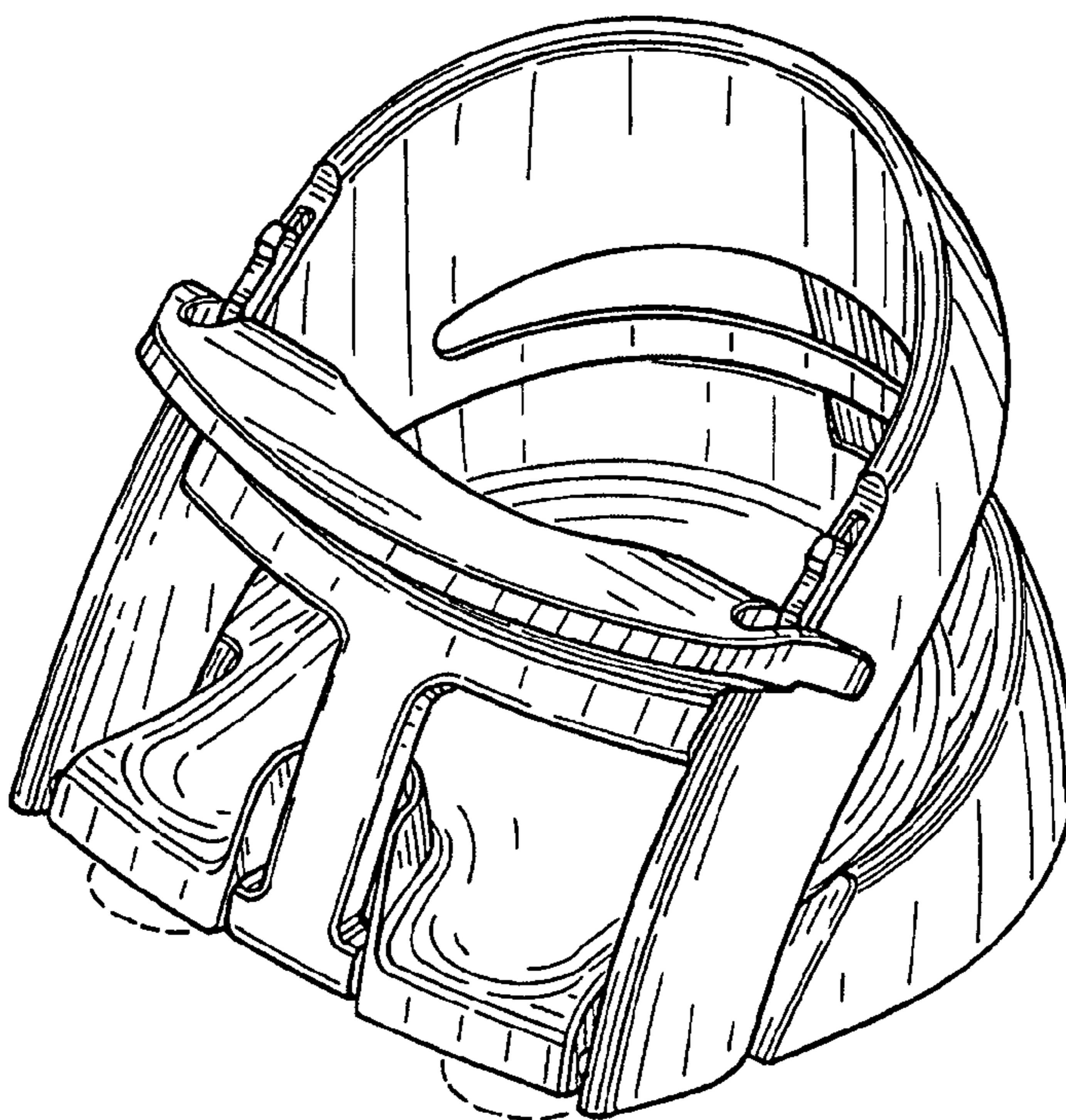
FIG. 3 is a rear elevation view thereof;

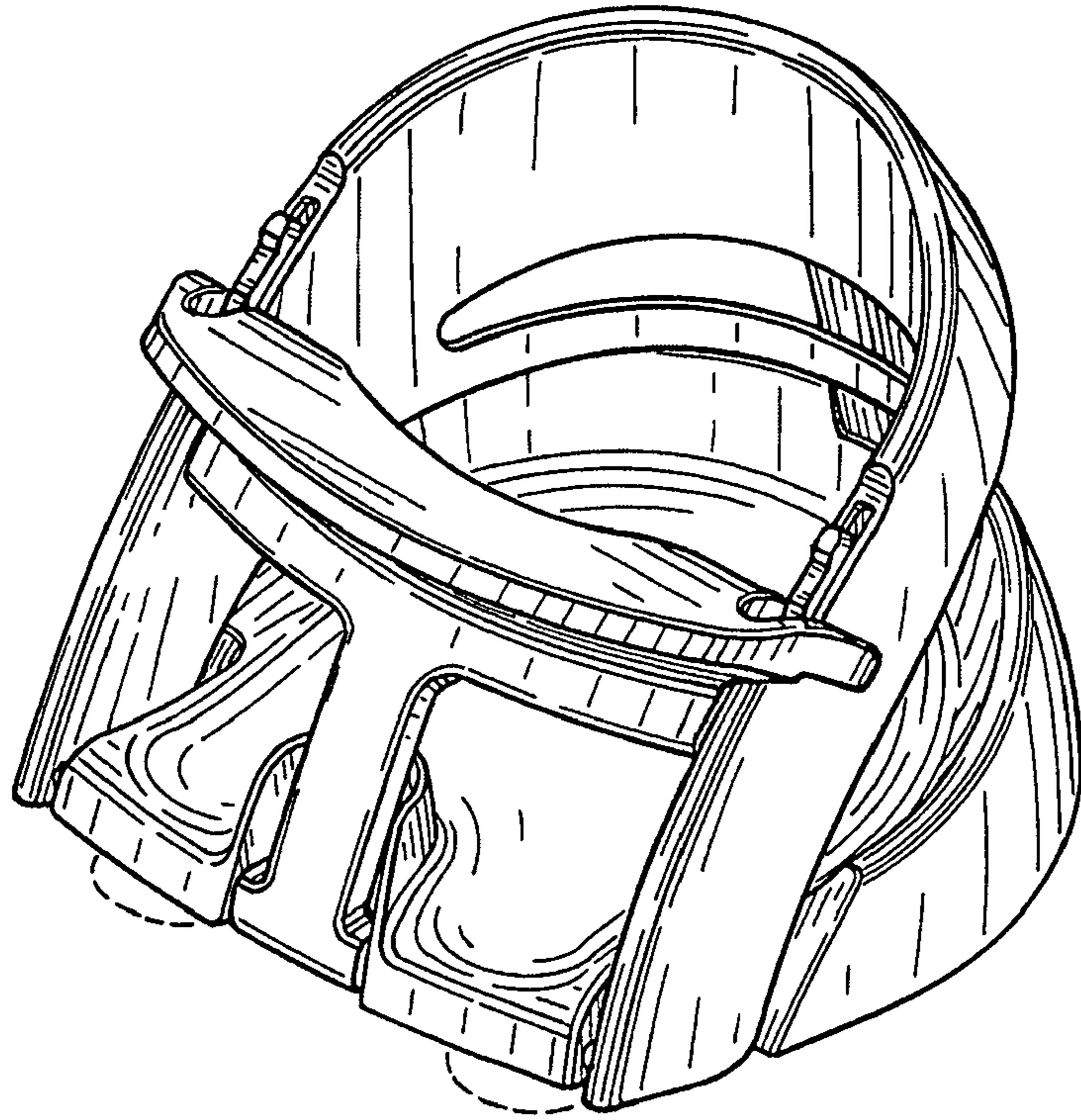
FIG. 4 is a right side elevation view thereof, the left side being a mirror image thereof; and,

FIG. 5 is a top plan view thereof.

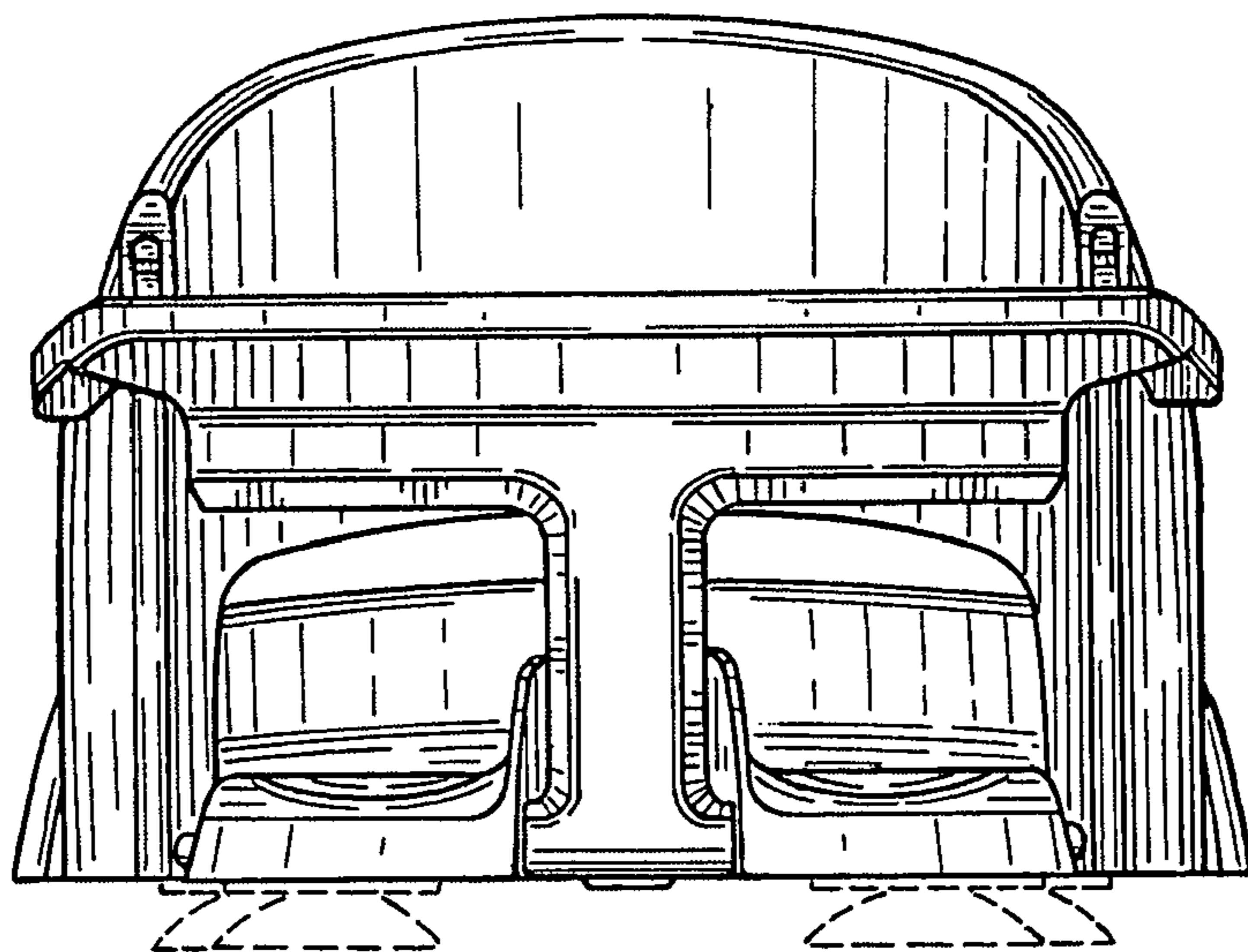
The broken lines shown in the drawings are for illustrative purposes only and form no part of the claimed design.

**1 Claim, 3 Drawing Sheets**

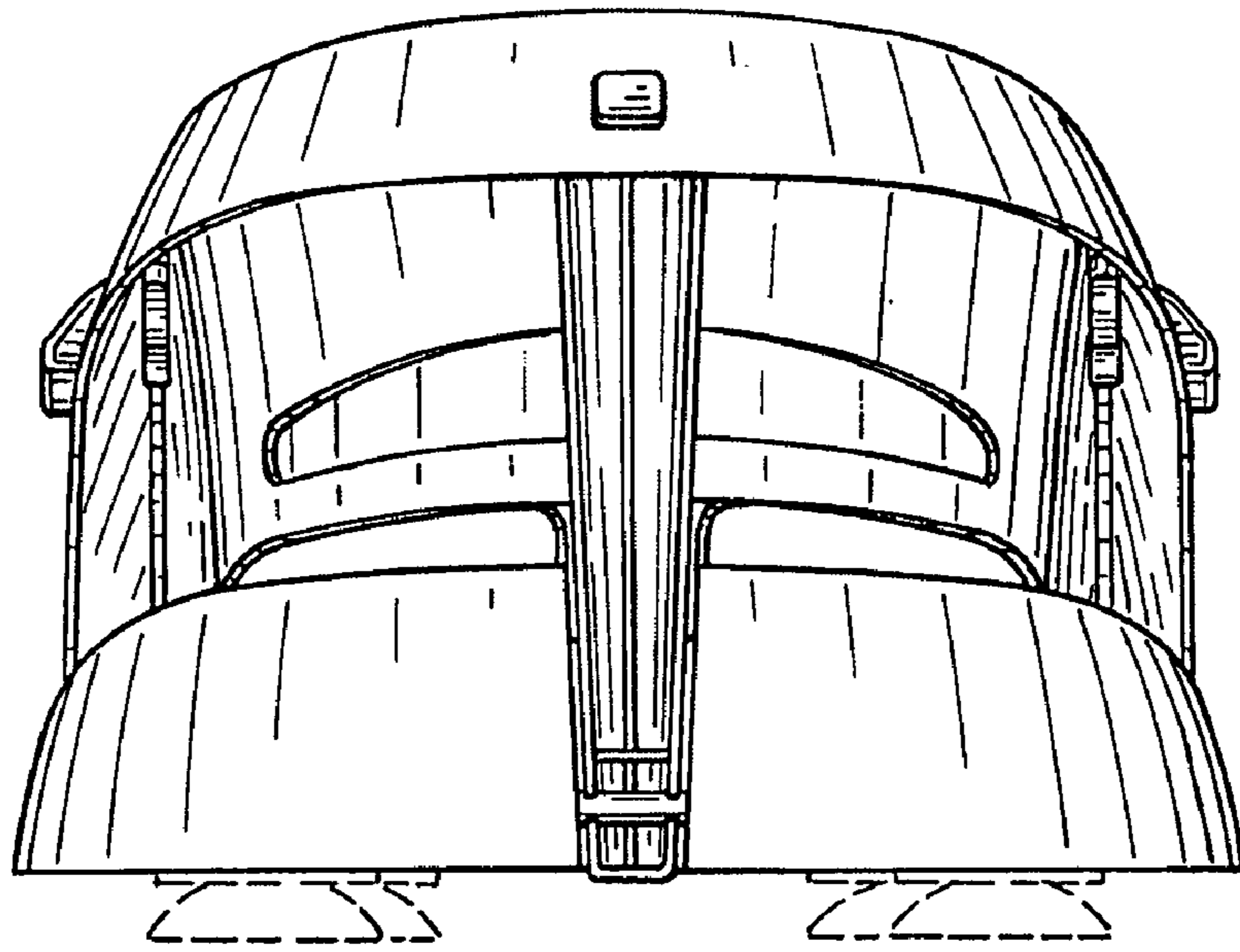




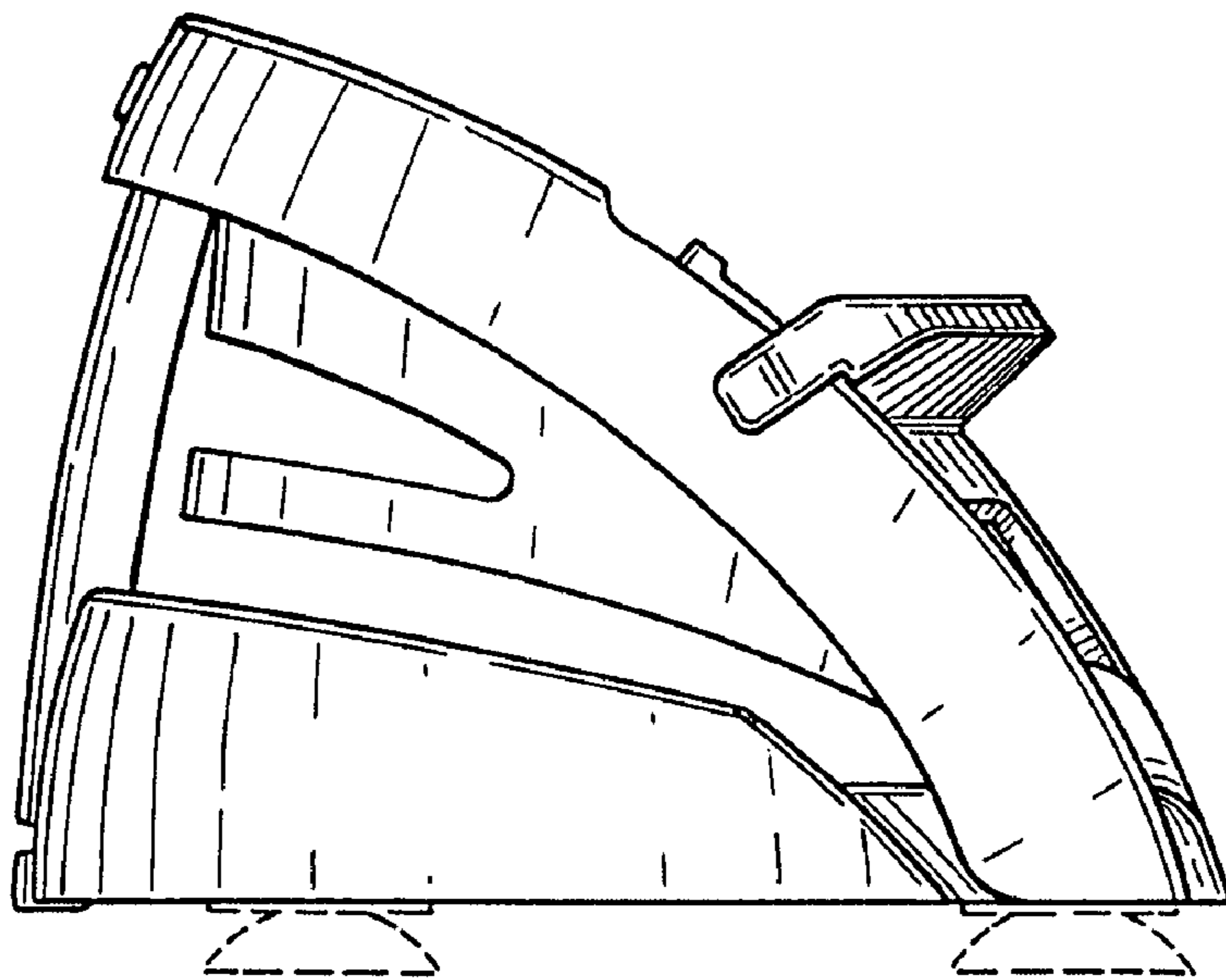
*Fig. 1*



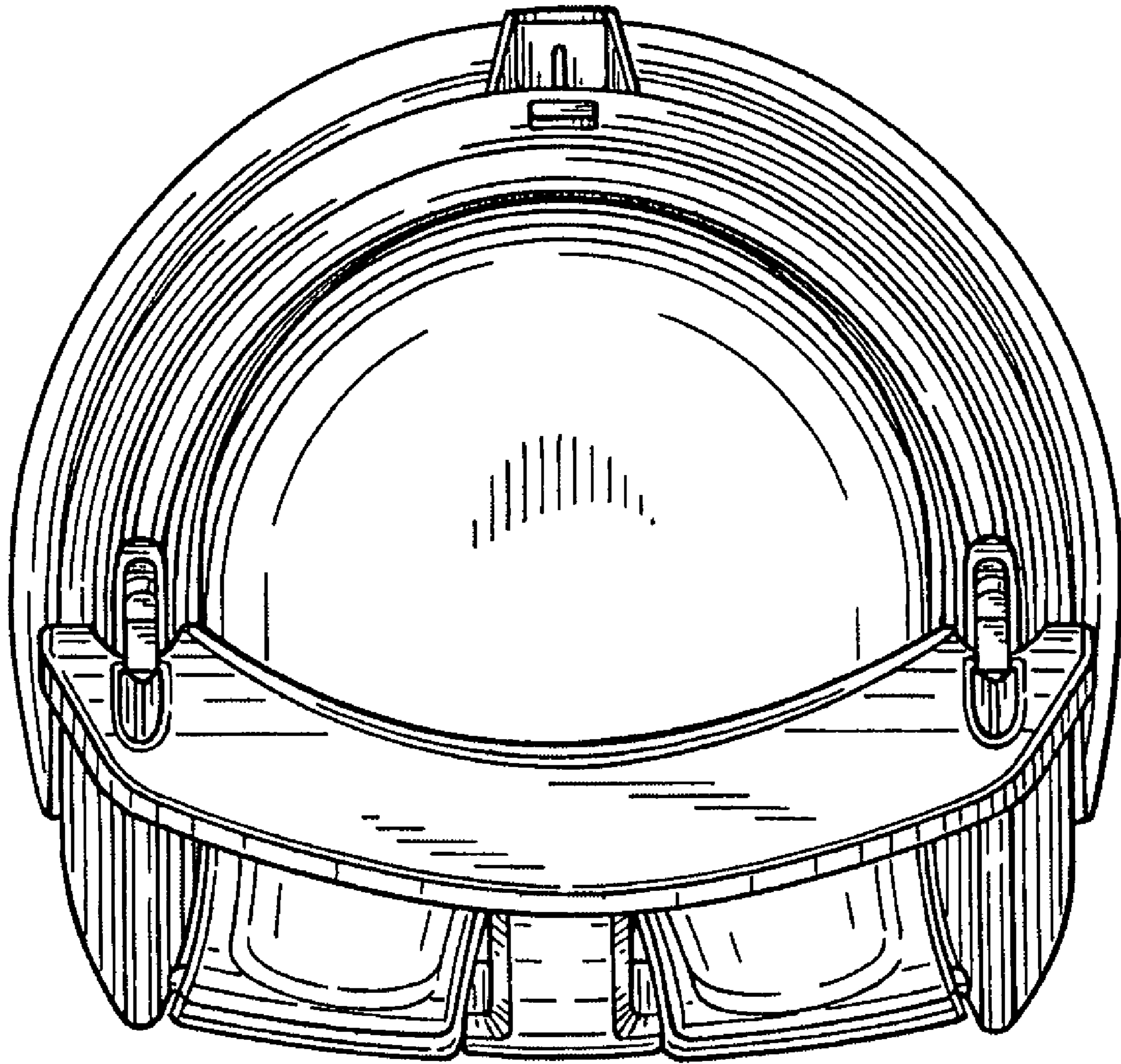
*Fig. 2*



*Fig. 3*



*Fig. 4*



*Fig. 5*