



US00D573795S

(12) **United States Design Patent**  
**Henderson et al.**

(10) **Patent No.:** **US D573,795 S**  
(45) **Date of Patent:** **\*\* Jul. 29, 2008**

(54) **DIAPER CADDY**

(75) Inventors: **Scott A. Henderson**, Brooklyn, NY  
(US); **Ellen D. Diamant**, New York, NY  
(US); **Michael E. Diamant**, New York,  
CA (US)

(73) Assignee: **Skip Hop, Inc.**, New York, NY (US)

(\*\*) Term: **14 Years**

(21) Appl. No.: **29/267,708**

(22) Filed: **Oct. 20, 2006**

(51) **LOC (8) Cl.** ..... **03-01**

(52) **U.S. Cl.** ..... **D3/315**

(58) **Field of Classification Search** ..... D3/201,  
D3/231-233, 243-246, 279, 283, 286, 290,  
D3/303, 315, 319; 150/100, 107-108, 112,  
150/118-119, 130; 190/108-109, 112, 115,  
190/902; 383/25, 38, 907

See application file for complete search history.

(56) **References Cited**

**U.S. PATENT DOCUMENTS**

4,685,559 A \* 8/1987 Titus ..... 206/38  
D341,027 S 11/1993 Godden et al.  
5,638,957 A 6/1997 Brasier  
5,678,727 A 10/1997 Rice  
5,706,950 A 1/1998 Houghton et al.  
D405,265 S \* 2/1999 Chapelson ..... D3/303  
5,868,227 A \* 2/1999 Garcia ..... 190/112

D419,763 S \* 2/2000 Wiebe ..... D3/233  
6,745,895 B2 6/2004 Silvers  
D520,747 S \* 5/2006 McClain ..... D3/303  
2003/0230499 A1 \* 12/2003 Wagner ..... 206/216  
2007/0190497 A1 \* 8/2007 Moeller et al. .... 434/80

**OTHER PUBLICATIONS**

[http://www.babystyle.com/common/dProductDetail.asp?SIN...rcaddy&cm\\_mmc=Froogle-\\_-gear-\\_-toolboxdiapercaddy](http://www.babystyle.com/common/dProductDetail.asp?SIN...rcaddy&cm_mmc=Froogle-_-gear-_-toolboxdiapercaddy) Mar. 7, 2008.\*

<http://images.rightstart.com/global/images/large/6155.jpg> Mar. 13, 2008.\*

[http://us.st11yimg.com/us.st.yimg.com/l/sparkability\\_1989\\_25898857](http://us.st11yimg.com/us.st.yimg.com/l/sparkability_1989_25898857) Mar. 13, 2008.\*

\* cited by examiner

*Primary Examiner*—Louis S Zarfaz

*Assistant Examiner*—Kathleen M Sims

(57) **CLAIM**

The ornamental design for a diaper caddy, as shown and described.

**DESCRIPTION**

FIG. 1 is a front view of a diaper caddy, the rear view being a mirror image, showing our new design;

FIG. 2 is a side view thereof, the opposite side being a mirror image;

FIG. 3 is a top view thereof; and,

FIG. 4 is a perspective view thereof.

**1 Claim, 4 Drawing Sheets**

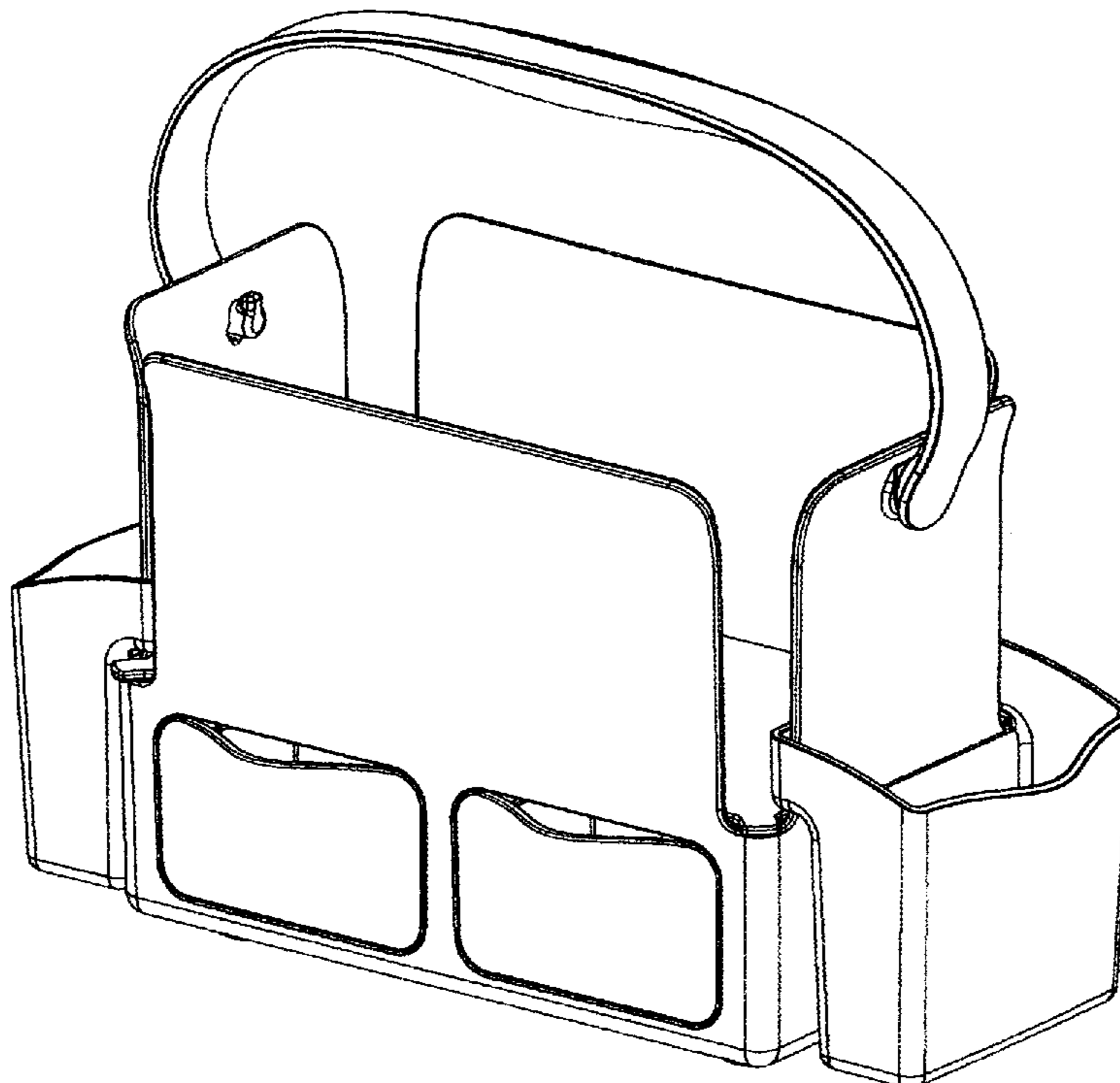


Figure 1

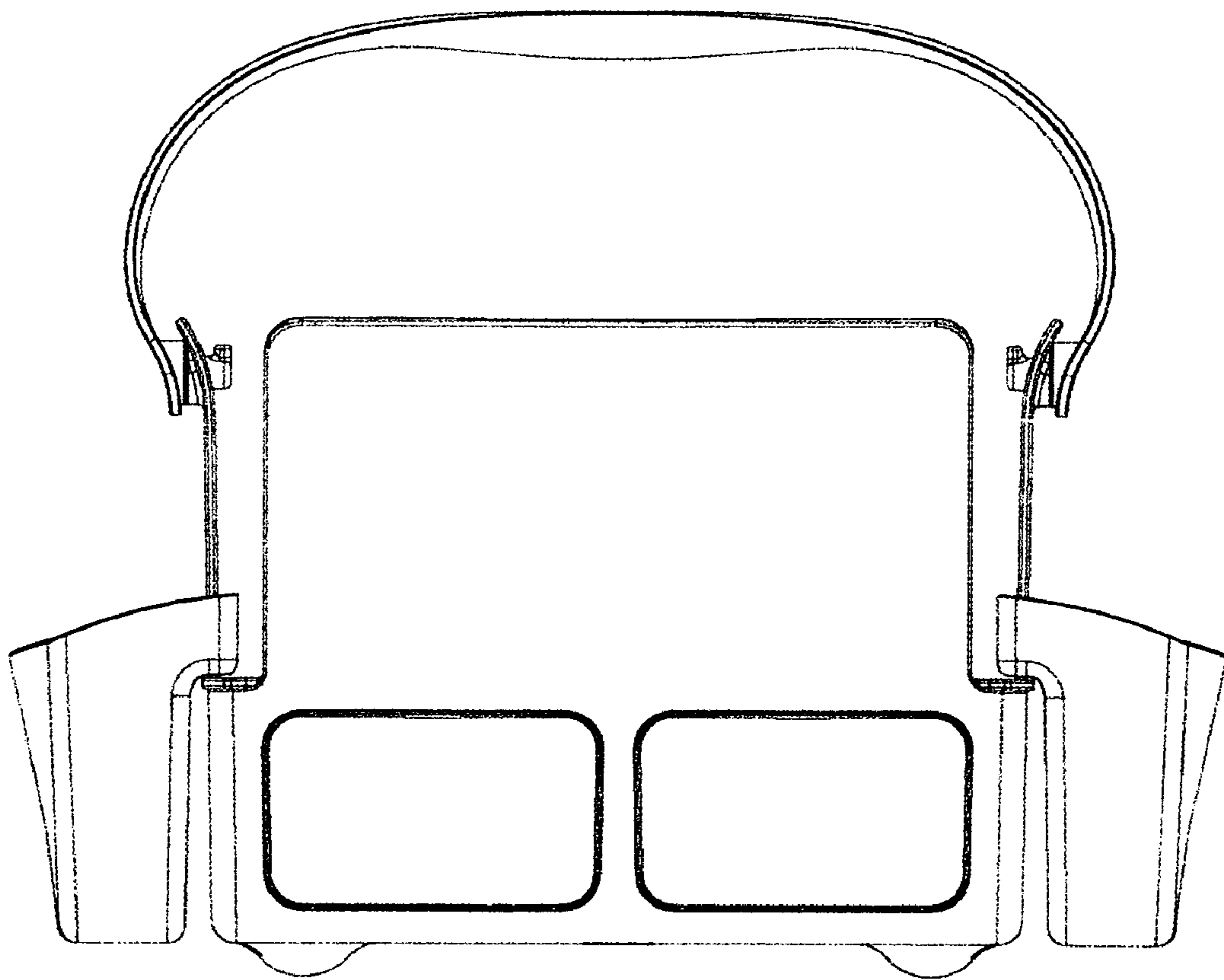


Figure 2

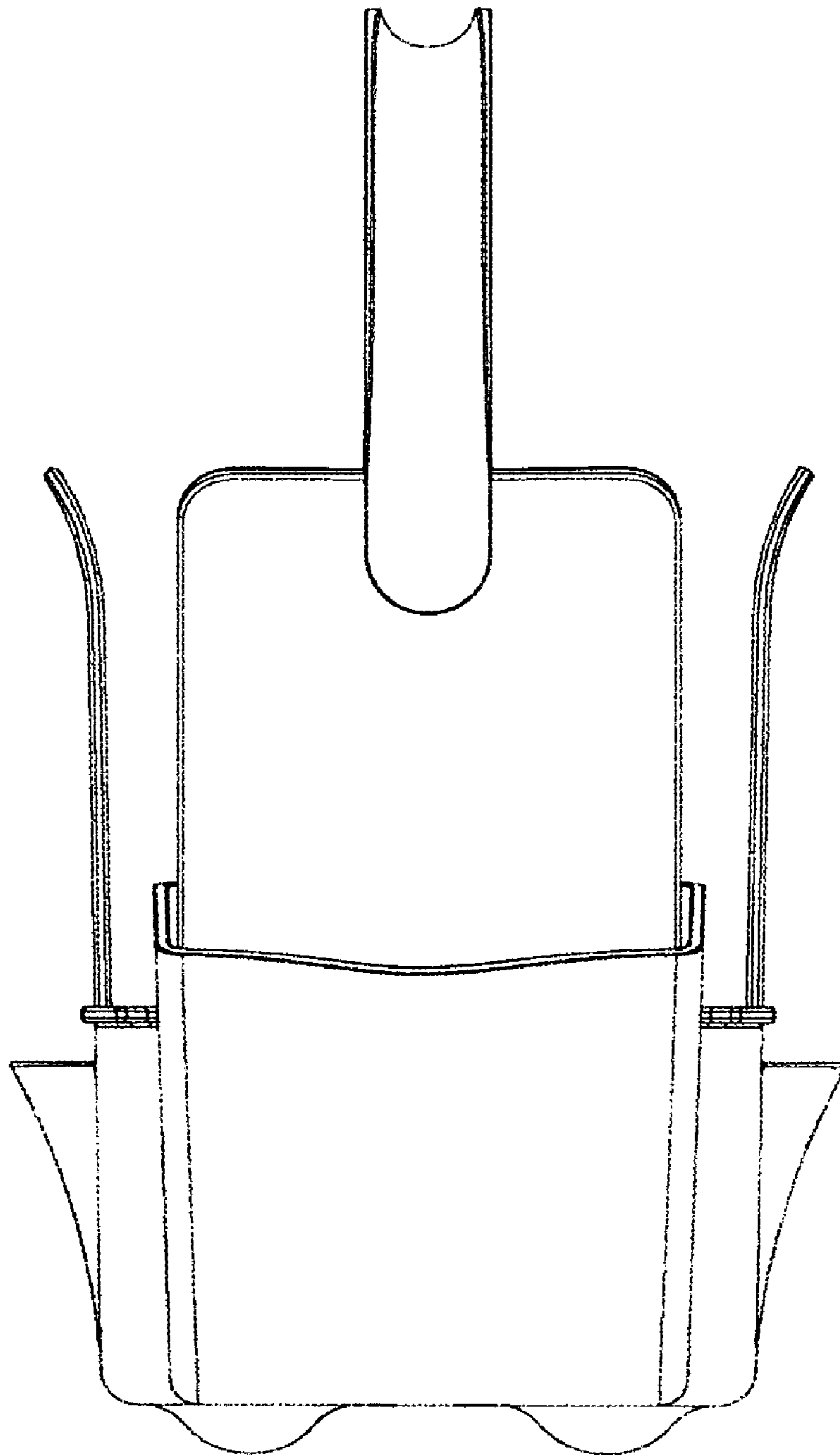


Figure 3

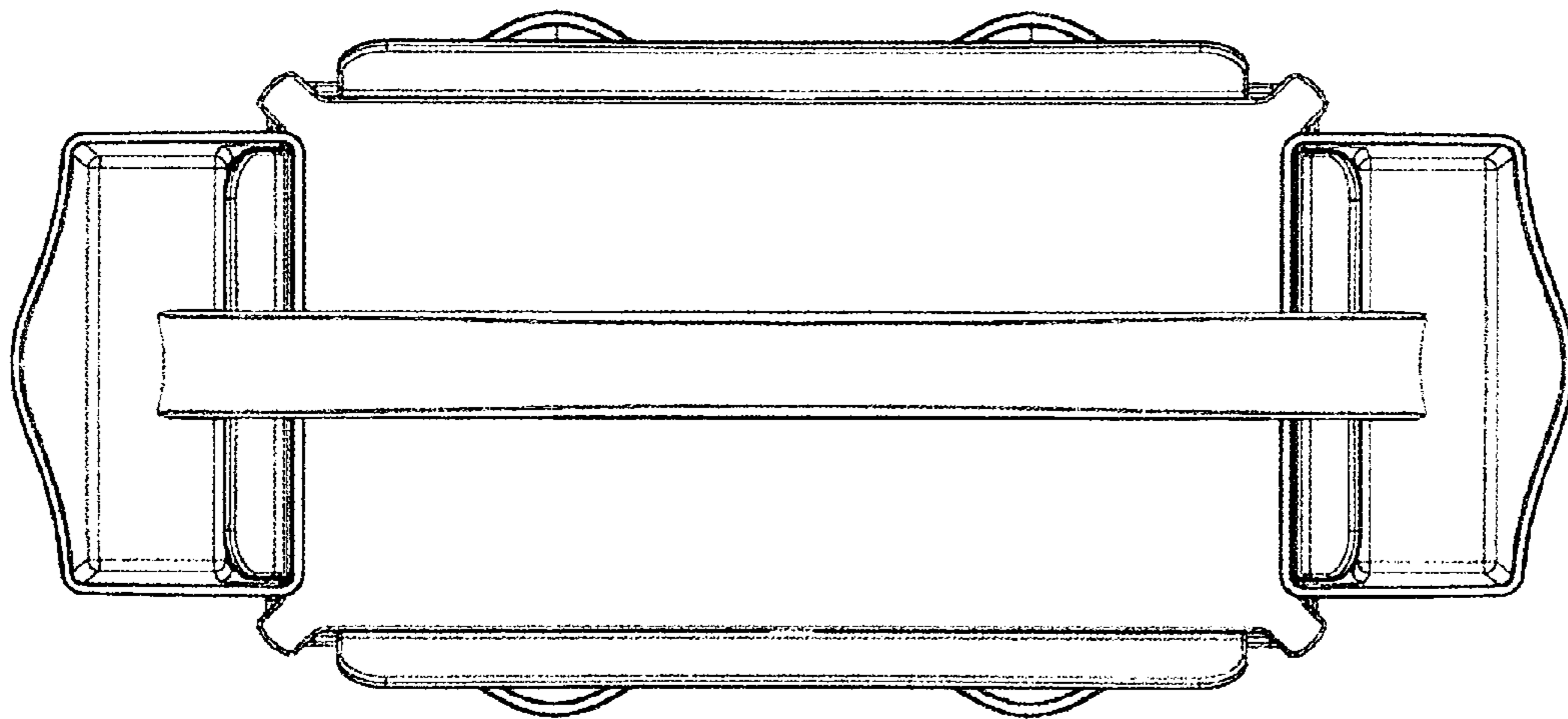


Figure 4

