



US00D573791S

(12) **United States Design Patent**  
**Metzger et al.**

(10) **Patent No.:** **US D573,791 S**

(45) **Date of Patent:** **\*\* Jul. 29, 2008**

(54) **BOARD CARRIER**

2004/0238585 A1\* 12/2004 Scarano ..... 224/613

(76) Inventors: **Paul Metzger**, 1209 N. Kings Rd., #8,  
West Hollywood, CA (US) 90069; **Jeff Metzger**, 1209 N. Kings Rd., #8, West  
Hollywood, CA (US) 90069

(\*\*) Term: **14 Years**

(21) Appl. No.: **29/261,024**

(22) Filed: **Jun. 5, 2006**

**Related U.S. Application Data**

(63) Continuation-in-part of application No. 29/214,552,  
filed on Oct. 4, 2004, now Pat. No. Des. 524,539.

(51) **LOC (8) Cl.** ..... **03-01**

(52) **U.S. Cl.** ..... **D3/261**

(58) **Field of Classification Search** ..... D3/221,  
D3/254, 261, 269, 287, 327, 904; 224/191,  
224/257, 264, 581, 587, 600, 613, 617, 644,  
224/651, 658, 664, 901.4, 901.6

See application file for complete search history.

(56) **References Cited**

**U.S. PATENT DOCUMENTS**

D258,703	S	*	3/1981	Ogle et al.	.....	D3/261
4,790,460	A	*	12/1988	Harper, Jr.	.....	224/644
5,092,506	A	*	3/1992	Bolduc	.....	224/658
5,344,056	A	*	9/1994	Challoner et al.	.....	224/581
5,492,254	A	*	2/1996	Challoner et al.	.....	224/586
D455,259	S	*	4/2002	Kelly-Pollet	.....	D3/221
D474,888	S	*	5/2003	Gillenwater	.....	D3/261
6,585,137	B1	*	7/2003	Archuleta	.....	224/617

**OTHER PUBLICATIONS**

OZEL Skateboard Packs at Curious Parents. Downloaded May 18,  
2007 at <http://www.curiousparents.com>....\*

SPORTS Skateboard Bag at PRIFA Sports Equipment. Downloaded  
May 18, 2007 at <http://www.prifa.com>....\*

Skateboard Bags (3 versions) at Yaki Leisure Co., Ltd. Downloaded  
May 18, 2007 at [http://allproducts.com/sports/yaki/12-skateboard\\_bagsyk1605.html](http://allproducts.com/sports/yaki/12-skateboard_bagsyk1605.html).\*

\* cited by examiner

*Primary Examiner*—Philip Hyder

*Assistant Examiner*—Roselyne Cody

(57) **CLAIM**

The ornamental design for a board carrier, as shown and  
described.

**DESCRIPTION**

FIG. 1 is an isometric view of a board carrier showing our new  
design;

FIG. 2 is a front view thereof;

FIG. 3 is a right side view thereof;

FIG. 4 is a bottom plan view thereof;

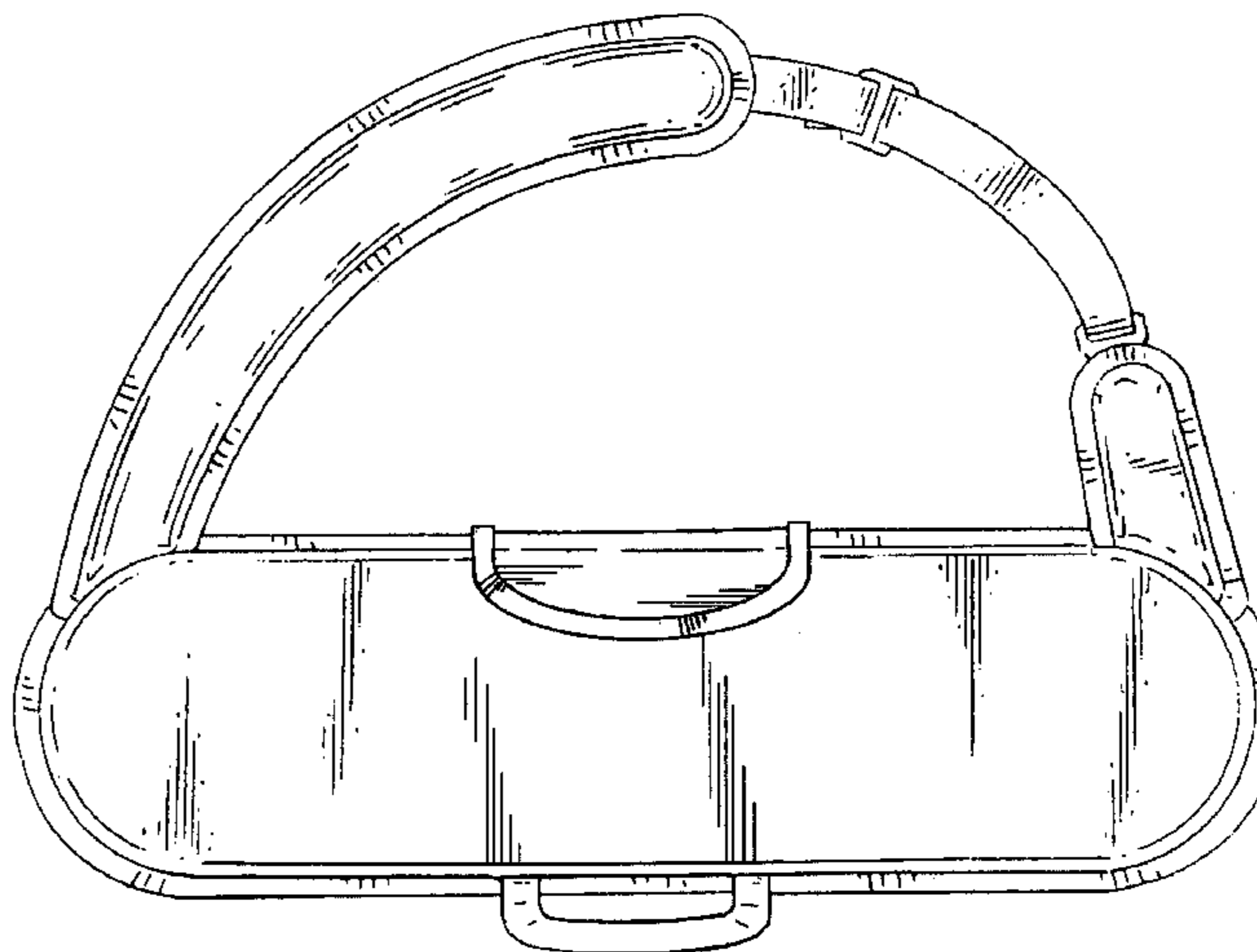
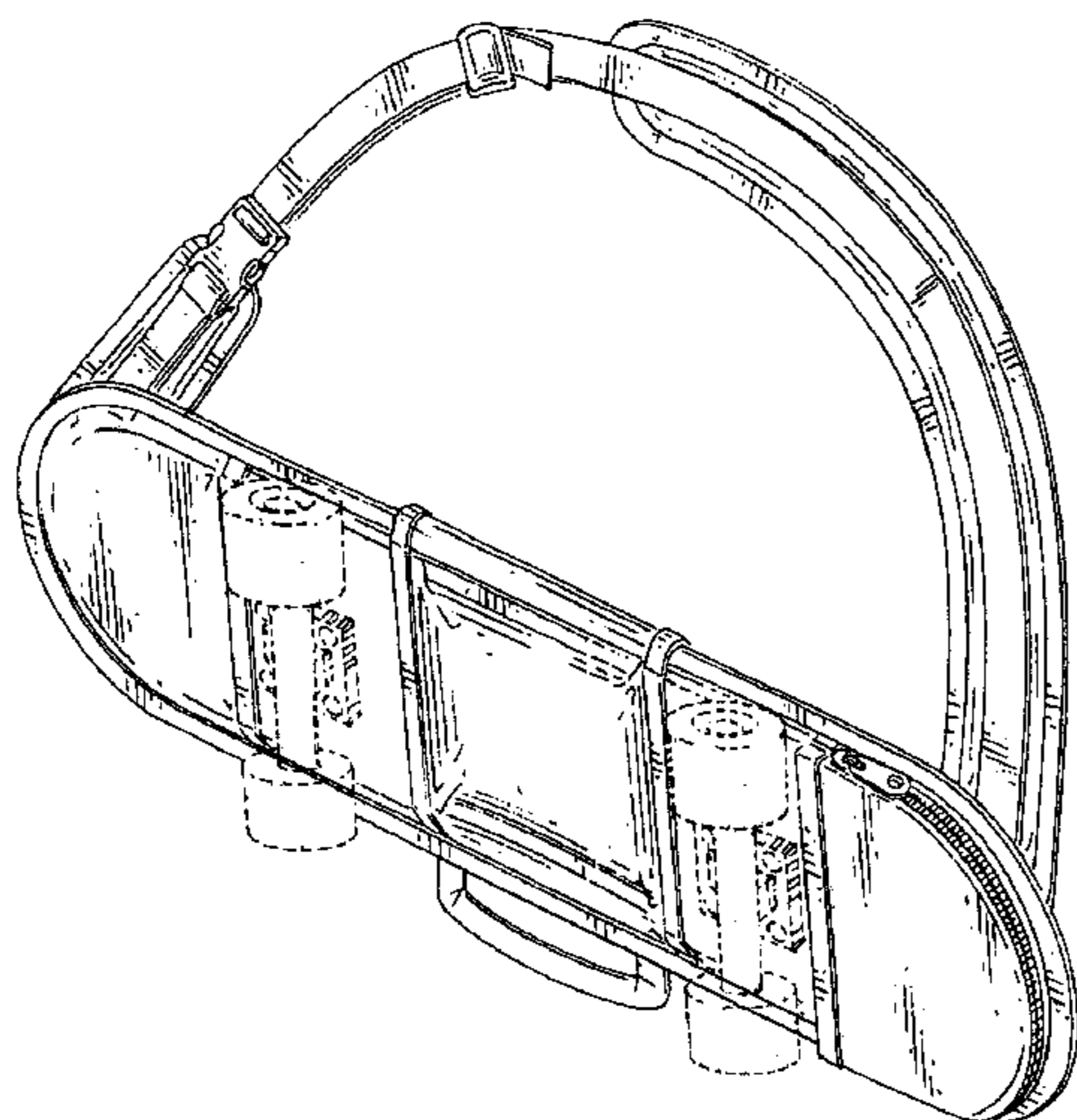
FIG. 5 is a rear view thereof;

FIG. 6 is a left side view thereof; and,

FIG. 7 is a top plan view thereof.

The broken line showing of environmental structure in FIG. 1  
is for illustrative purposes only and forms no part of the  
claimed design.

**1 Claim, 3 Drawing Sheets**



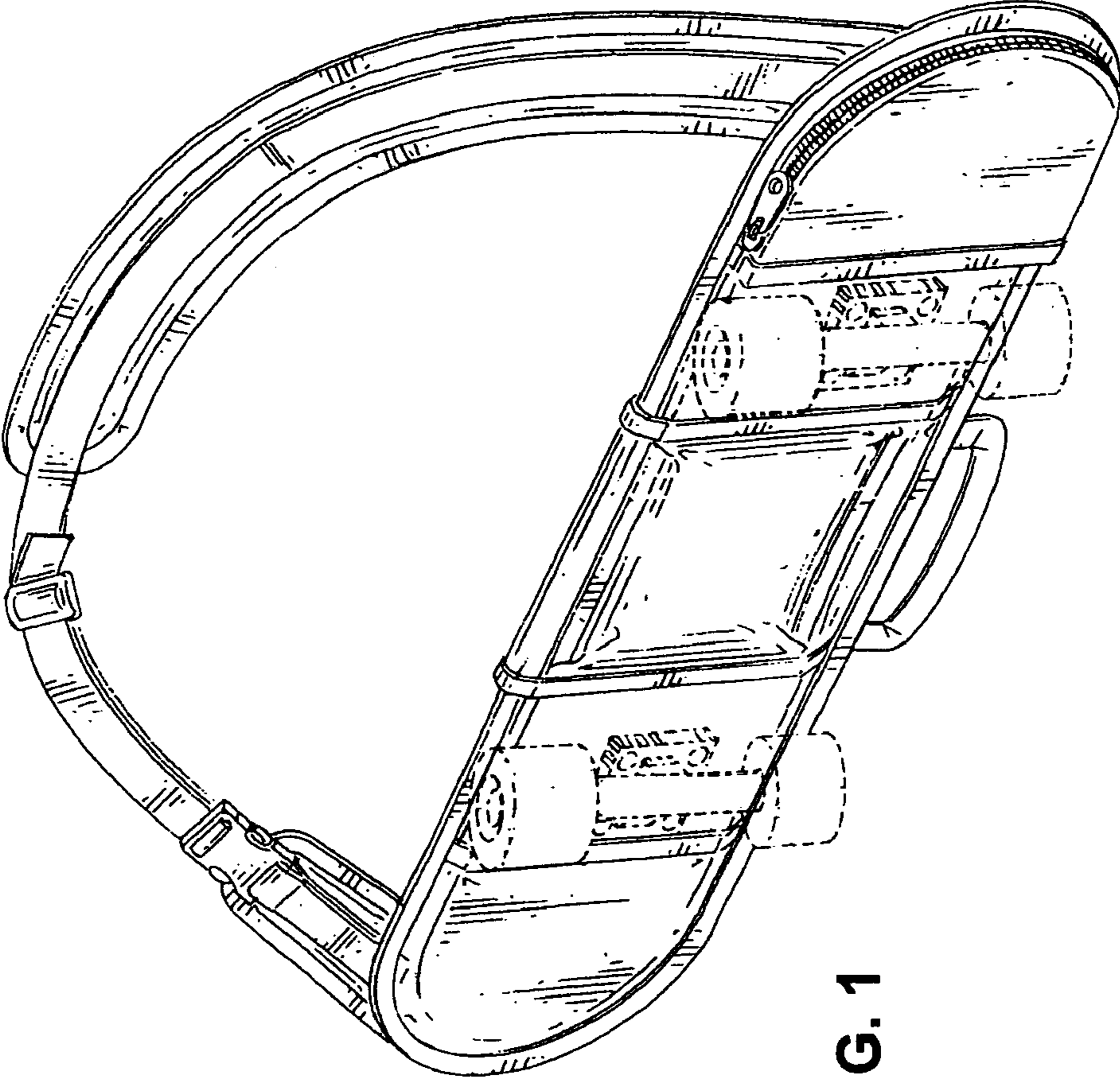


FIG. 1

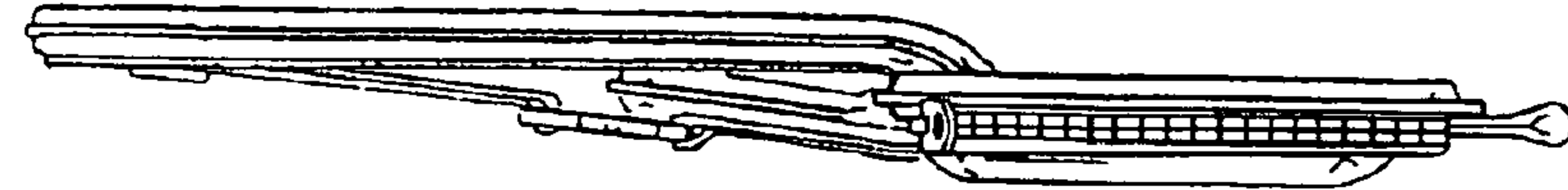


FIG. 3

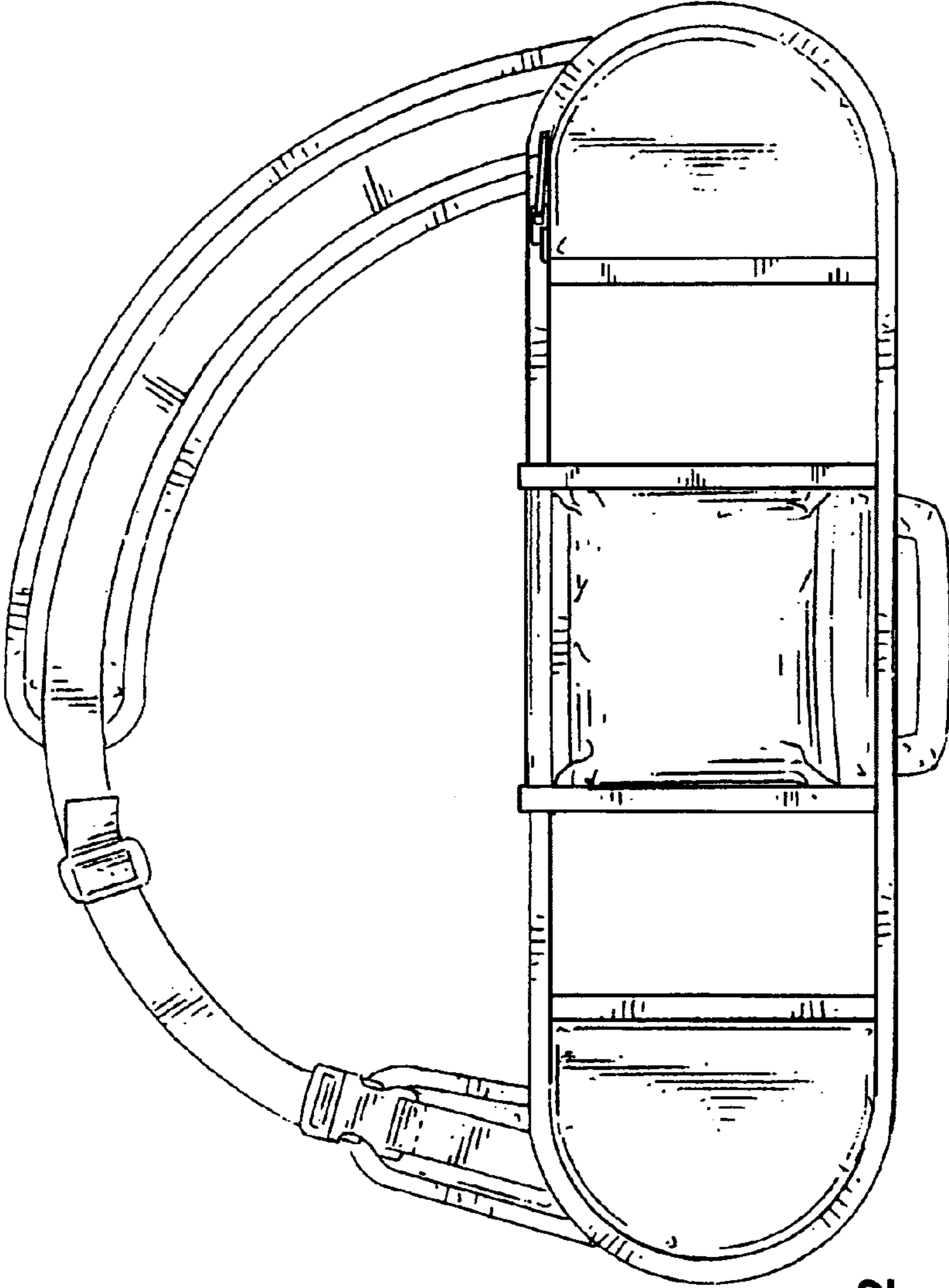


FIG. 2

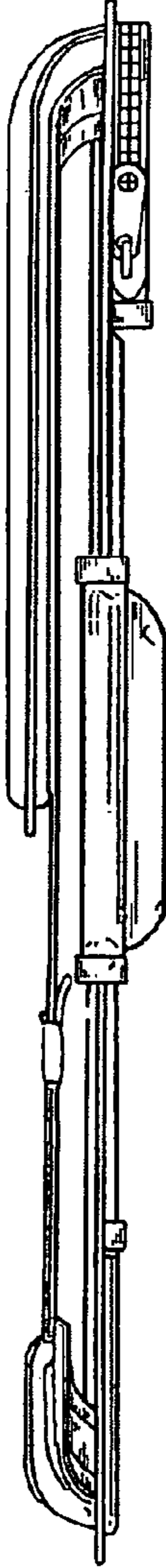


FIG. 4

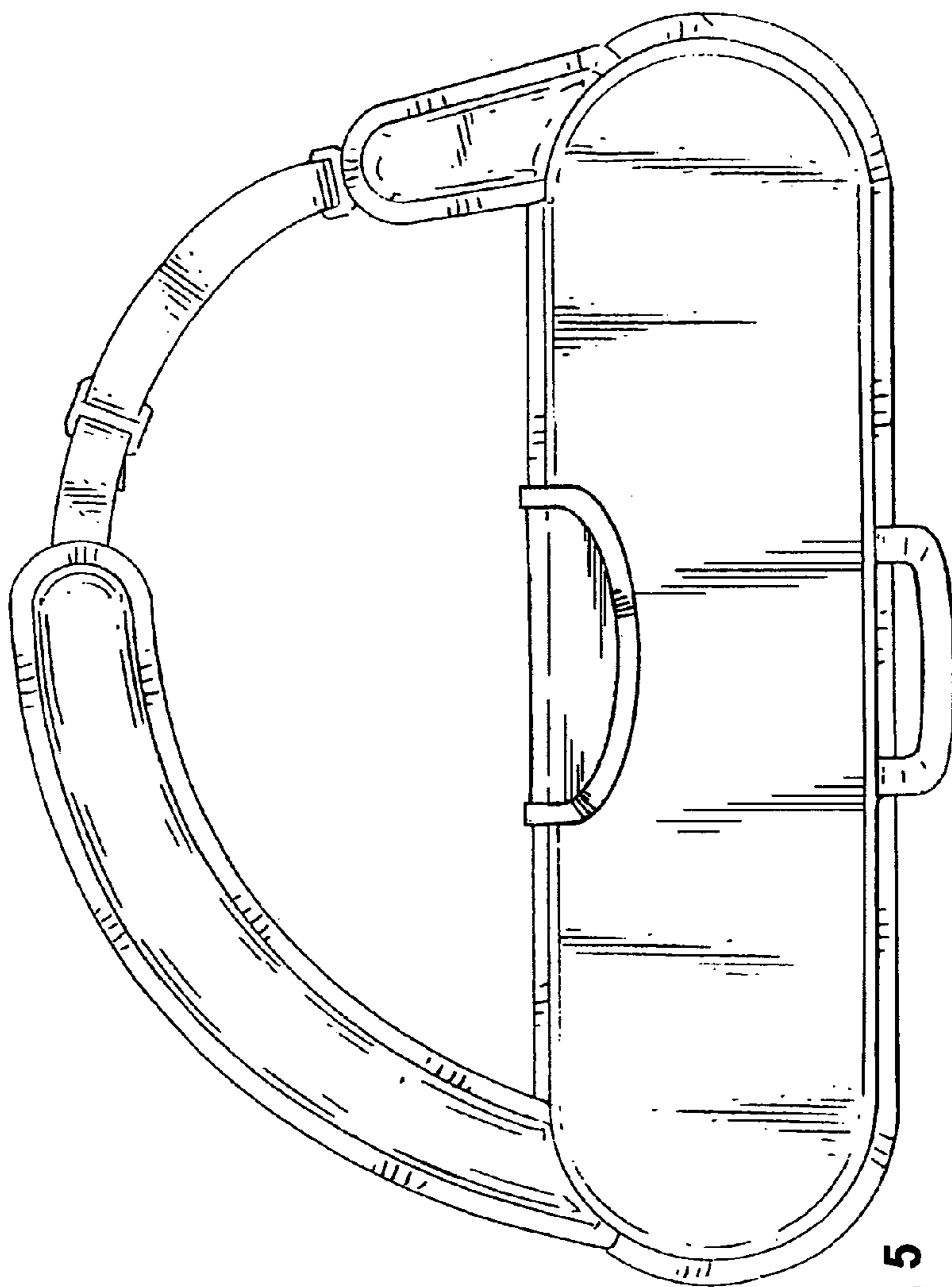


FIG. 5

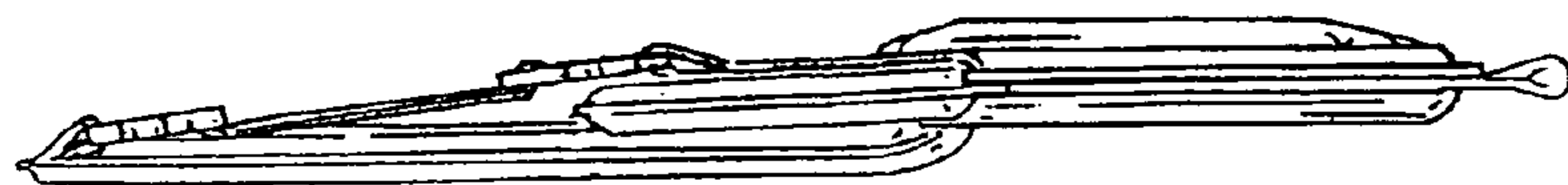


FIG. 6



FIG. 7