



US00D573787S

(12) **United States Design Patent**
Sweet

(10) **Patent No.:** **US D573,787 S**
(45) **Date of Patent:** **** Jul. 29, 2008**

(54) **RIBBON HOLDER**

(76) Inventor: **Deanna Sweet**, 33 Bates Ave., North
Kingstown, RI (US) 02852

(**) Term: **14 Years**

(21) Appl. No.: **29/257,781**

(22) Filed: **Apr. 11, 2006**

(51) **LOC (8) Cl.** **02-07**

(52) **U.S. Cl.** **D3/23**

(58) **Field of Classification Search** D3/18-29;
D11/143, 146-148; D6/457, 480; 223/106,
223/108, 120; 211/85.5

See application file for complete search history.

(56) **References Cited**

U.S. PATENT DOCUMENTS

D297,595 S *	9/1988	Sawai	D3/20
D317,884 S *	7/1991	Spicer	D11/147
D354,869 S *	1/1995	Salyer	D6/457
D403,532 S *	1/1999	Moser	D6/457
D505,256 S *	5/2005	Nepp	D3/25

* cited by examiner

Primary Examiner—Louis S Zarfaz

Assistant Examiner—Anhdao Doan

(74) *Attorney, Agent, or Firm*—Salter & Michaelson

(57) **CLAIM**

The ornamental design for a ribbon holder, as shown and described.

DESCRIPTION

FIG. 1 is a top perspective view of a ribbon holder showing my new design;

FIG. 2 is a bottom perspective view thereof;

FIG. 3 is a top plan view thereof;

FIG. 4 is a bottom plan view thereof;

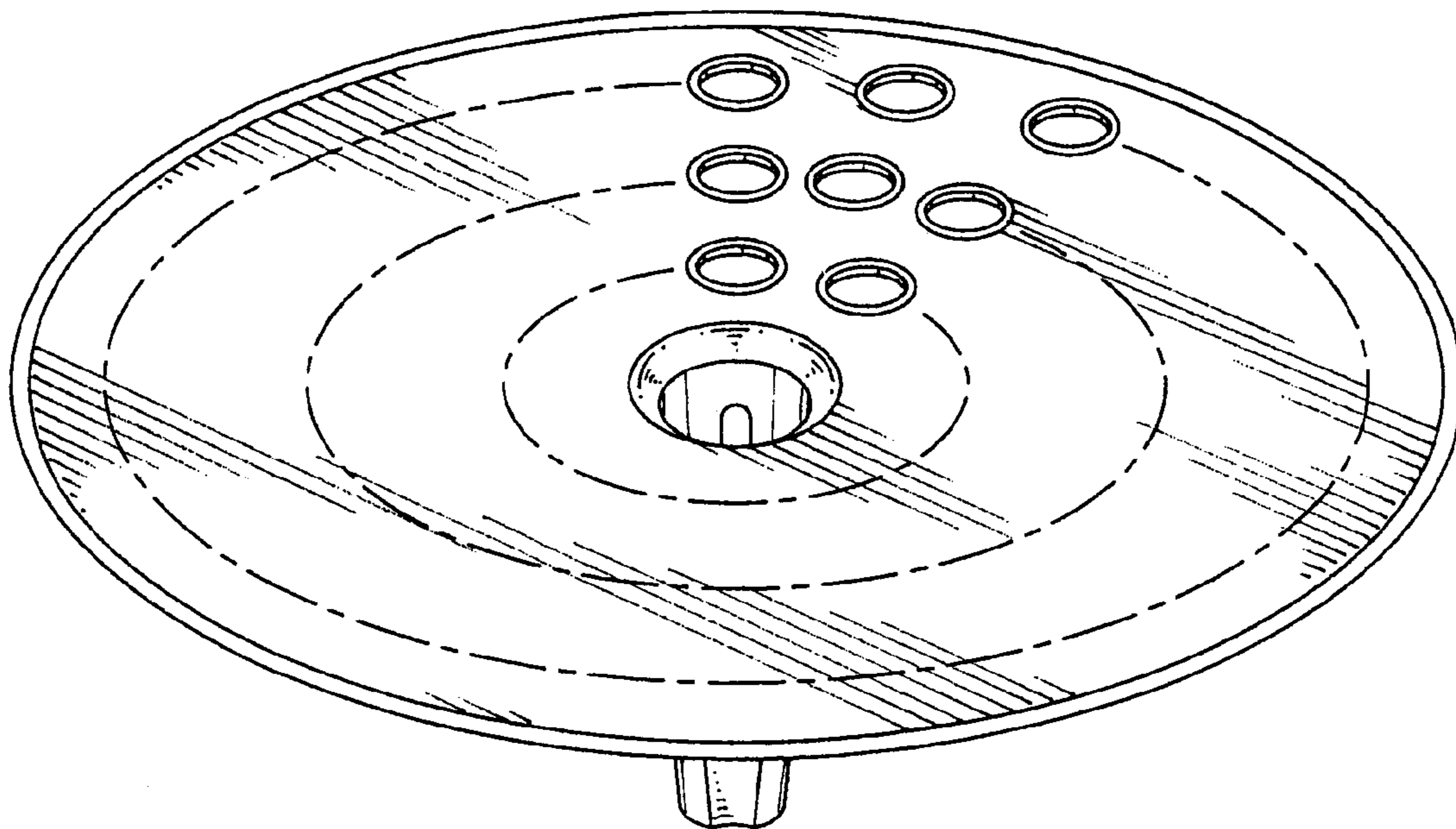
FIG. 5 is a side elevation view thereof, the opposite side being a mirror image; and,

FIG. 6 is a top perspective view thereof, showing the ribbon holder in used condition.

The broken line showing of the ribbon in FIG. 6 depicts environment subject matter and forms no part of the claimed design.

It is understood that the apertures in FIGS. 1-4 and 6 are being continuous along the path indicated by the dot-dash lines.

1 Claim, 6 Drawing Sheets



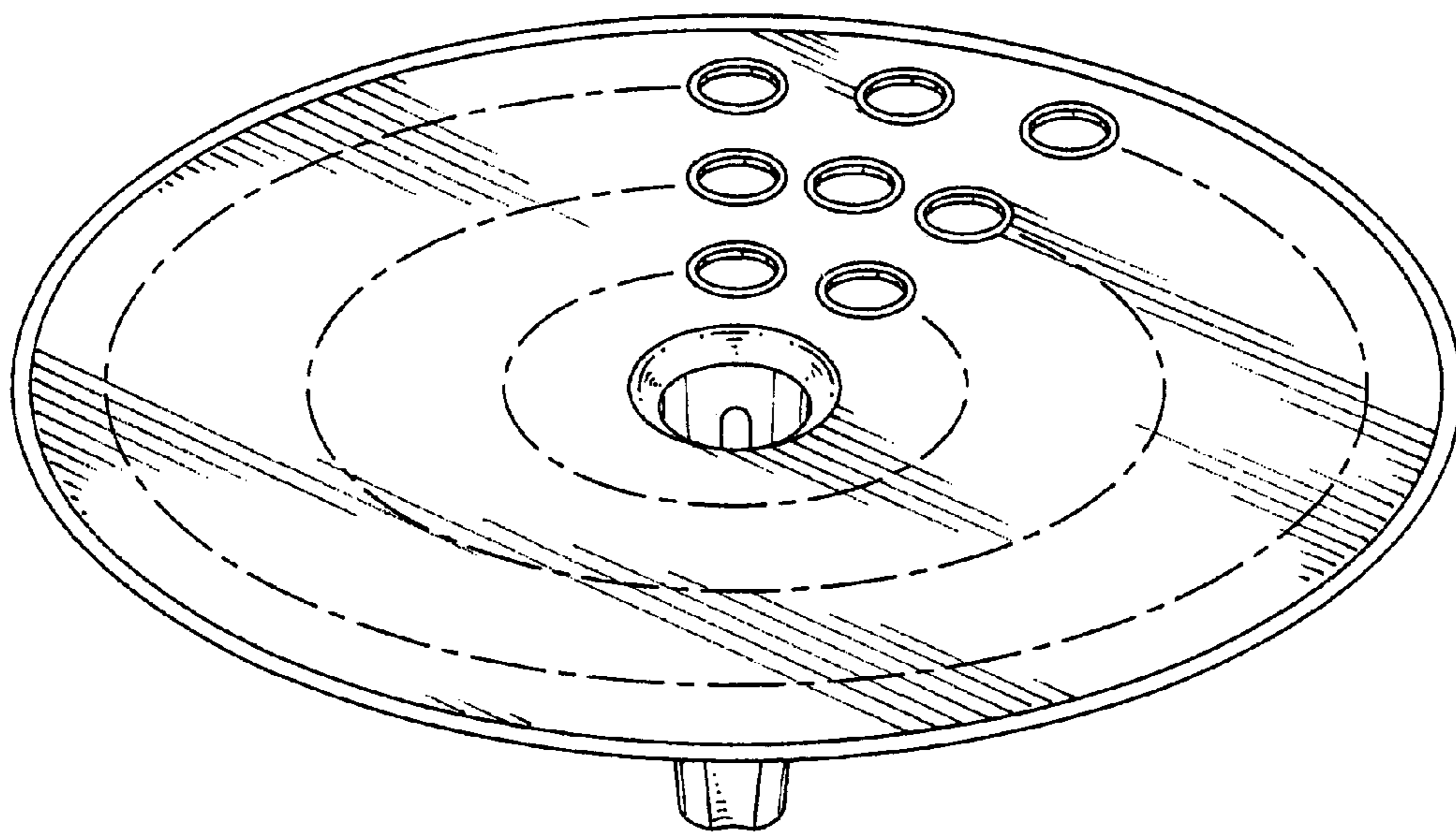


FIG. 1

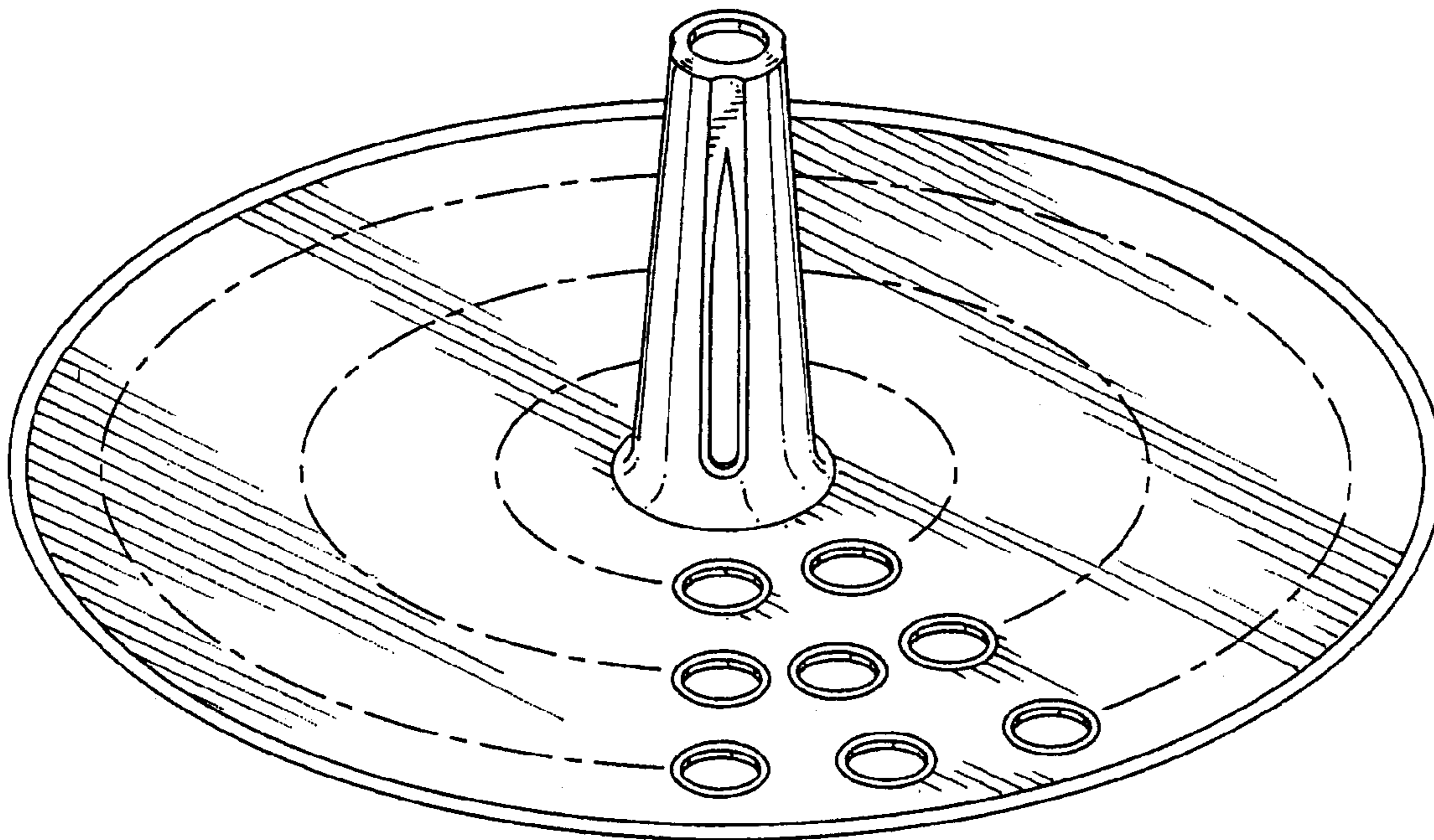


FIG. 2

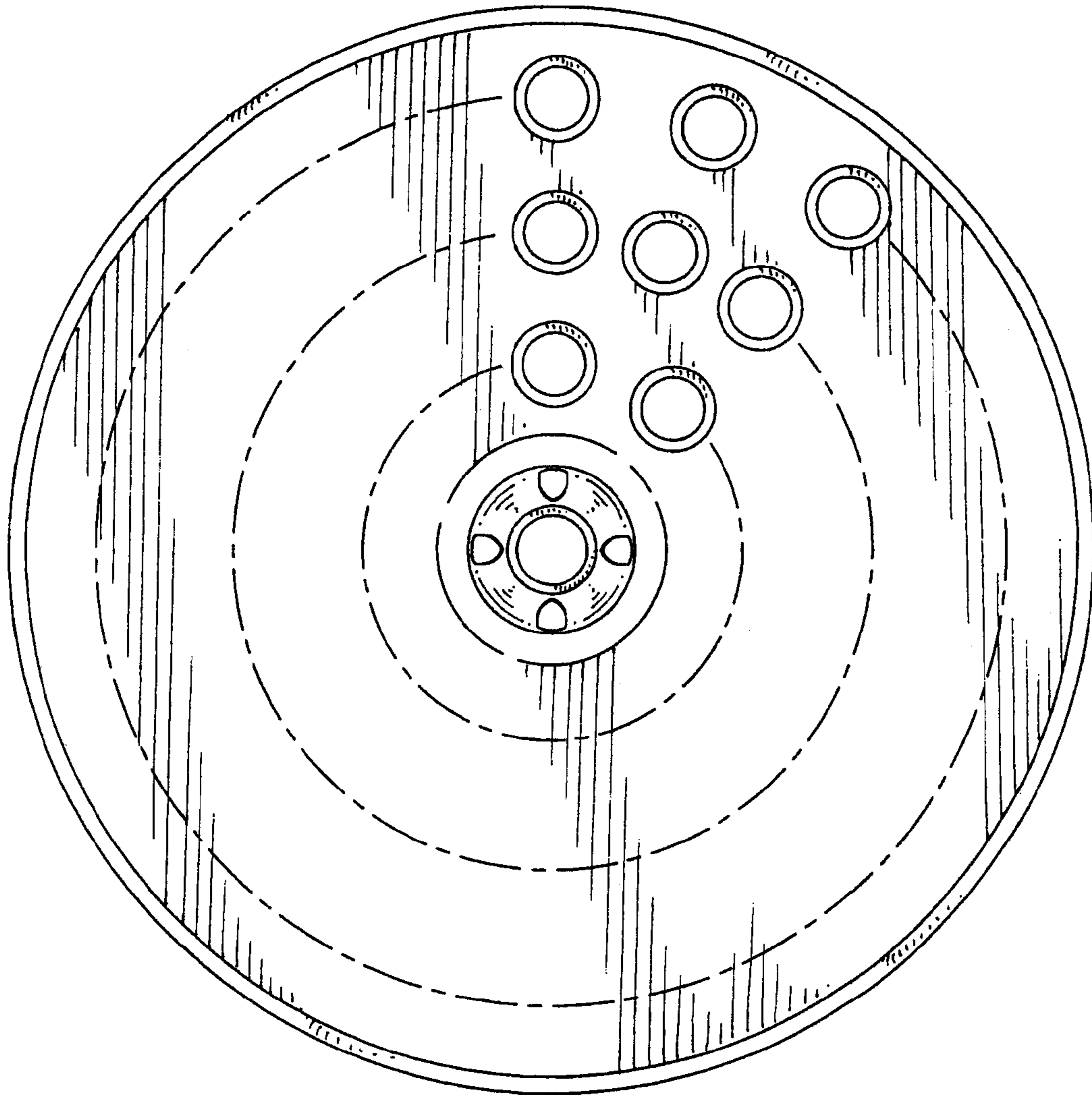


FIG. 3

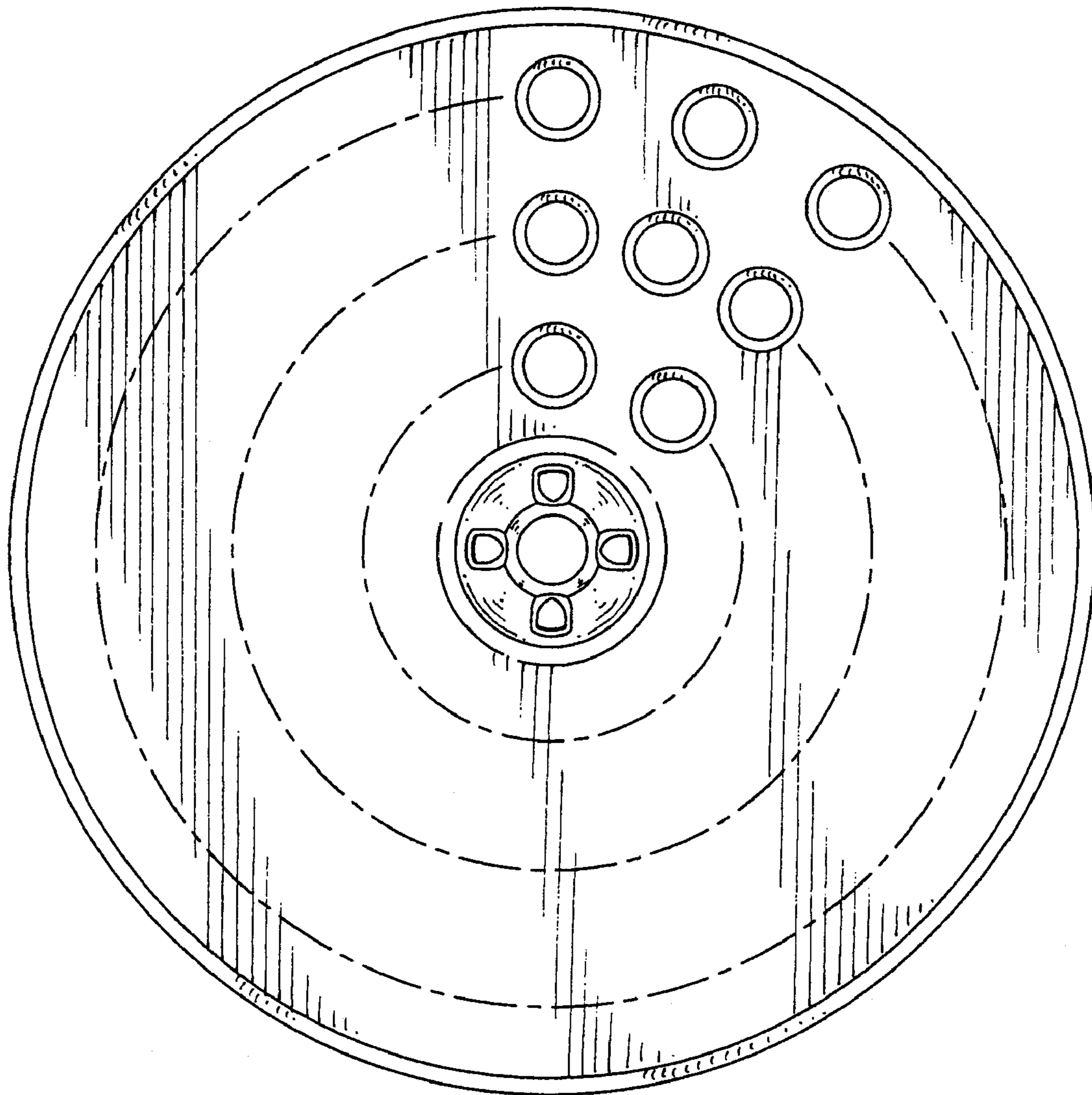


FIG. 4

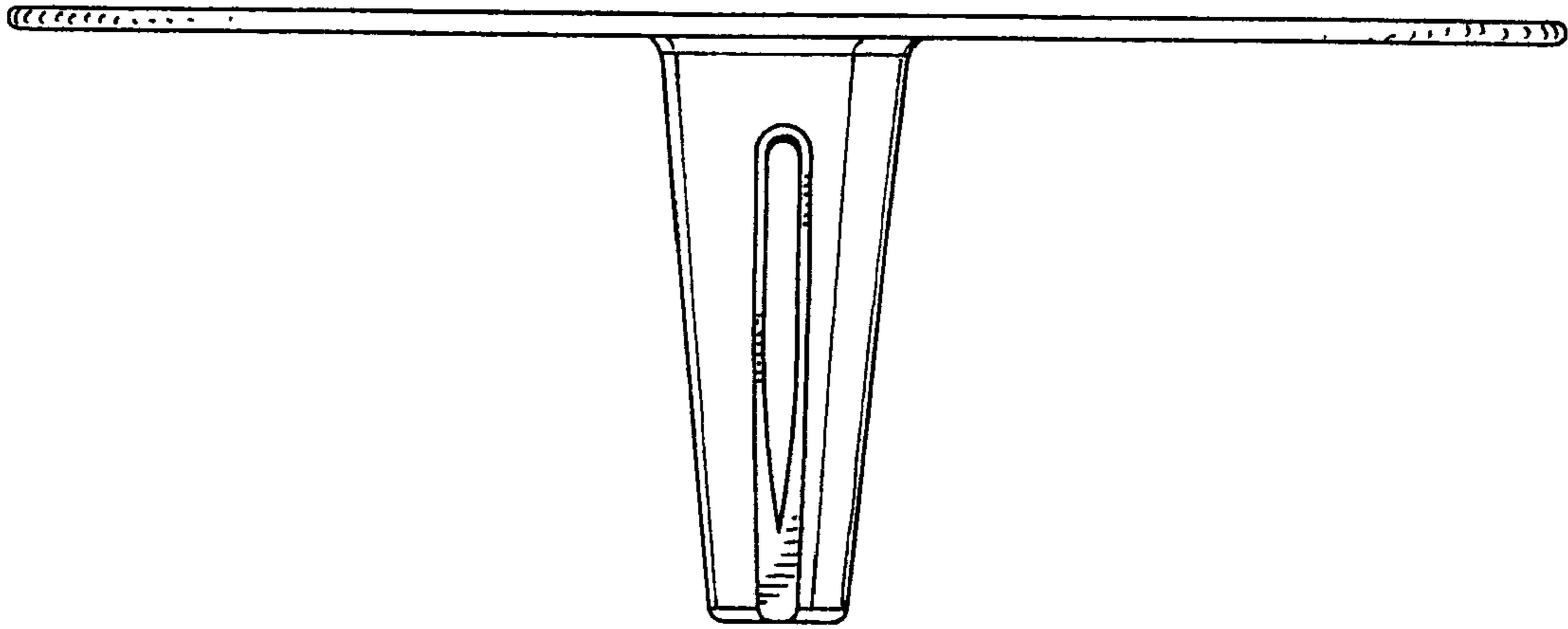


FIG. 5

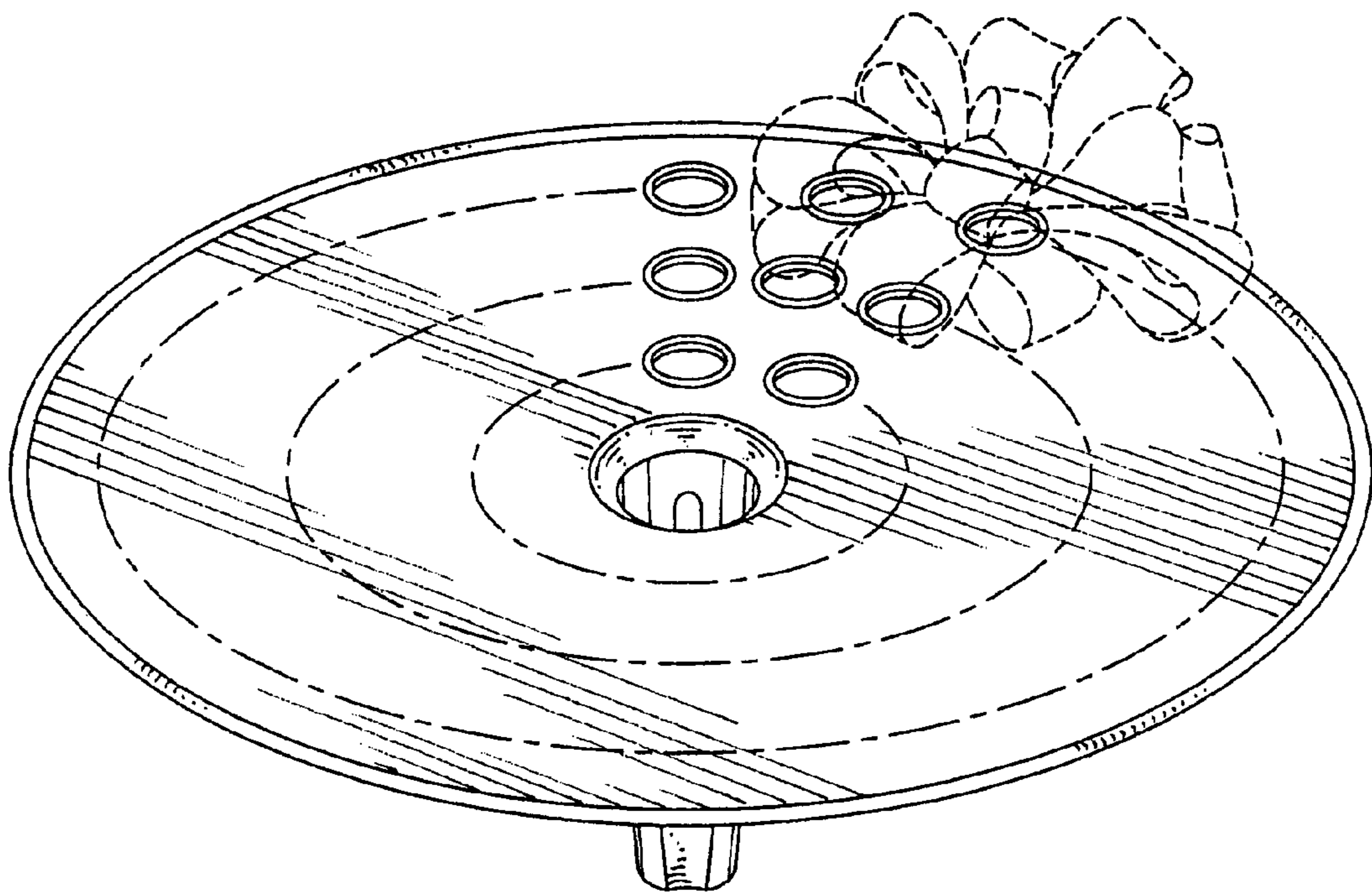


FIG. 6