



US00D573775S

(12) **United States Design Patent**
Burns et al.

(10) **Patent No.:** **US D573,775 S**
(45) **Date of Patent:** **** Jul. 22, 2008**

(54) **CORDLESS PULLING TOOL**

(75) Inventors: **David Burns**, West Linn, OR (US); **Eric J. Webb**, Vancouver, WA (US); **Brent Nasset**, Salem, OR (US); **Walter S. Salmon**, Clackamas, OR (US); **Ty Hargroder**, Portland, OR (US)

(73) Assignee: **Warn Industries, Inc.**, Milwaukie, OR (US)

(**) Term: **14 Years**

(21) Appl. No.: **29/250,772**

(22) Filed: **Nov. 30, 2006**

(51) **LOC (8) Cl.** **12-05**

(52) **U.S. Cl.** **D34/33**

(58) **Field of Classification Search** D34/33,
D34/28; 254/264, 265, 266, 362, 323
See application file for complete search history.

(56) **References Cited**

U.S. PATENT DOCUMENTS

3,929,555	A	12/1975	Sanders	
D238,861	S *	2/1976	Cavalleri	D34/28
4,884,784	A	12/1989	Nix et al.	
5,195,726	A	3/1993	Kaner	
5,386,970	A	2/1995	Trant	
D364,027	S *	11/1995	Hung	D34/33
5,607,143	A	3/1997	Regal	
5,738,340	A	4/1998	Brantner	
5,863,028	A	1/1999	Dunsmore	
5,909,783	A	6/1999	Berish	
5,996,971	A	12/1999	Crouse et al.	
6,179,270	B1	1/2001	Higdon	

D438,358	S *	2/2001	Huang	D34/33
D439,722	S *	3/2001	Huang	D34/33
6,218,746	B1	4/2001	Gouge, Jr.	
6,286,786	B1	9/2001	Le Gette et al.	
6,309,168	B1	10/2001	Holmes	
6,435,768	B1	8/2002	Mansfield	
D473,992	S *	4/2003	Hodge	D34/33
6,637,610	B1	10/2003	Cheeseboro	
D489,157	S *	4/2004	Lawson	D34/33
D524,508	S *	7/2006	Lichtenvort	D34/33
D556,420	S *	11/2007	Trihey et al.	D34/33
2001/0040233	A1	11/2001	Chamberlain	
2004/0194361	A1	10/2004	Furlan et al.	

* cited by examiner

Primary Examiner—Cynthia E Ramirez

(74) *Attorney, Agent, or Firm*—Harness, Dickey & Pierce, P.L.C.

(57) **CLAIM**

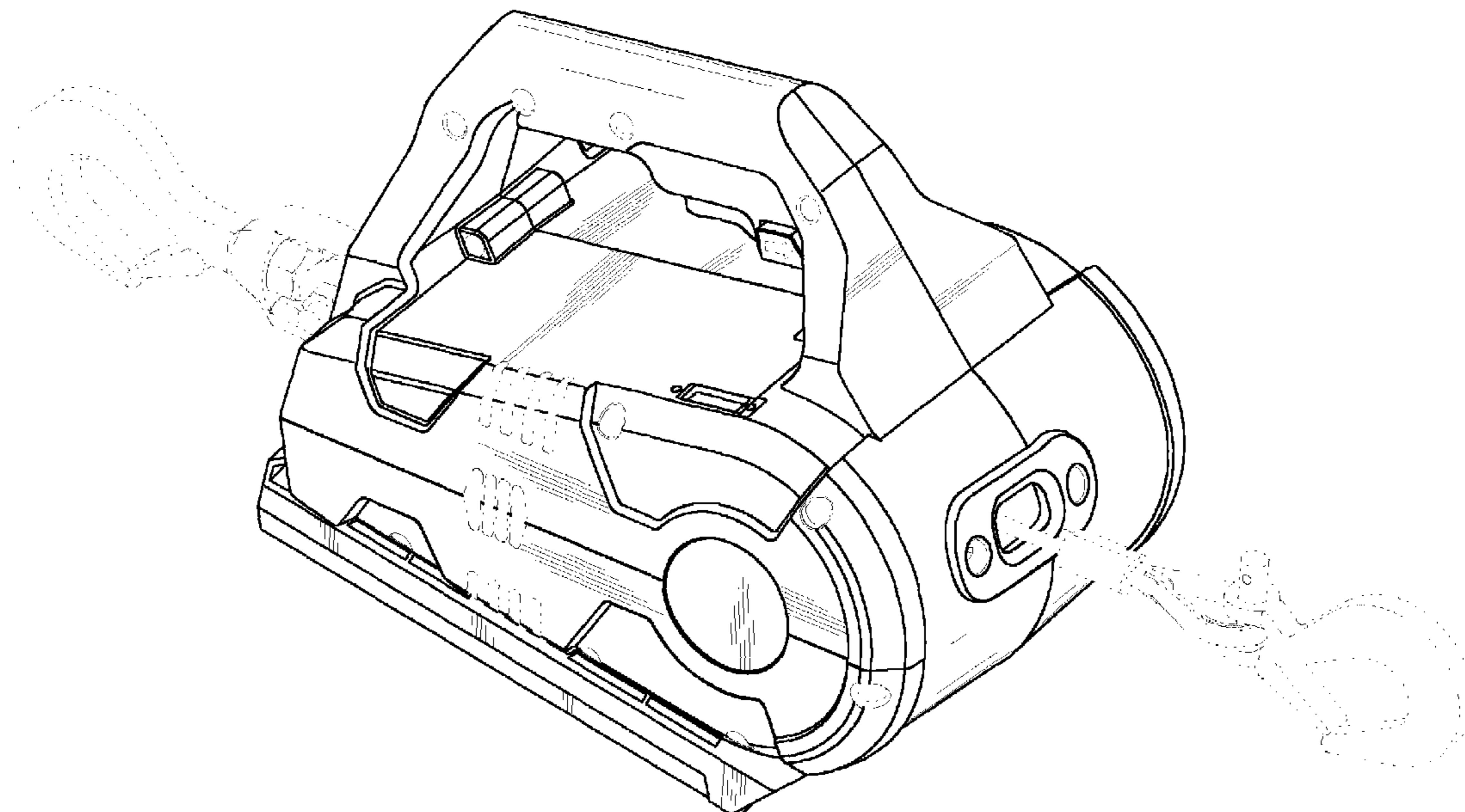
The ornamental design for a cordless pulling tool, as shown and described.

DESCRIPTION

FIG. 1 is a front perspective view of a cordless pulling tool; FIG. 2 is a front view thereof; FIG. 3 is a right side view thereof; FIG. 4 is a left side view thereof; FIG. 5 is a top view thereof; FIG. 6 is a bottom view thereof; and, FIG. 7 is a back view thereof.

The phantom lines in FIGS. 1 through 7 are for illustrative purposes only and do not form part of the claimed design.

1 Claim, 7 Drawing Sheets



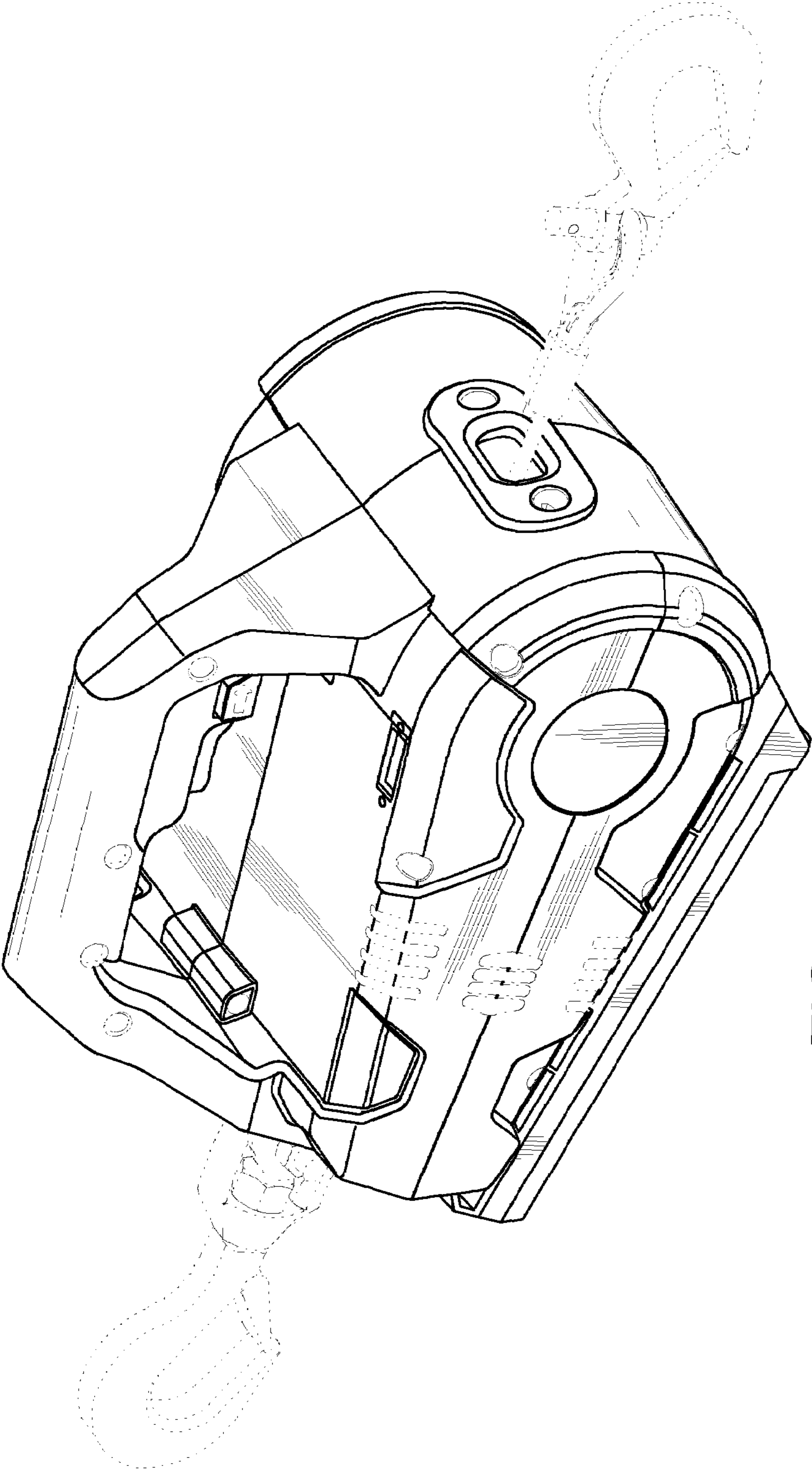


FIG 1

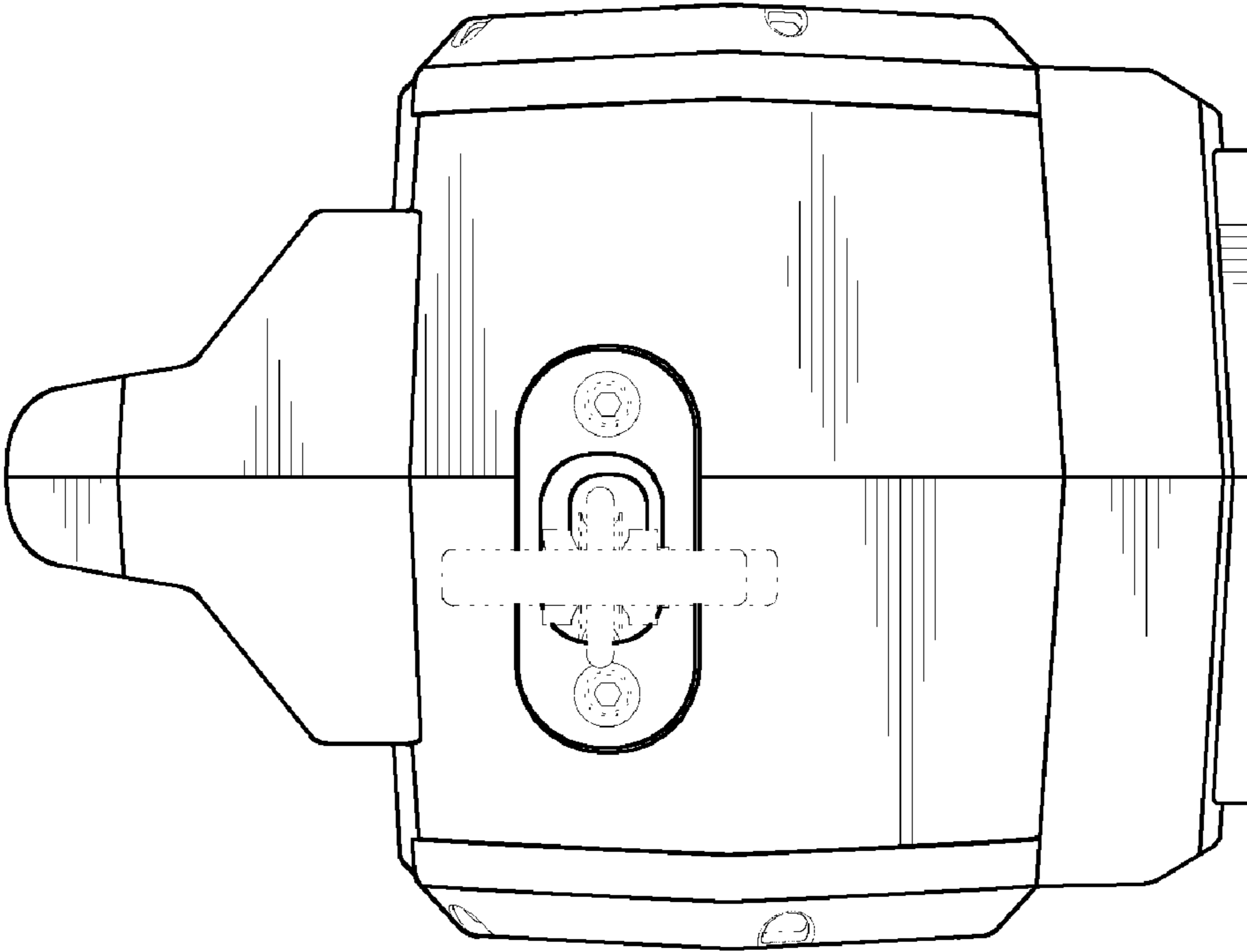


FIG 2

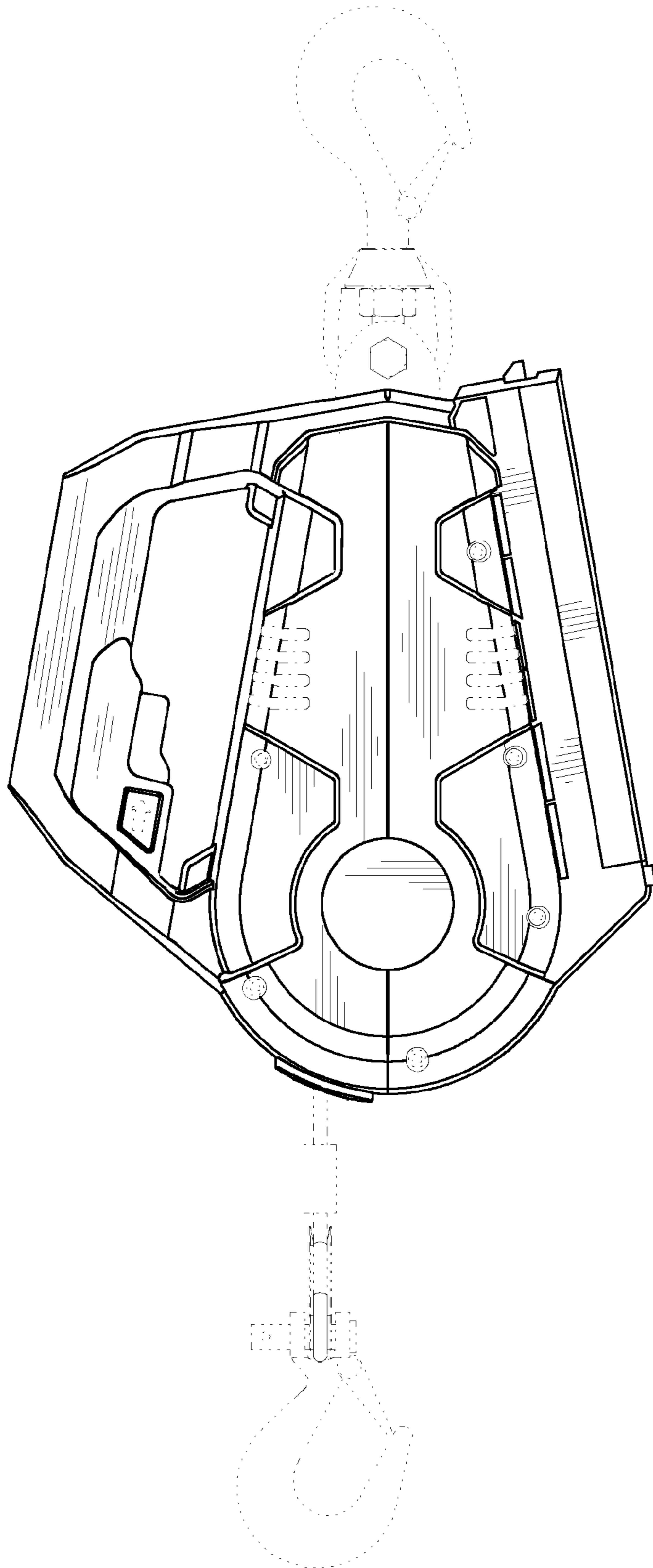


FIG 3

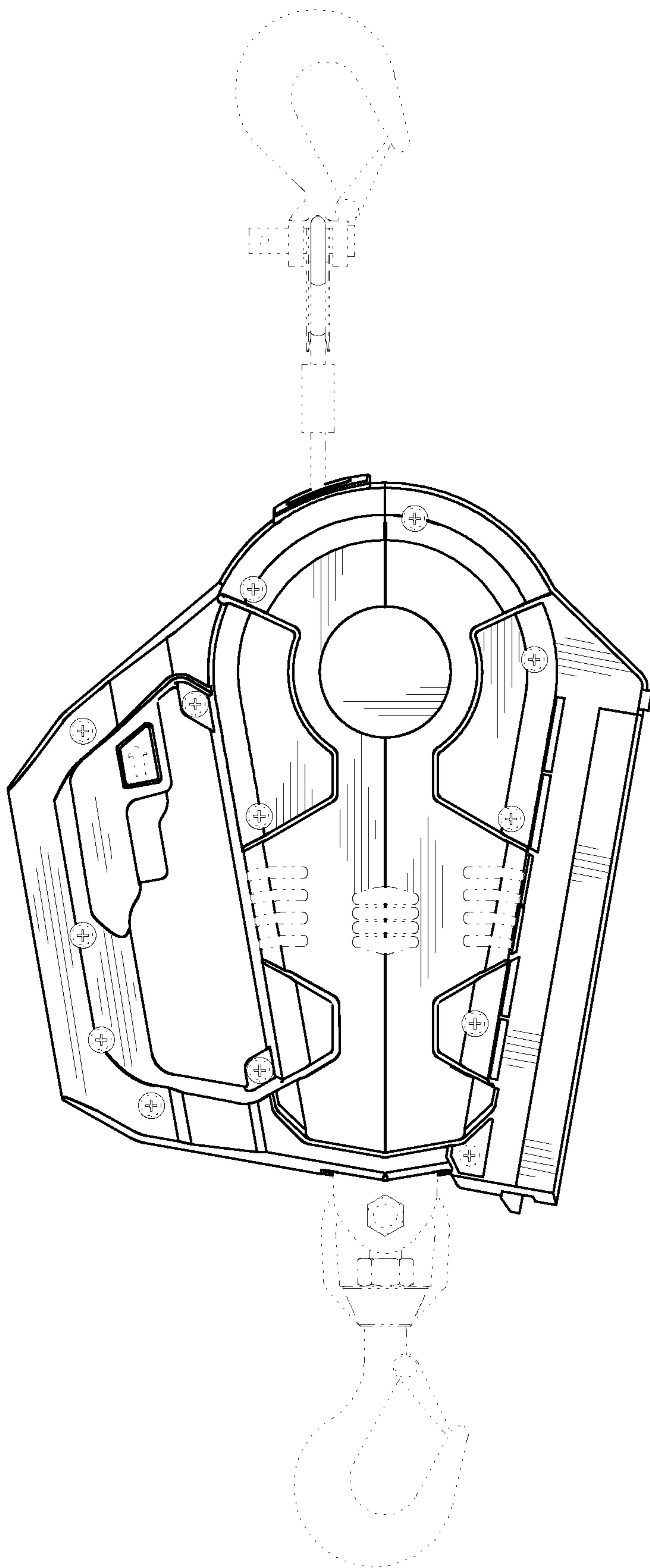


FIG 4

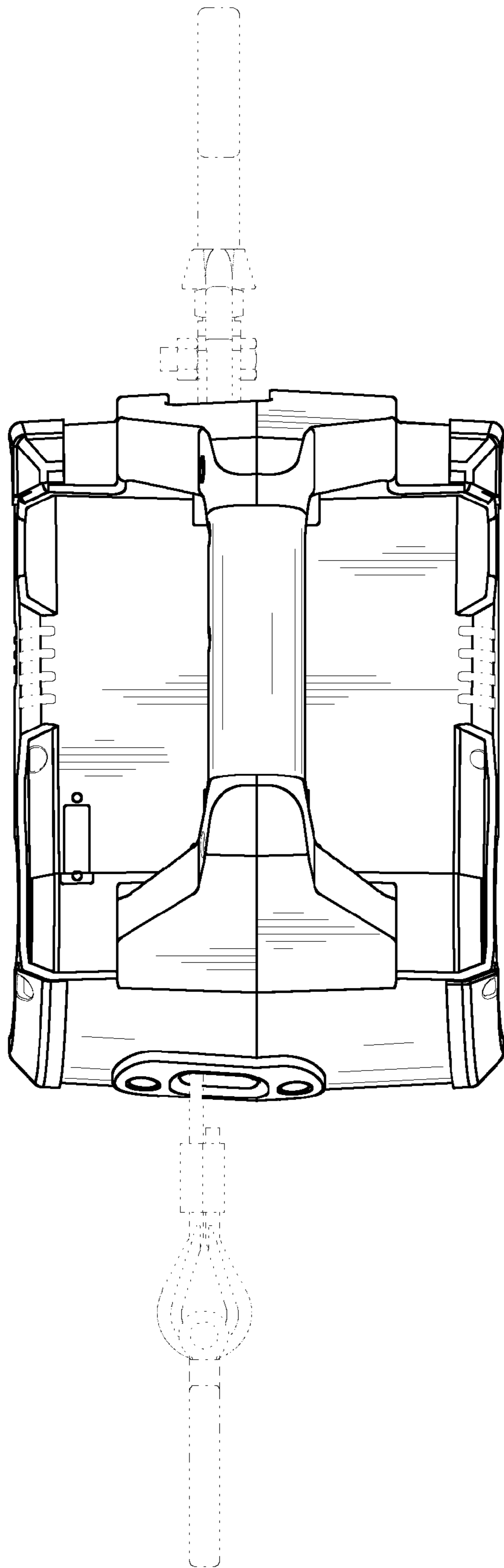


FIG 5

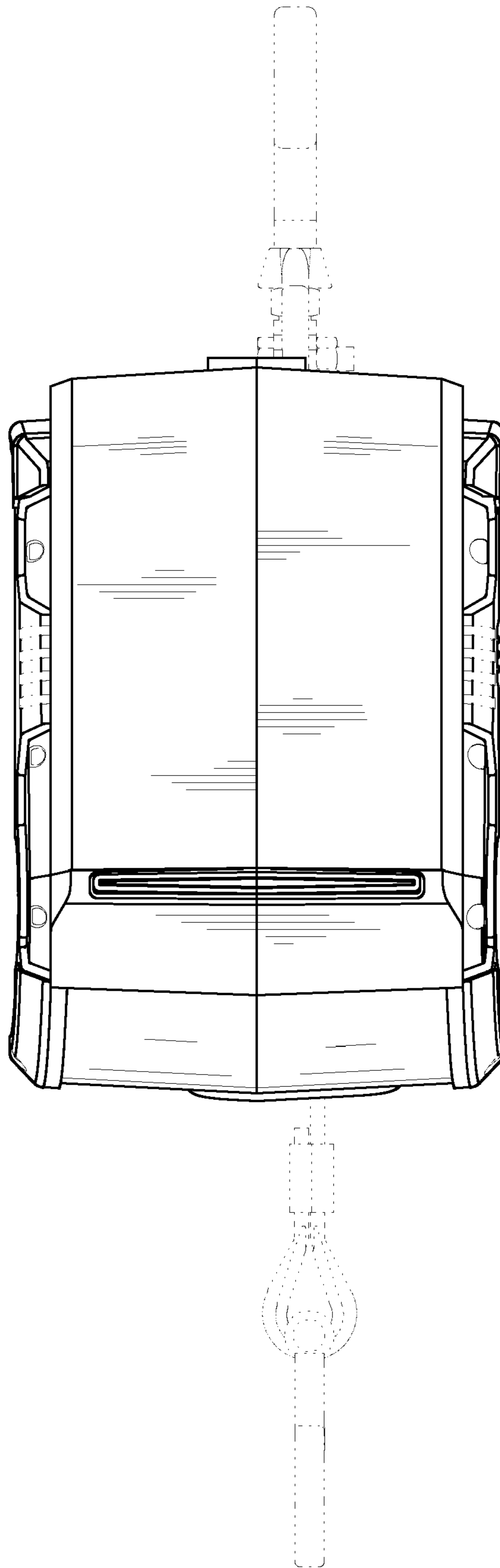


FIG 6

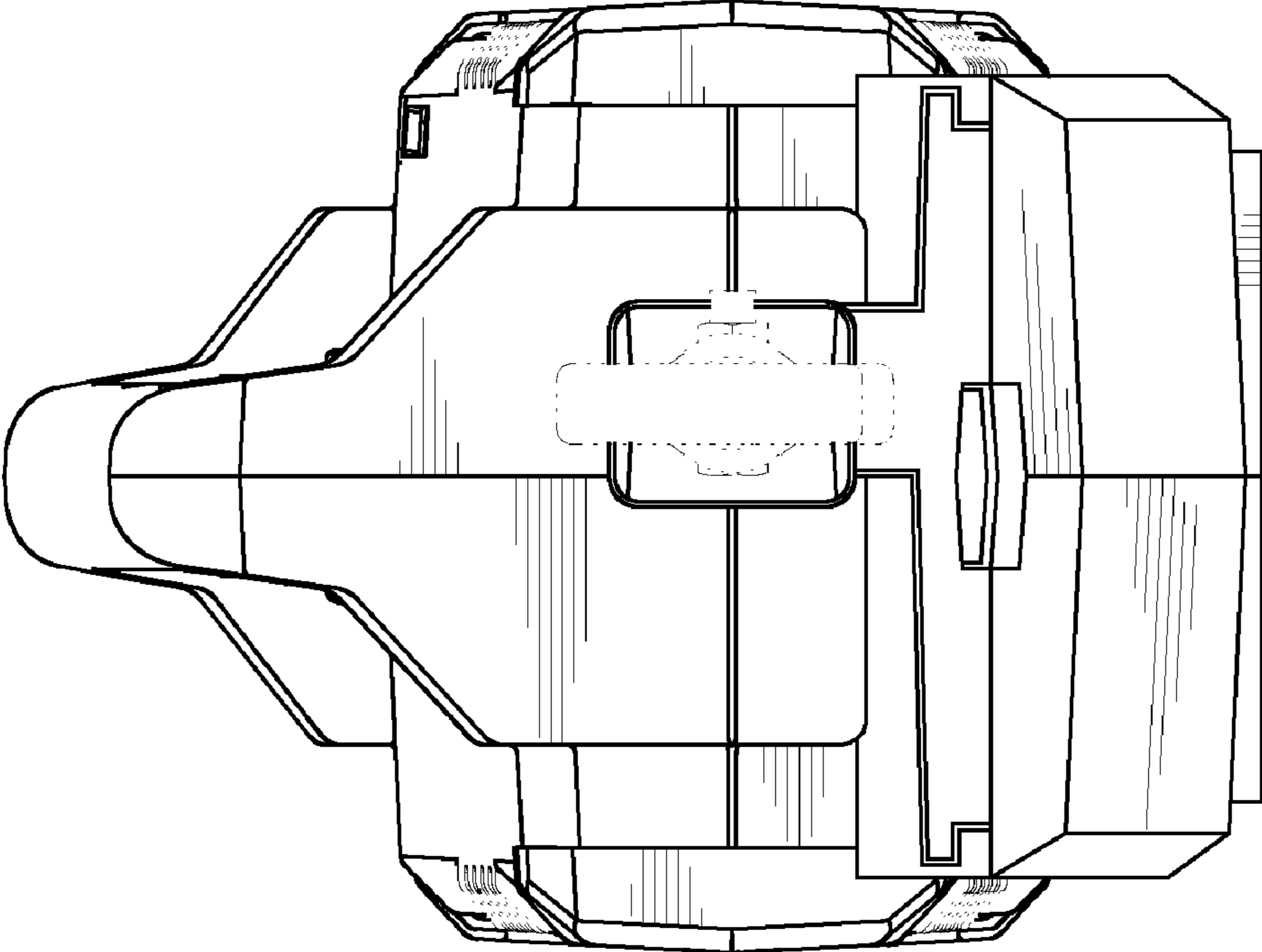


FIG 7