



US00D573772S

(12) **United States Design Patent**  
**Faehnle**

(10) **Patent No.:** **US D573,772 S**  
(45) **Date of Patent:** **\*\* Jul. 22, 2008**

(54) **FOLDING WHEELED CART**

(75) Inventor: **Elmar Faehnle**, Elchingen (DE)

(73) Assignee: **Metra, Inc.**, New York, NY (US)

(\*\*) Term: **14 Years**

(21) Appl. No.: **29/289,245**

(22) Filed: **Jul. 11, 2007**

(51) **LOC (8) Cl.** ..... **12-02**

(52) **U.S. Cl.** ..... **D34/17**

(58) **Field of Classification Search** ..... D34/12-27;  
280/642, 644, 42, 650, 655, 33.991, 33.992,  
280/33.993, 33.994, 33.995, 47.27, 47.29,  
280/47.19, 47.24, 33.996, 33.997, 33.998,  
280/47.35; D12/129

See application file for complete search history.

(56) **References Cited**

**U.S. PATENT DOCUMENTS**

D201,547 S *	7/1965	Krueger, Jr.	.....	D34/26
5,072,958 A *	12/1991	Young	.....	280/40
D337,191 S *	7/1993	Ibrahim	.....	D34/12
5,328,182 A *	7/1994	Kuo	.....	280/5.32
D441,935 S *	5/2001	Cook	.....	D34/24
D465,632 S *	11/2002	Koppes et al.	.....	D34/17
D480,527 S *	10/2003	Kollen	.....	D34/21

D481,511 S *	10/2003	Lee	.....	D34/24
D547,919 S *	7/2007	Jane Stopp	.....	D34/12
2006/0049614 A1 *	3/2006	Shamah	.....	280/652

\* cited by examiner

*Primary Examiner*—Cynthia E Ramirez

(74) *Attorney, Agent, or Firm*—Abelman, Frayne & Schwab

(57) **CLAIM**

The ornamental design for a folding wheeled cart, as shown and described.

**DESCRIPTION**

FIG. 1 is a top front left side perspective view of my new design;

FIG. 2 is a top view thereof;

FIG. 3 is a front elevation view thereof;

FIG. 4 is a right side elevation view, the left side being a mirror image thereof;

FIG. 5 is a rear elevation view thereof; and,

FIG. 6 is a perspective view similar to FIG. 1 illustrating a liner secured to the cart.

The features in broken lines are to show environment and do not form a part of the claimed invention.

**1 Claim, 6 Drawing Sheets**

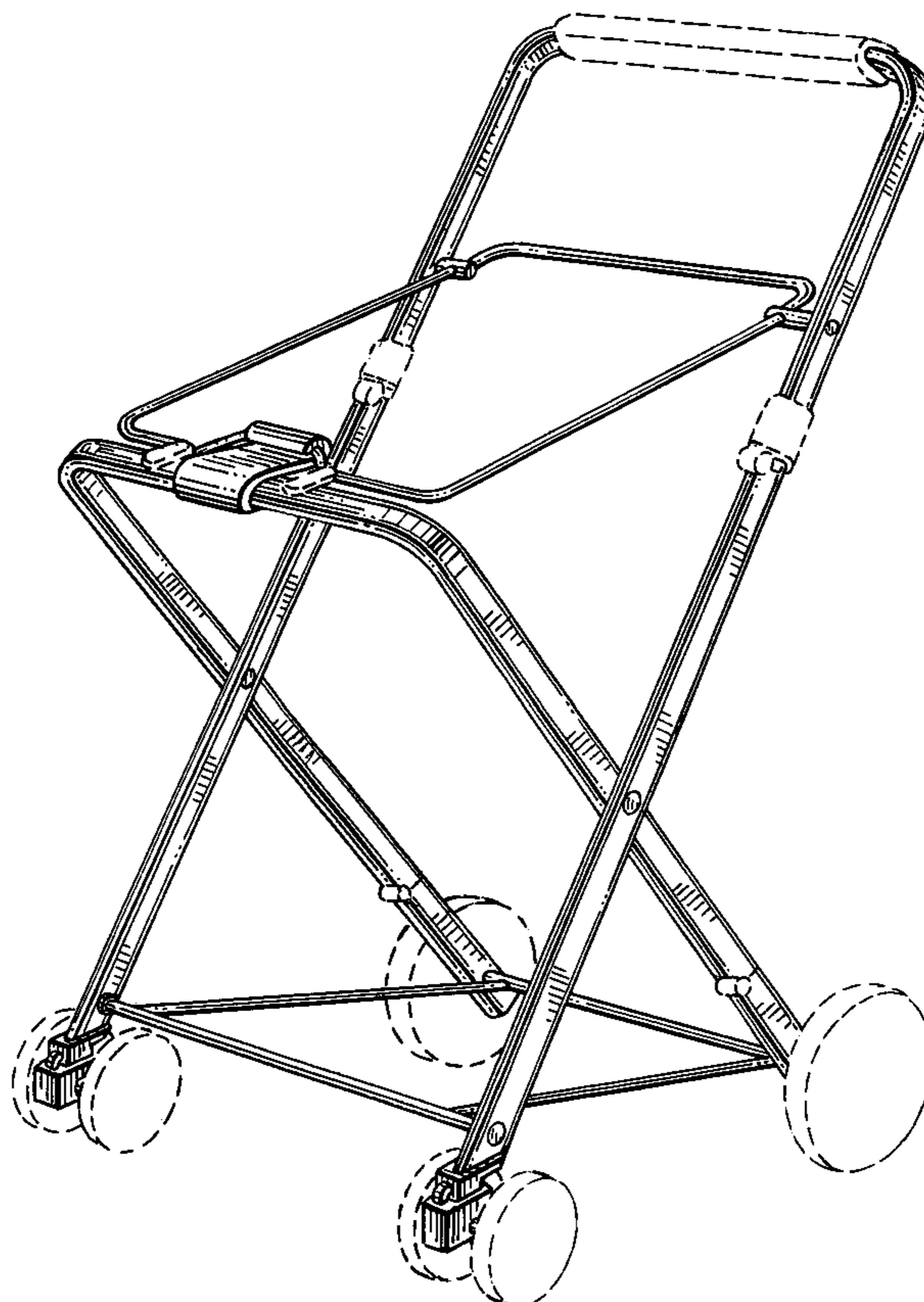


FIG. 1

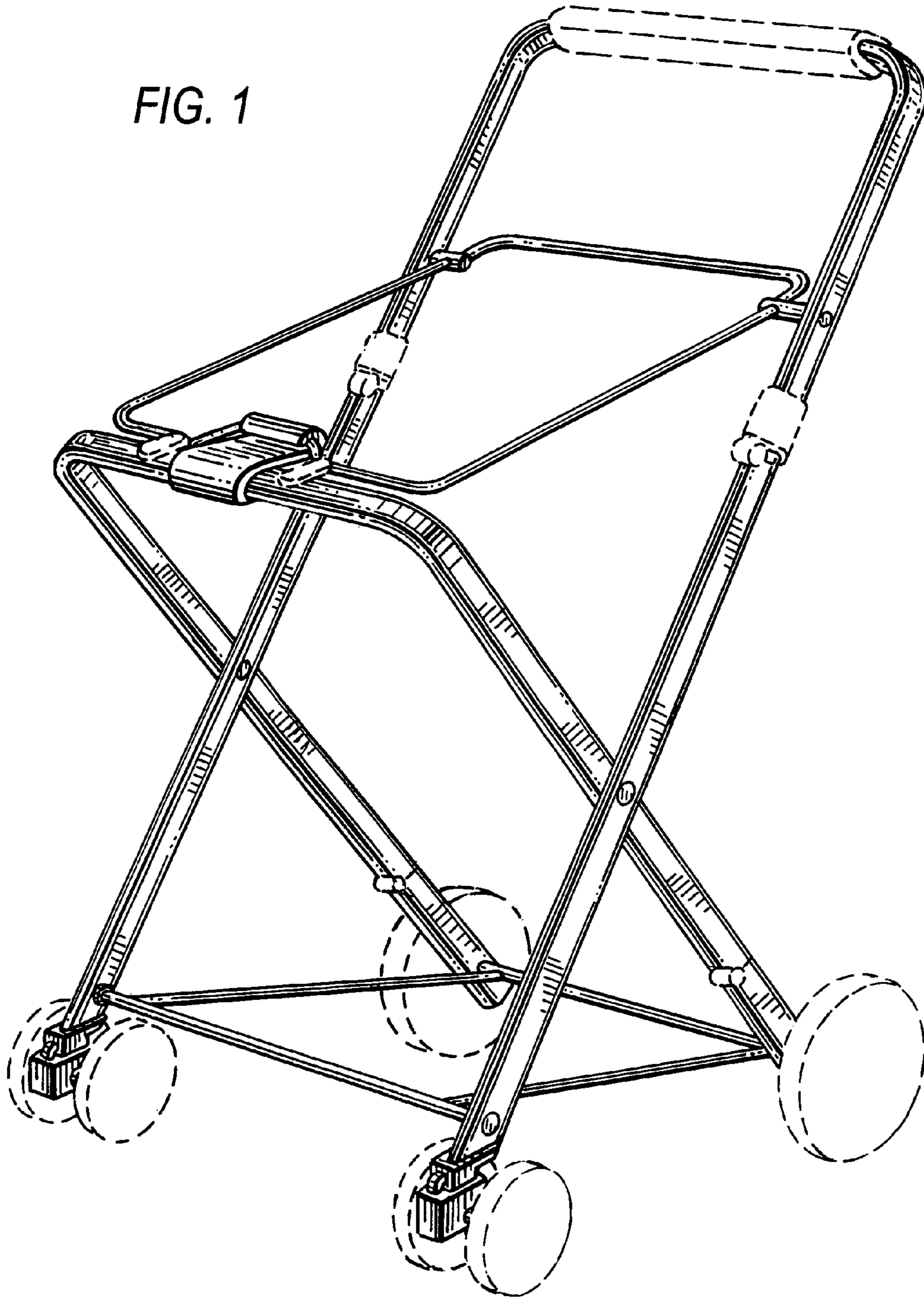


FIG. 2

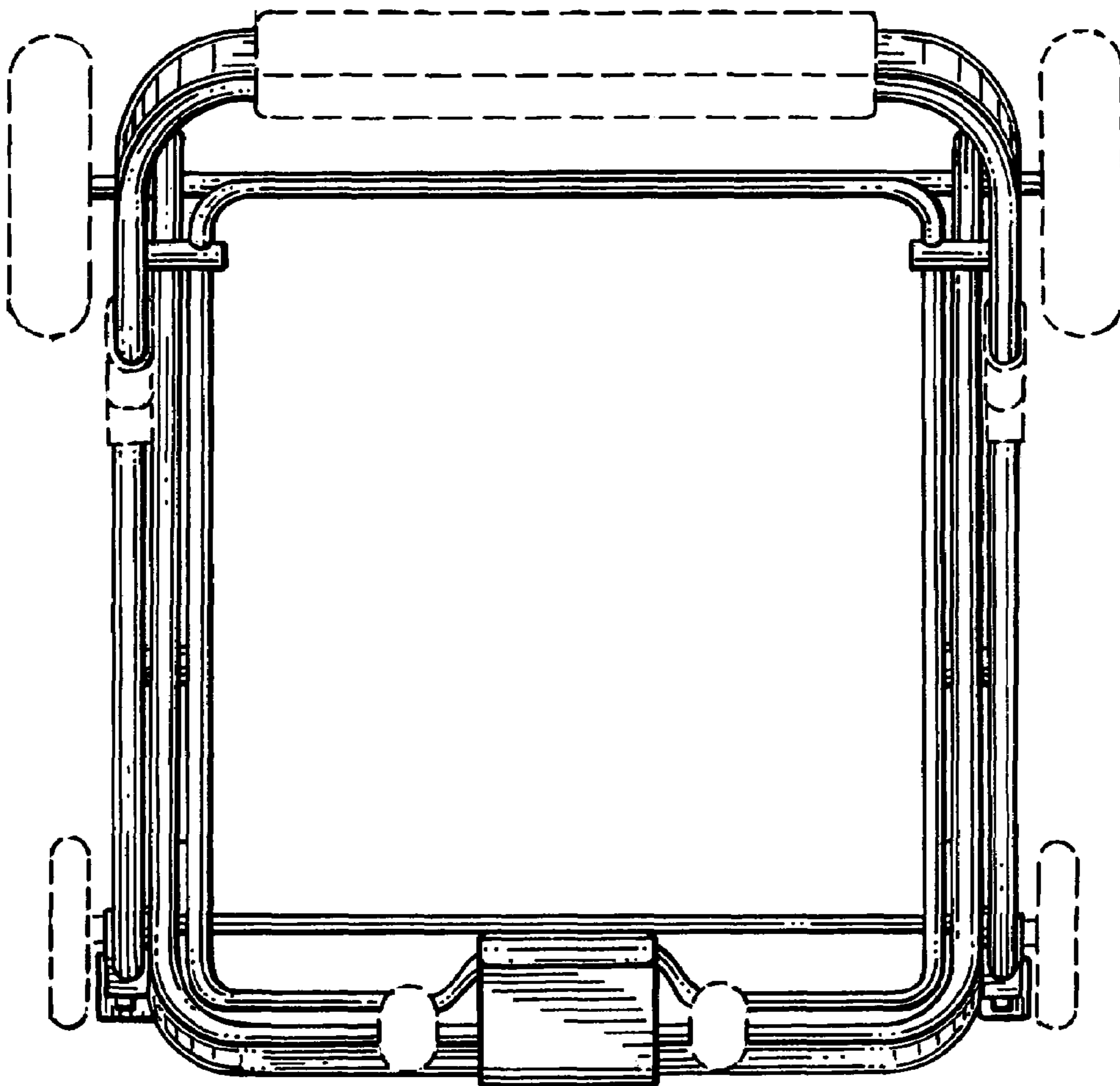
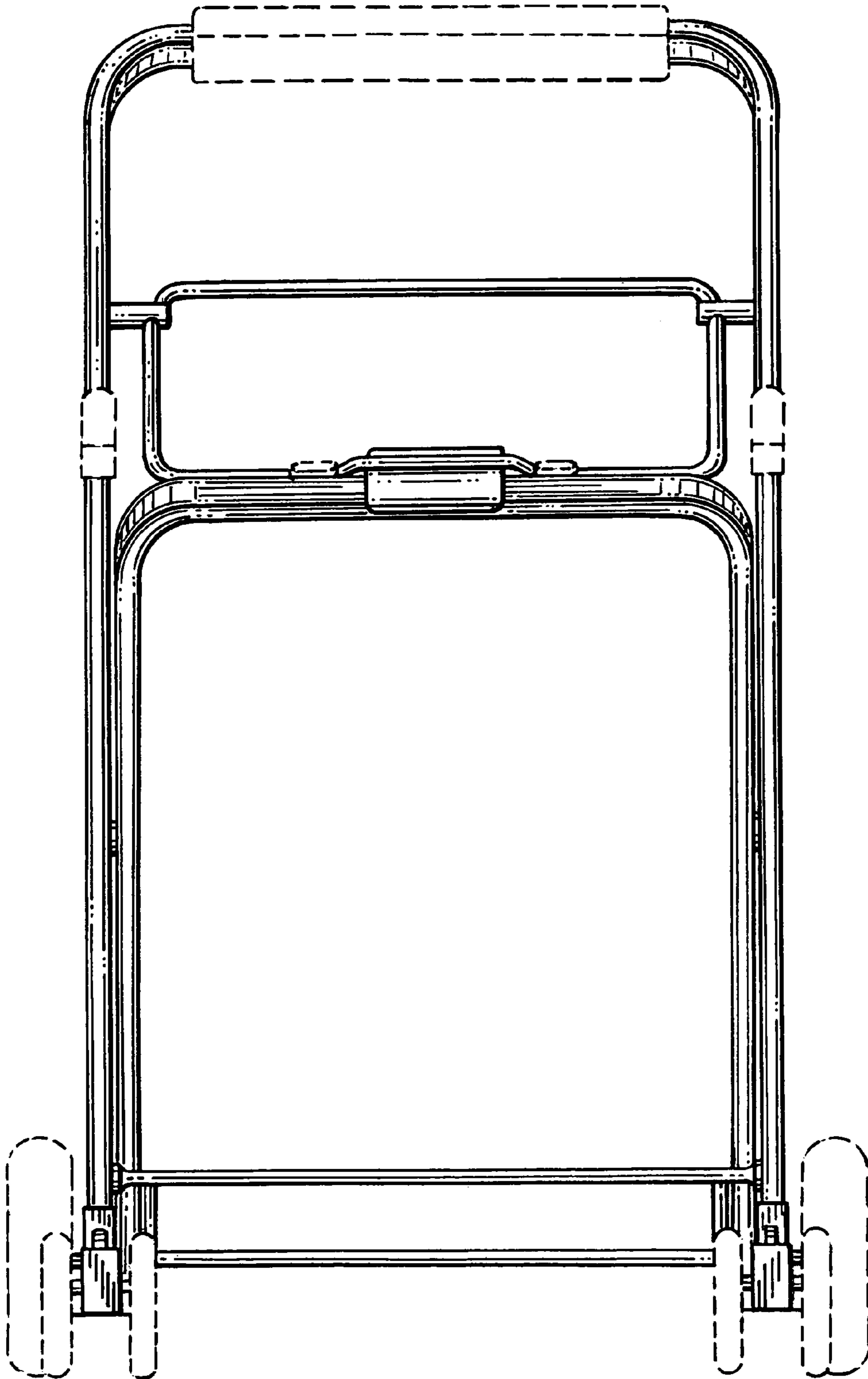


FIG. 3



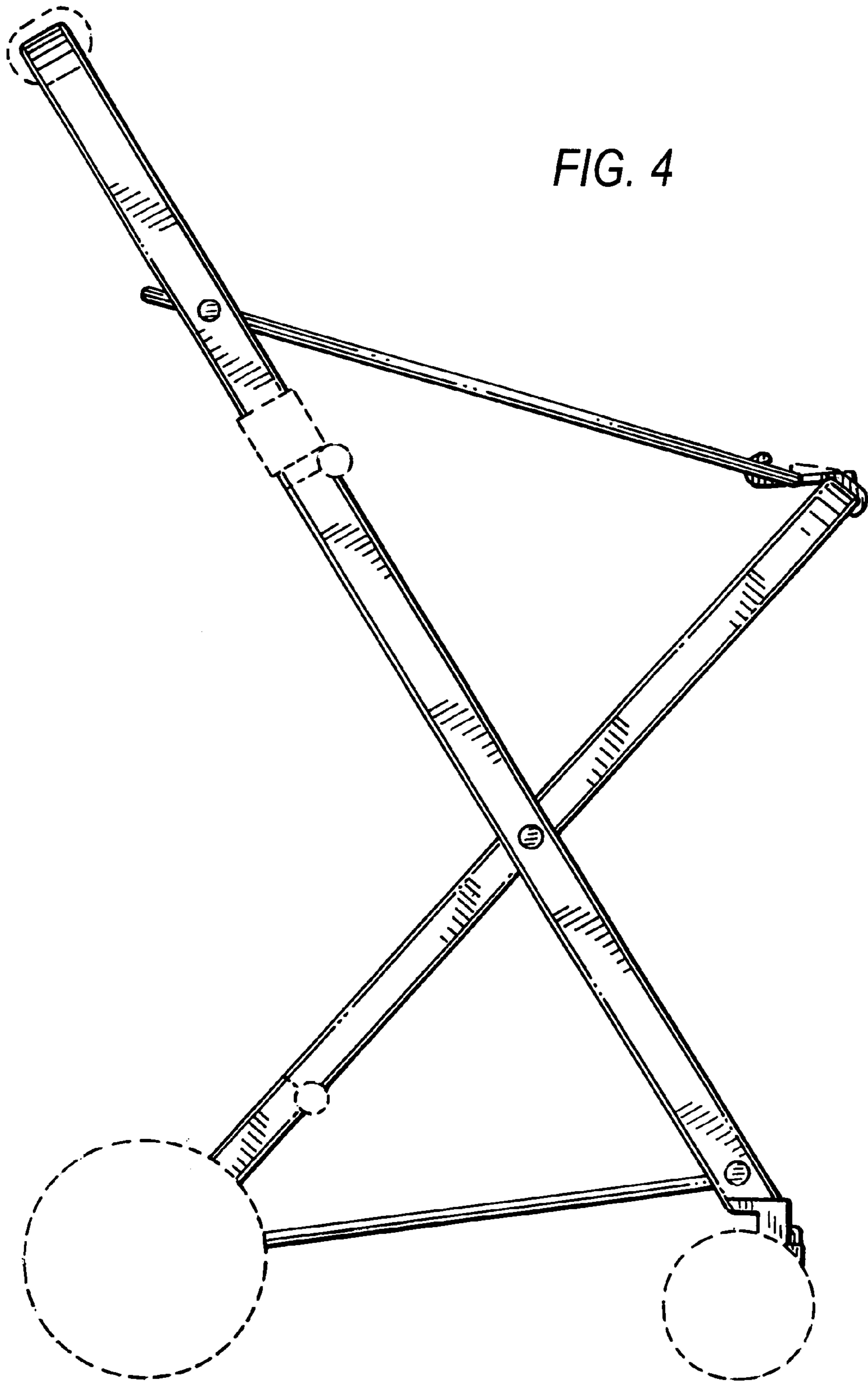


FIG. 5

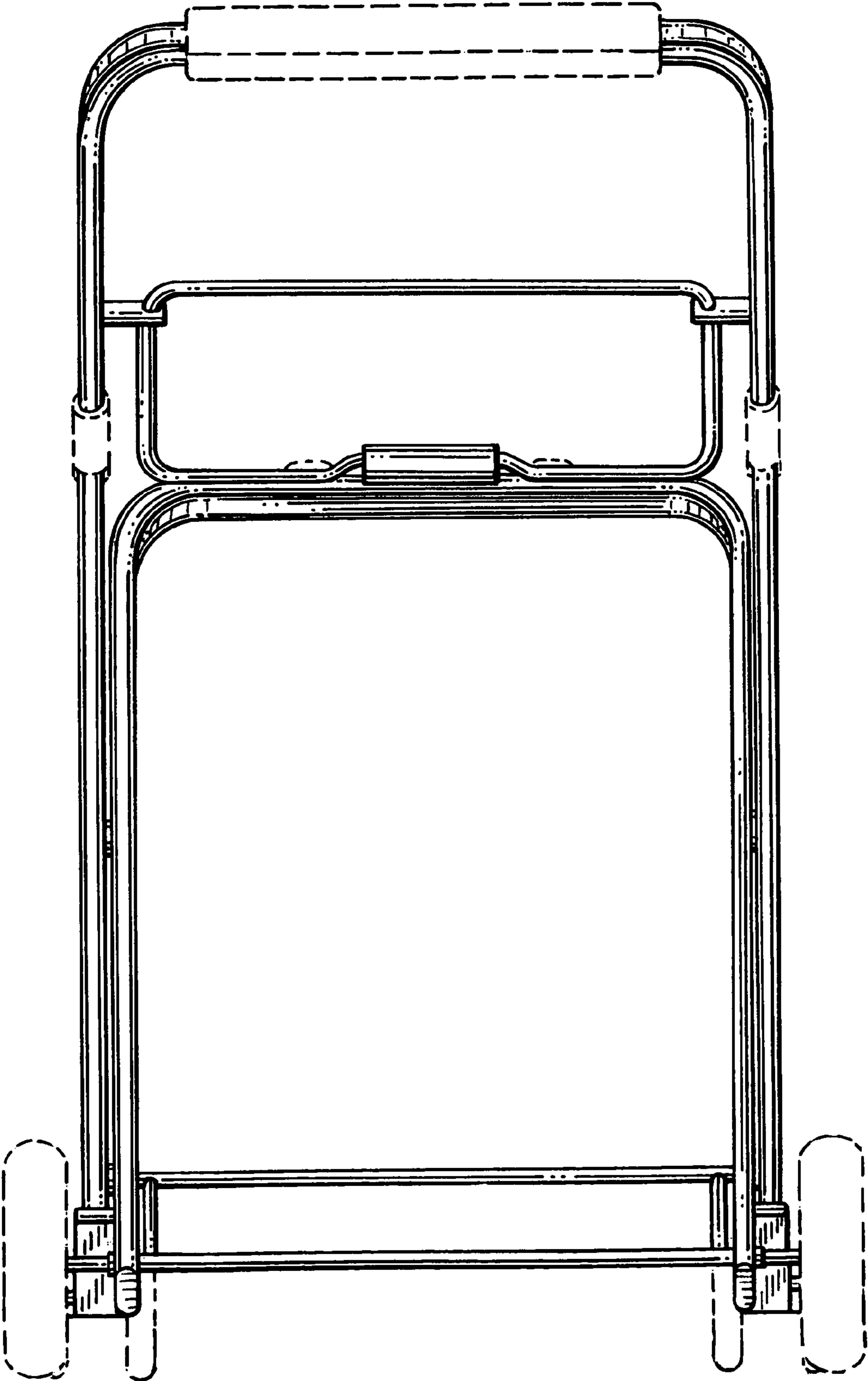


FIG. 6

