



US00D573765S

(12) **United States Design Patent**
Rock

(10) **Patent No.:** **US D573,765 S**
(45) **Date of Patent:** **** Jul. 22, 2008**

(54) **PAINT BOWL**

(76) Inventor: **Daniel A. Rock**, 1978 W. Lindsay Dr.,
Taylorsville, UT (US) 84119

(**) Term: **14 Years**

(21) Appl. No.: **29/265,982**

(22) Filed: **Sep. 13, 2006**

(51) **LOC (8) Cl.** **07-07**

(52) **U.S. Cl.** **D32/53.1**

(58) **Field of Classification Search** D32/54,
D32/53, 53.1, 35; 248/211; D8/373; 220/697,
220/736, 755; 224/677, 148.4-148.7; D9/443;
D7/622; 401/15

See application file for complete search history.

(56) **References Cited**

U.S. PATENT DOCUMENTS

D180,308 S *	5/1957	Willis	D32/53
3,252,635 A *	5/1966	Rosenhan	222/527
D230,462 S *	2/1974	Renou	D32/53
3,899,107 A *	8/1975	Gaal	222/570
D262,193 S *	12/1981	Fowkes	D9/447
D289,455 S *	4/1987	Freiler	D32/53
D290,897 S *	7/1987	Streit	D32/53

D420,287 S *	2/2000	Coppola	D9/447
6,539,991 B1 *	4/2003	Ackerman	141/331
D515,263 S *	2/2006	Libman et al.	D32/53

* cited by examiner

Primary Examiner—Cathron Brooks

Assistant Examiner—Kevin K Rudzinski

(74) *Attorney, Agent, or Firm*—Merek, Blackmon &
Voorhees, LLC

(57) **CLAIM**

The ornamental design for a paint bowl, as shown and described.

DESCRIPTION

FIG. 1 is a perspective view of a paint bowl showing my new design;

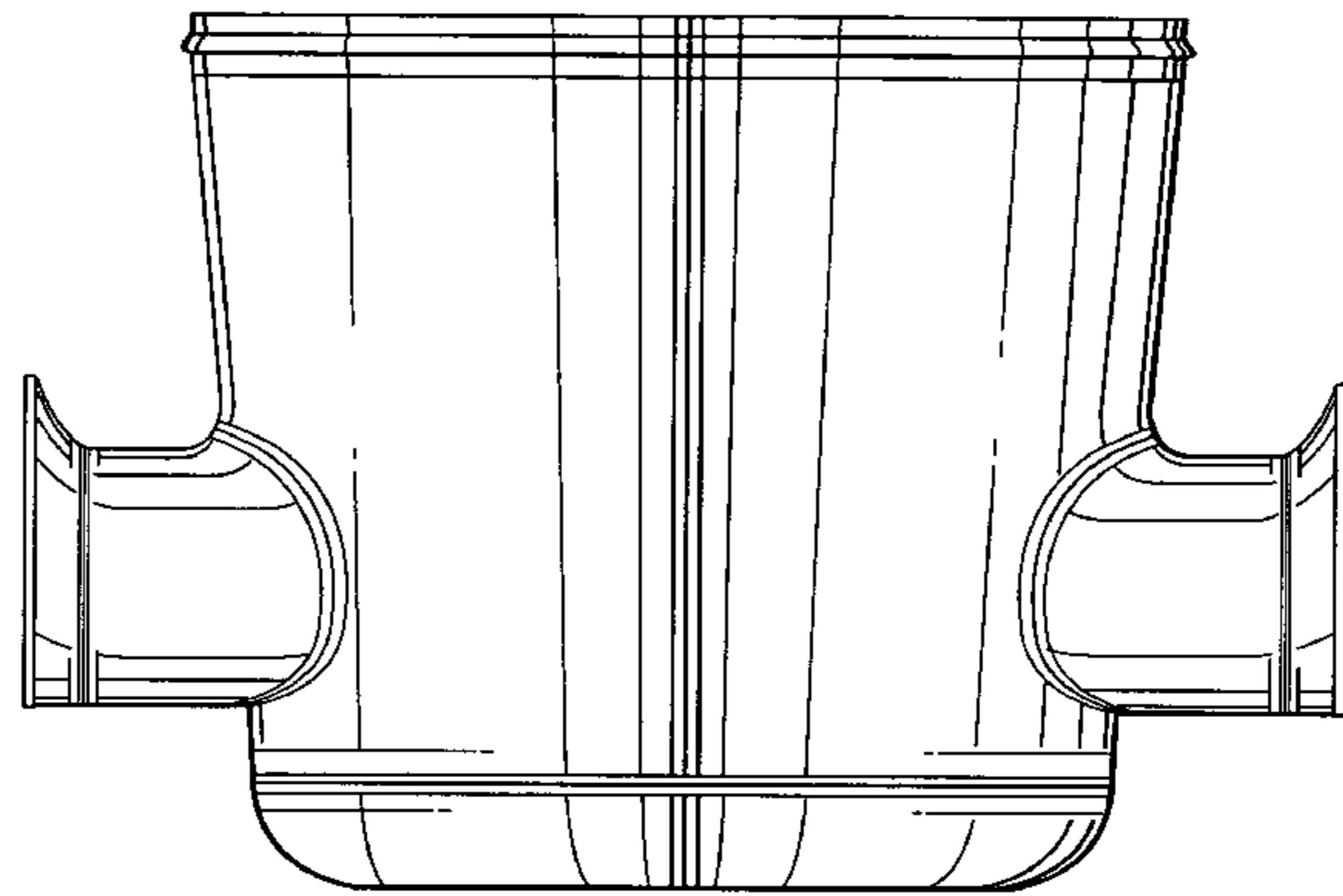
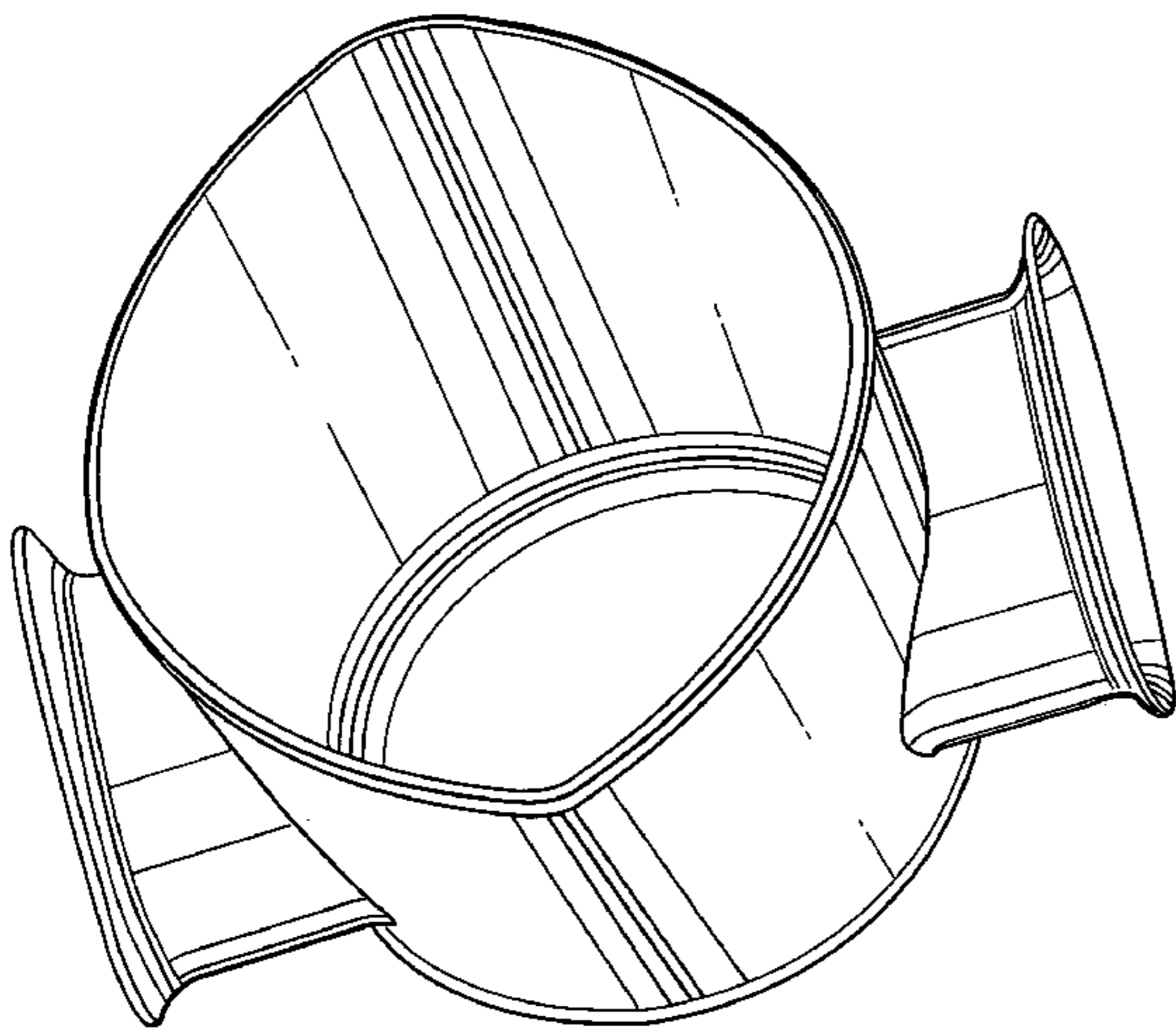
FIG. 2 is a front elevational view thereof, with the rear elevational view being identical thereto;

FIG. 3 is a top view thereof;

FIG. 4 is a right side elevational view, with the left side elevational view being identical thereto; and,

FIG. 5 is a bottom view thereof.

1 Claim, 5 Drawing Sheets



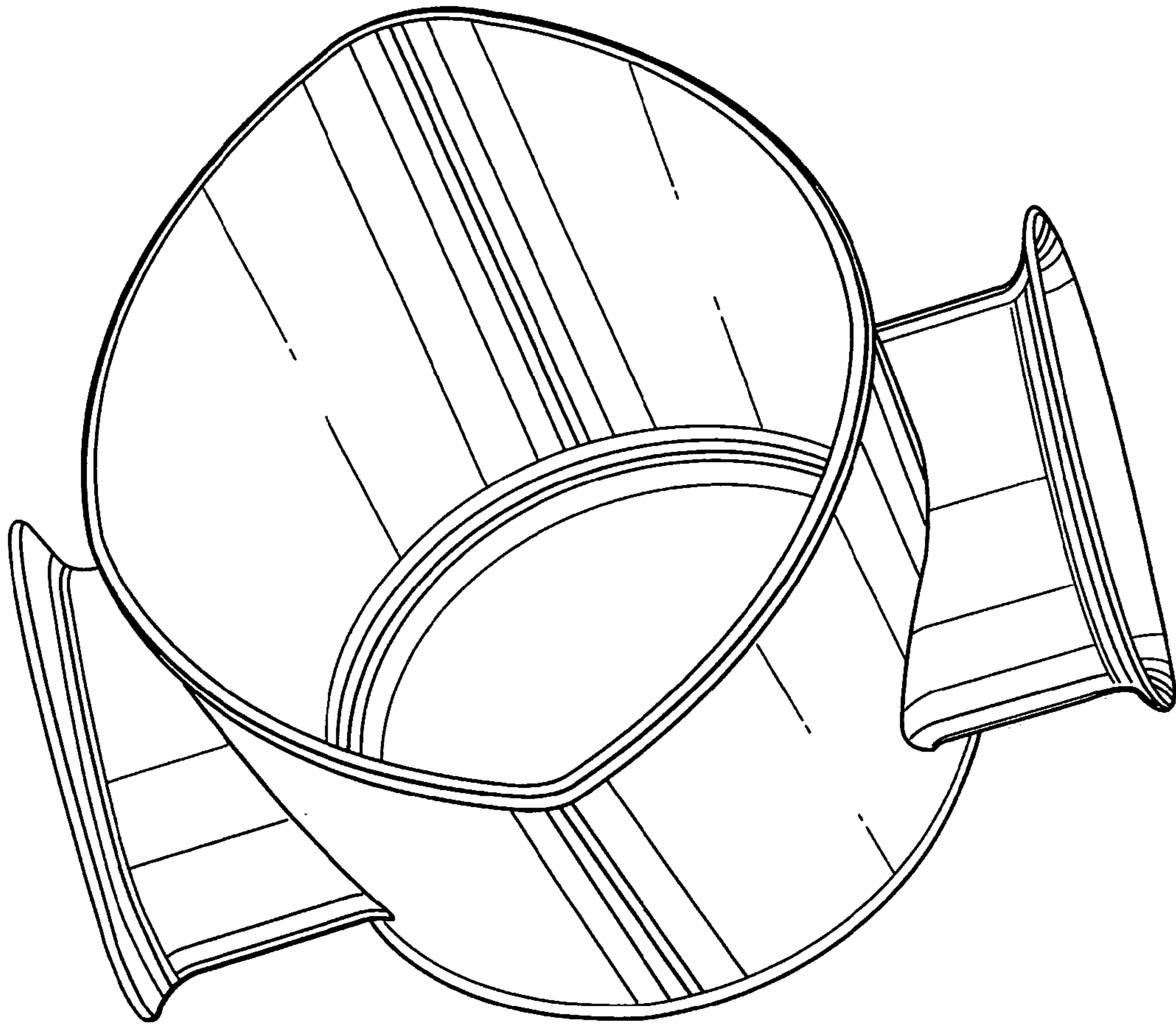


Fig. 1

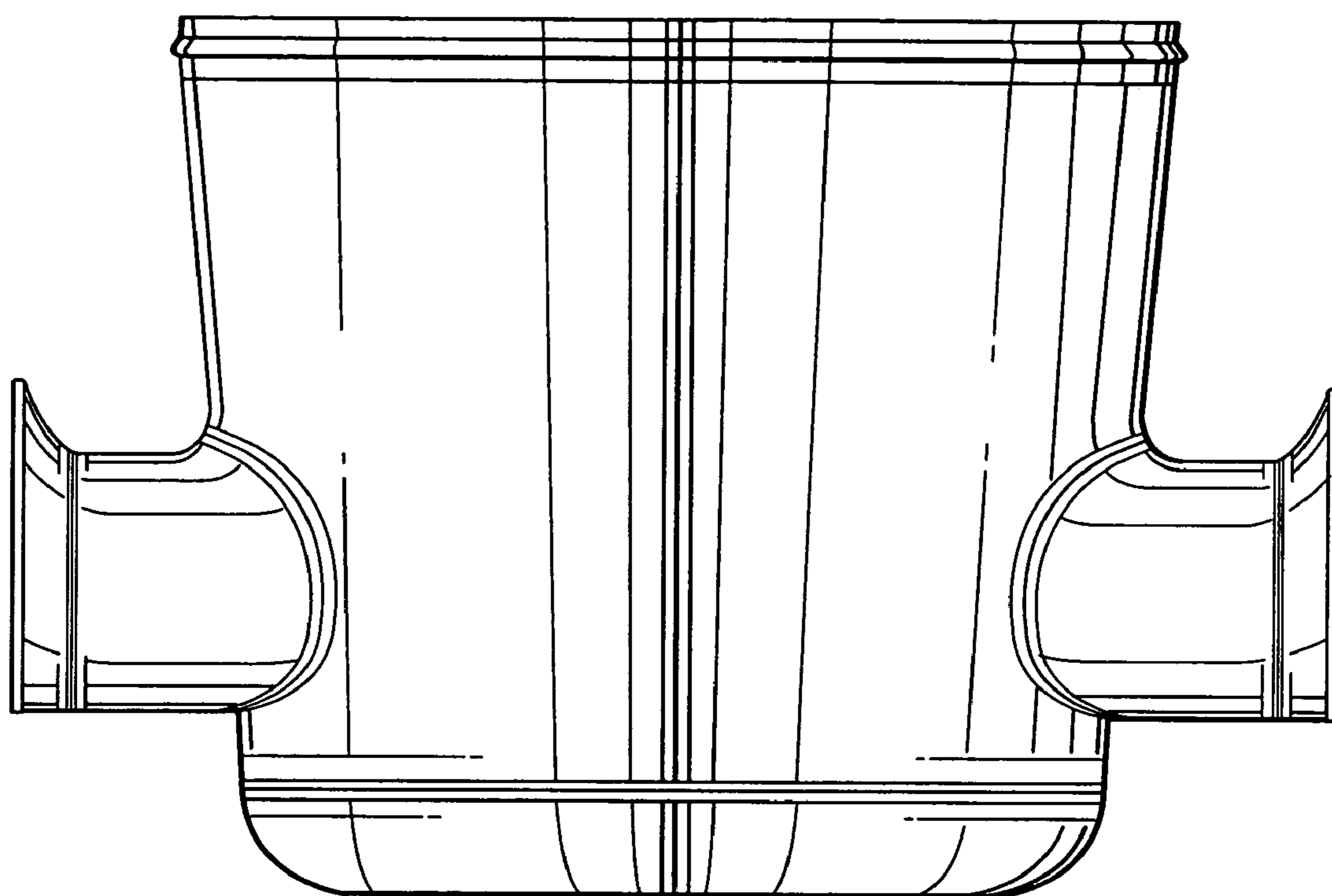
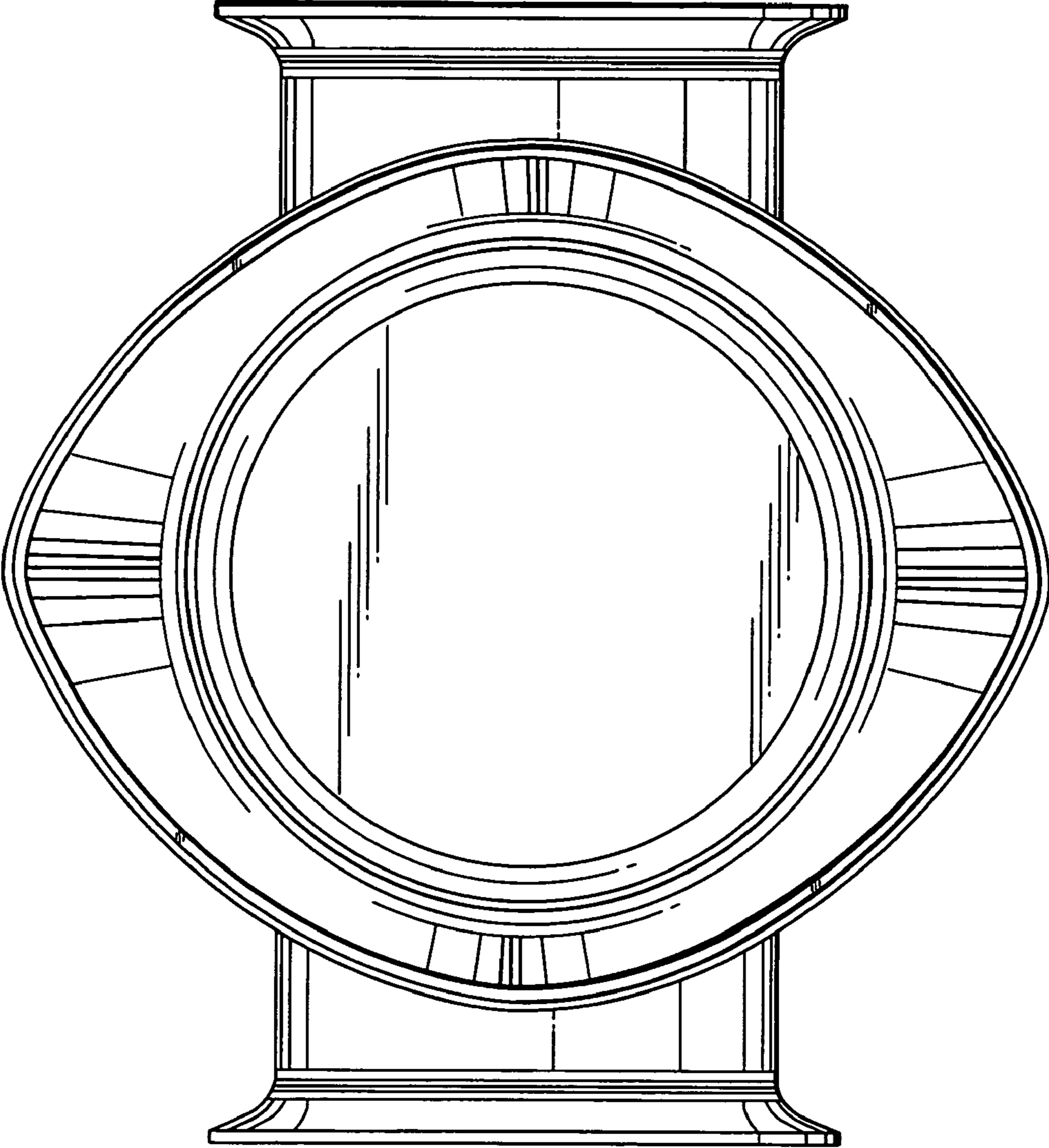


Fig. 2

Fig. 3



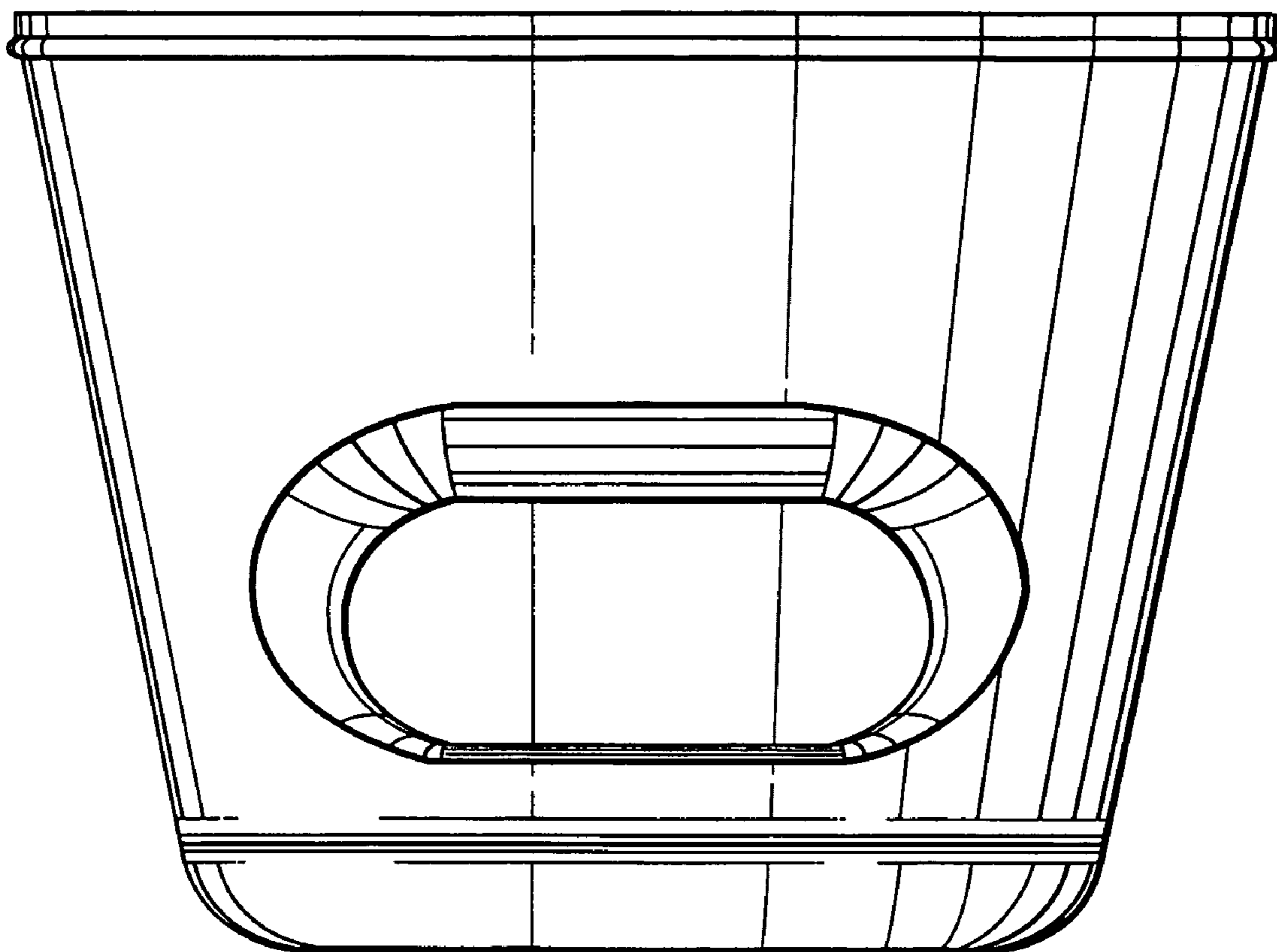


Fig. 4

Fig. 5

