



US00D573759S

(12) **United States Design Patent**  
**Konno et al.**

(10) **Patent No.:** **US D573,759 S**  
(45) **Date of Patent:** **\*\* Jul. 22, 2008**

(54) **ELECTRIC VACUUM CLEANER**  
(75) Inventors: **Kiyoaki Konno**, Osaka (JP); **Masakazu Umeda**, Osaka (JP); **Hisashi Yoshida**, Osaka (JP); **Taro Iike**, Osaka (JP); **Morgan Brown**, Danville, KY (US)  
(73) Assignee: **Matsushita Electric Industrial Co., Ltd.**, Kadoma-shi (JP)

D462,815 S 9/2002 Roberts  
D463,078 S \* 9/2002 Harada ..... D32/22  
D485,027 S 1/2004 Brown  
D494,720 S 8/2004 Rosenzweig  
D510,465 S \* 10/2005 Takahashi et al. .... D32/22  
D530,472 S 10/2006 Konno  
D532,944 S \* 11/2006 Choi ..... D32/22  
D535,069 S \* 1/2007 Breit ..... D32/22  
D537,584 S \* 2/2007 Greene et al. .... D32/22  
D553,814 S \* 10/2007 Parr et al. .... D32/22

(\*\*) Term: **14 Years**

**FOREIGN PATENT DOCUMENTS**

(21) Appl. No.: **29/277,479**

EM 000236286001 A1 1/2005

(22) Filed: **Feb. 27, 2007**

\* cited by examiner

(51) **LOC (8) Cl.** ..... **15-05**

*Primary Examiner*—Ruth McInroy

(52) **U.S. Cl.** ..... **D32/22**

(74) *Attorney, Agent, or Firm*—Christensen O'Connor Johnson Kindness PLLC

(58) **Field of Classification Search** ..... D32/17,  
D32/18, 22, 31; 15/344, 329, 347, 350–353,  
15/361, 363, 412, 334; 55/343, 349, 424,  
55/459.1, DIG. 3

(57) **CLAIM**

See application file for complete search history.

The ornamental design for an electric vacuum cleaner, as shown and described.

(56) **References Cited**

**DESCRIPTION**

**U.S. PATENT DOCUMENTS**

FIG. 1 is a perspective view of the top, front and right side of an electric vacuum cleaner showing our new design;

D309,203 S 7/1990 Goodrich  
5,101,532 A 4/1992 Dyson  
D343,707 S 1/1994 Dyson  
D365,669 S 12/1995 Piccaluga  
D417,533 S 12/1999 Burchard  
D429,776 S 8/2000 Gammack  
D435,945 S 1/2001 Ikeno  
D439,379 S \* 3/2001 Gammack et al. .... D32/22  
6,341,404 B1 1/2002 Salo  
D462,813 S \* 9/2002 Nakano et al. .... D32/22  
D462,814 S 9/2002 Sugimoto

FIG. 2 is a front view thereof;

FIG. 3 is a top plan view thereof;

FIG. 4 is a left side view thereof;

FIG. 5 is a right side view thereof;

FIG. 6 is a rear view thereof; and,

FIG. 7 is a bottom view thereof.

**1 Claim, 4 Drawing Sheets**

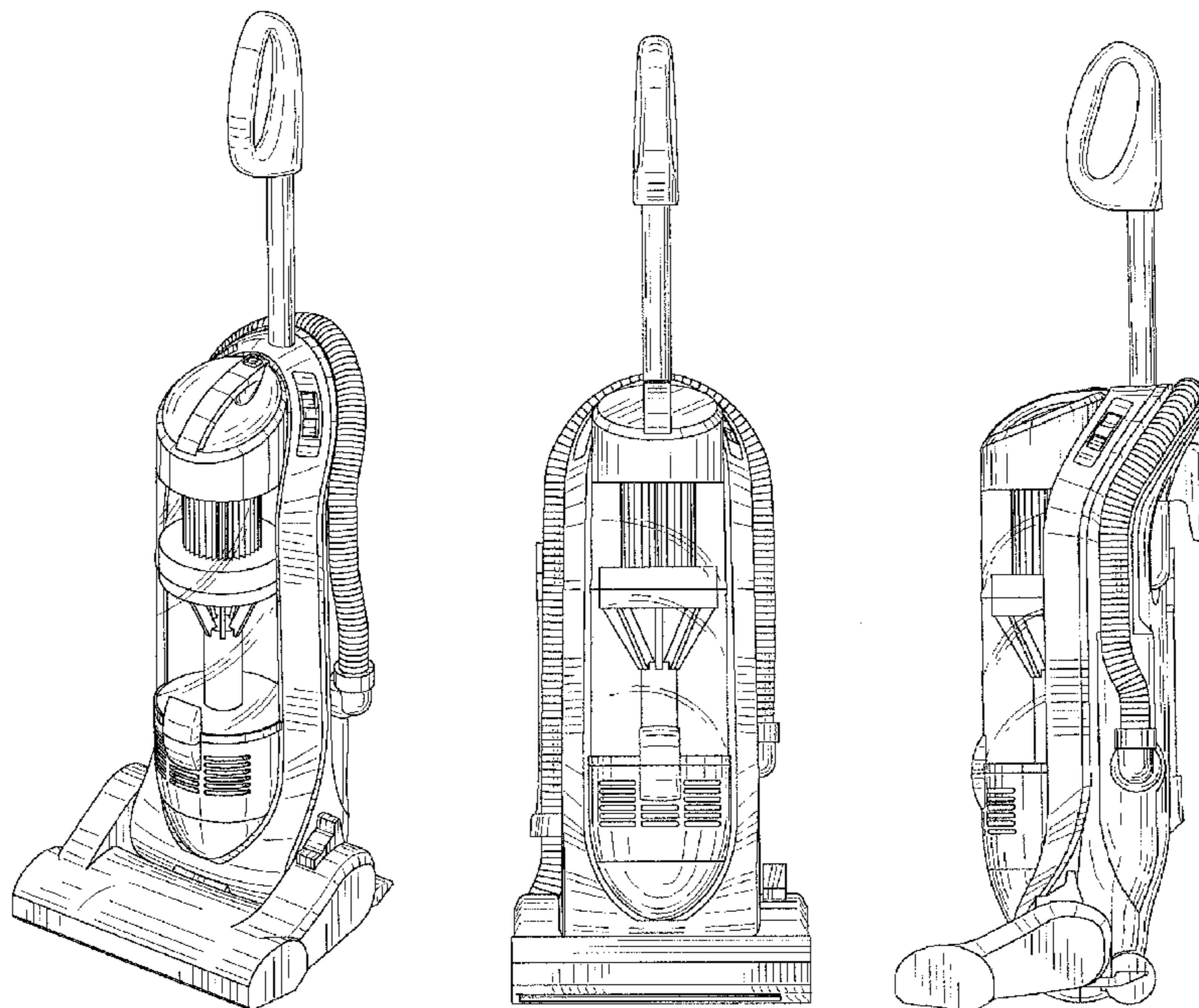


FIG. 1

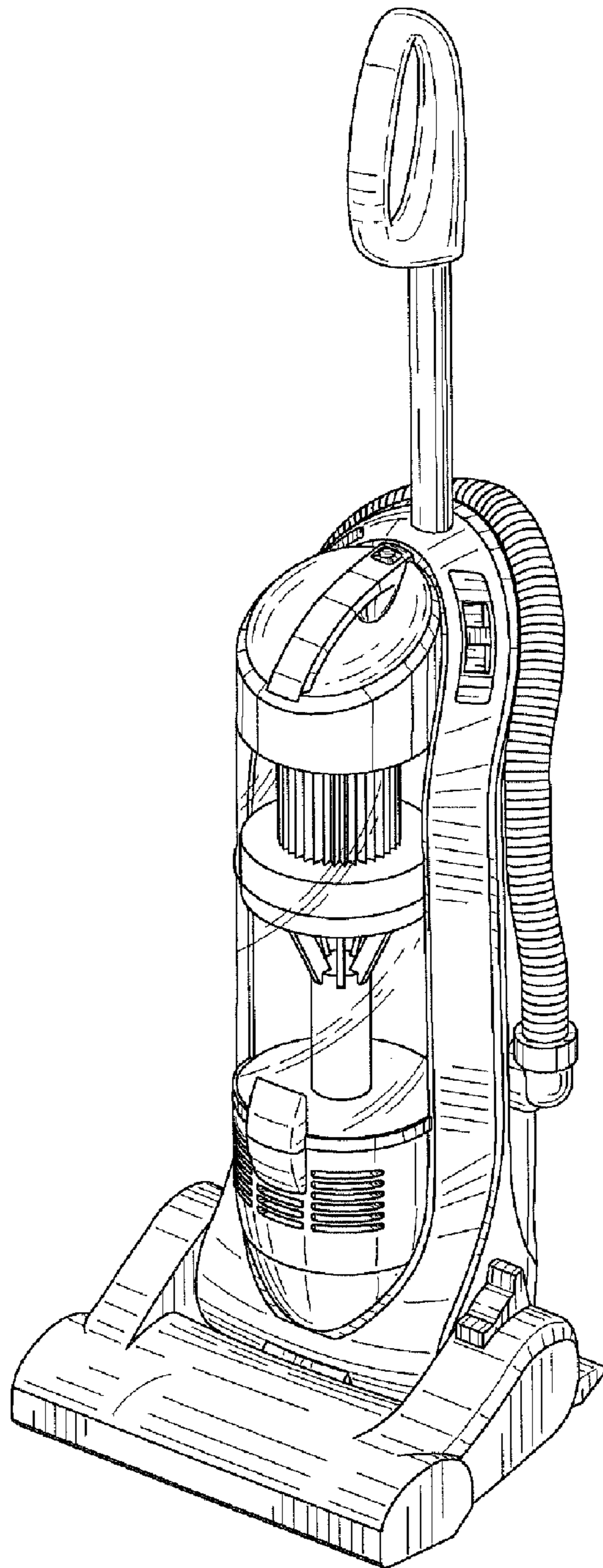


FIG.2

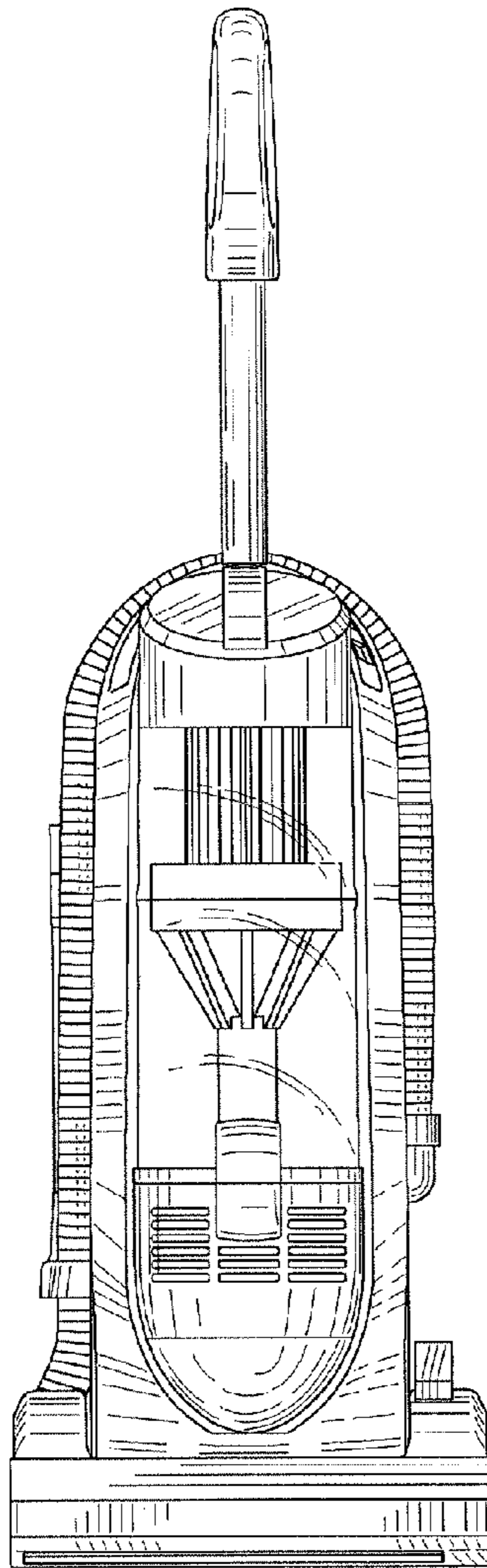


FIG.3

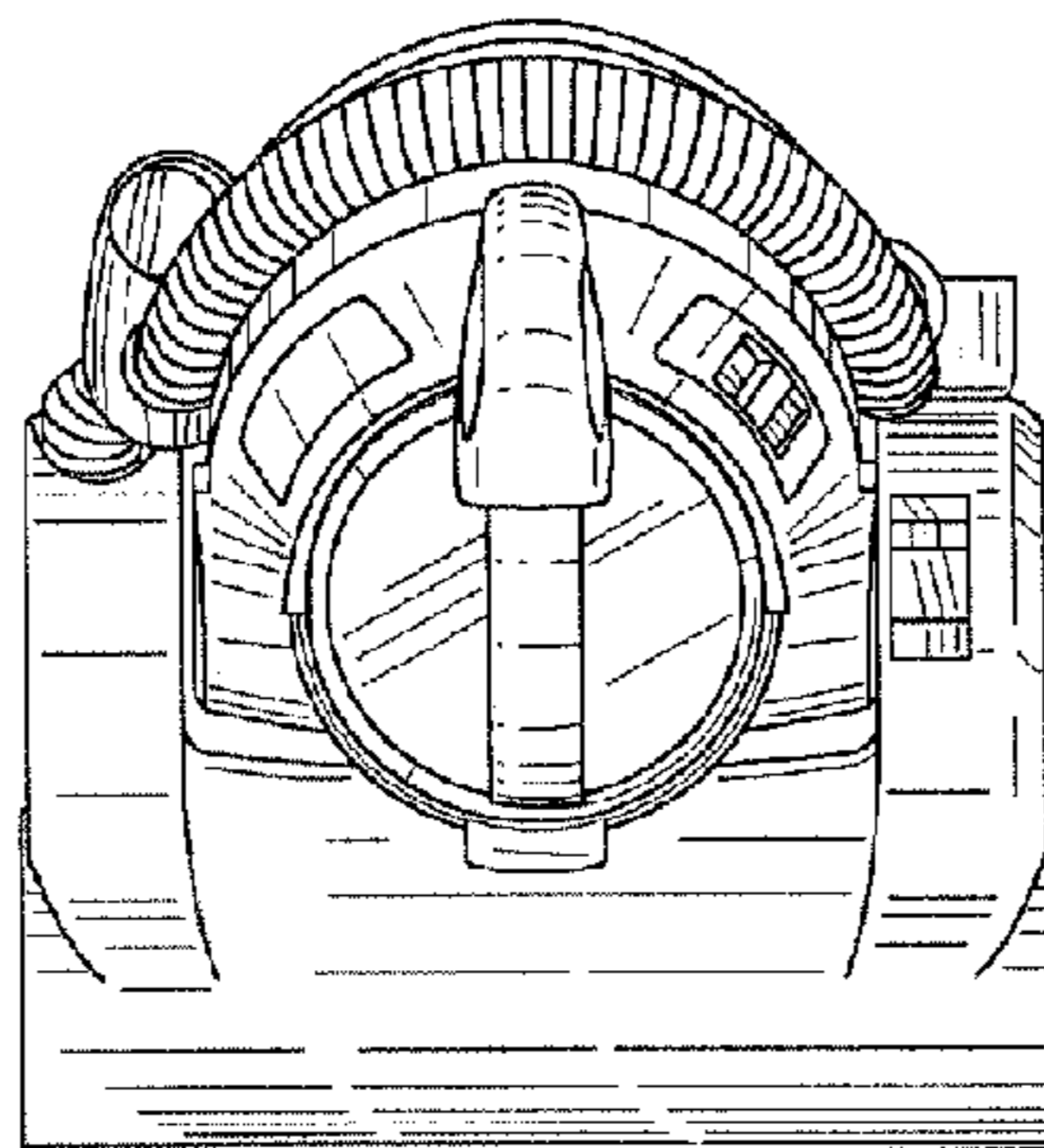




FIG.4

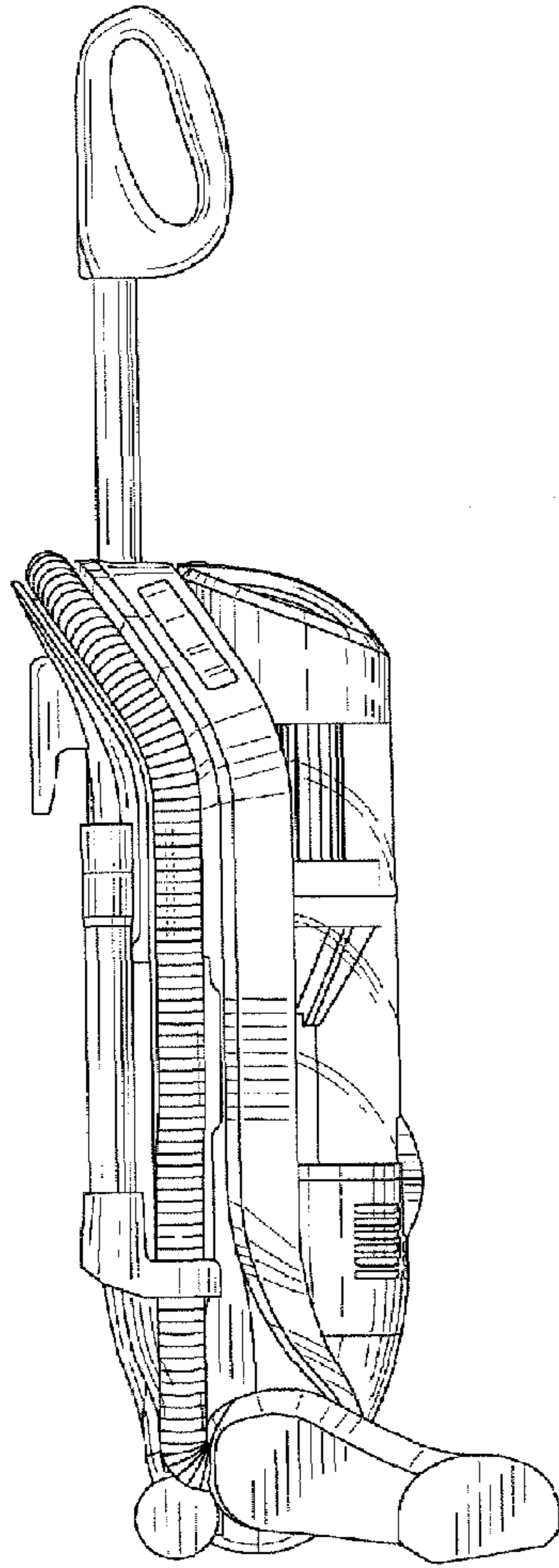


FIG.5

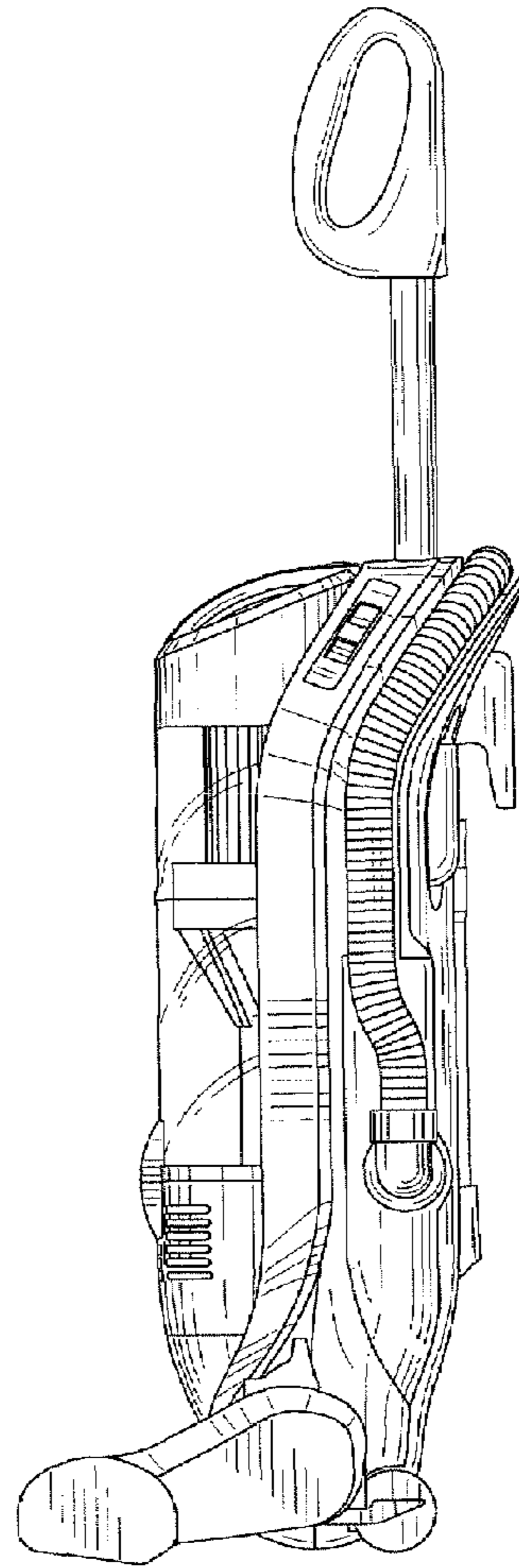


FIG.7

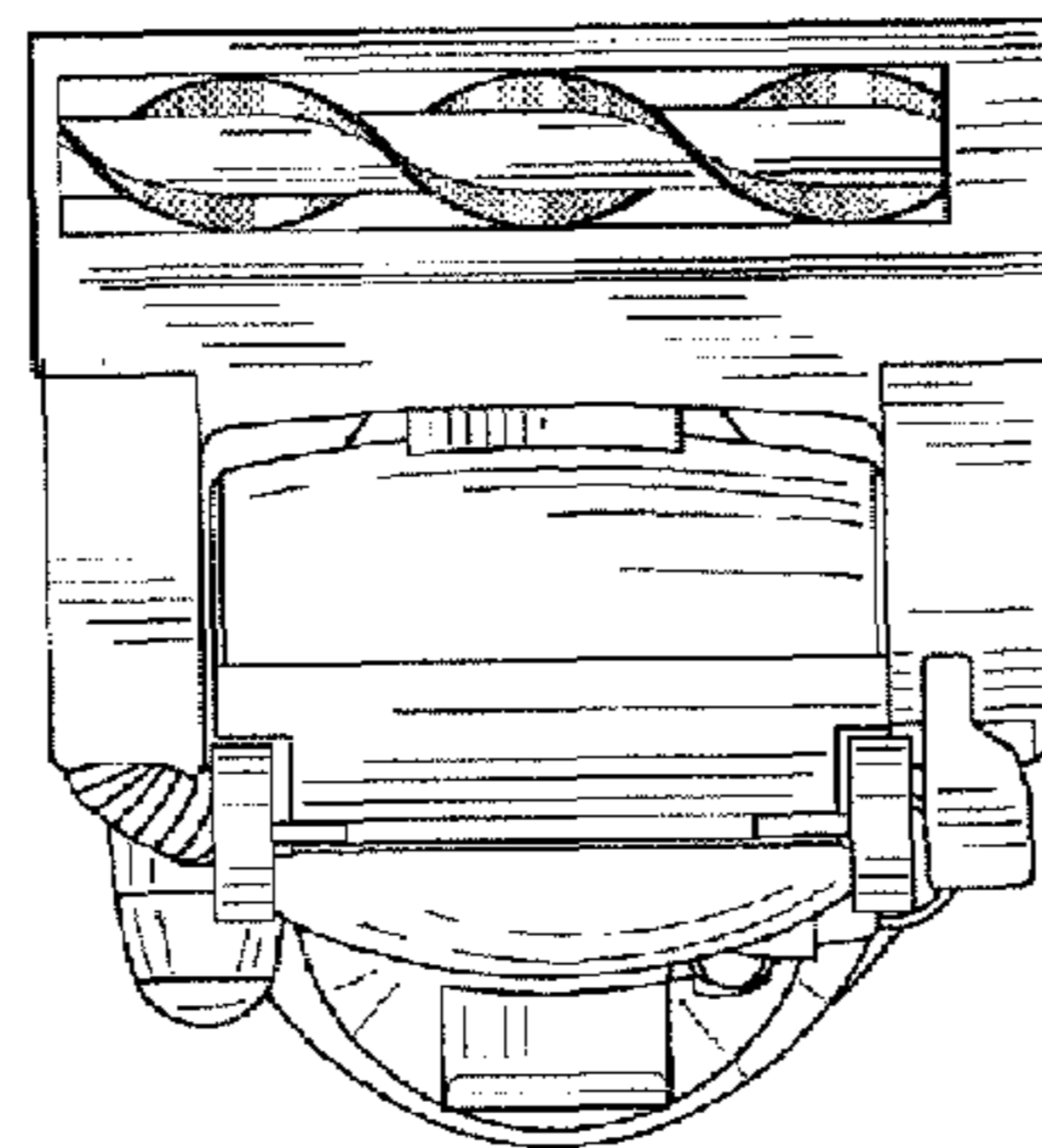


FIG. 6

