



US00D573756S

(12) **United States Design Patent**
Nielsen et al.

(10) **Patent No.:** **US D573,756 S**
(45) **Date of Patent:** **** Jul. 22, 2008**

(54) **CORDLESS HAIR CLIPPER**

(75) Inventors: **Ray Nielsen**, Sterling, IL (US);
Fivetiger Li, Zhejiang (CN)

(73) Assignee: **Wahl Clipper Corporation**, Sterling, IL (US)

(**) Term: **14 Years**

(21) Appl. No.: **29/296,191**

(22) Filed: **Oct. 16, 2007**

(51) **LOC (8) Cl.** **28-03**

(52) **U.S. Cl.** **D28/53**

(58) **Field of Classification Search** 30/30,
30/32, 34.05, 34.1–34.2, 44–45, 43–43.92,
30/47–51, 57–58, 526–527, 532–533, 196,
30/201, 223, 233, 233.5; D28/49–54, 44.1
See application file for complete search history.

(56) **References Cited**

U.S. PATENT DOCUMENTS

5,970,616	A	10/1999	Wahl et al.	
D436,692	S	1/2001	Larsen	
D454,980	S *	3/2002	Long et al.	D28/53
D497,452	S	10/2004	Nielsen et al.	
D513,344	S	12/2005	Choi	
D534,689	S *	1/2007	Gross et al.	D28/53
2005/0138817	A1 *	6/2005	Yamaguchi et al.	30/233

* cited by examiner

Primary Examiner—Jennifer Rivard
(74) *Attorney, Agent, or Firm*—Greer, Burns & Crain, Ltd.

(57) **CLAIM**

The ornamental design for a cordless hair clipper, as shown and described.

DESCRIPTION

FIG. 1 is a top perspective view of a first embodiment of the present cordless hair clipper;

FIG. 2 is a side view of same, the opposite side being a mirror image thereof;

FIG. 3 is a front view of same;

FIG. 4 is a rear view of the cordless hair clipper of FIG. 1;

FIG. 5 is a top view of same;

FIG. 6 is a bottom view of the same;

FIG. 7 is a top perspective view of a second embodiment of the present cordless hair clipper;

FIG. 8 is a side view of the hair clipper of FIG. 7, the opposite side being a mirror image thereof;

FIG. 9 is a front view of same;

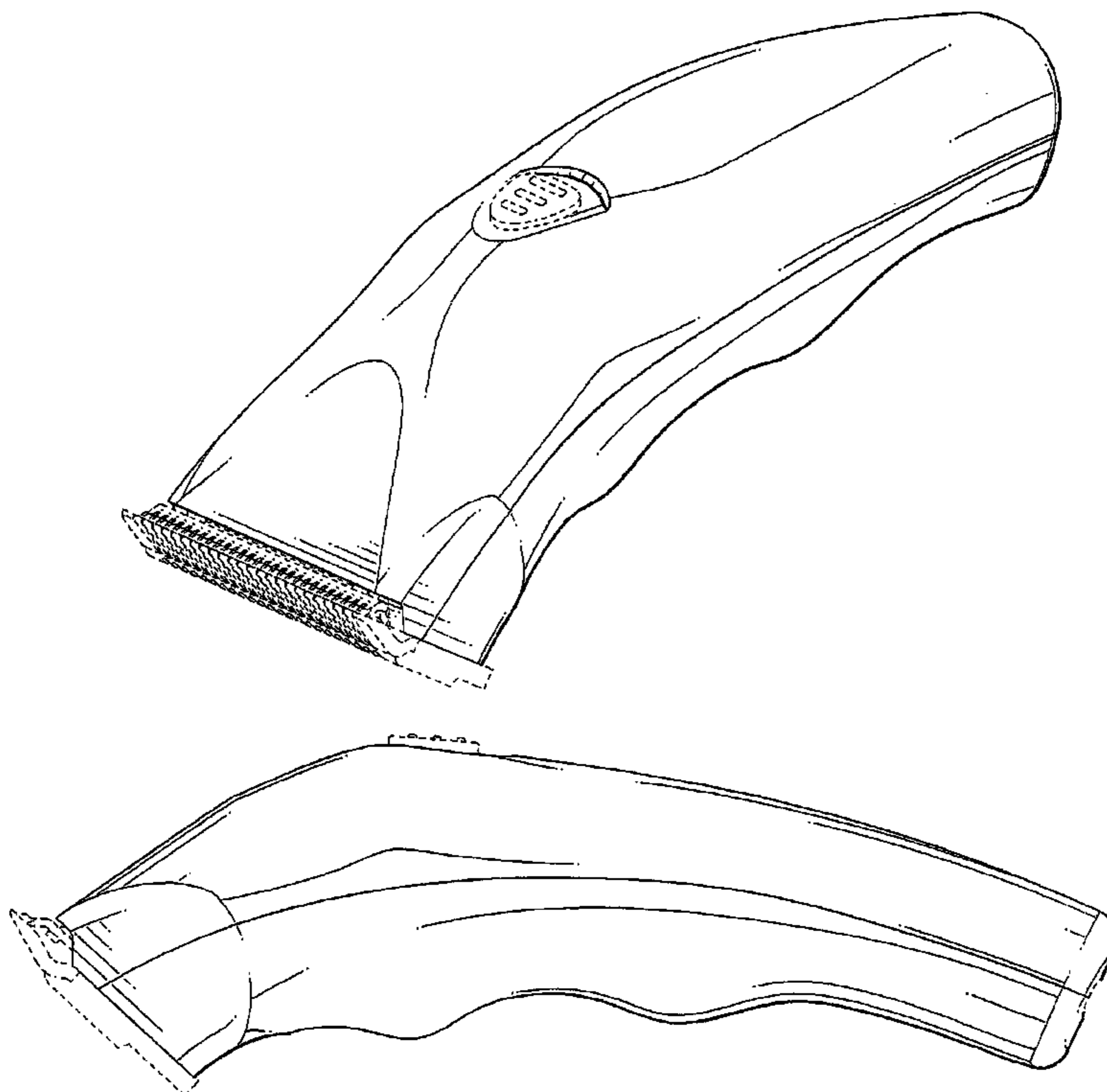
FIG. 10 is a rear view of the cordless hair clipper of FIG. 7;

FIG. 11 is a top view of same; and,

FIG. 12 is bottom view of same.

The broken lines are submitted for environment purposes only and do not form part of the claimed invention.

1 Claim, 10 Drawing Sheets



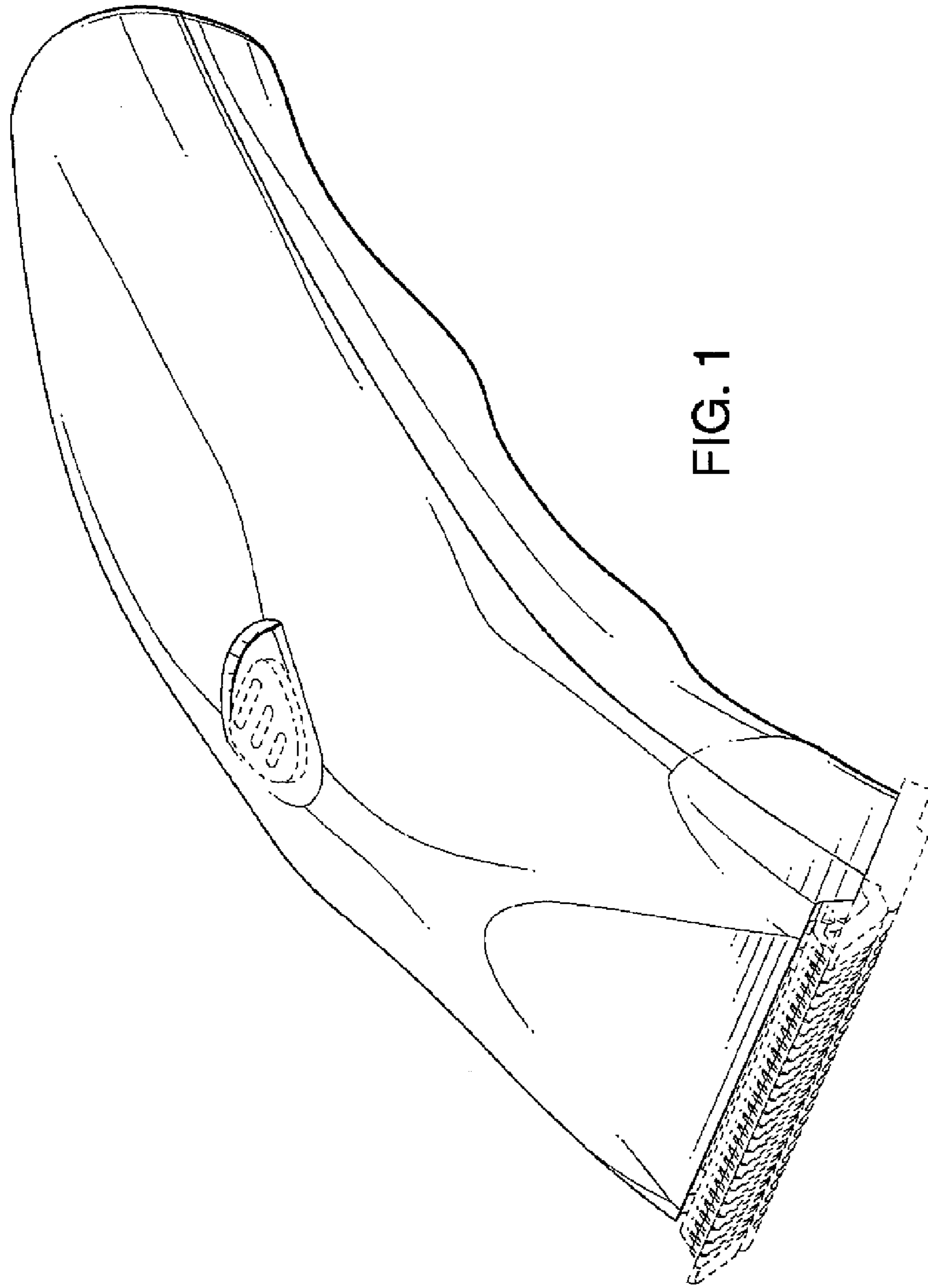


FIG. 1

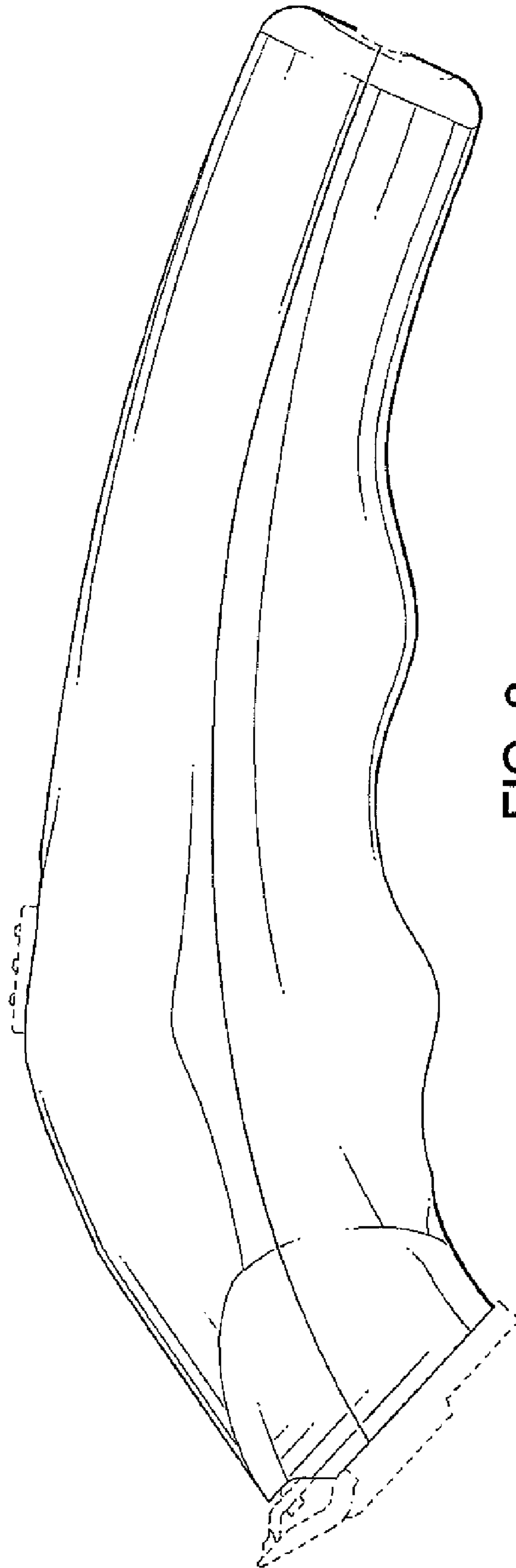


FIG. 2

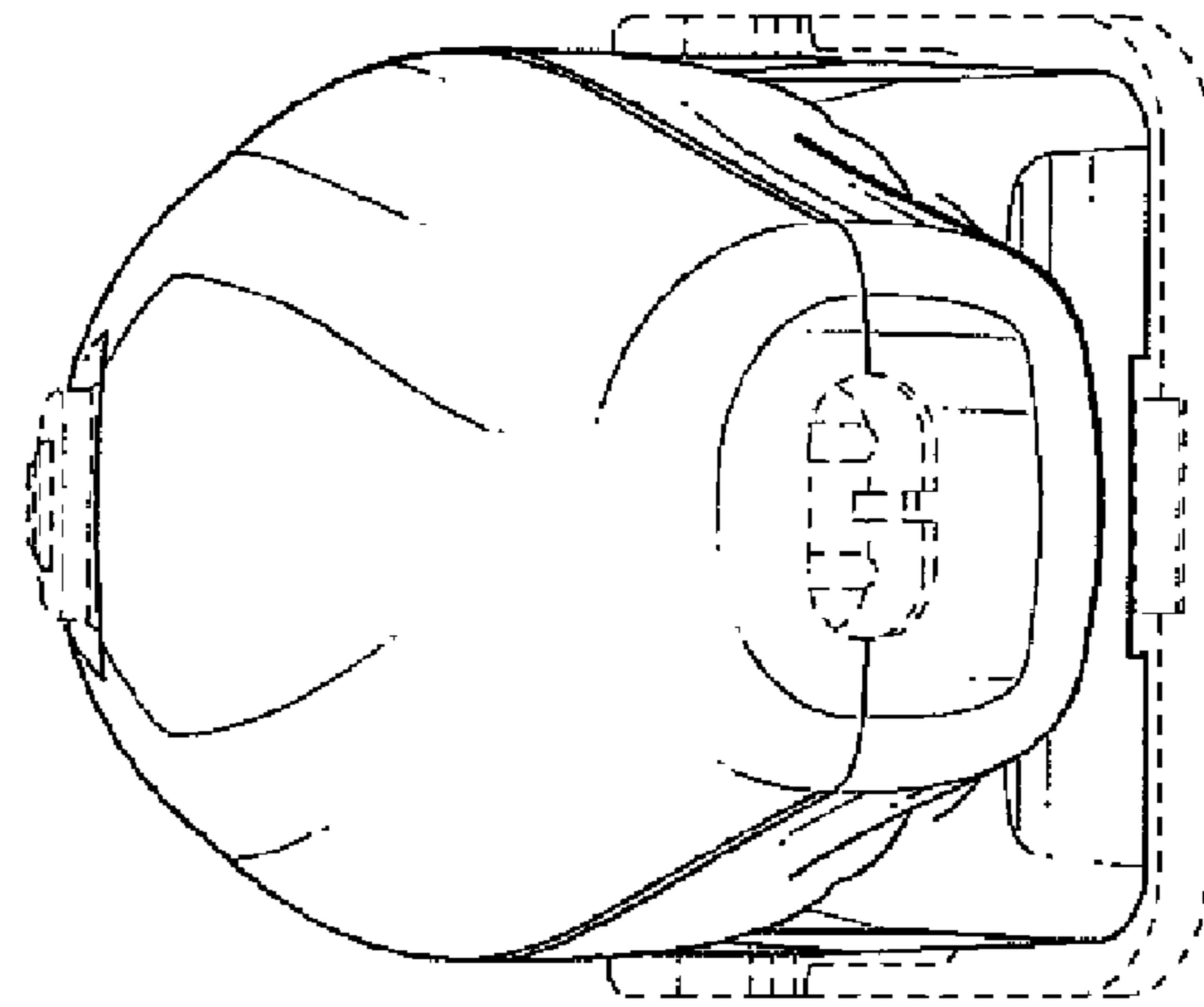


FIG. 4

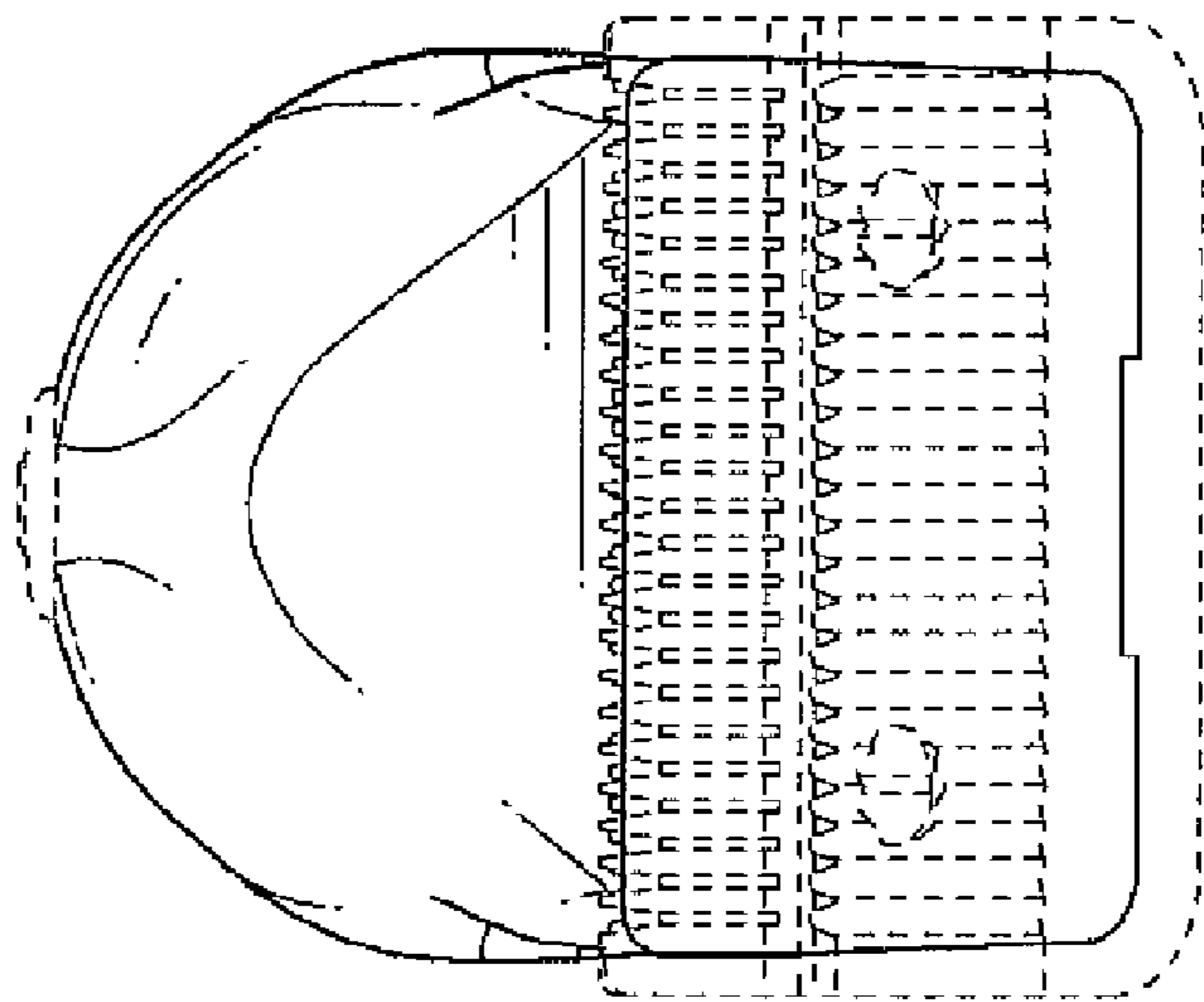


FIG. 3

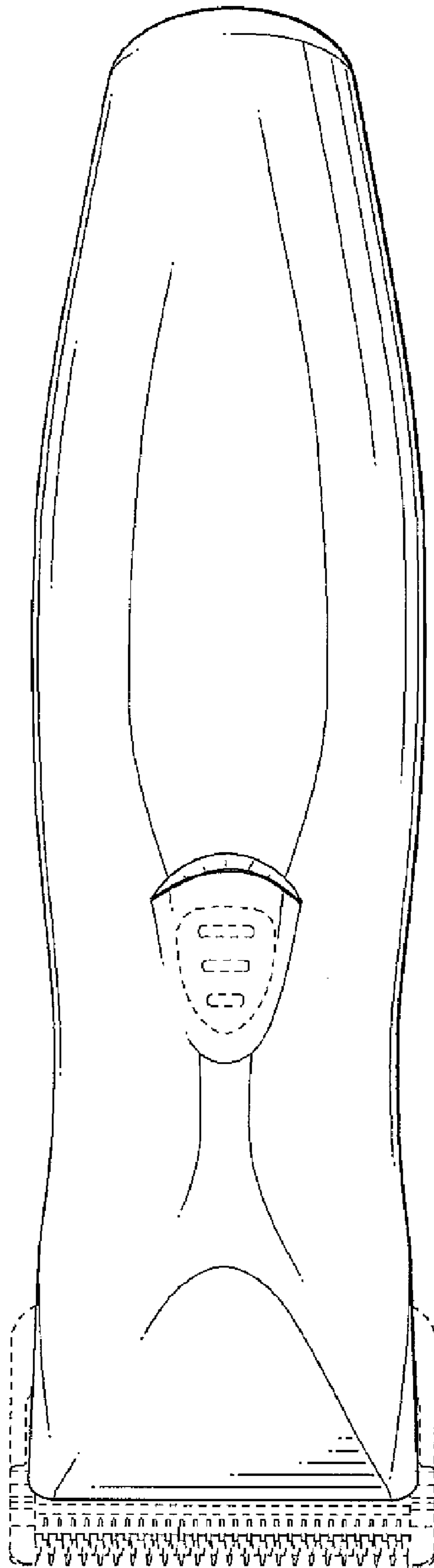


FIG. 5

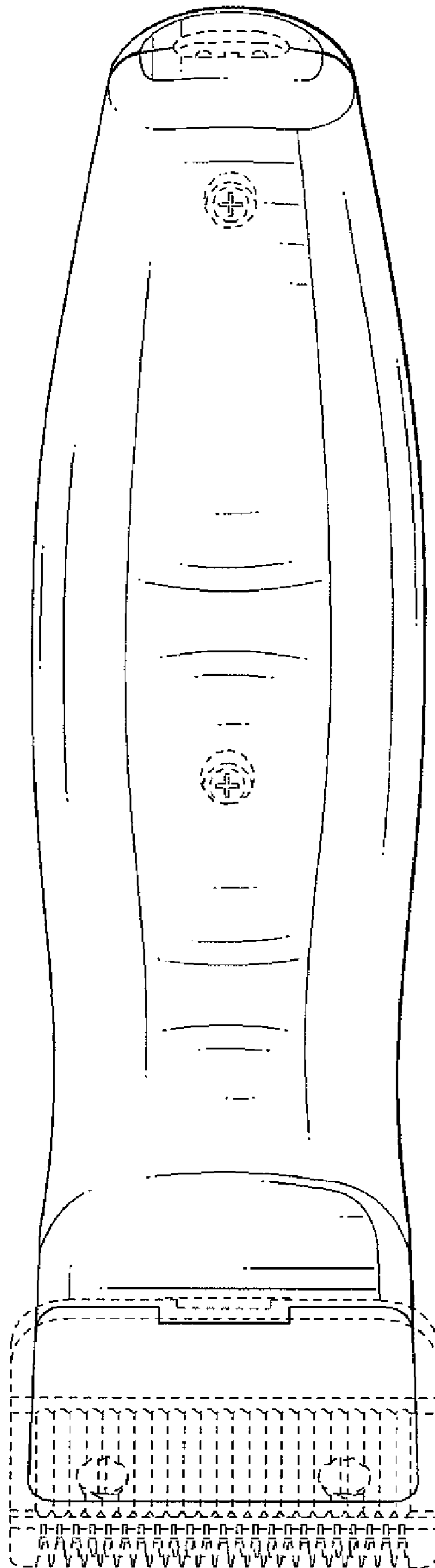


FIG. 6

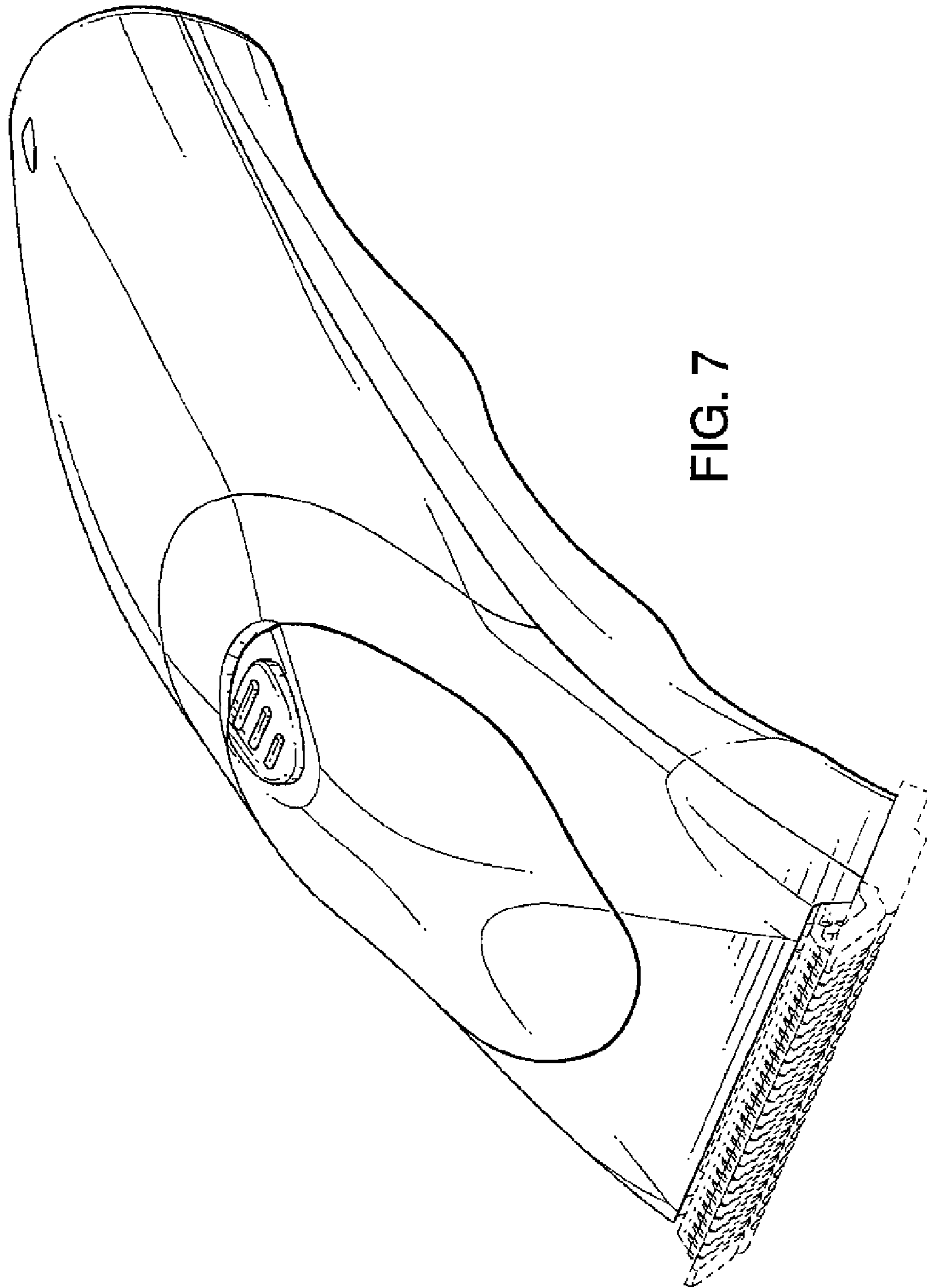


FIG. 7

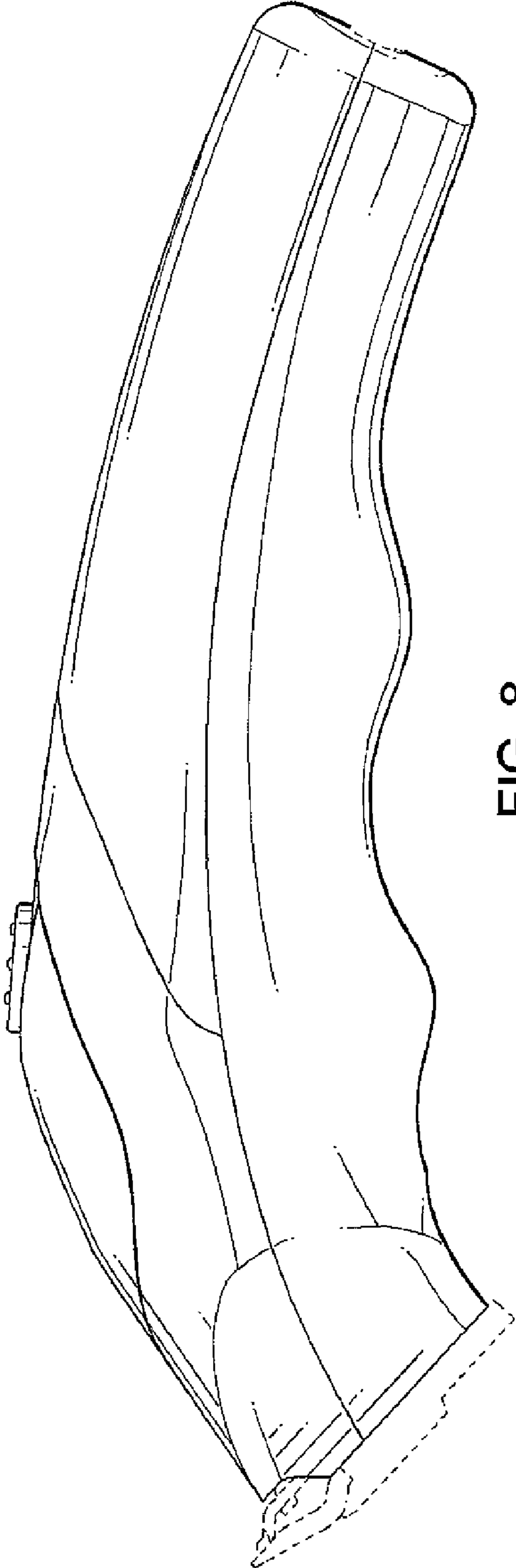


FIG. 8

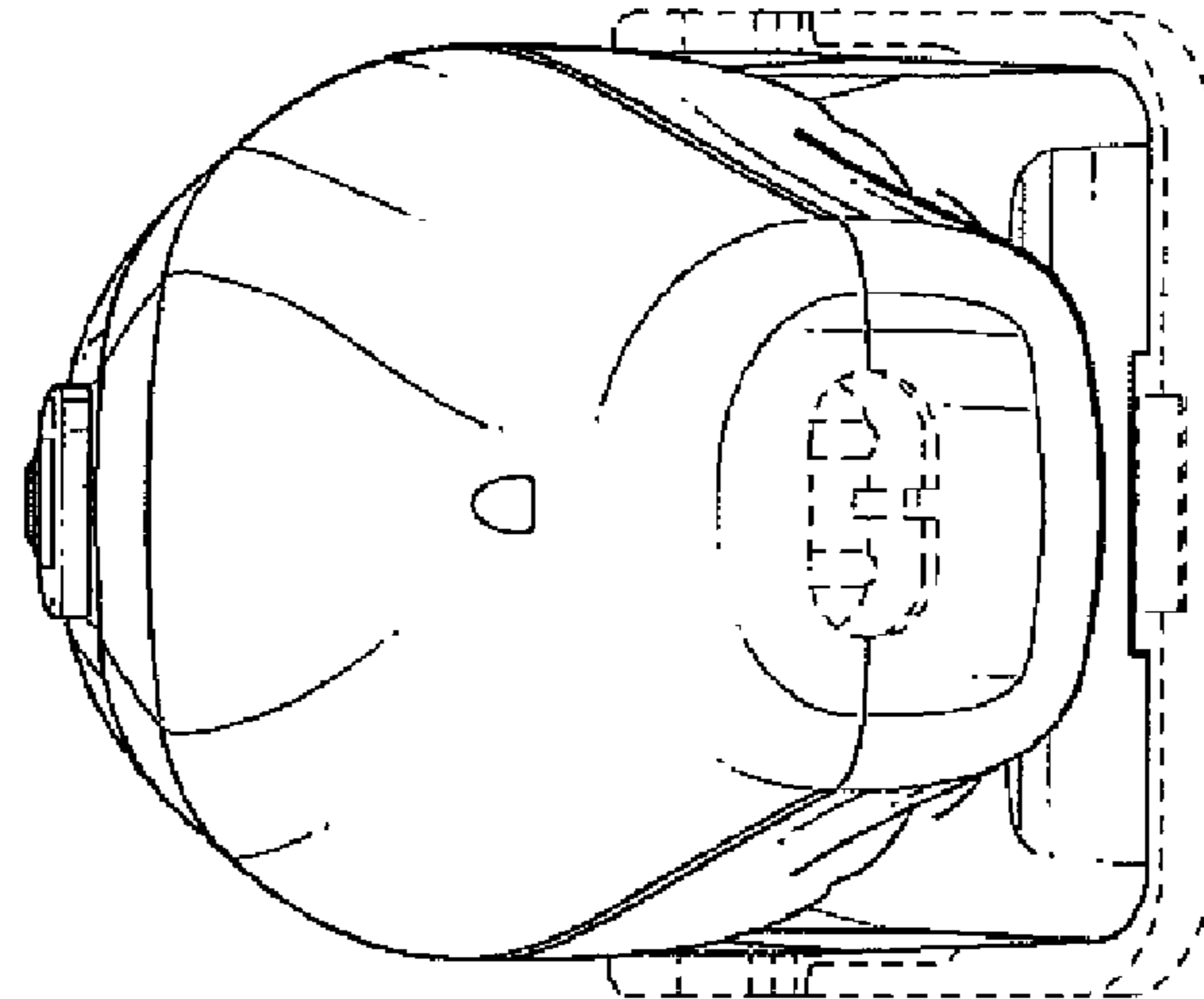


FIG. 9

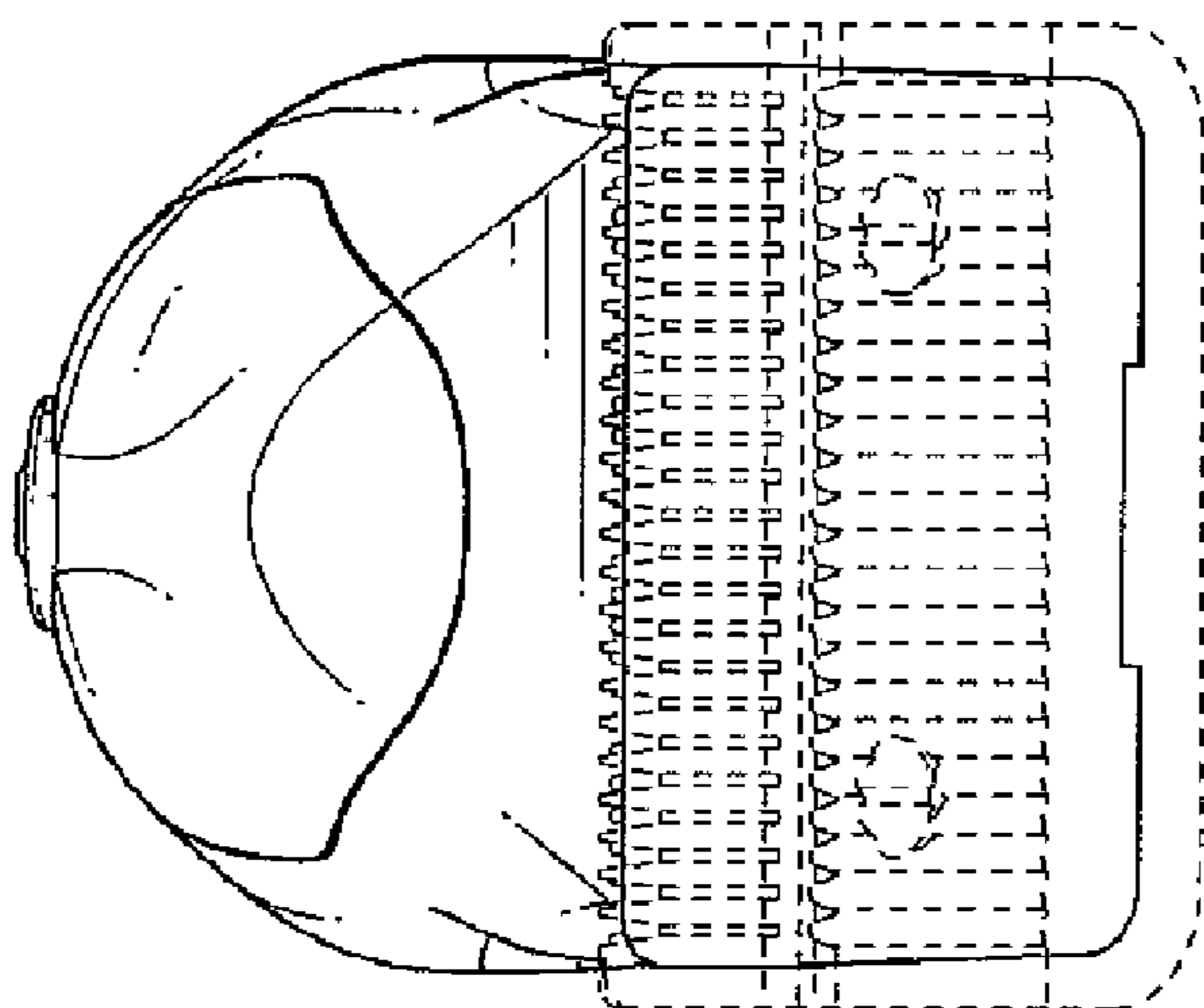


FIG. 10

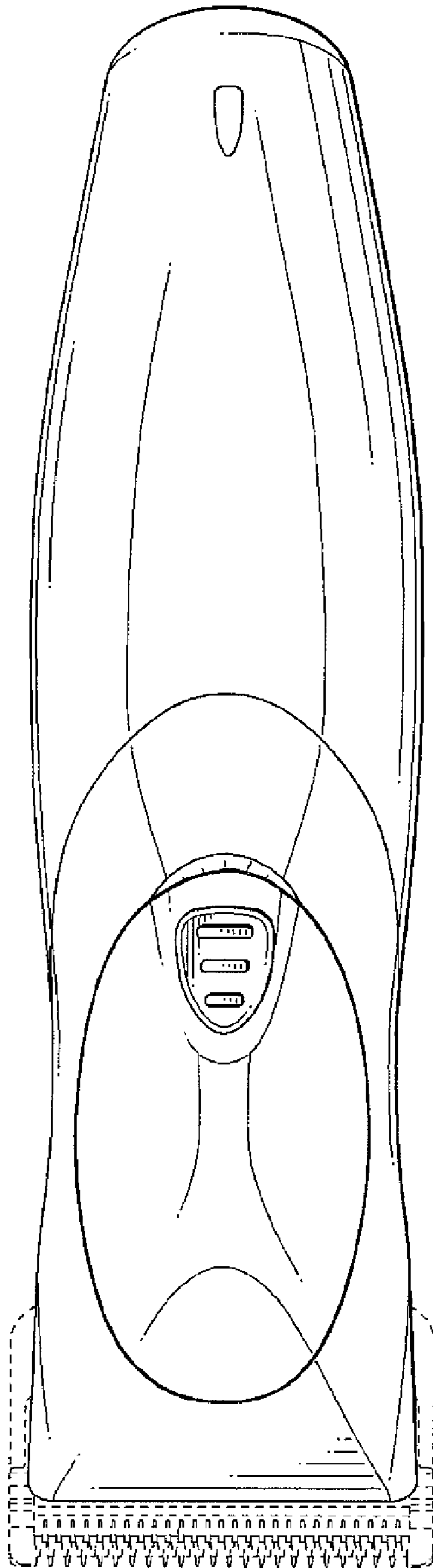


FIG. 11

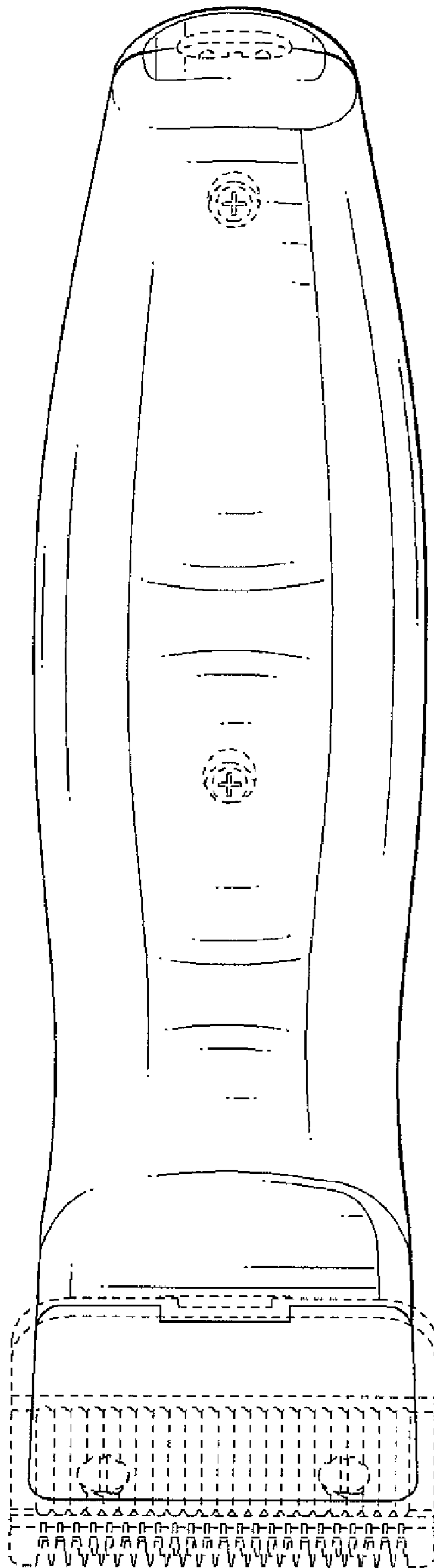


FIG. 12