



US00D573754S

(12) **United States Design Patent**
Kamemura

(10) **Patent No.:** **US D573,754 S**
(45) **Date of Patent:** **** Jul. 22, 2008**

(54) **COMB**
(76) **Inventor:** **Takayuki Kamemura**, 142 Breton Ave.,
Laval, Quebec (CA) H7N 3L1
(**) **Term:** **14 Years**
(21) **Appl. No.:** **29/287,605**
(22) **Filed:** **Aug. 28, 2007**
(51) **LOC (8) Cl.** **21-03**
(52) **U.S. Cl.** **D28/30; D28/21**
(58) **Field of Classification Search** **D28/7,**
D28/20-22, 30-31; 132/53, 112, 126, 150,
132/208, 219, 216
See application file for complete search history.

6,109,273 A 8/2000 Schleicher
D451,245 S * 11/2001 Harrell D28/25
D459,546 S 6/2002 Meyer et al.
D471,670 S * 3/2003 Kim et al. D28/30
D472,016 S 3/2003 Kim et al.
D509,925 S 9/2005 Morrow
2004/0025897 A1* 2/2004 Menaged et al. 132/150

* cited by examiner

Primary Examiner—Janice E. Seeger
Assistant Examiner—Zenia I Bennett

(57) **CLAIM**

I claim the ornamental design for a comb, as shown.

DESCRIPTION

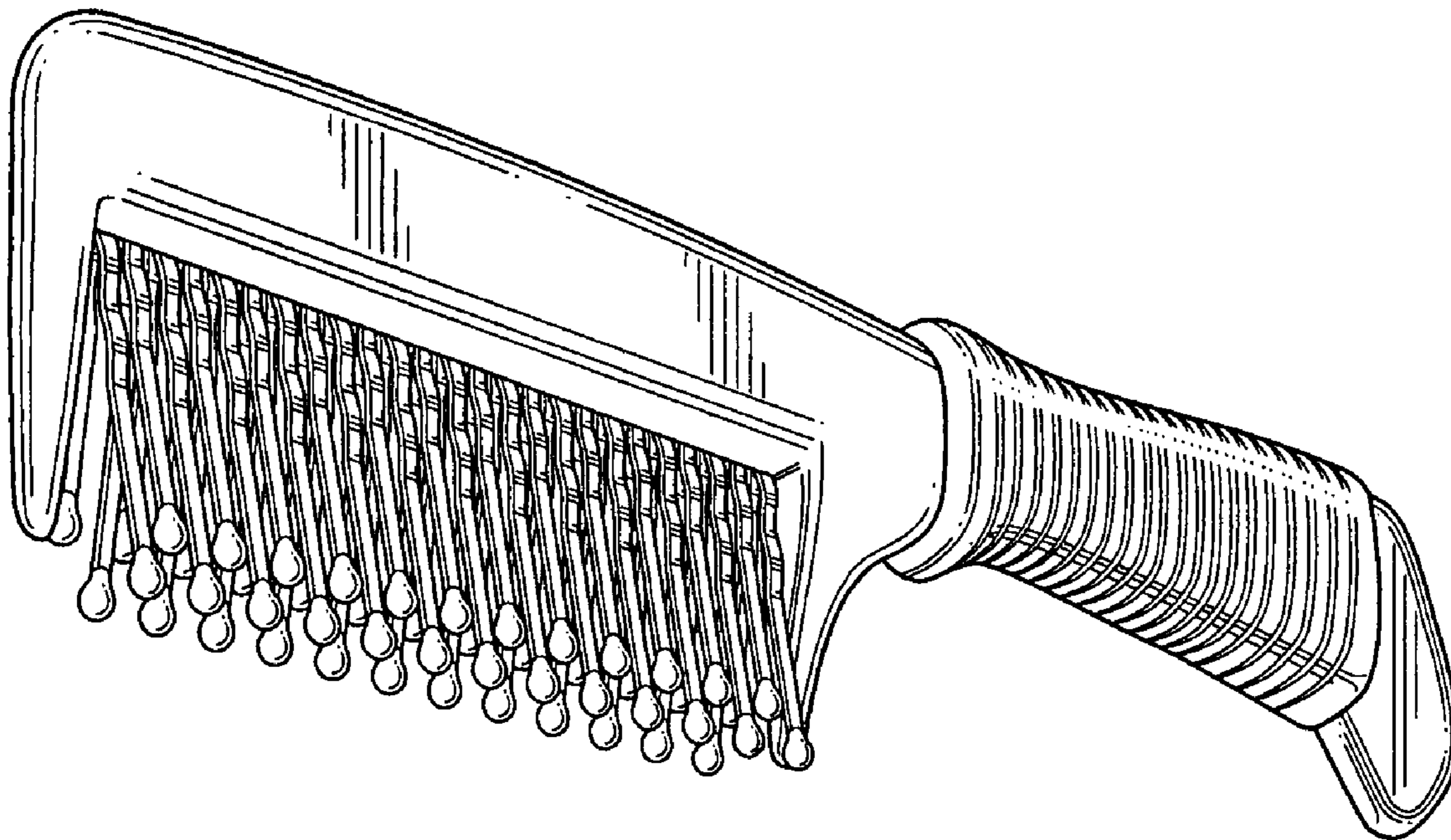
FIG. 1 is a front perspective view showing my new design of my comb,
FIG. 2 is a front view of my comb,
FIG. 3 is an end view of my comb,
FIG. 4 is an end view of my comb,
FIG. 5 is a top view of my comb; and,
FIG. 6 is a bottom view of my comb.

1 Claim, 2 Drawing Sheets

(56) **References Cited**

U.S. PATENT DOCUMENTS

D51,708 S * 1/1918 Myers D28/30
2,175,344 A * 10/1939 Friedman 132/137
2,915,071 A * 12/1959 Watkins 132/213.1
4,013,086 A * 3/1977 Chmela 132/110
D270,194 S * 8/1983 Logan D28/30
D369,435 S * 4/1996 Bozak D28/30
D379,011 S * 4/1997 Young D28/30
D428,529 S * 7/2000 Lucero D28/25



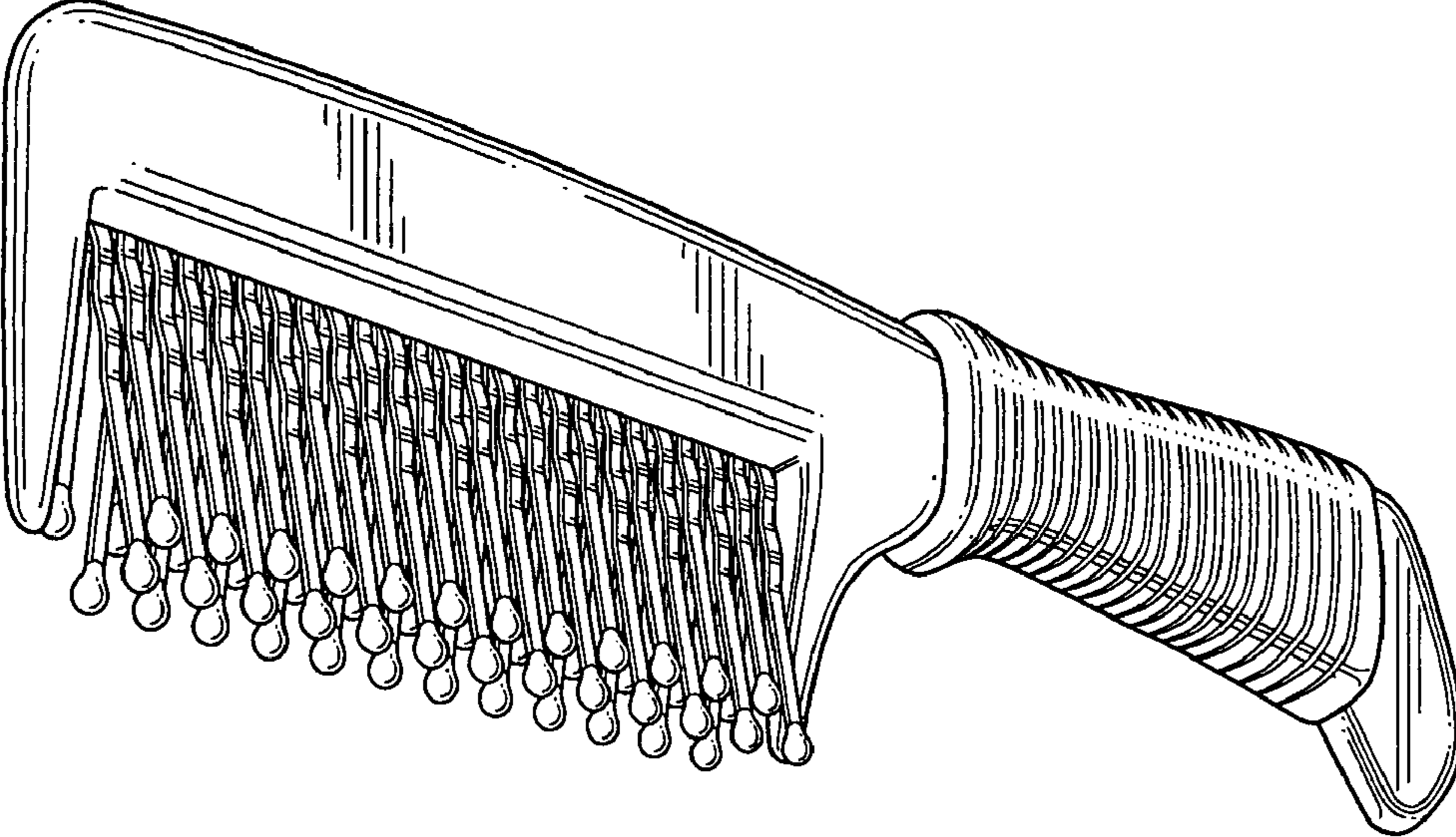


FIG. 1

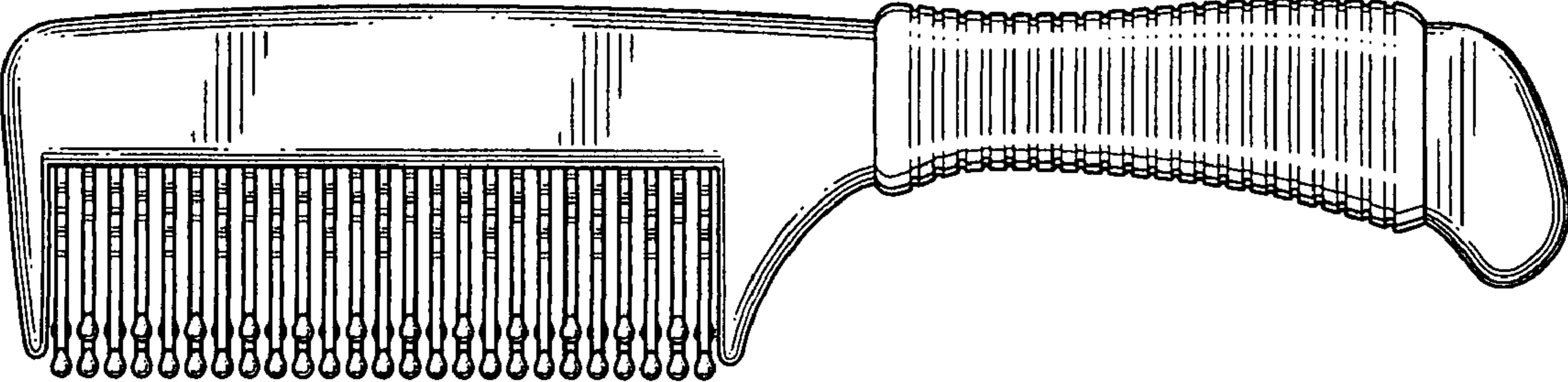


FIG. 2

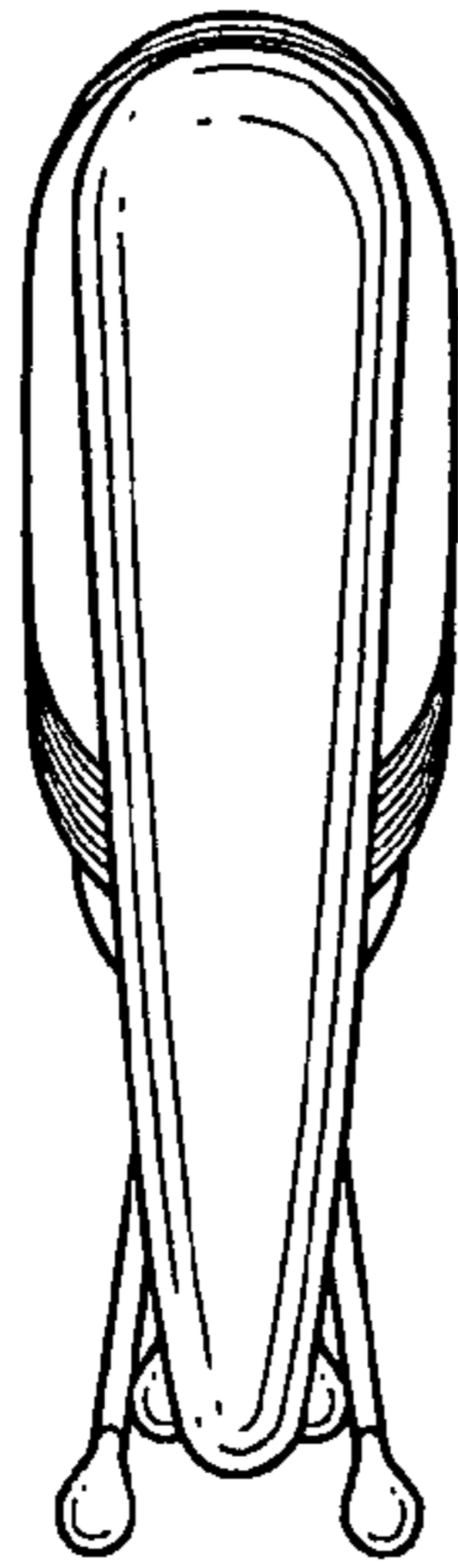


FIG. 3

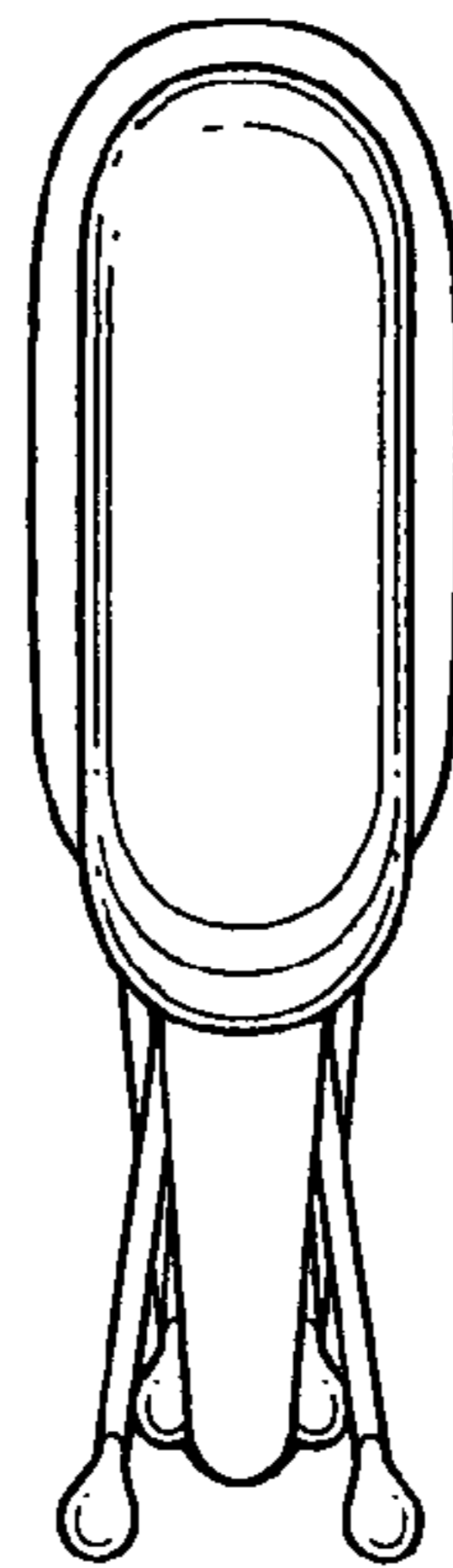


FIG. 4

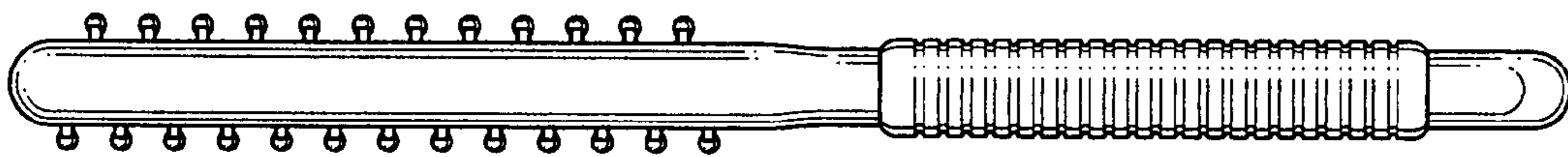


FIG. 5

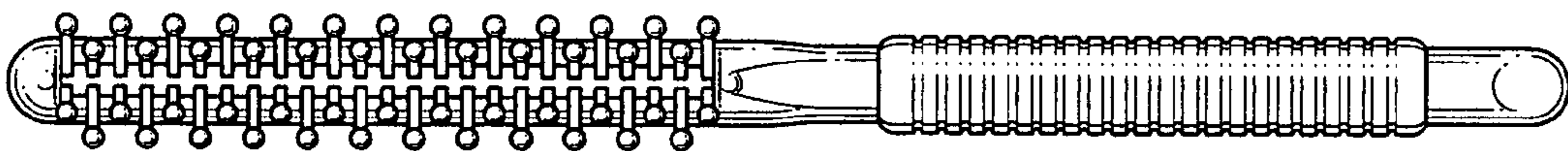


FIG. 6