



US00D573752S

(12) **United States Design Patent**
Gordin et al.

(10) **Patent No.:** **US D573,752 S**
(45) **Date of Patent:** **** Jul. 22, 2008**

- (54) **LIGHTING FIXTURE LONG VISOR**
- (75) Inventors: **Myron K. Gordin**, Oskaloosa, IA (US);
Timothy J. Boyle, Oskaloosa, IA (US)
- (73) Assignee: **Musco Corporation**, Oskaloosa, IA
(US)
- (**) Term: **14 Years**
- (21) Appl. No.: **29/221,783**
- (22) Filed: **Jan. 18, 2005**
- (51) **LOC (8) Cl.** **26-99**
- (52) **U.S. Cl.** **D26/118**
- (58) **Field of Classification Search** D26/63,
D26/134, 133, 131, 2, 24, 26, 36, 61, 67,
D26/72, 113, 118, 122, 123, 124, 128, 139;
362/518, 512, 350, 348, 346, 398, 397, 298,
362/297, 294, 293, 282, 281, 267, 263, 261,
362/257, 217, 514, 289, 341, 347
See application file for complete search history.

(56) **References Cited**

U.S. PATENT DOCUMENTS

- 1,104,330 A * 7/1914 Townsend 362/282
- 1,559,464 A * 10/1925 Sachse 362/293
- 1,600,682 A * 9/1926 McCarley 362/348
- 1,704,894 A * 3/1929 Hendrikson 362/227
- 1,711,479 A * 4/1929 Halvorson, Jr. 362/282
- 1,785,694 A * 12/1930 Day 246/473.3
- D113,444 S * 2/1939 Trippe D26/36
- 2,447,923 A 8/1948 Tuck
- 2,578,451 A * 12/1951 Rex 362/297
- 2,974,435 A * 3/1961 Eschenroeder 40/554
- 3,378,679 A * 4/1968 Trudeau 362/129
- 3,714,409 A * 1/1973 Trudeau 362/140
- 3,780,285 A * 12/1973 Appeldorn et al. 362/311
- D261,061 S * 9/1981 Wiley D26/134
- D261,684 S * 11/1981 Westover D26/63
- D281,355 S * 11/1985 Fraley et al. D26/2
- D295,326 S * 4/1988 Dahlgren D26/63
- 4,760,499 A * 7/1988 Il 362/512
- 4,816,974 A 3/1989 Gordin
- 4,947,303 A 8/1990 Gordin et al.
- 5,012,398 A 4/1991 Jones et al.
- 5,134,557 A * 7/1992 Gordin et al. 362/261

- 5,161,883 A 11/1992 Gordin
- 5,313,379 A * 5/1994 Lemons et al. 362/298
- 5,519,590 A 5/1996 Gordin
- D385,651 S * 10/1997 Stevens et al. D26/133
- 5,707,142 A 1/1998 Gordin
- 5,730,521 A * 3/1998 Spink et al. 362/217
- 5,856,721 A 1/1999 Gordin
- 5,860,733 A 1/1999 Stone
- D432,693 S * 10/2000 Wachter et al. D26/63
- D432,708 S * 10/2000 Wachter et al. D26/118
- 6,203,176 B1 3/2001 Gordin
- D452,027 S * 12/2001 Mashevsky D28/63
- 6,398,392 B2 6/2002 Gordin
- 6,502,965 B1 * 1/2003 Bradford 362/346
- 2003/0147240 A1 8/2003 Gordin

FOREIGN PATENT DOCUMENTS

EP 1 172 839 A2 1/2002

* cited by examiner

Primary Examiner—Freda S. Nunn

Assistant Examiner—Kevin K Rudzinski

(74) *Attorney, Agent, or Firm*—McKee, Voorhees & Sease,
P.L.C.

(57) **CLAIM**

We claim the ornamental design for a lighting fixture long visor, as shown and described.

DESCRIPTION

FIG. 1 is a front, left side perspective view of the lighting fixture long visor;

FIG. 2 is a top view thereof;

FIG. 3 is a rear, right side perspective view thereof;

FIG. 4 is a left side elevation view thereof;

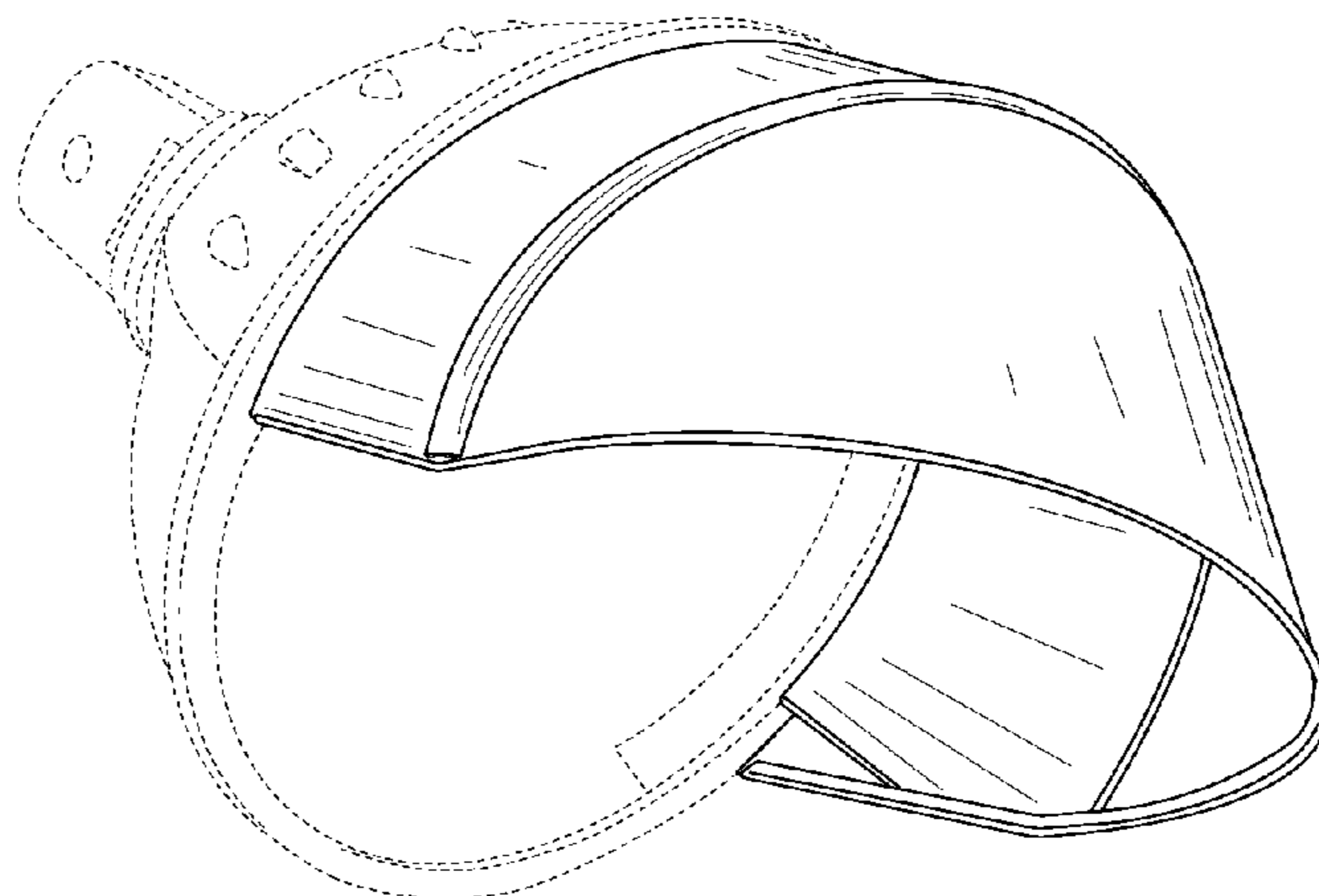
FIG. 5 is a right side elevation view thereof;

FIG. 6 is a front elevation view thereof; and,

FIG. 7 is a bottom view thereof.

The broken line showing is included for the purpose of illustration only and forms no part of the claimed design.

1 Claim, 7 Drawing Sheets



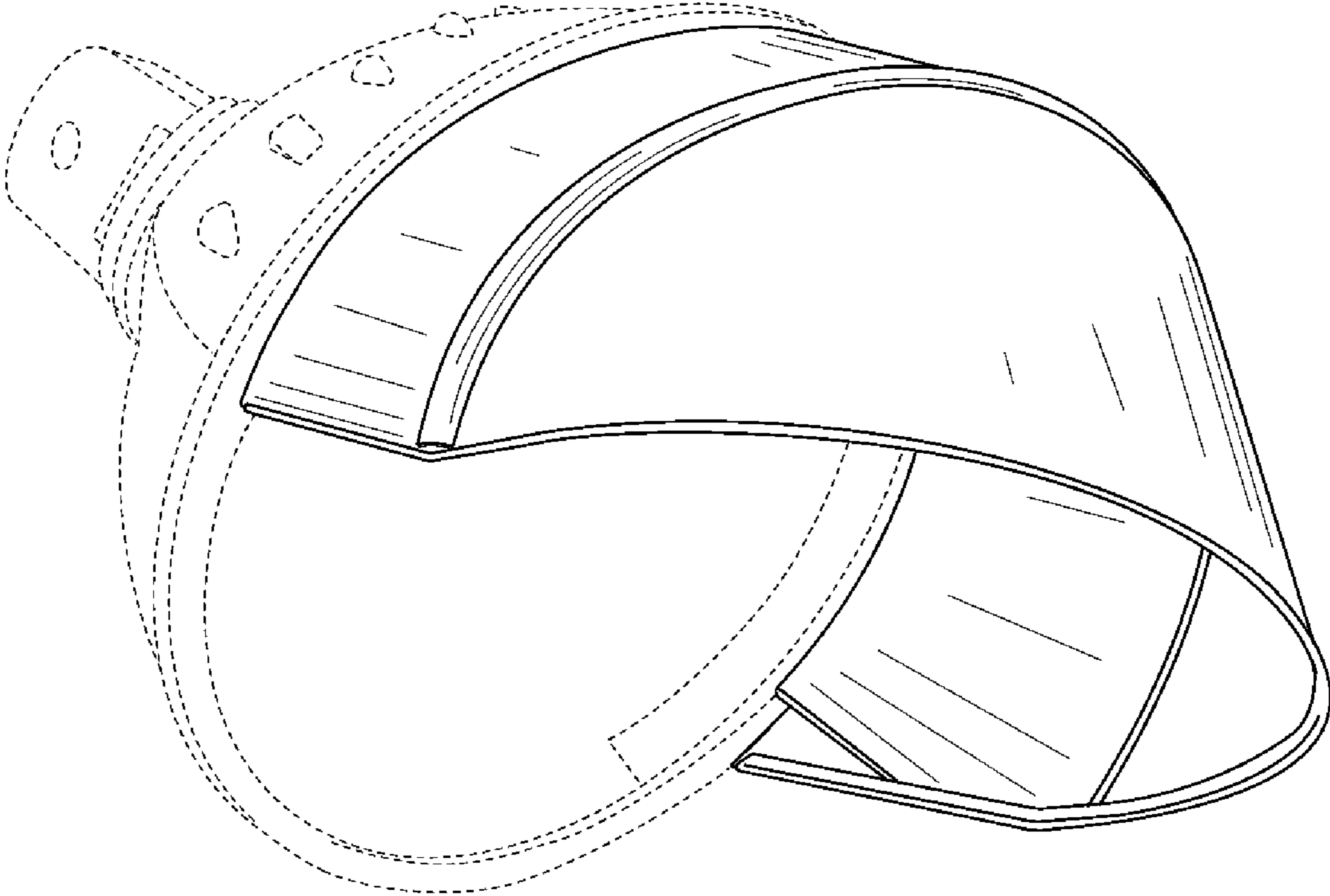


FIG. 1

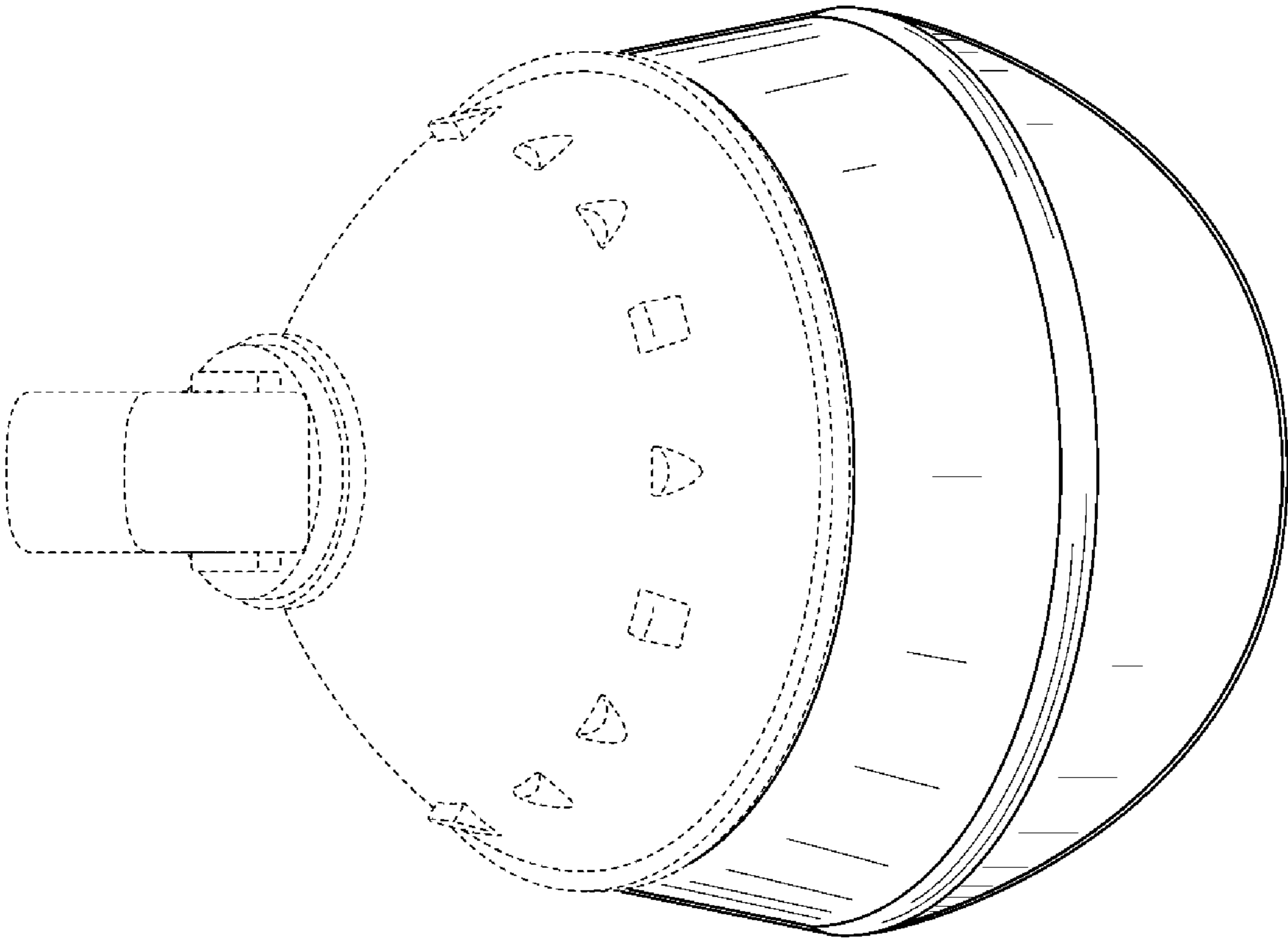


FIG. 2

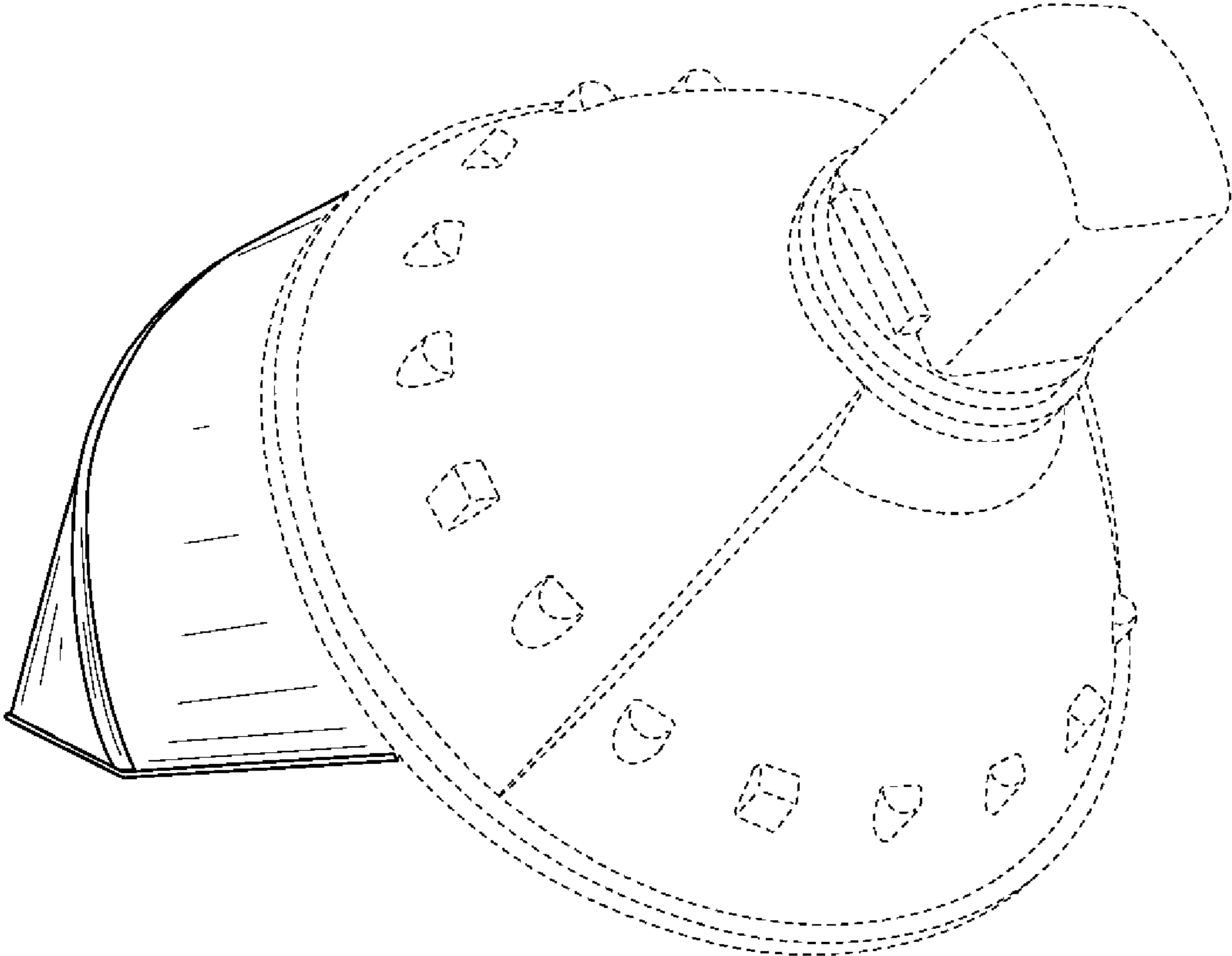


FIG. 3

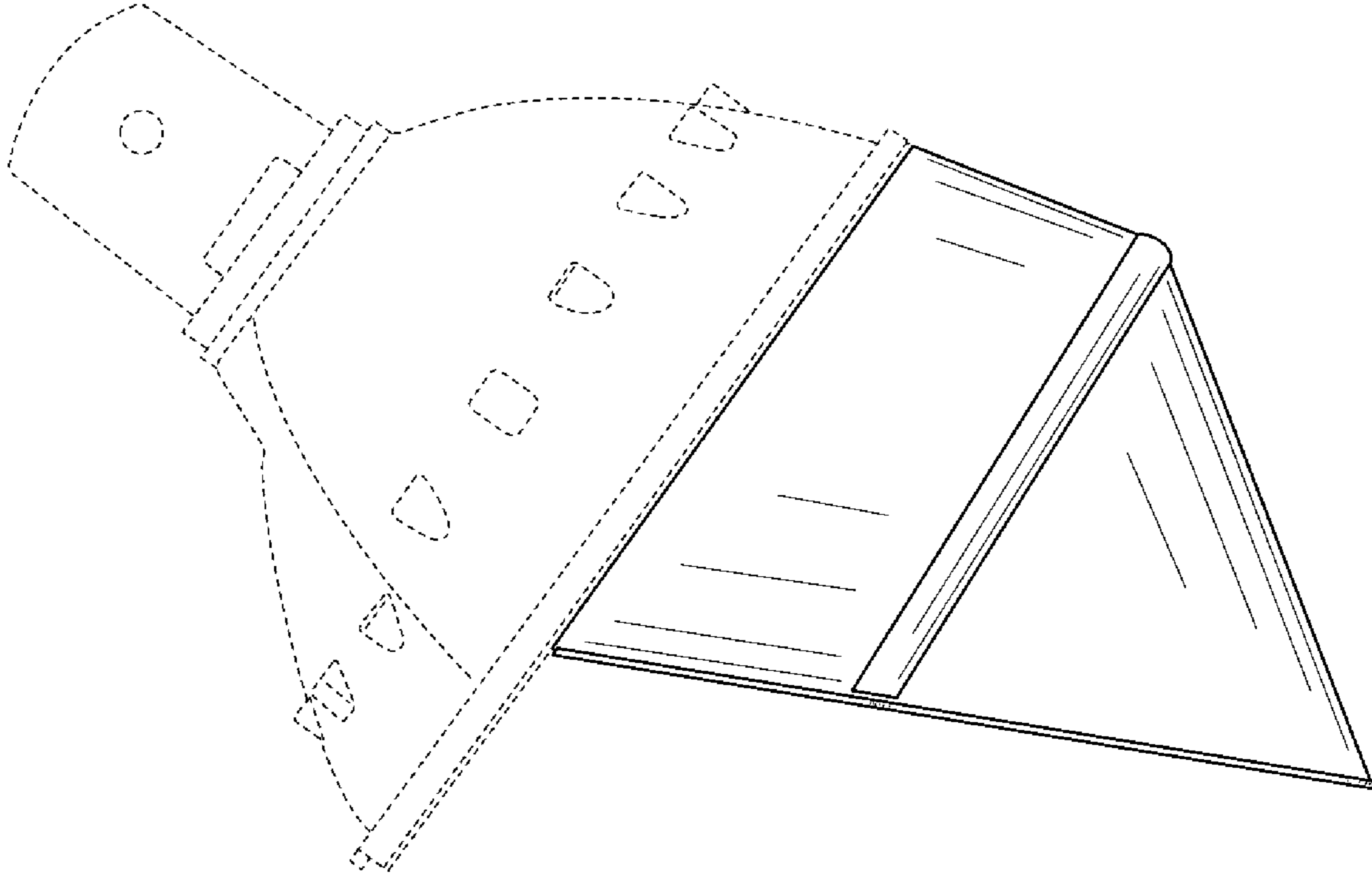


FIG. 4

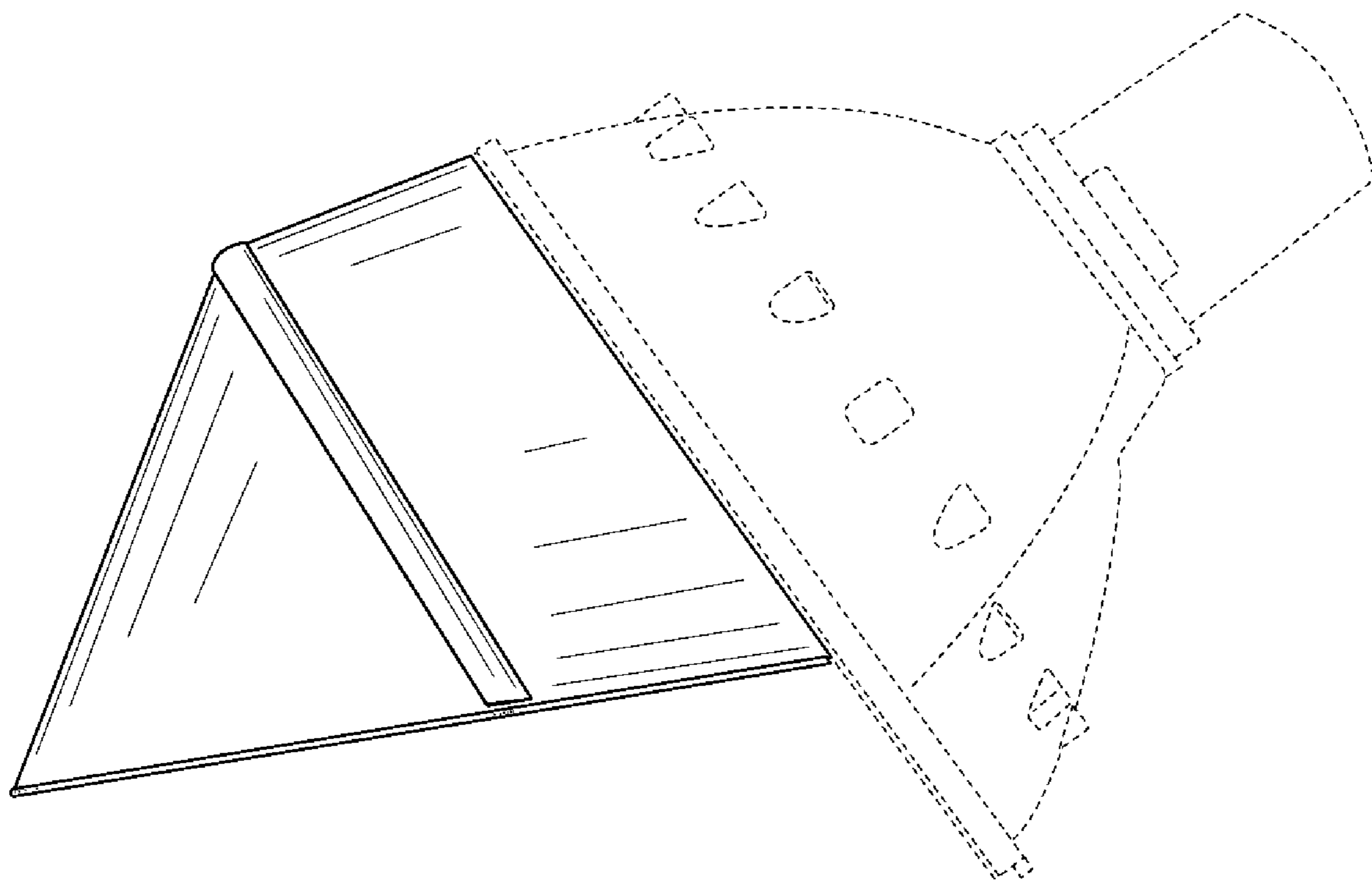


FIG. 5

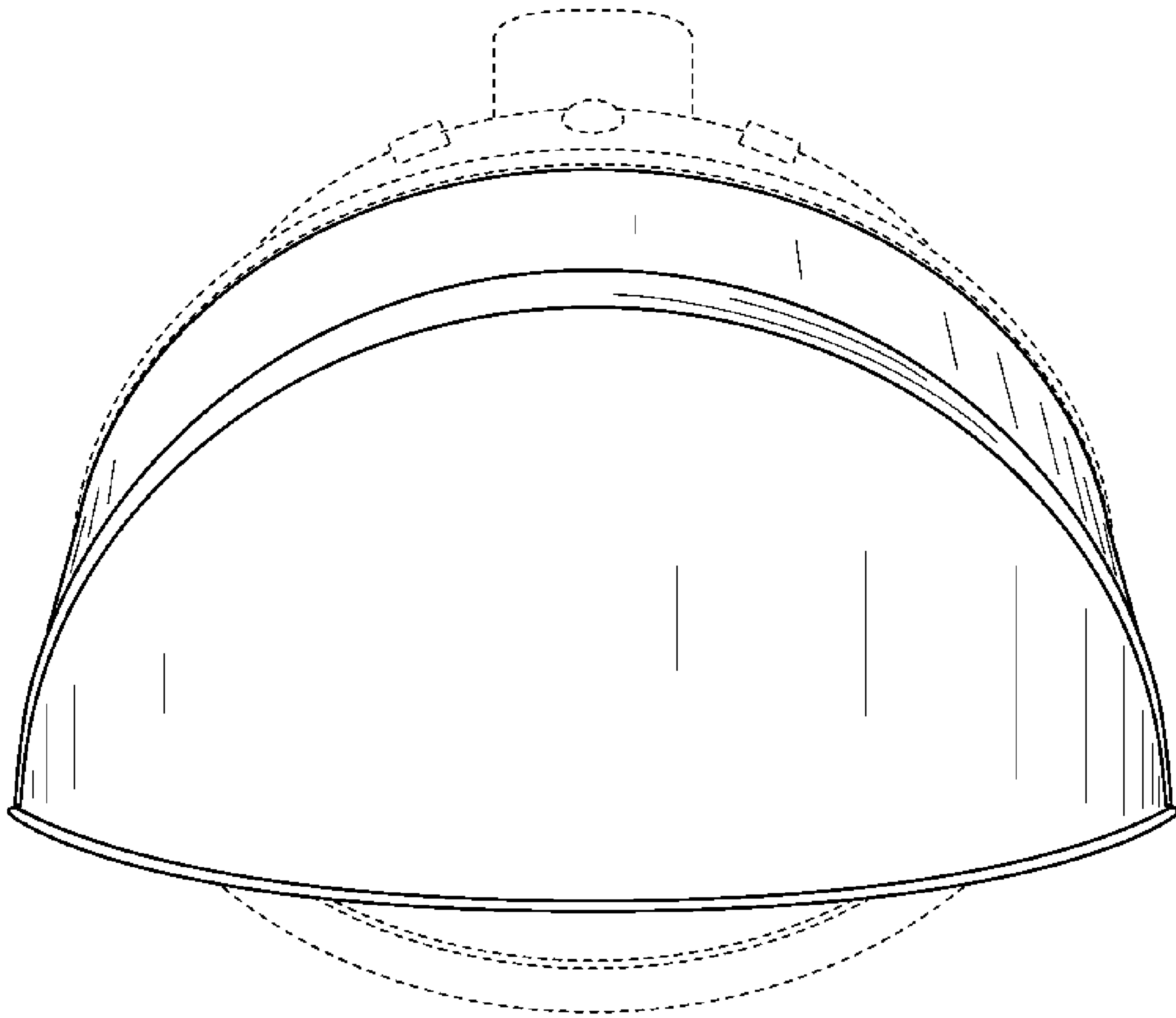


FIG. 6

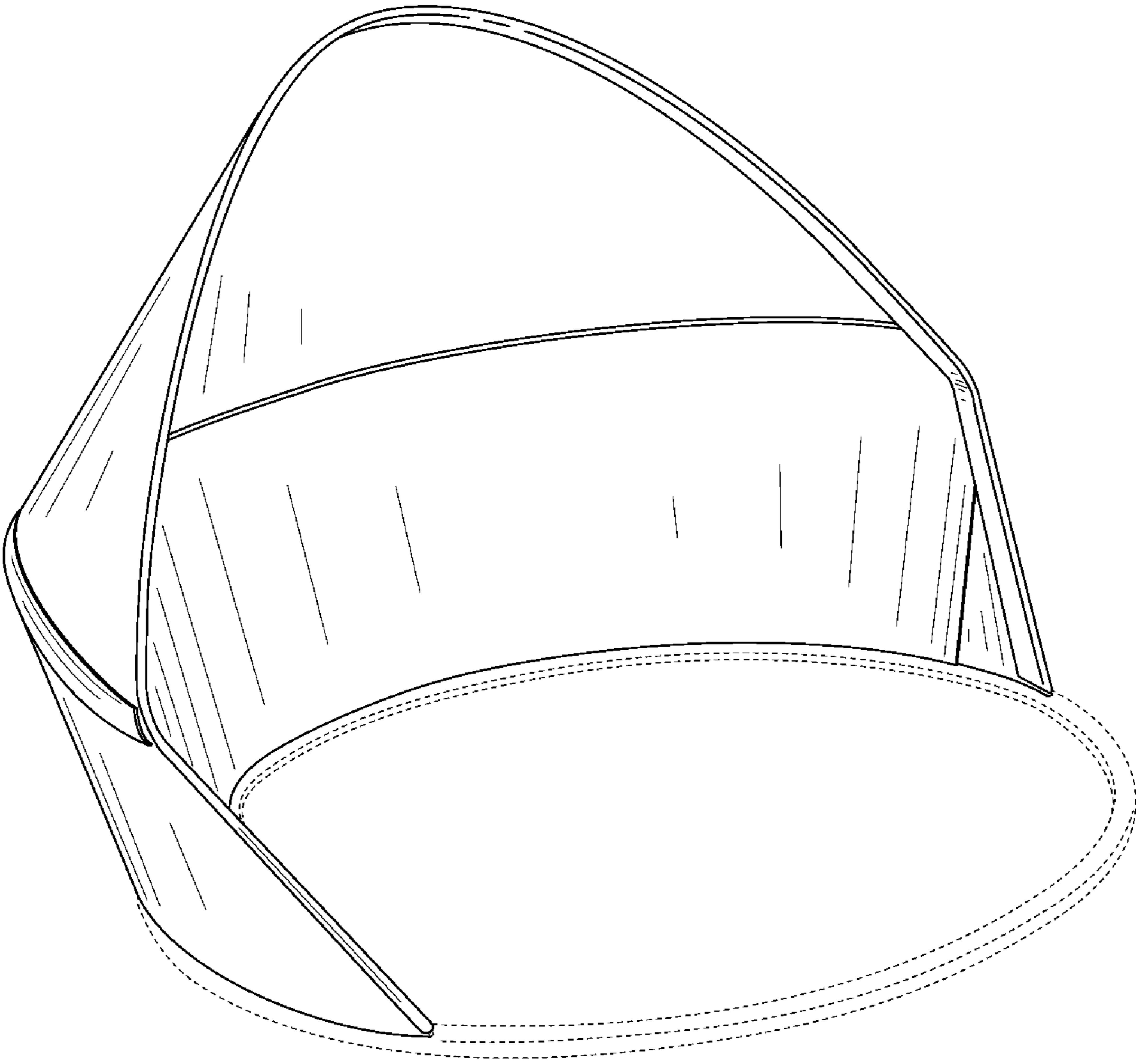


FIG. 7