



US00D573751S

(12) **United States Design Patent**
Citterio

(10) **Patent No.:** **US D573,751 S**
(45) **Date of Patent:** **** Jul. 22, 2008**

(54) **OUTDOOR LAMP**

(75) Inventor: **Antonio Citterio**, Milan (IT)

(73) Assignee: **FLOS S.p.A.**, Bovezzo (Brescia) (IT)

(**) Term: **14 Years**

(21) Appl. No.: **29/295,620**

(22) Filed: **Oct. 2, 2007**

(30) **Foreign Application Priority Data**

Apr. 16, 2007 (EM) 000707757-0009

(51) **LOC (8) Cl.** **26-03**

(52) **U.S. Cl.** **D26/87; D26/71**

(58) **Field of Classification Search** D26/71,
D26/85-92, 118; 362/147, 432, 806, 351,
362/355, 356, 363, 370

See application file for complete search history.

(56) **References Cited**

U.S. PATENT DOCUMENTS

D53,306 S * 5/1919 Laurent D26/102
2,472,624 A * 6/1949 Schwartz 362/414
D217,063 S * 3/1970 Daito D26/62

D221,799 S * 9/1971 Johnson D26/107
D291,604 S * 8/1987 Watson D26/68
D308,261 S * 5/1990 Shemitz D26/87
D527,134 S * 8/2006 Bagen D26/71
7,278,761 B2 * 10/2007 Kuan 362/294

* cited by examiner

Primary Examiner—Clare E Heflin

(74) *Attorney, Agent, or Firm*—McGlew & Tuttle, P.C.

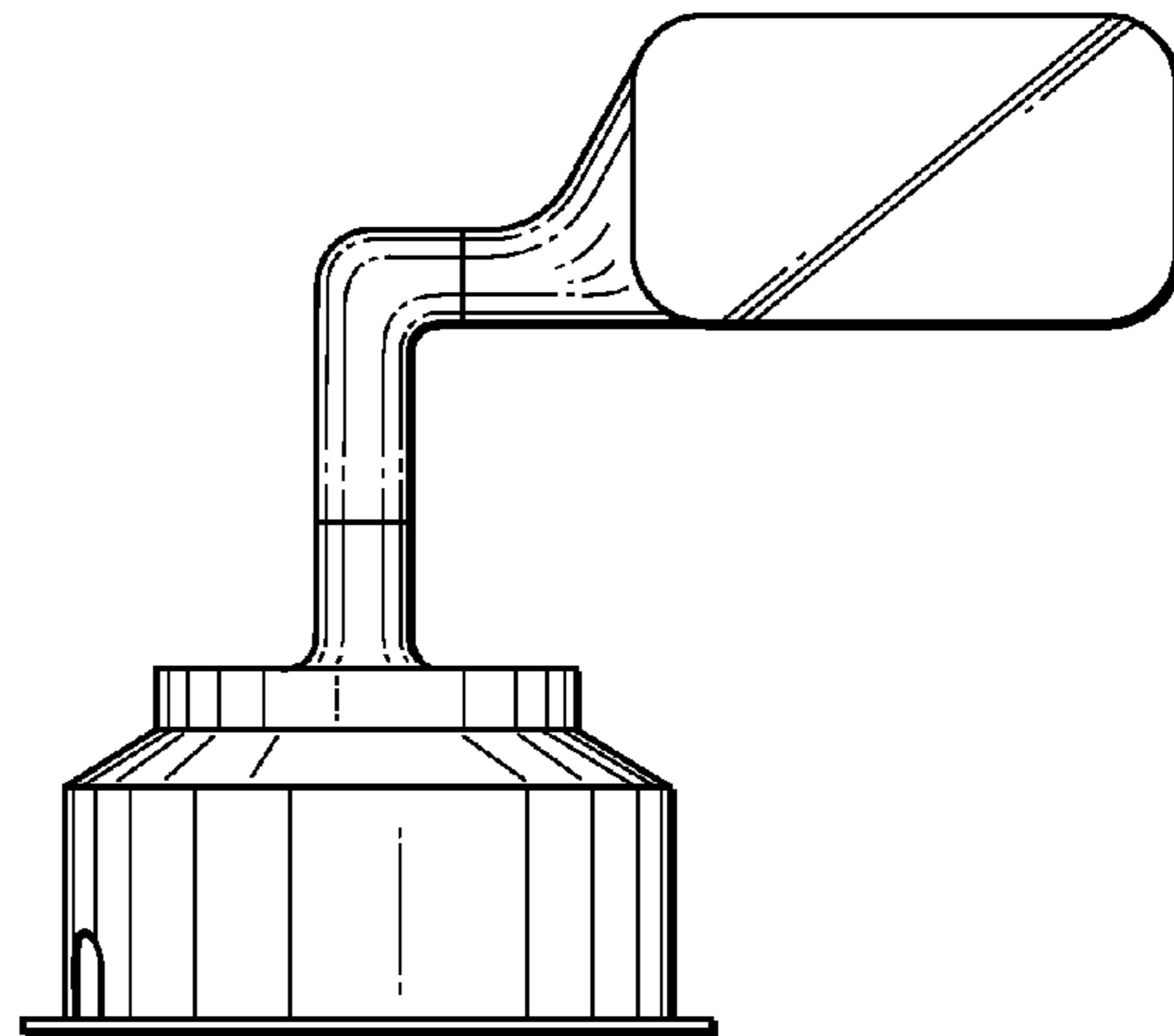
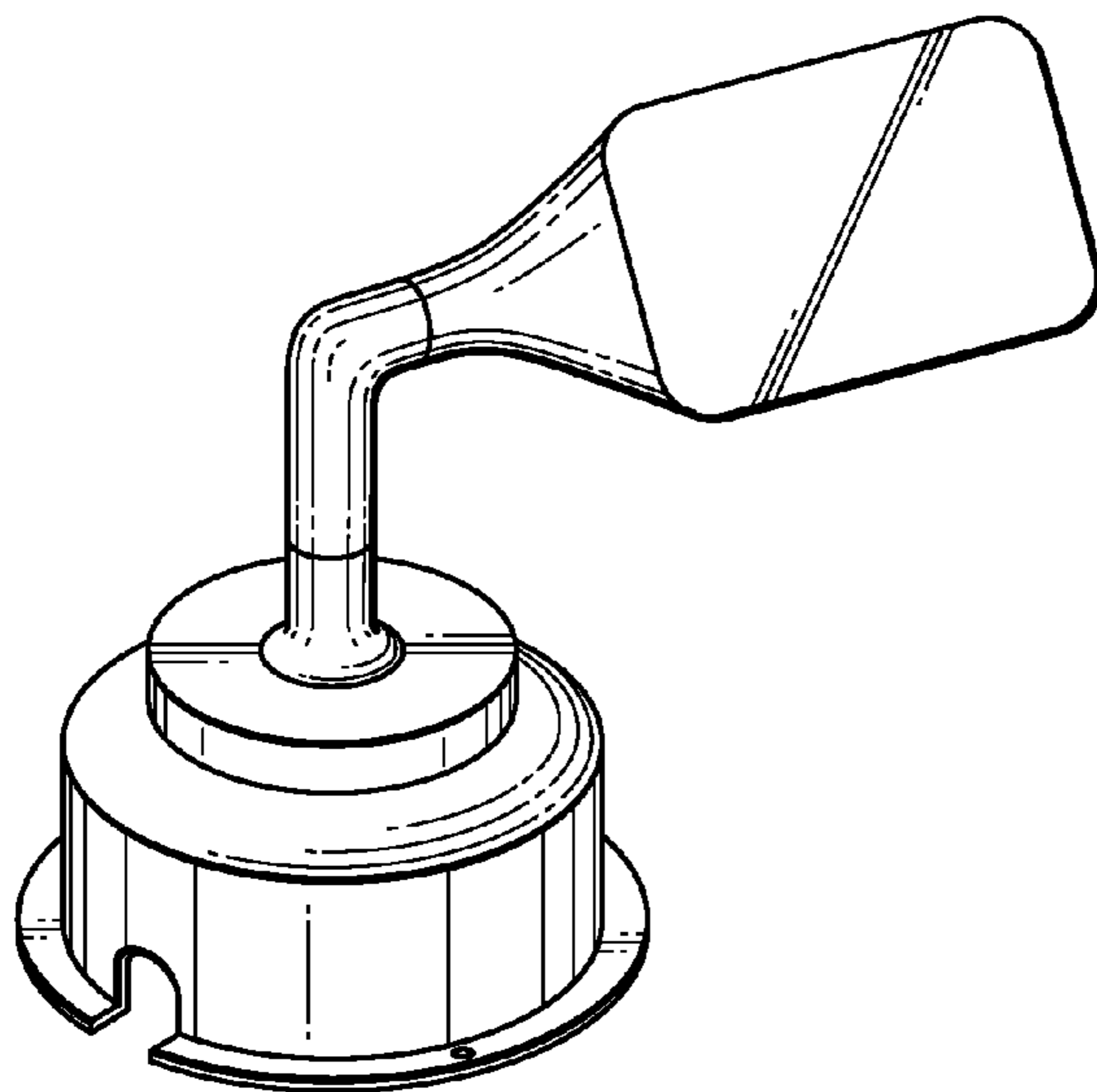
(57) **CLAIM**

The ornamental design for an outdoor lamp, as shown and described.

DESCRIPTION

FIG. 1 is a perspective view of my new outdoor lamp design;
FIG. 2 is a front elevation view thereof;
FIG. 3 is a rear elevation view thereof;
FIG. 4 is a top view thereof;
FIG. 5 is a bottom view thereof;
FIG. 6 is a right side view thereof; and,
FIG. 7 is a left side view thereof.

1 Claim, 3 Drawing Sheets



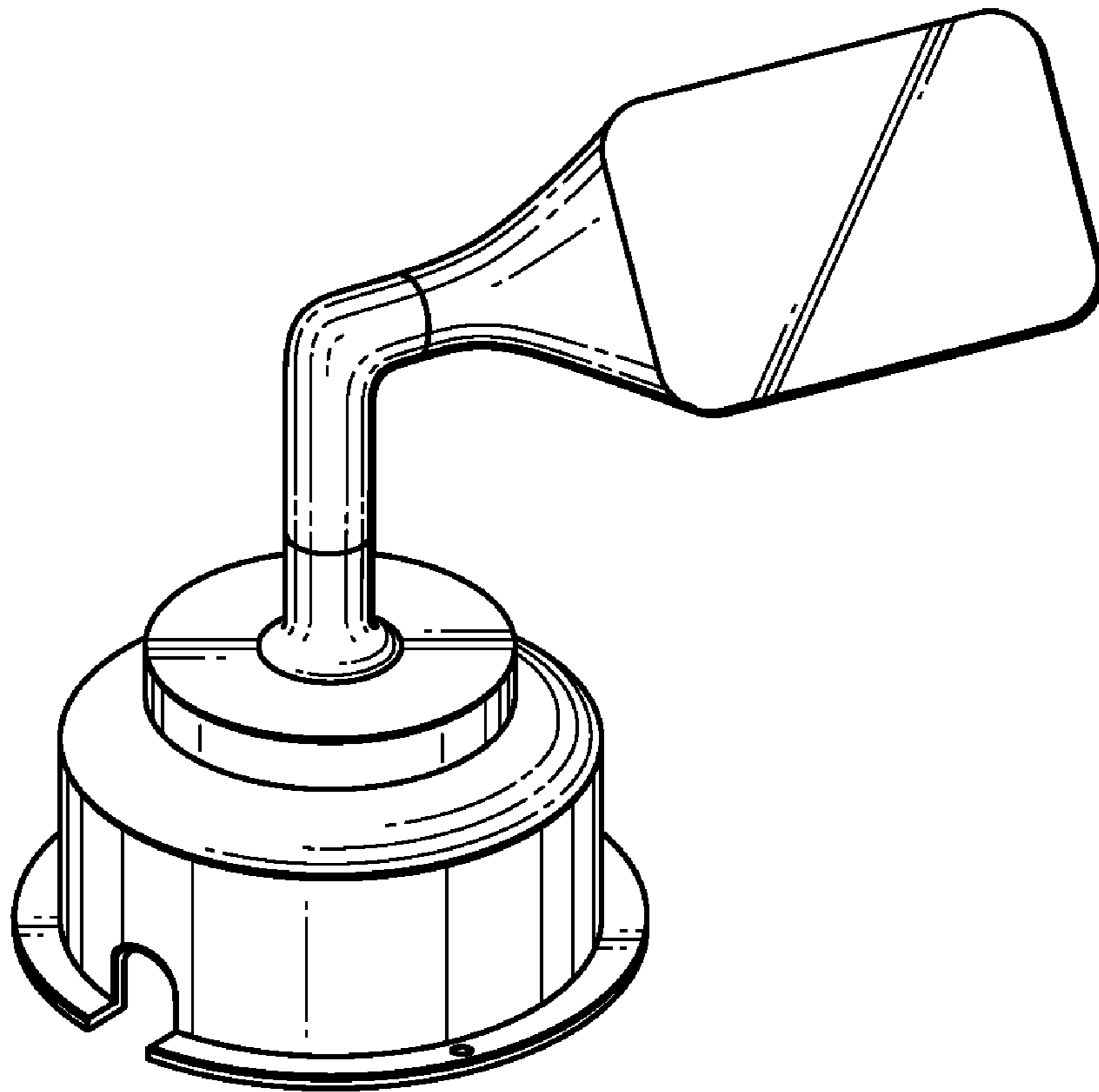
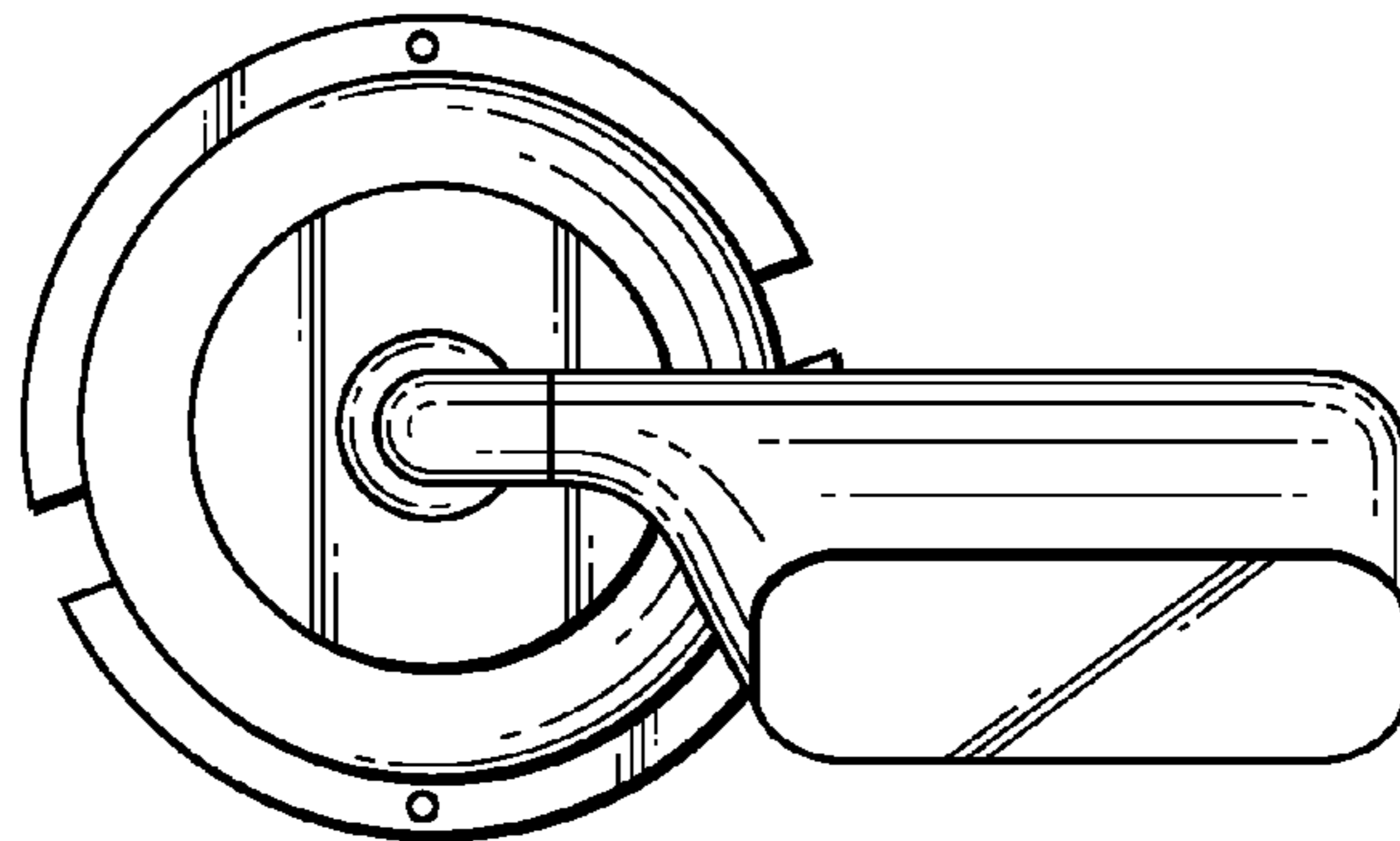
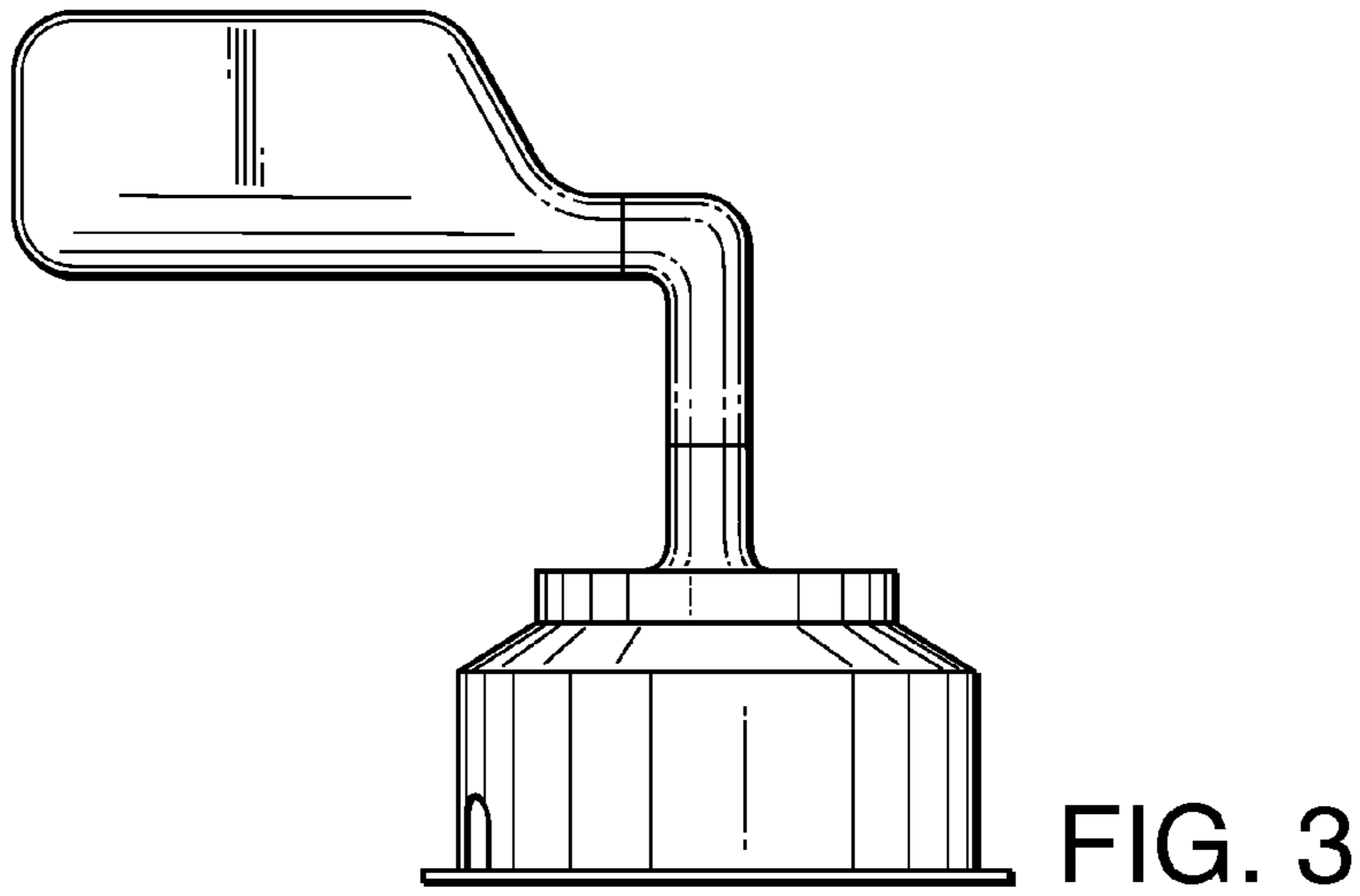
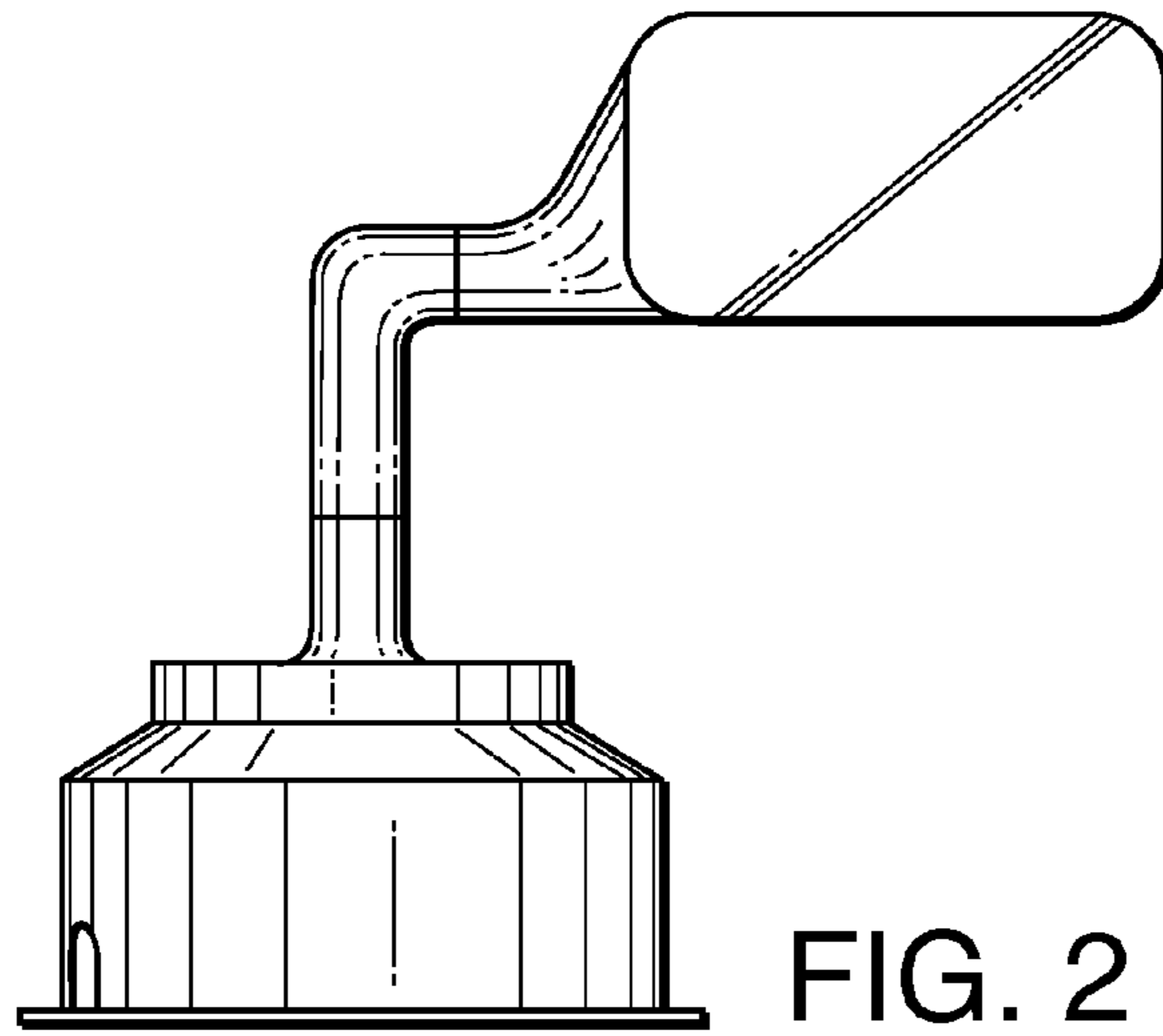


FIG. 1



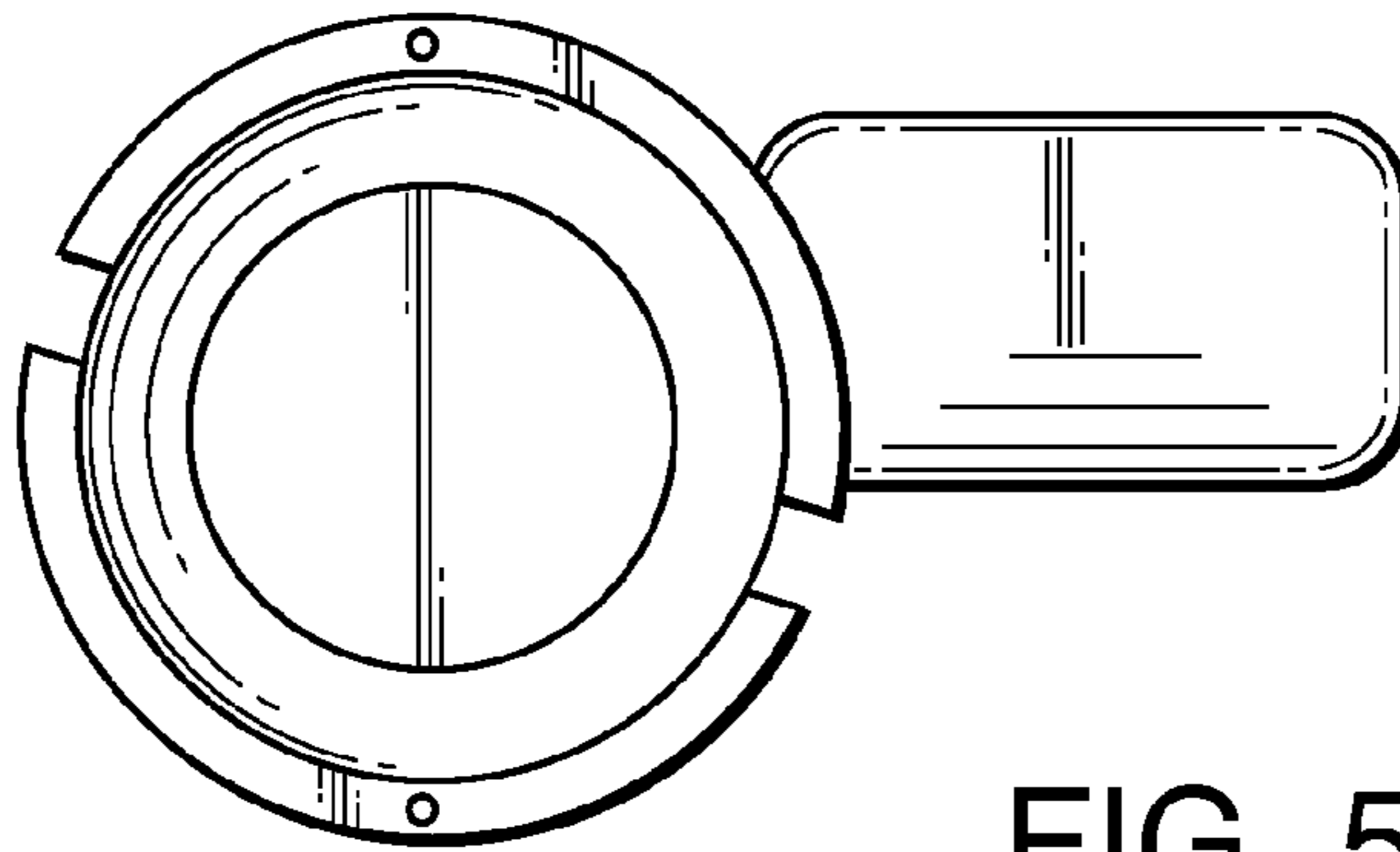


FIG. 5

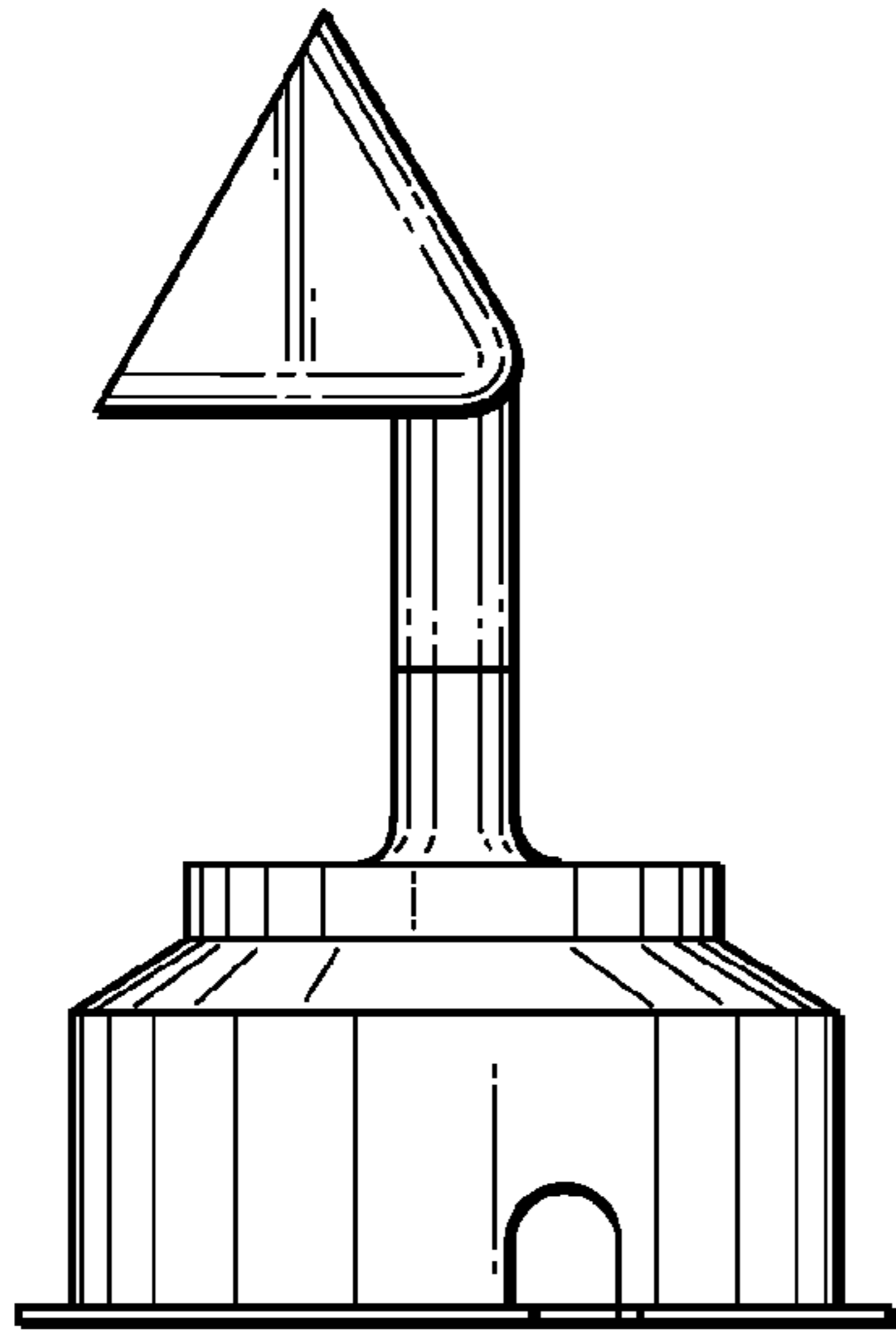


FIG. 6

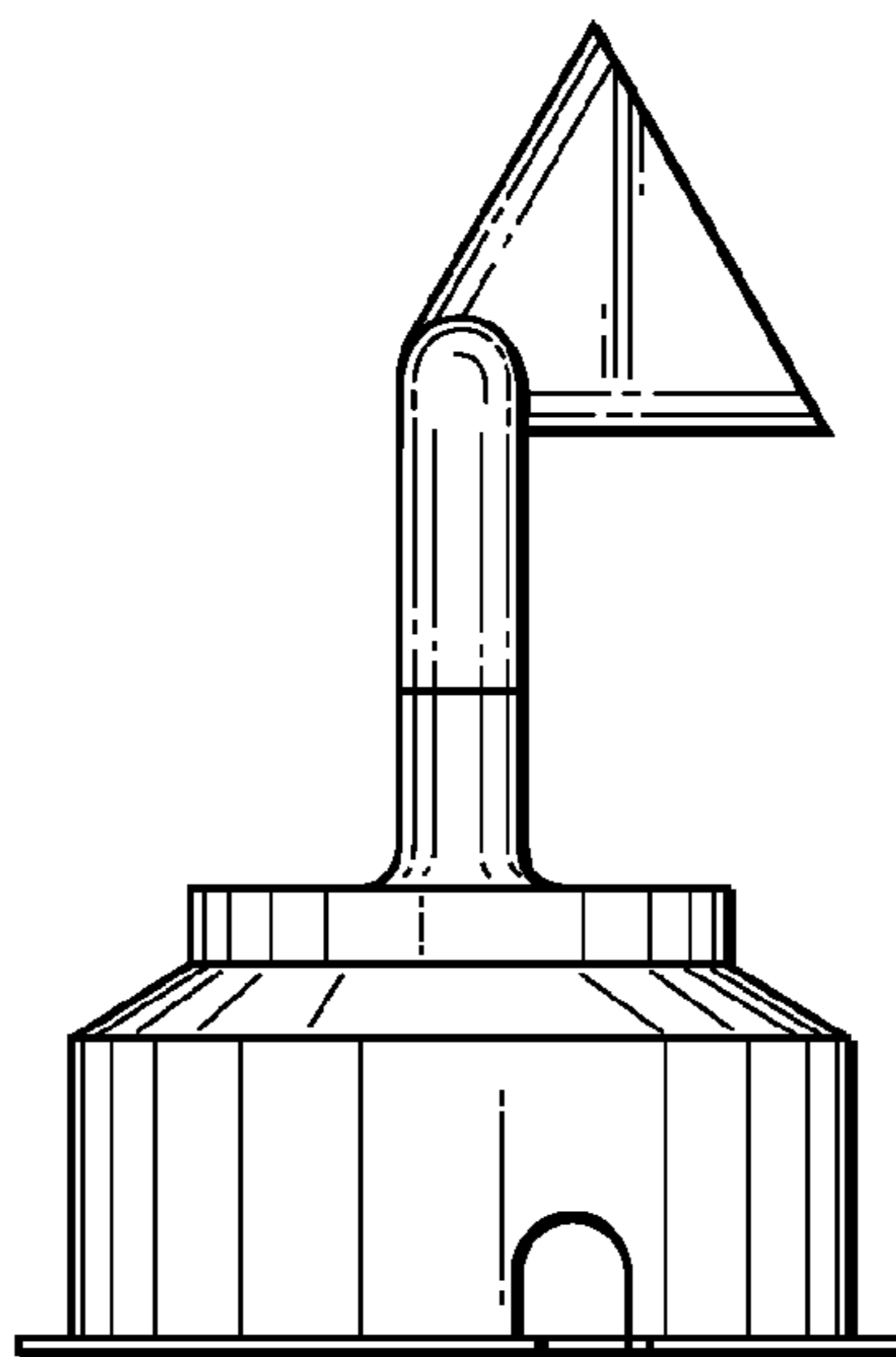


FIG. 7