



US00D573749S

(12) **United States Design Patent**
Hsu

(10) **Patent No.:** **US D573,749 S**
(45) **Date of Patent:** **** Jul. 22, 2008**

(54) **WALL LAMP**

D551,380 S * 9/2007 De'Armond D26/80

(75) Inventor: **Keen Hsu**, Taichung (TW)

* cited by examiner

(73) Assignee: **Dong Guan Bright Yinhuey Lighting Co., Ltd.**, Guang Dong (CN)

Primary Examiner—Clare E Heflin
(74) *Attorney, Agent, or Firm*—Alan Kamrath; Kamrath & Associates PA

(**) Term: **14 Years**

(57) **CLAIM**

(21) Appl. No.: **29/283,695**

The ornamental design for a wall lamp, as shown and described.

(22) Filed: **Aug. 21, 2007**

(51) **LOC (8) Cl.** **26-03**

(52) **U.S. Cl.** **D26/87**

(58) **Field of Classification Search** D26/72,
D26/85-87, 92, 118; 362/147, 432, 806,
362/351, 355, 356, 363, 370

See application file for complete search history.

DESCRIPTION

FIG. 1 is a front elevational view of a wall lamp showing my design;

FIG. 2 is a rear elevational view thereof;

FIG. 3 is a left side elevational view thereof;

FIG. 4 is a right side elevational view thereof;

FIG. 5 is a top plan view thereof; and,

FIG. 6 is a bottom plan view thereof.

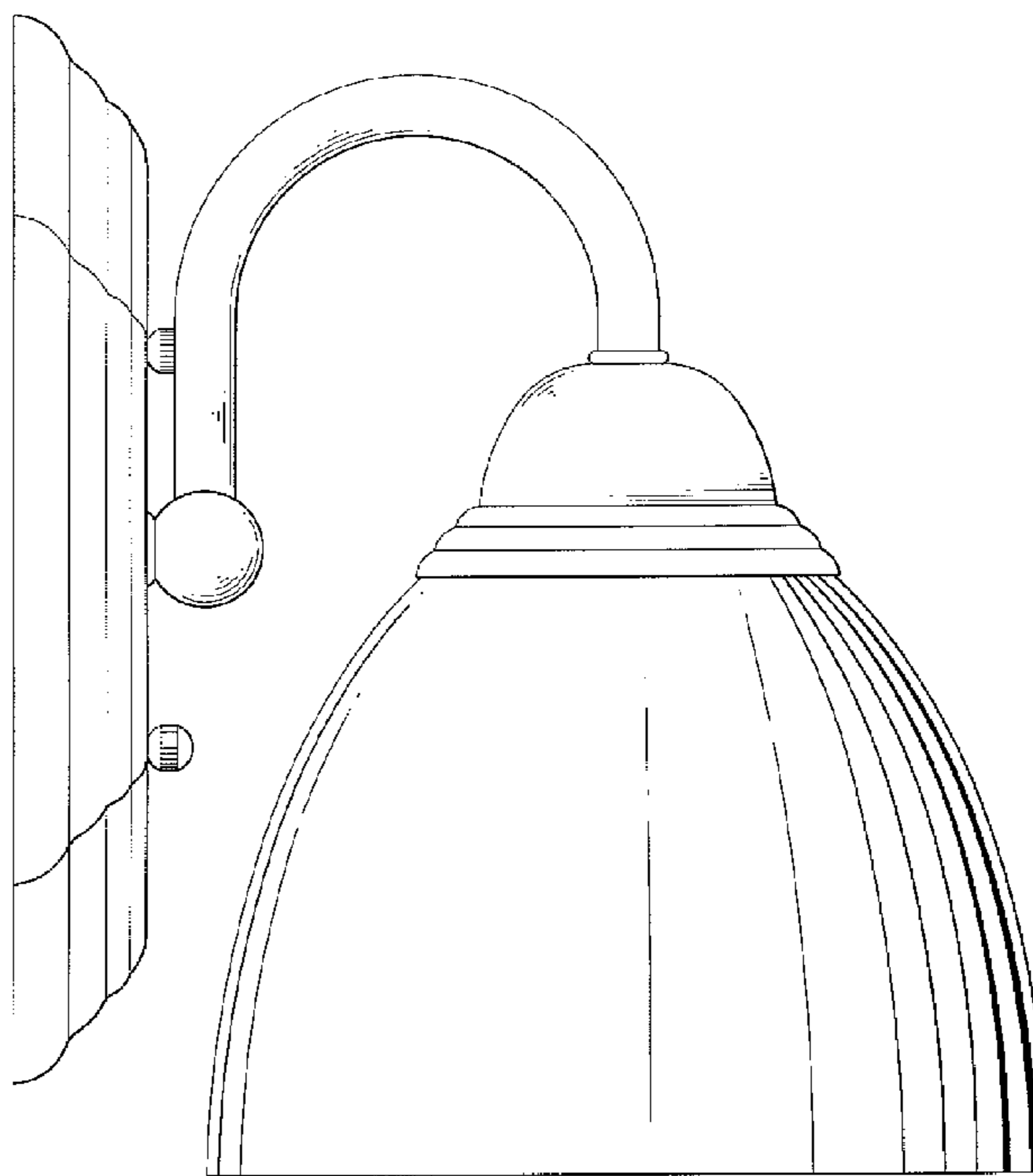
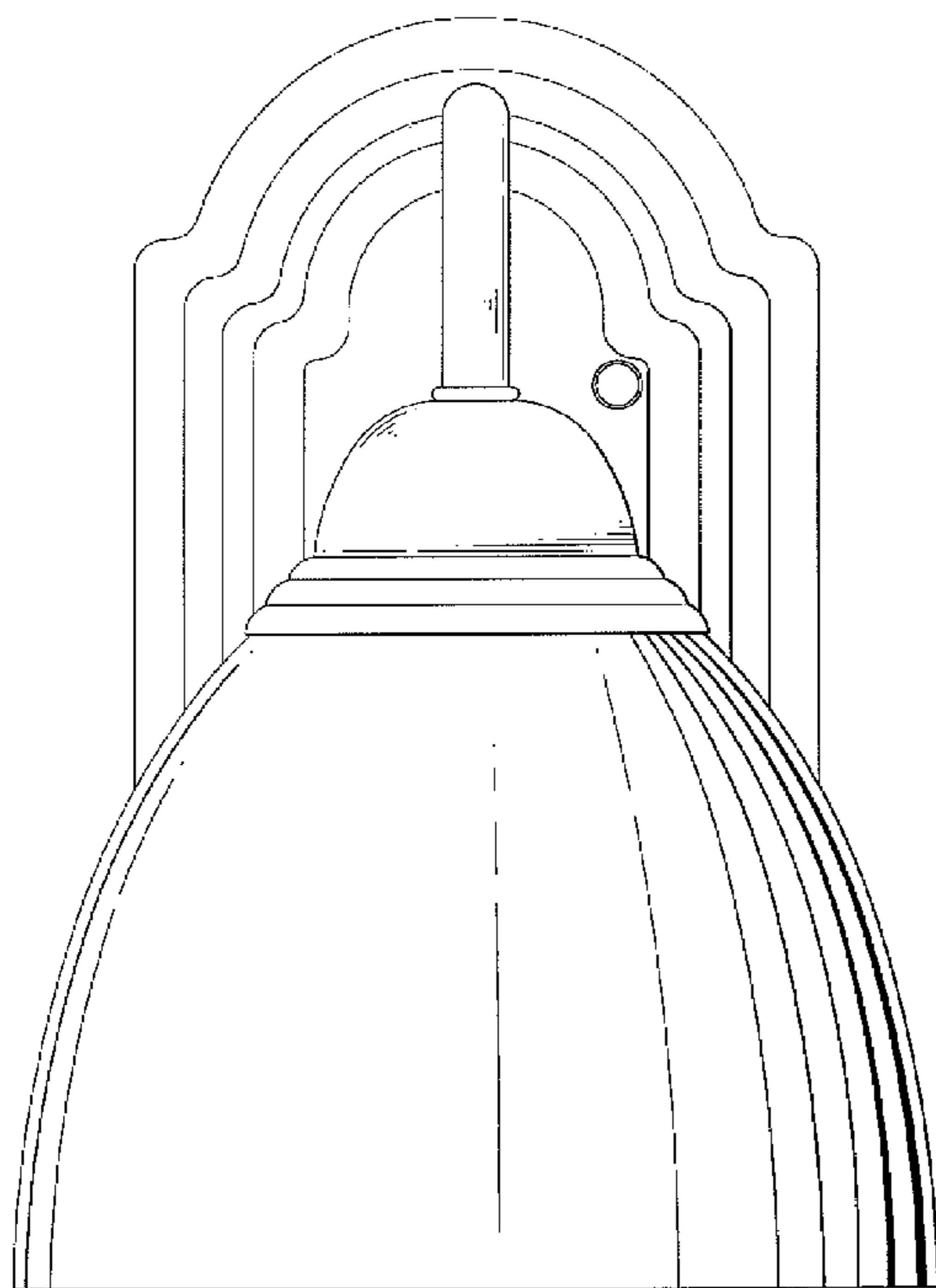
(56) **References Cited**

U.S. PATENT DOCUMENTS

D514,730 S * 2/2006 Lo D26/87

D534,297 S * 12/2006 Chen D26/87

1 Claim, 6 Drawing Sheets



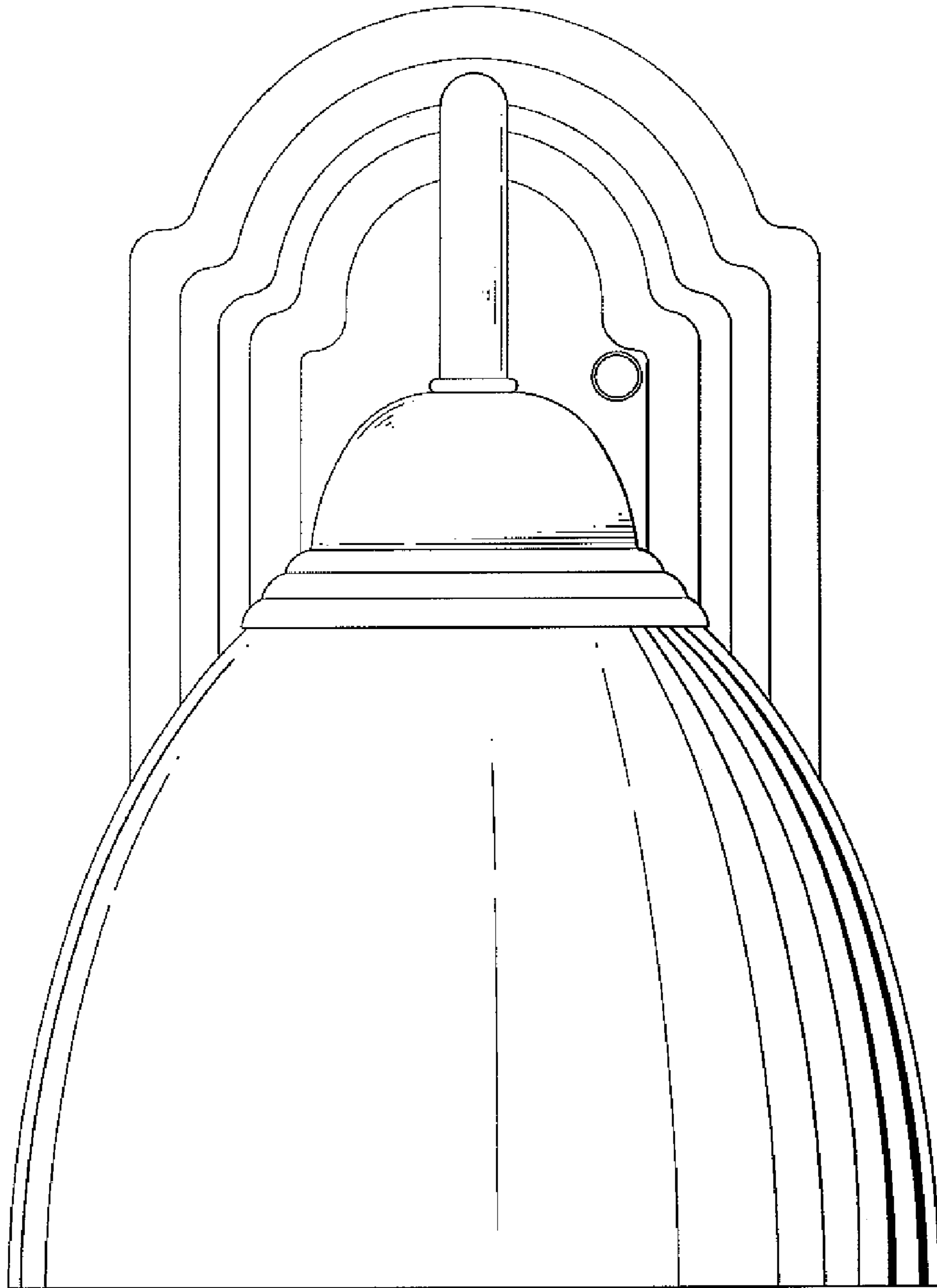


FIG. 1

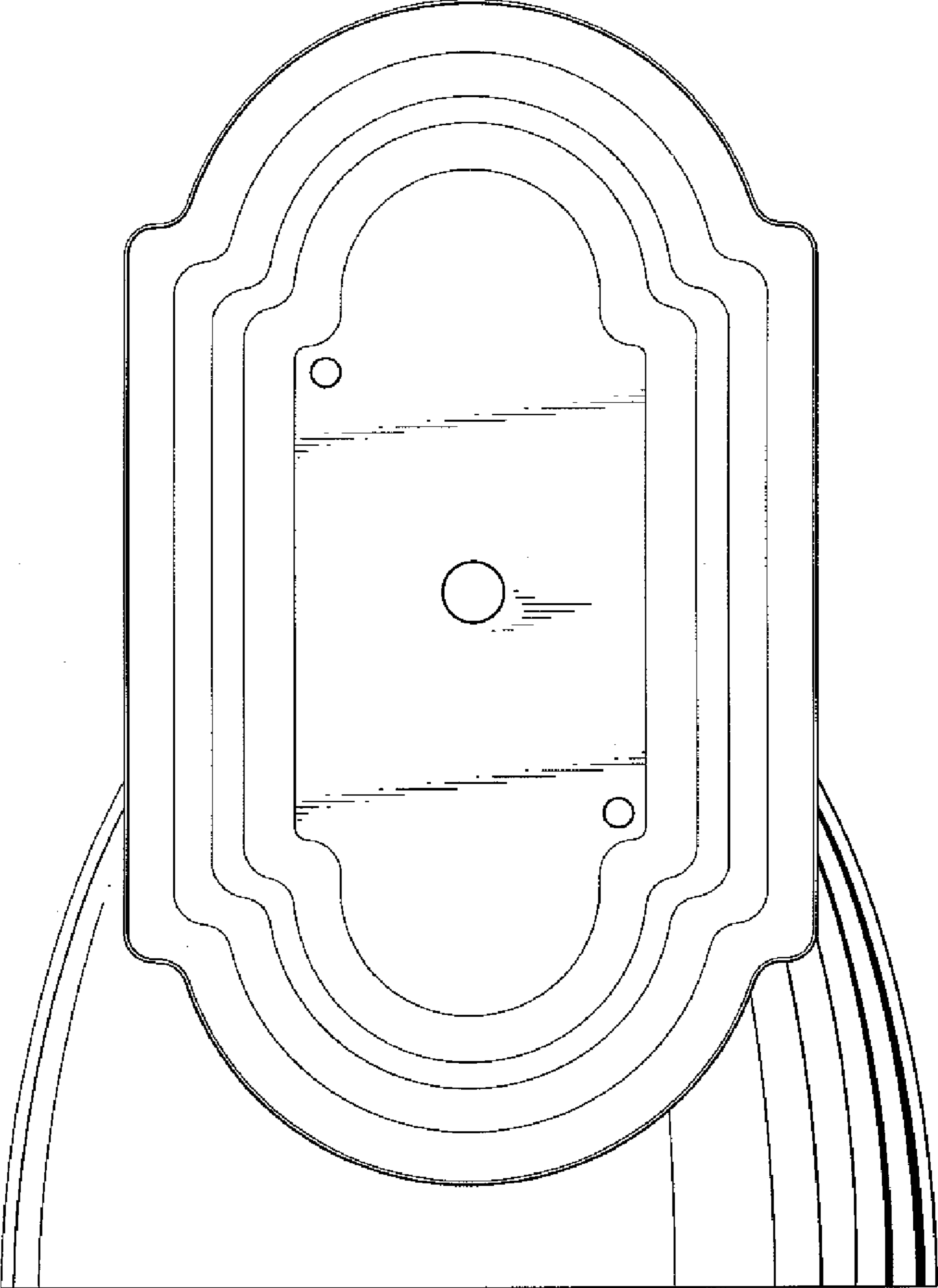


FIG. 2

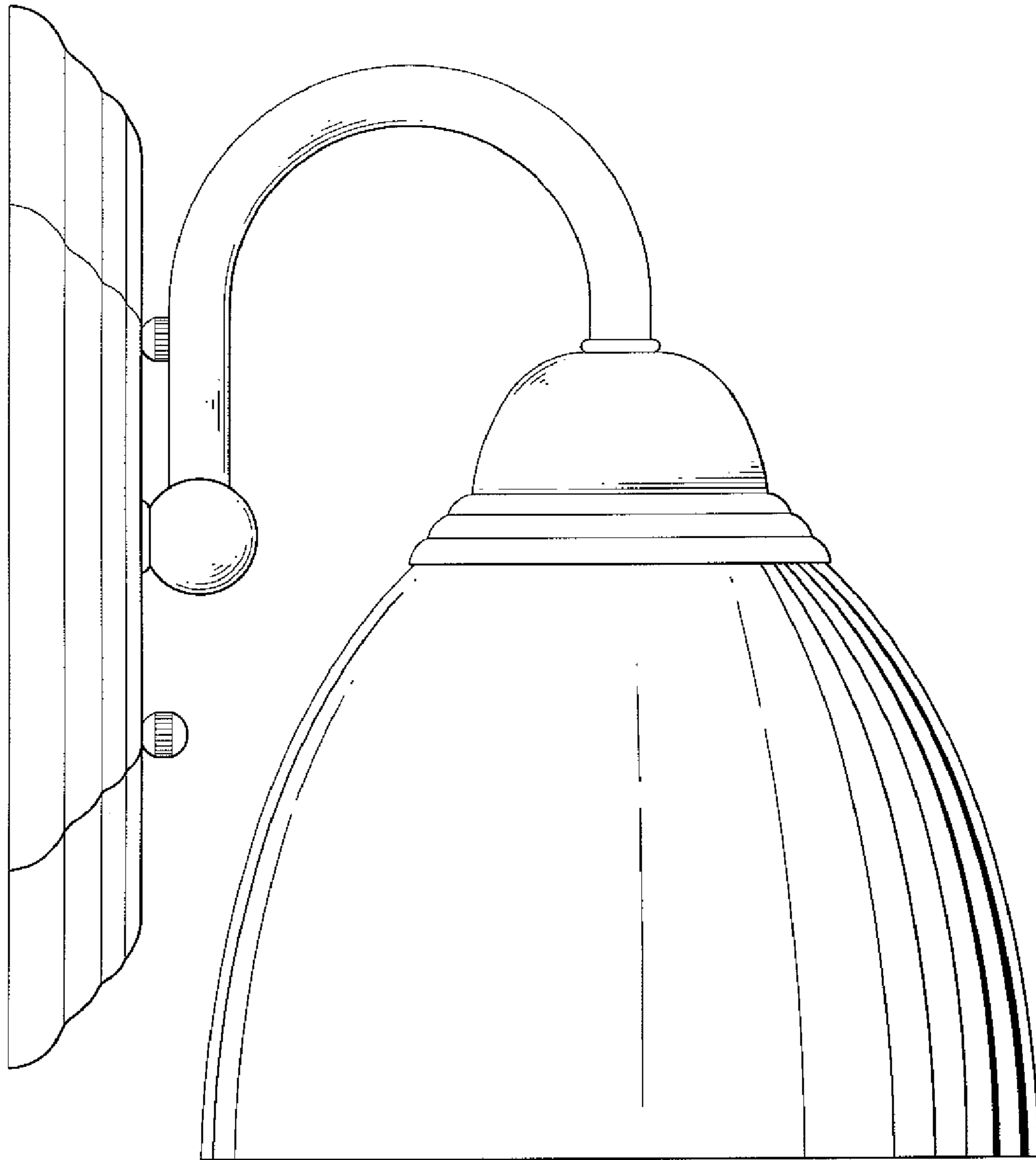


FIG. 3

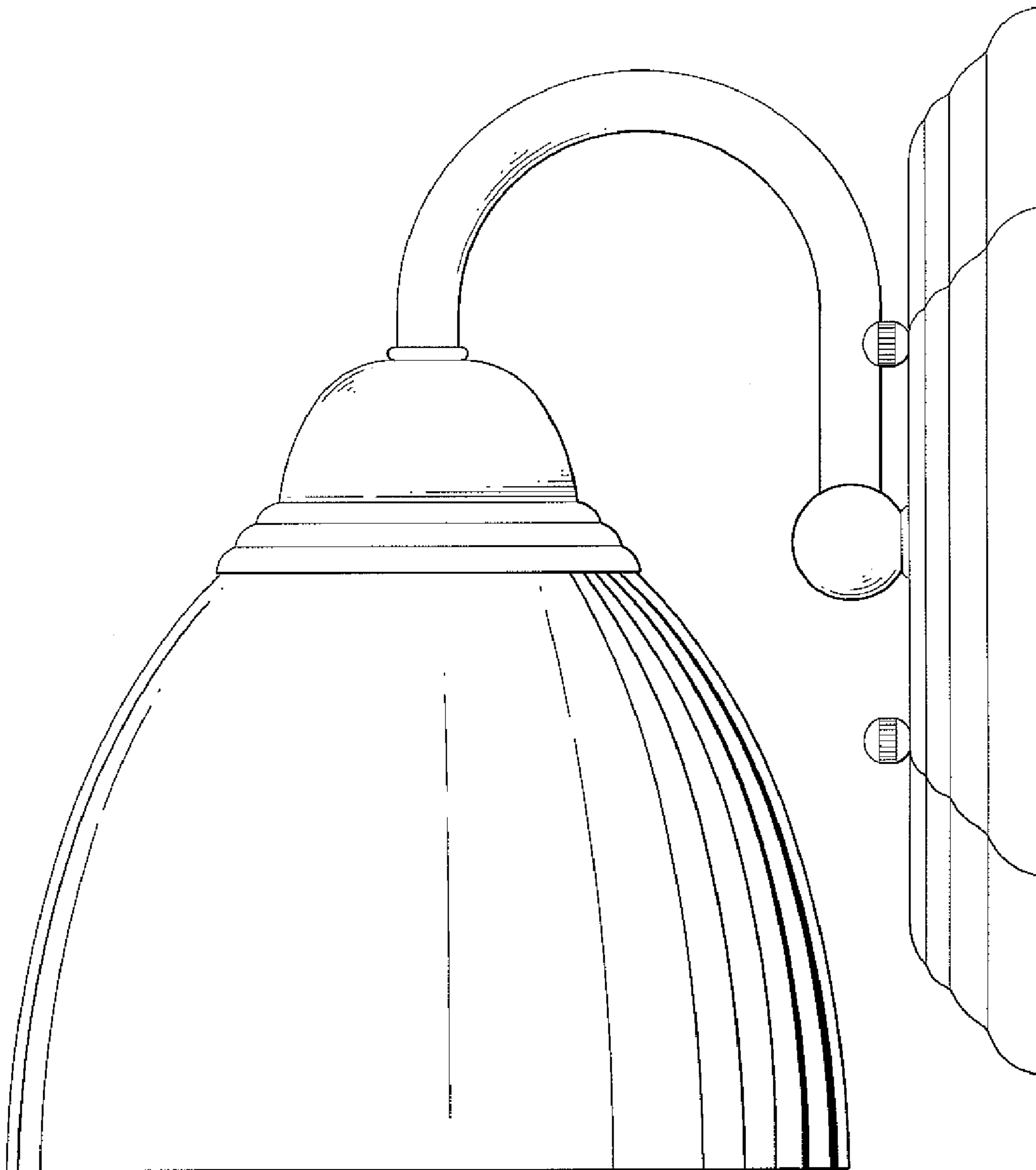


FIG. 4

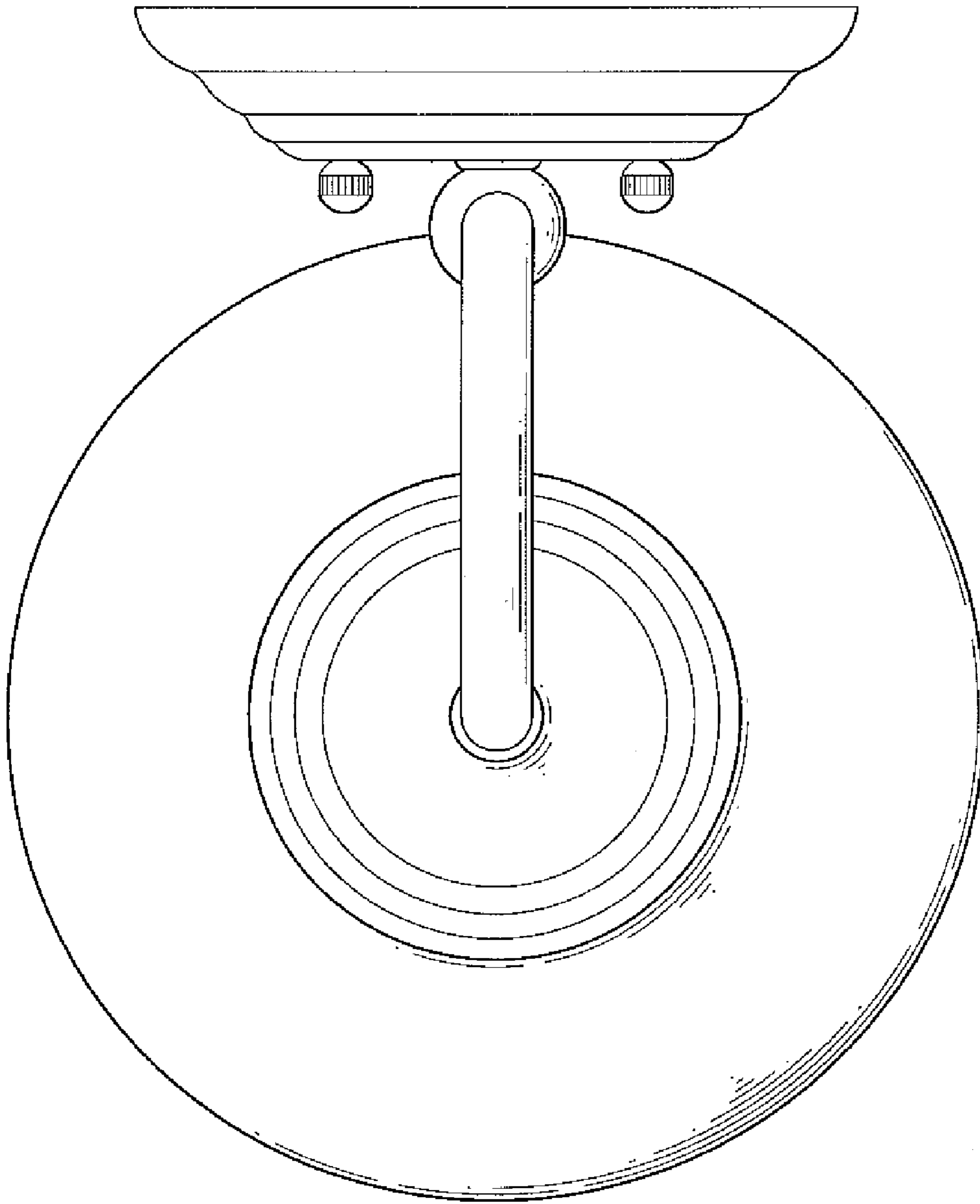


FIG. 5

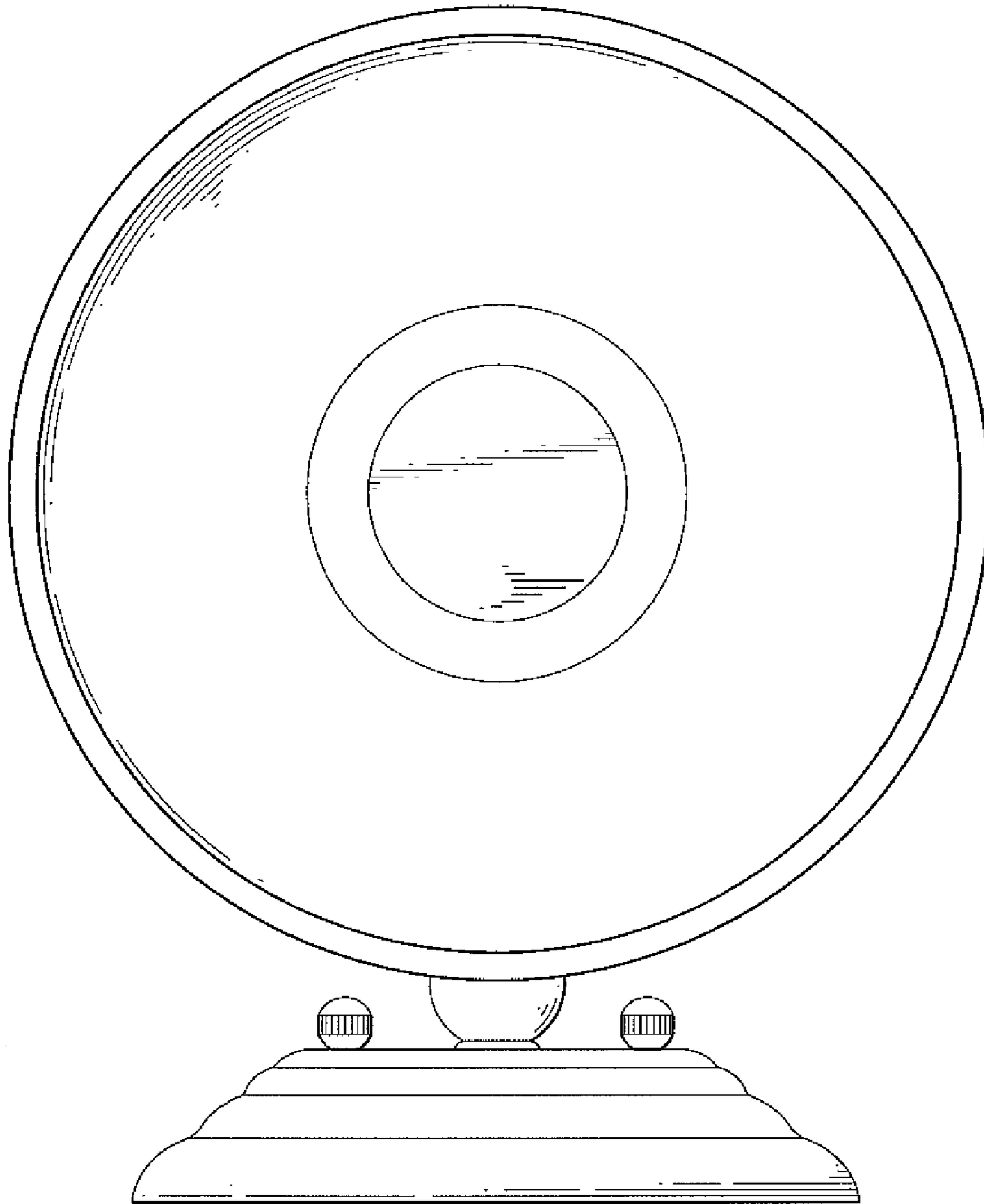


FIG. 6