



US00D573747S

(12) **United States Design Patent**
Brookins

(10) **Patent No.:** **US D573,747 S**
(45) **Date of Patent:** **** Jul. 22, 2008**

(54) **LIGHT FIXTURE**

(75) Inventor: **Walter Brookins**, Mesquite, TX (US)

(73) Assignee: **Craftmade International, Inc.**, Coppell, TX (US)

(**) Term: **14 Years**

(21) Appl. No.: **29/301,865**

(22) Filed: **Mar. 17, 2008**

(51) **LOC (8) Cl.** **26-03**

(52) **U.S. Cl.** **D26/84**

(58) **Field of Classification Search** D26/81-86,
D26/142-144; 362/147, 404-408

See application file for complete search history.

(56) **References Cited**

U.S. PATENT DOCUMENTS

D71,148 S *	9/1926	Levitan	D26/143
D367,125 S *	2/1996	Dolan	D26/81
D385,380 S *	10/1997	Porter et al.	D26/81
D388,223 S *	12/1997	Miranda	D26/145
D425,235 S *	5/2000	Perenzin	D26/86
D453,229 S *	1/2002	Phillips	D26/81
D535,048 S *	1/2007	Chen	D26/81
D550,888 S *	9/2007	Miranda	D26/81
D550,889 S *	9/2007	Miranda	D26/81

OTHER PUBLICATIONS

Chandeliers 823-01 and 7392-01 on p. 122 of the World Imports catalog 17; © 1990.*

“Le Fleur” collection island chandelier by Robert Louis Tiffany on p. 13 of the Lampsplus 2007 Holiday Catalog.*

Billiard fixture #F1836/3 CB on p. 7 of the Murray-Feiss 2004 edition of the “Big Book” catalog.*

* cited by examiner

Primary Examiner—Clare E Heflin

(74) *Attorney, Agent, or Firm*—Munsch, Hardt, Kopf & Harr PC

(57) **CLAIM**

The ornamental design for a light fixture, as shown and described.

DESCRIPTION

FIG. 1 is a perspective view of the light fixture showing my new design;

FIG. 2 is a front elevational view thereof;

FIG. 3 is a rear elevational view thereof;

FIG. 4 is a top plan view thereof;

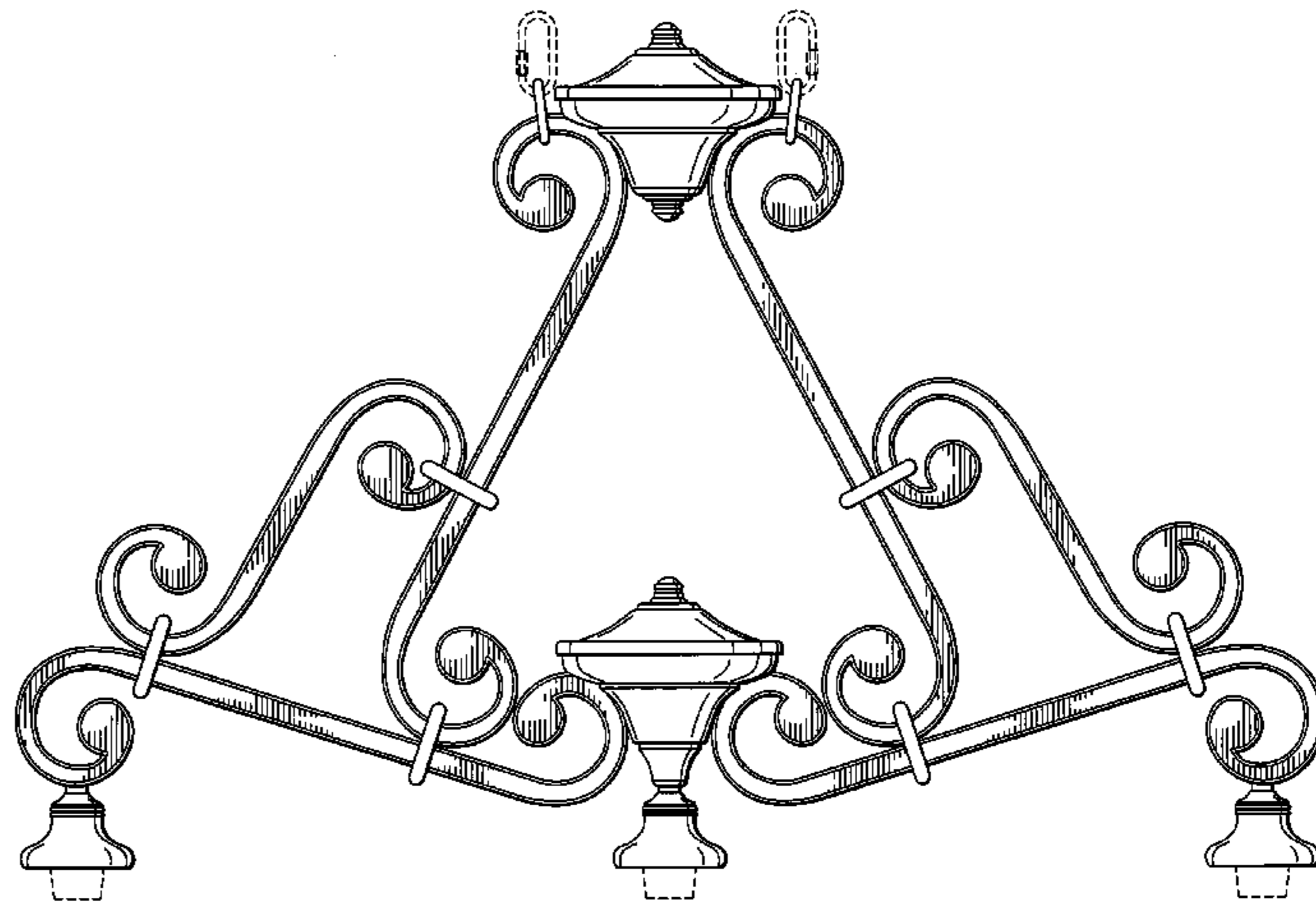
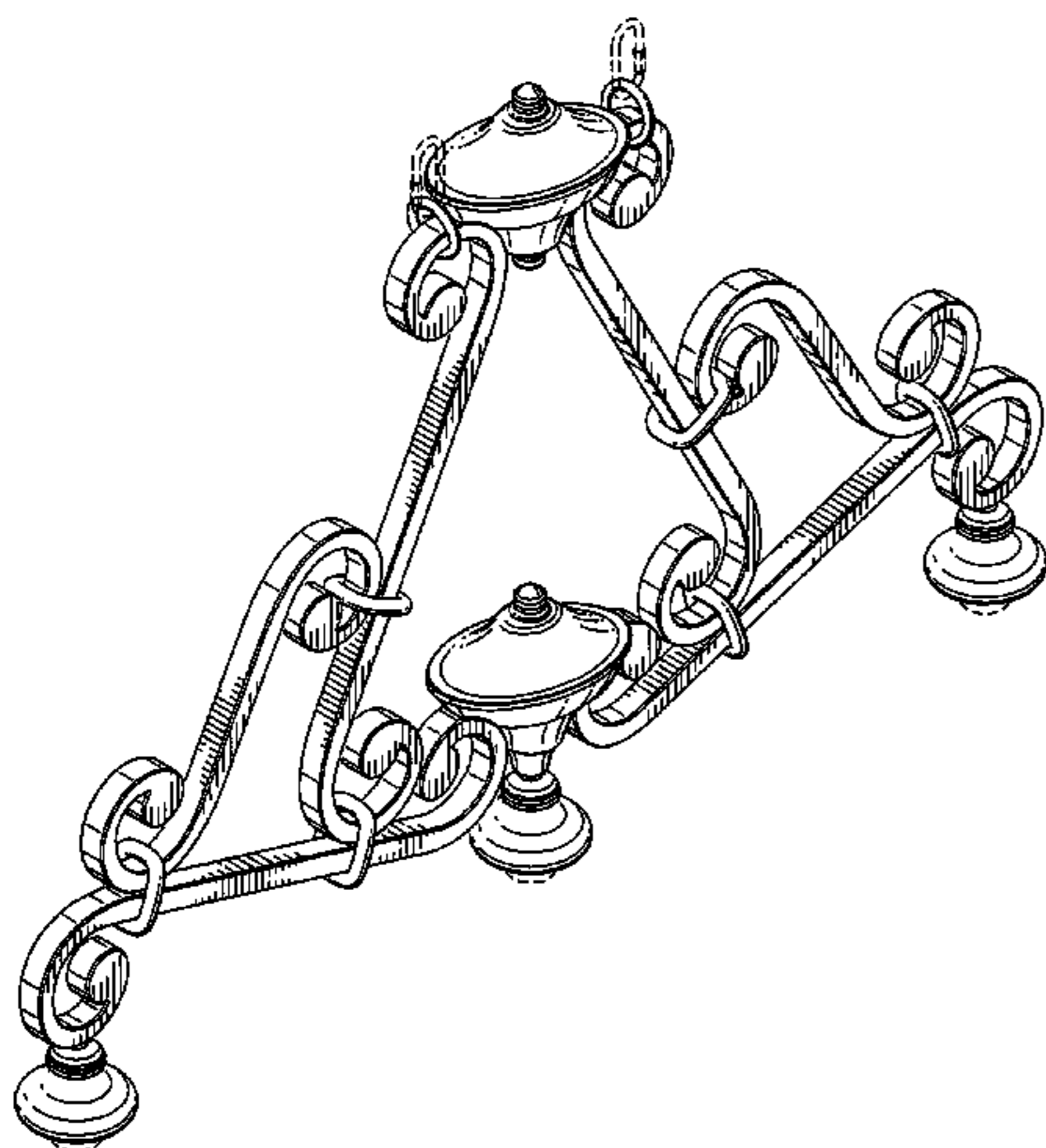
FIG. 5 is a bottom plan view thereof;

FIG. 6 is a left side elevational view thereof; and,

FIG. 7 is a right side elevational view thereof.

The broken lines shown on the drawings form no part of the claimed design.

1 Claim, 5 Drawing Sheets



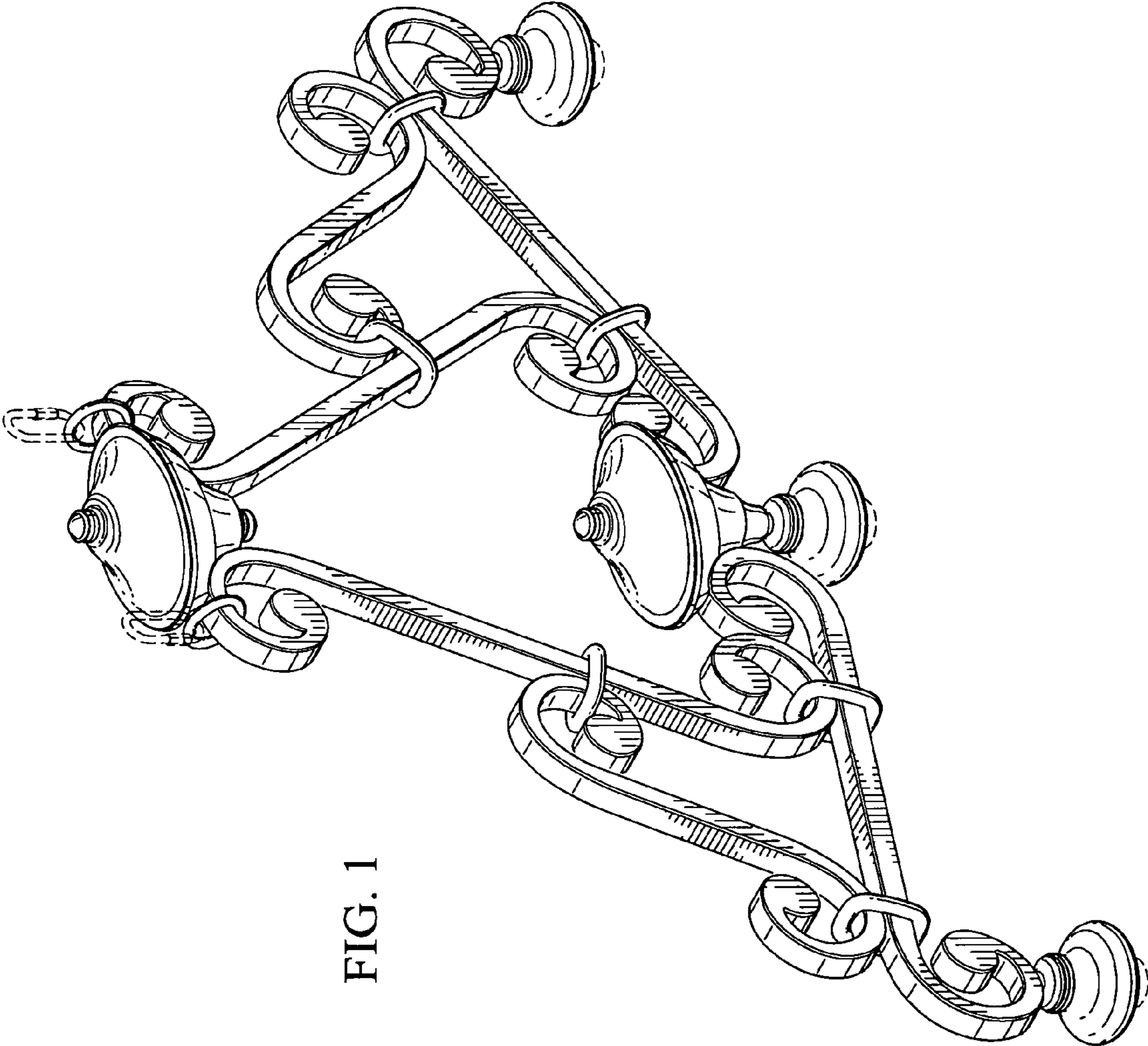


FIG. 1

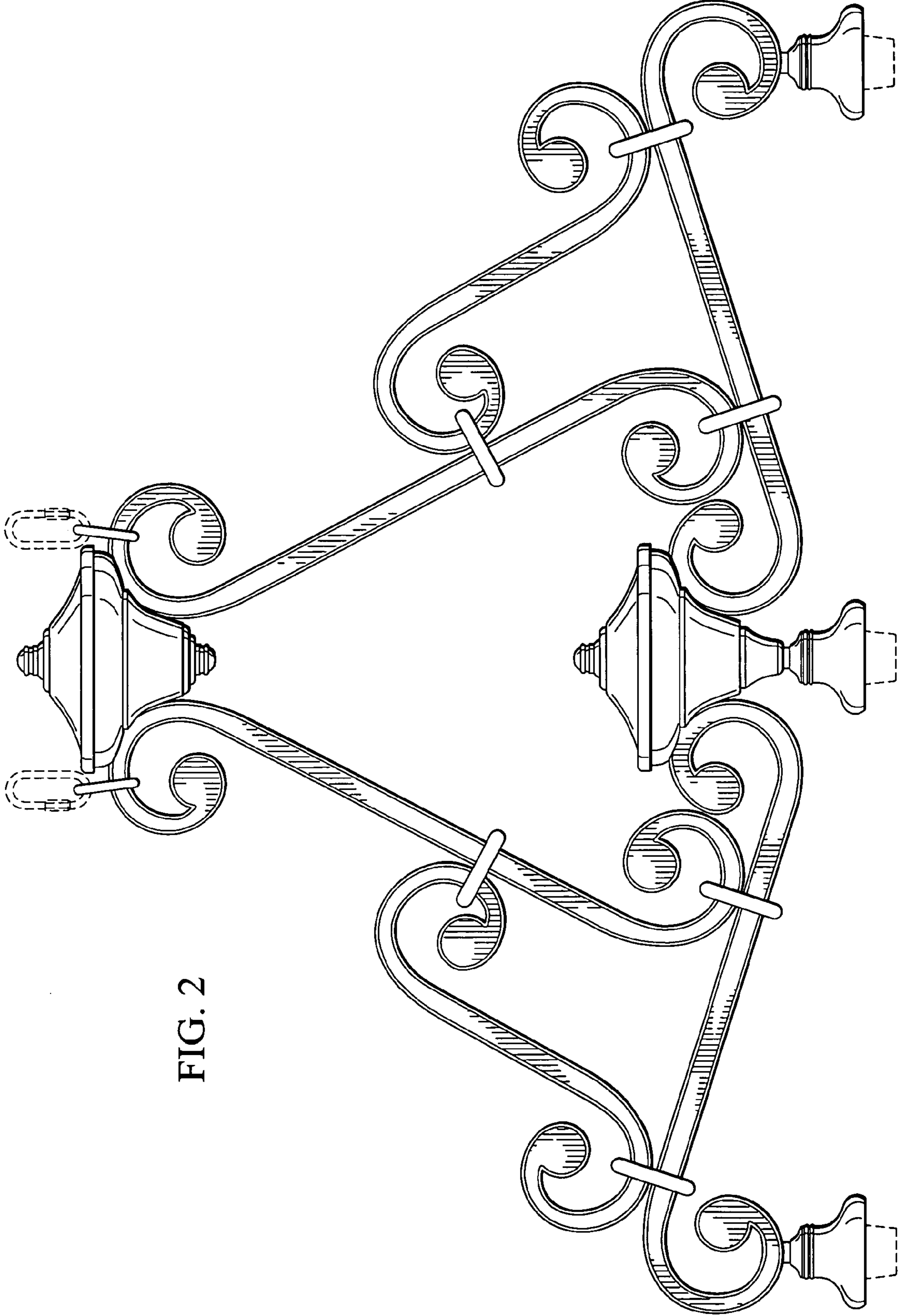


FIG. 2

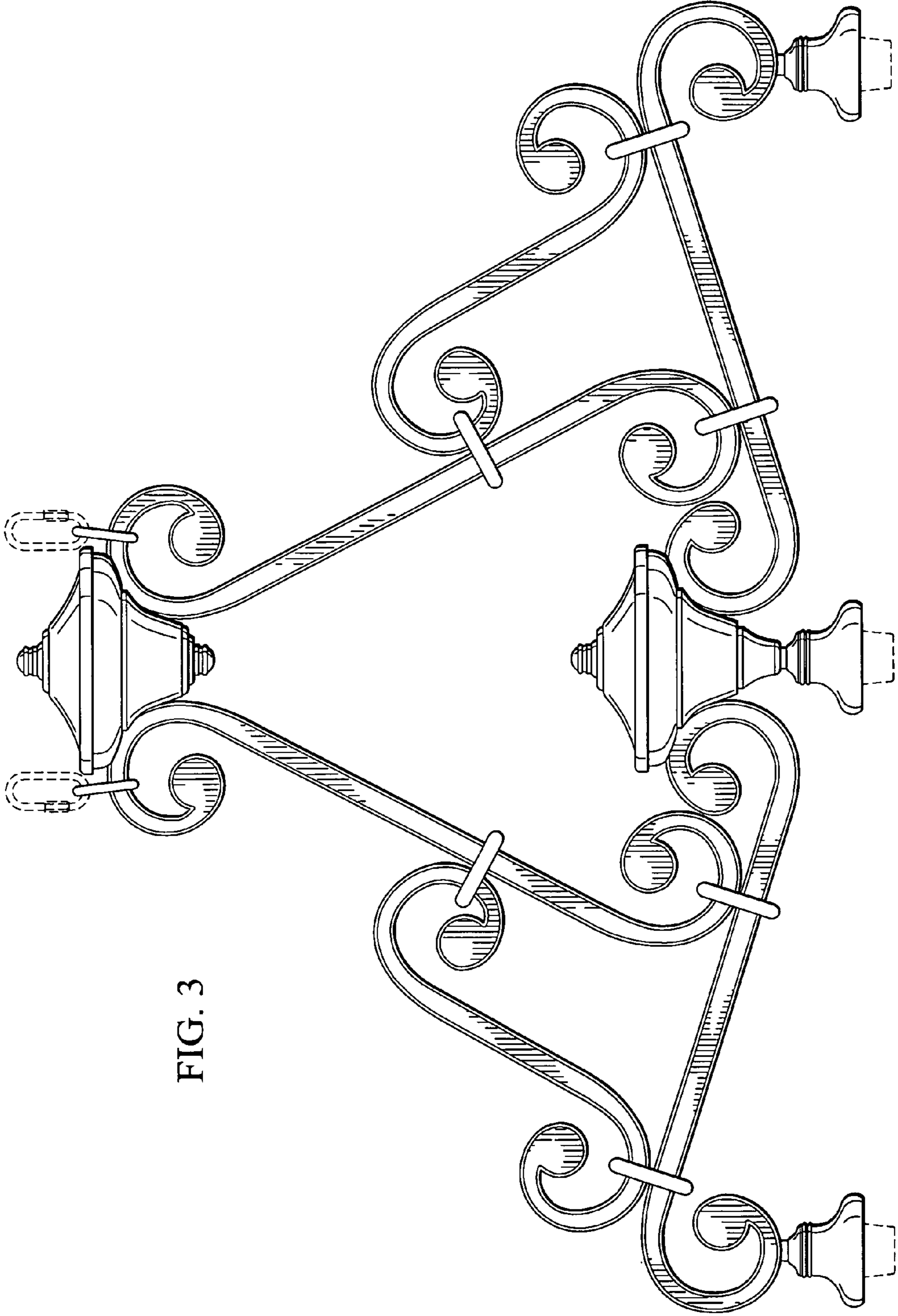


FIG. 3

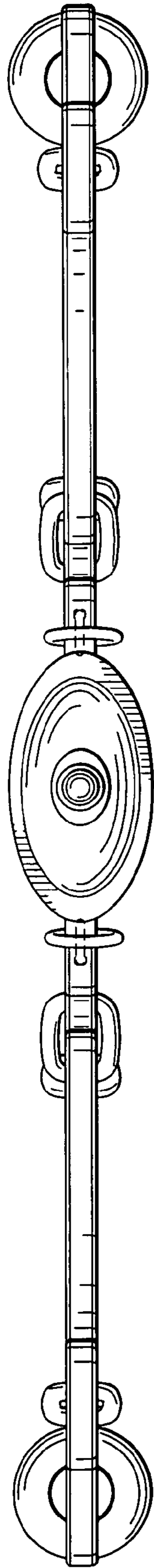


FIG. 4

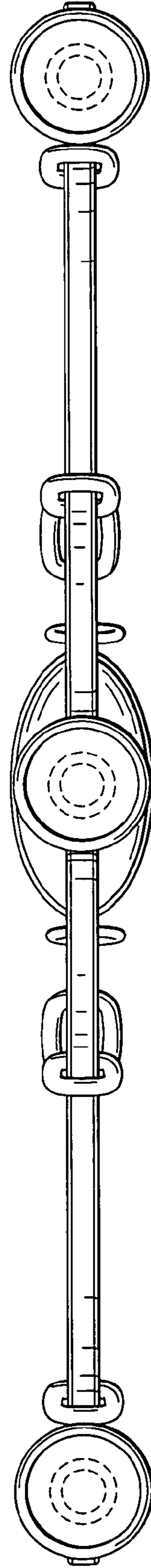


FIG. 5

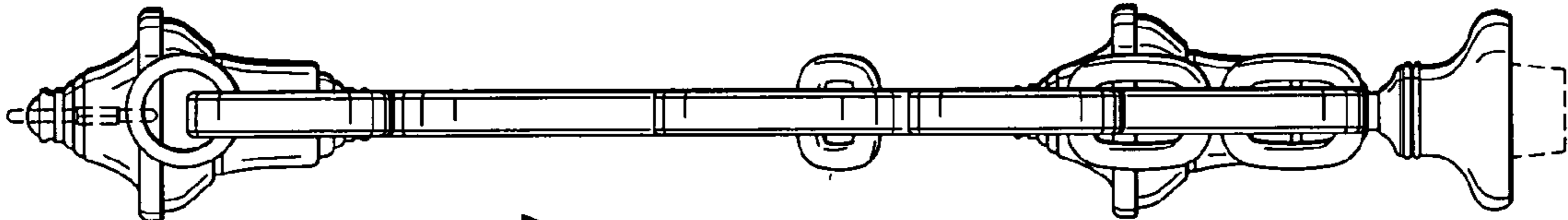


FIG. 7

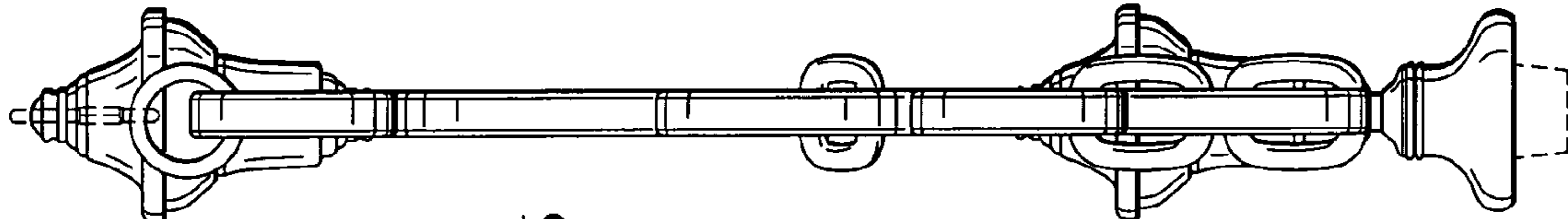


FIG. 6