



US00D573743S

(12) **United States Design Patent**  
**Yan et al.**

(10) **Patent No.:** **US D573,743 S**  
(45) **Date of Patent:** **\*\* Jul. 22, 2008**

(54) **LED STREETLAMP**

(75) Inventors: **Wei-feng Yan, Yuyao (CN); Hong-xian Lou, Yuyao (CN)**

(73) Assignee: **Ningbo Andy Optoelectronic Co., Ltd., Zhejiang (CN)**

(\*\*) Term: **14 Years**

(21) Appl. No.: **29/296,564**

(22) Filed: **Oct. 23, 2007**

(30) **Foreign Application Priority Data**

Jun. 7, 2007 (CN) ..... 2007 3 0076408

(51) **LOC (8) Cl.** ..... **26-05**

(52) **U.S. Cl.** ..... **D26/71**

(58) **Field of Classification Search** ..... D26/67-71,  
D26/92; 362/145, 183, 431, 545, 800  
See application file for complete search history.

(56) **References Cited**

**U.S. PATENT DOCUMENTS**

D201,700 S \* 7/1965 Stockwell ..... D26/71  
3,448,259 A \* 6/1969 Nitsch et al. .... 362/326  
5,101,326 A \* 3/1992 Roney ..... 362/545

5,528,474 A \* 6/1996 Roney et al. .... 362/545  
D456,926 S \* 5/2002 Gaskins et al. .... D26/71  
D482,481 S \* 11/2003 Landefeld ..... D26/71  
D556,357 S \* 11/2007 Butler et al. .... D26/71  
D563,018 S \* 2/2008 Nankil ..... D26/70  
2004/0240226 A1 \* 12/2004 Gross et al. .... 362/544

\* cited by examiner

*Primary Examiner*—Clare E Heflin

(57) **CLAIM**

The ornamental design for an LED streetlamp, as shown and described.

**DESCRIPTION**

FIG. 1 is a front elevational view of an LED streetlamp showing my new design;

FIG. 2 is a rear elevational view thereof;

FIG. 3 is a left side elevational view thereof;

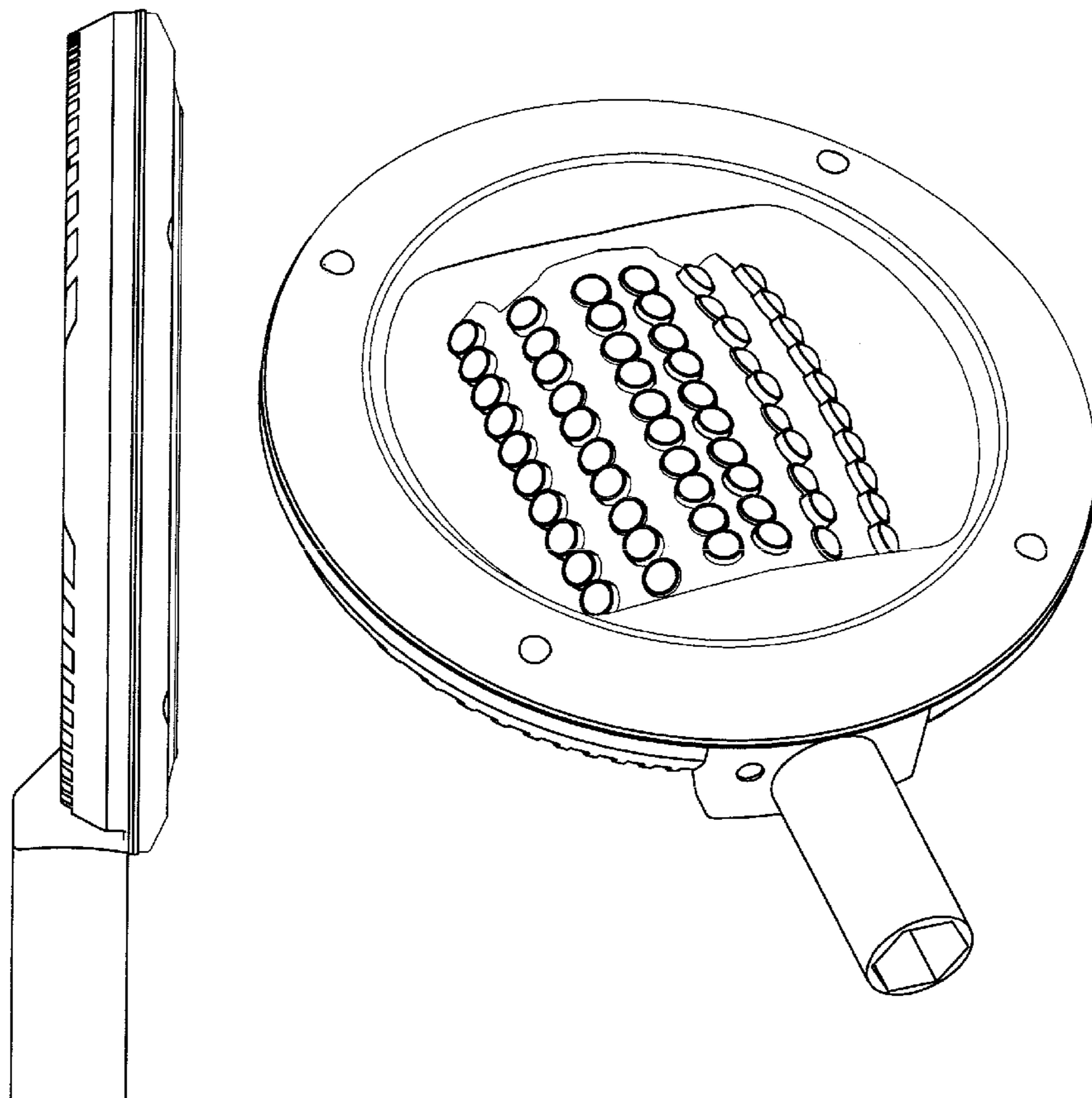
FIG. 4 is a right side elevational view thereof;

FIG. 5 is a top plan view thereof;

FIG. 6 is a bottom plan view thereof; and,

FIG. 7 is a perspective view thereof.

**1 Claim, 6 Drawing Sheets**



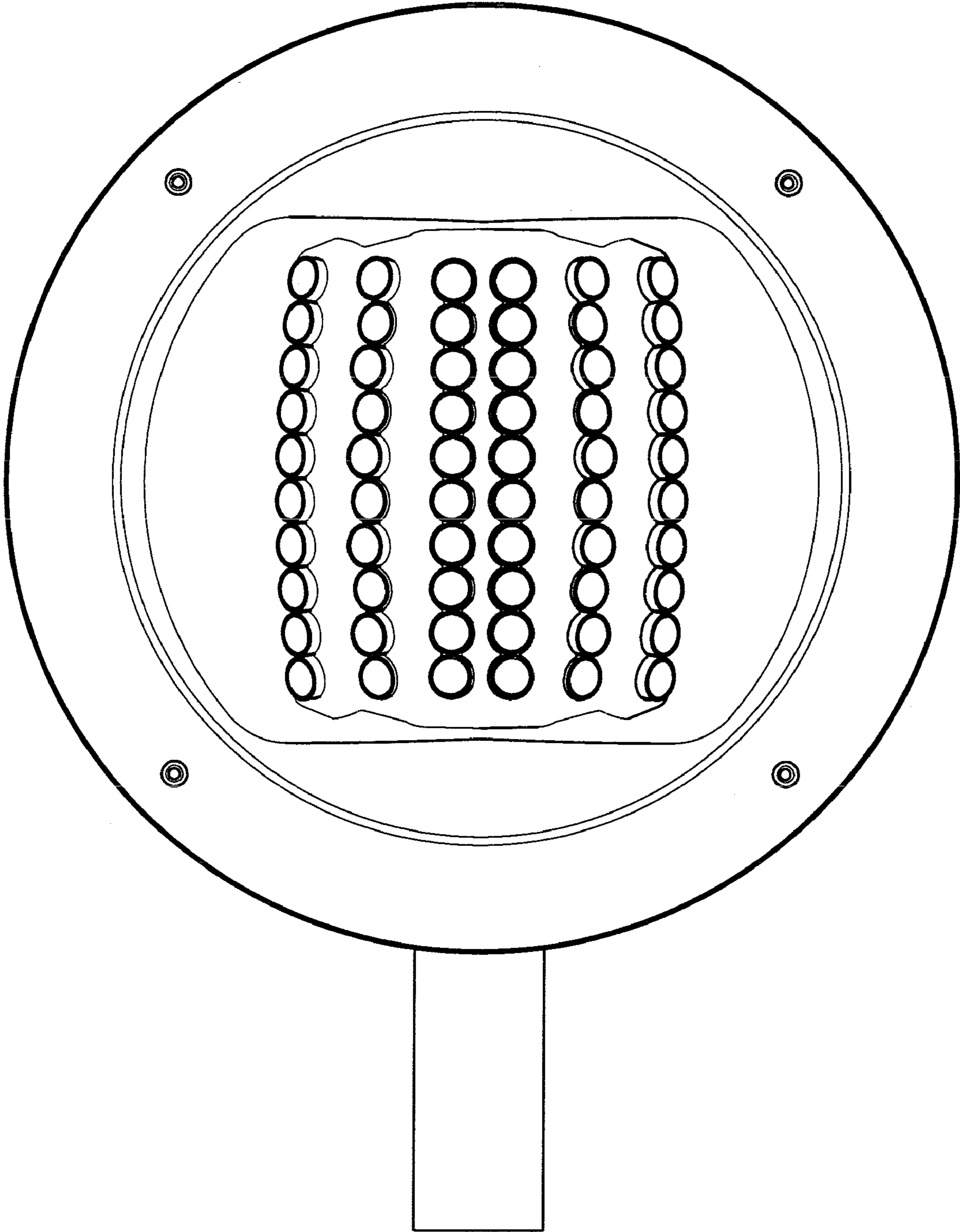


FIG. 1

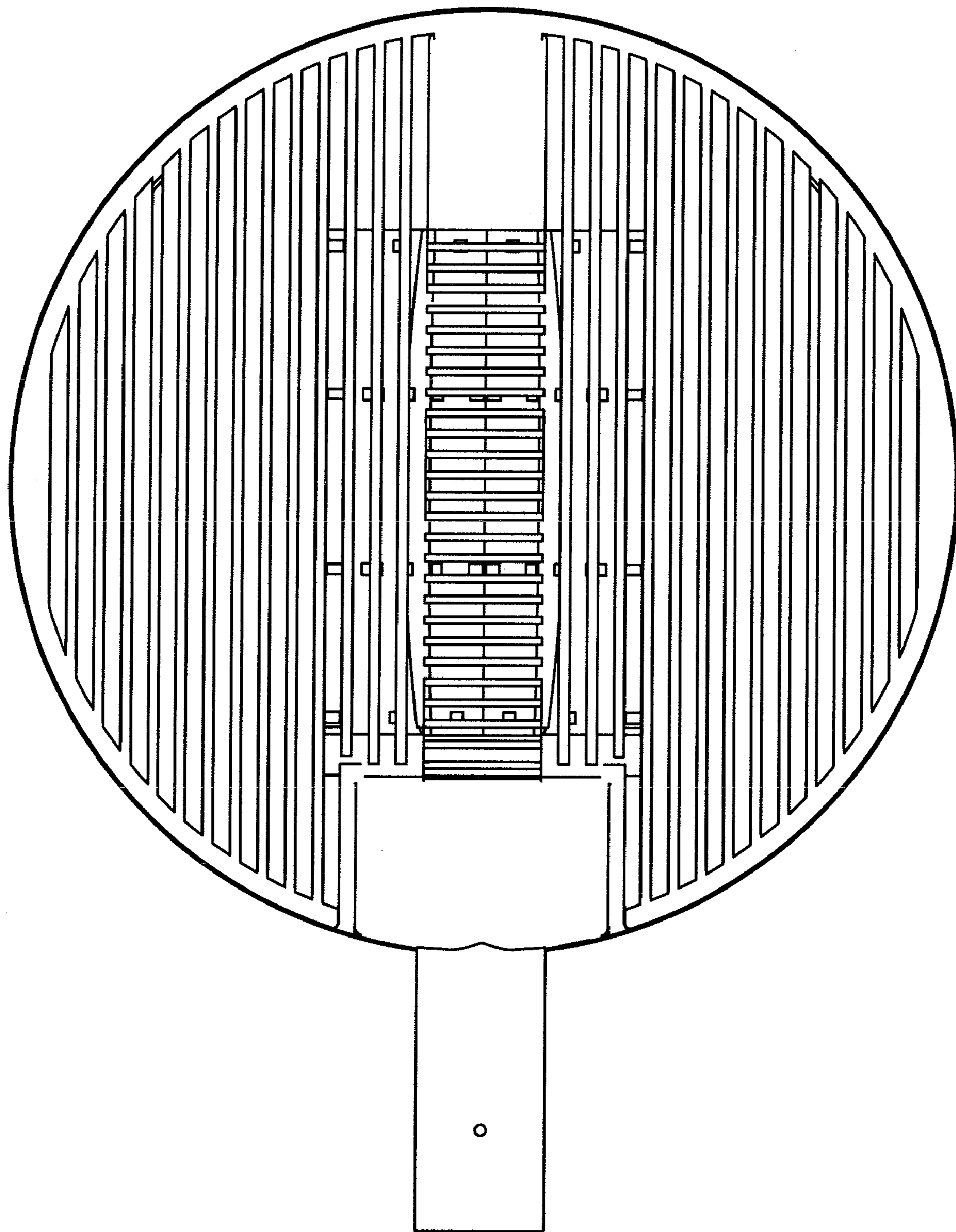


FIG. 2

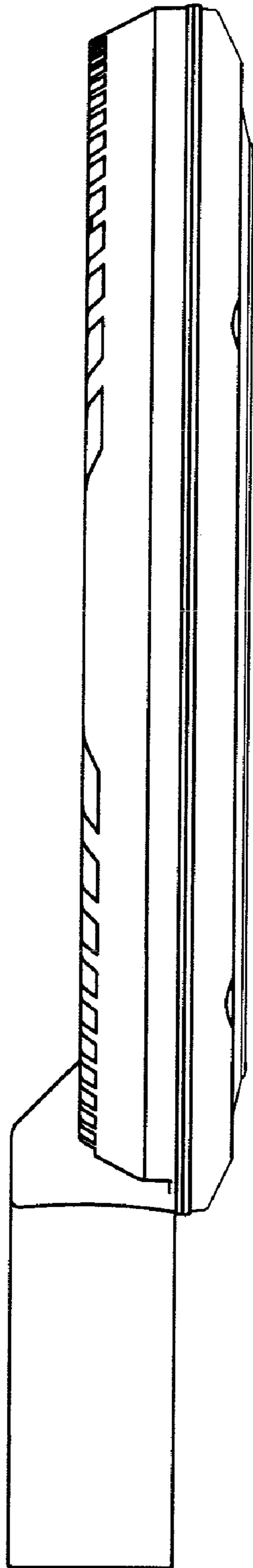


FIG. 3

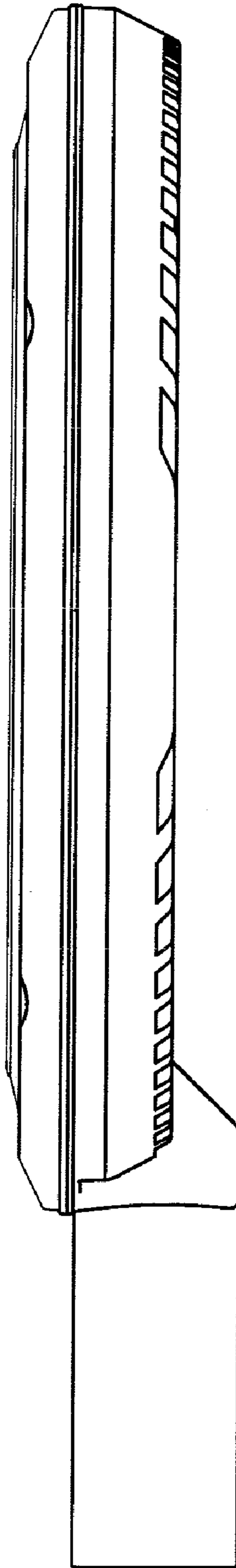


FIG. 4

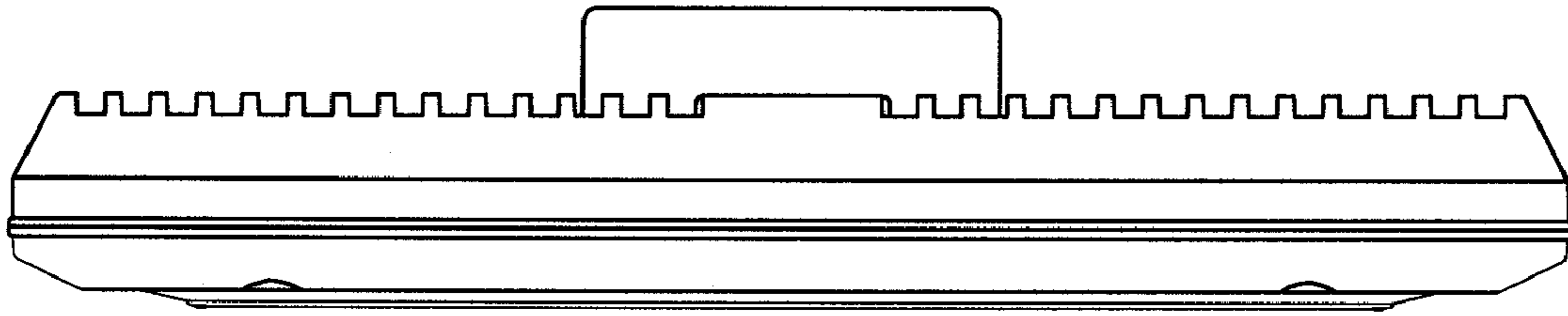


FIG. 5

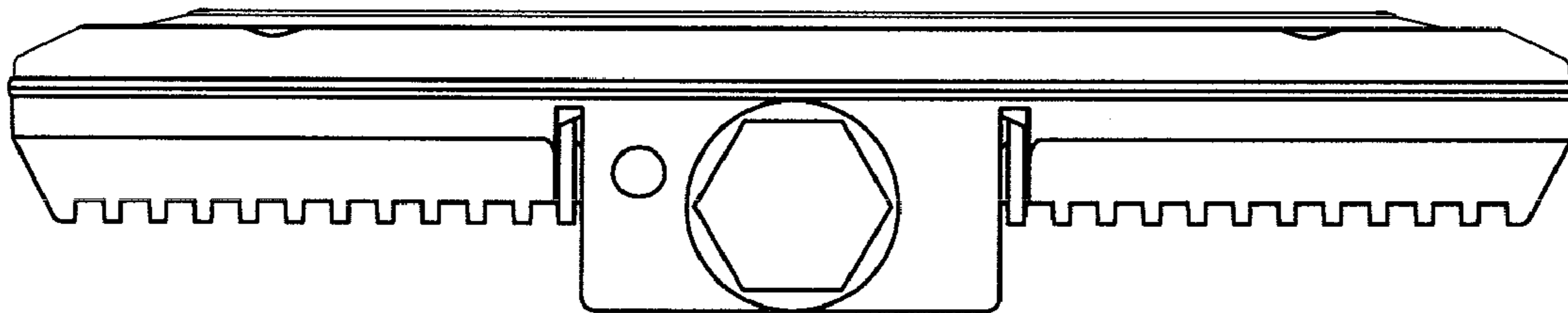


FIG. 6

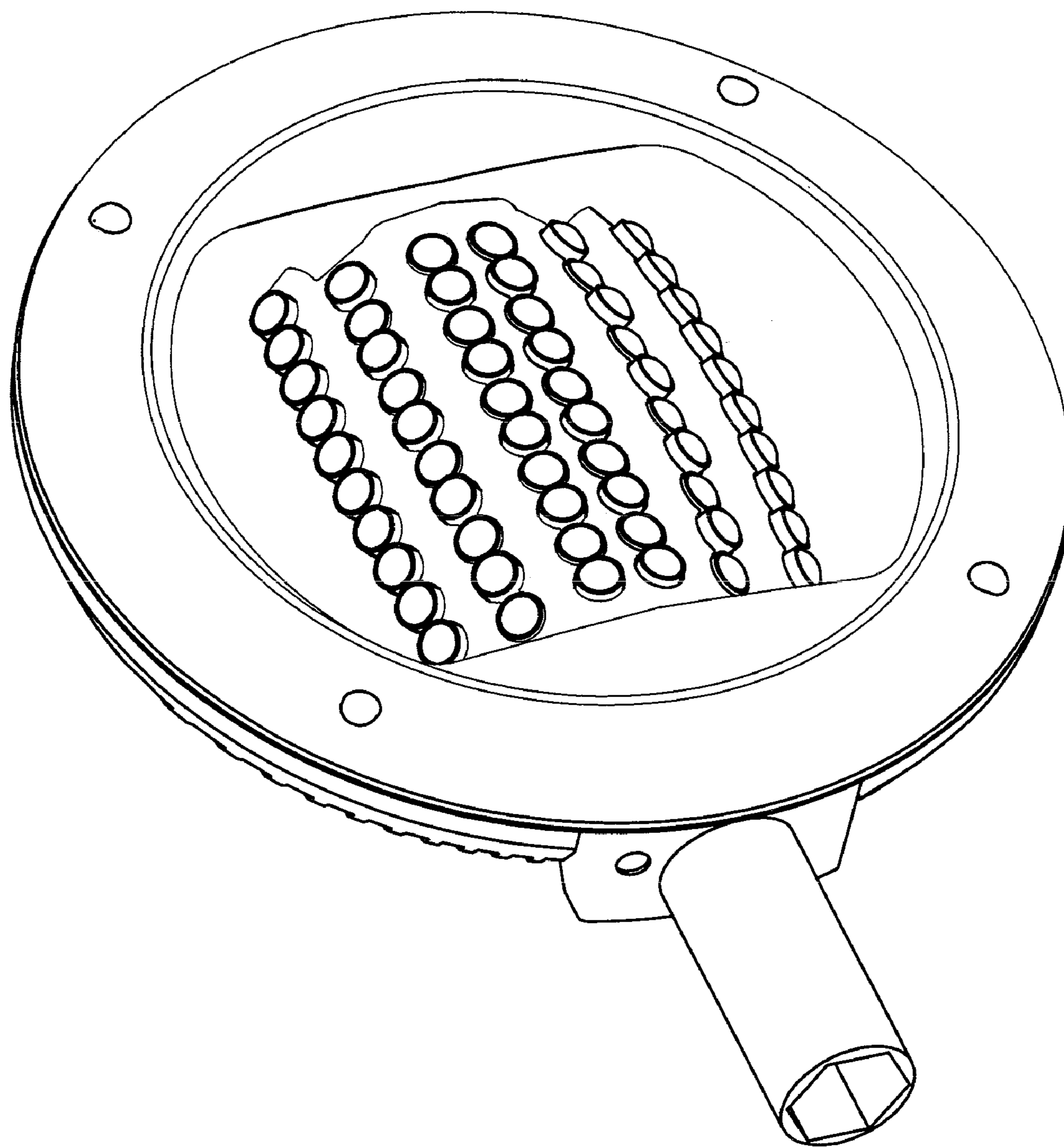


FIG. 7