



US00D573738S

(12) **United States Design Patent**
Leen

(10) **Patent No.:** **US D573,738 S**
(45) **Date of Patent:** **** Jul. 22, 2008**

(54) **SQUARE BARBEQUE CLAMP LIGHT**

D539,944 S * 4/2007 Egawa et al. D26/24

(76) Inventor: **Monte A. Leen**, 11730 NE. 12th St.,
Bellevue, WA (US) 98005

* cited by examiner

(**) Term: **14 Years**

Primary Examiner—Cathron Brooks
Assistant Examiner—Barbara Fox
(74) *Attorney, Agent, or Firm*—Dean A. Craine

(21) Appl. No.: **29/289,267**

(22) Filed: **Jul. 12, 2007**

(57) **CLAIM**

(51) **LOC (8) Cl.** **26-05**

(52) **U.S. Cl.** **D26/60**

(58) **Field of Classification Search** D26/28,
D26/37, 39, 44, 57, 73, 60–65; 362/98, 99,
362/197, 157, 171–174, 473–476, 523, 545,
362/183–208, 102, 119, 120, 397

The ornamental design for a square barbecue clamp light, as shown and described.

See application file for complete search history.

DESCRIPTION

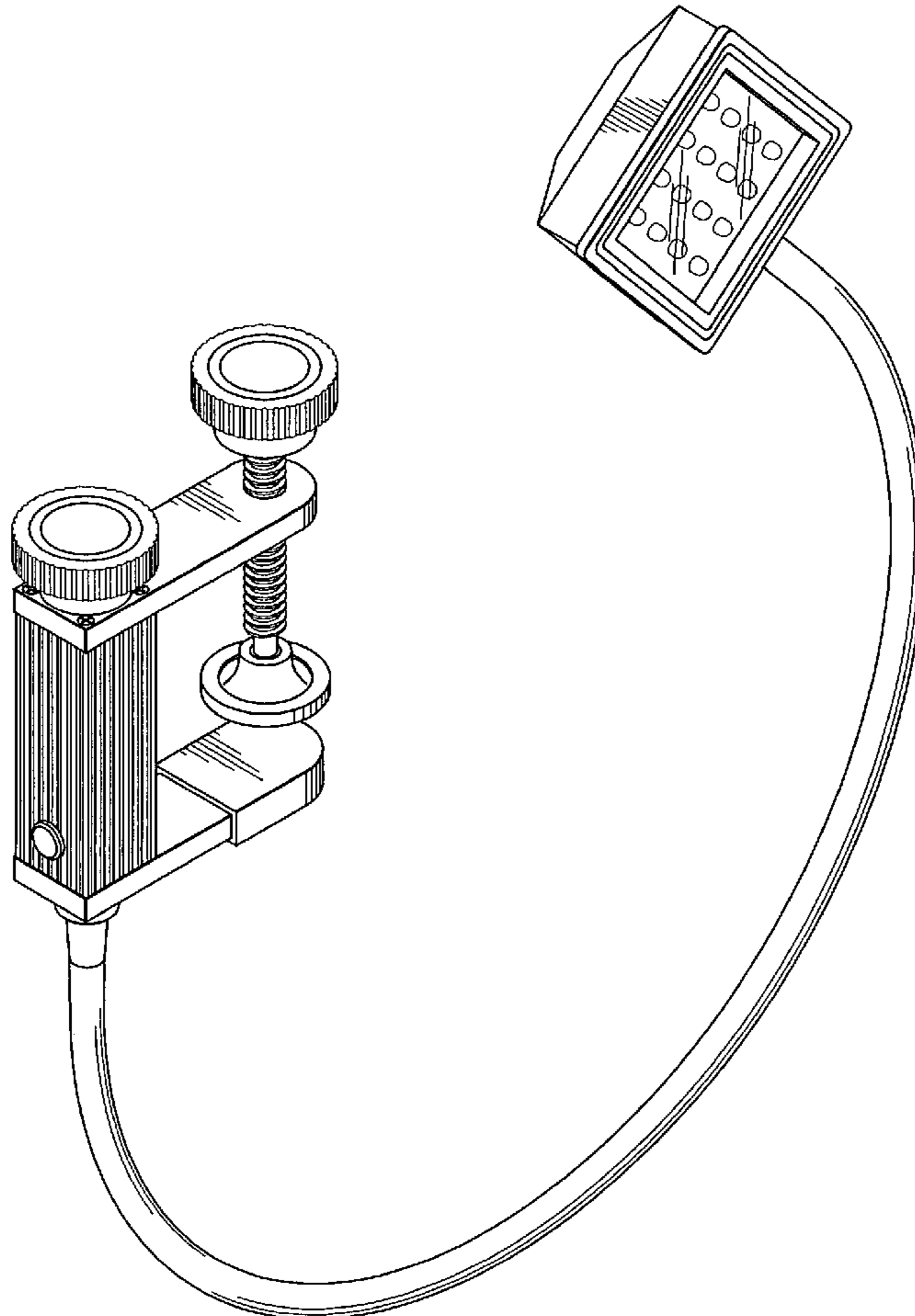
(56) **References Cited**

FIG. 1 is a perspective view of a square barbecue clamp light showing my new design.
FIG. 2 is a top plan view of the invention.
FIG. 3 is a front elevational view of the invention.
FIG. 4 is a bottom plan view of the invention.
FIG. 5 is a rear elevational view of the invention.
FIG. 6 is a right side view of the invention; and,
FIG. 7 is a left side view of the invention.

U.S. PATENT DOCUMENTS

5,176,438	A *	1/1993	Fisherman	362/99
D424,734	S *	5/2000	Gager et al.	D26/106
D425,651	S *	5/2000	Gager et al.	D26/108
D514,726	S	2/2006	Ping	D26/60
D539,943	S *	4/2007	Egawa et al.	D26/24

1 Claim, 3 Drawing Sheets



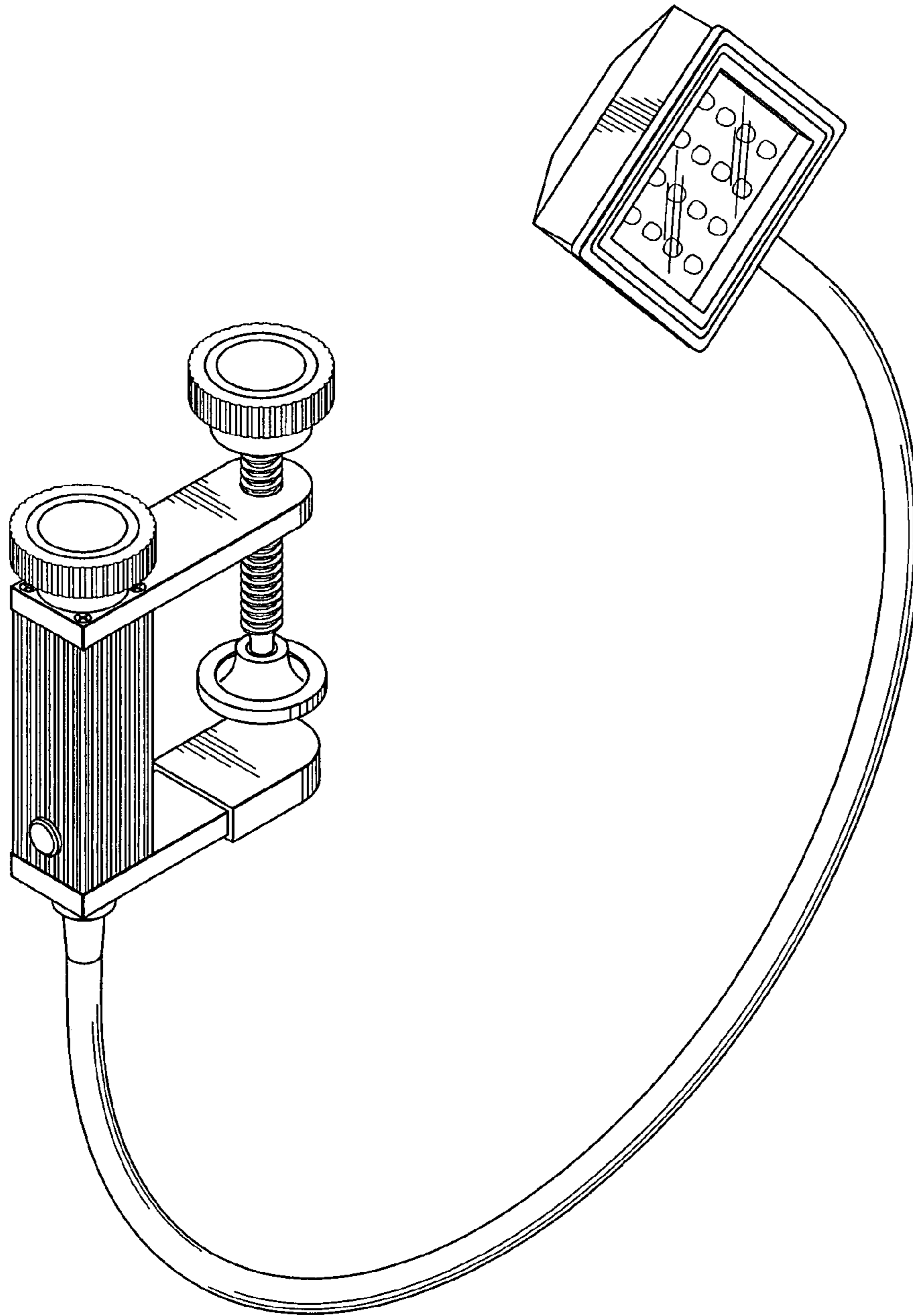


Fig. 1

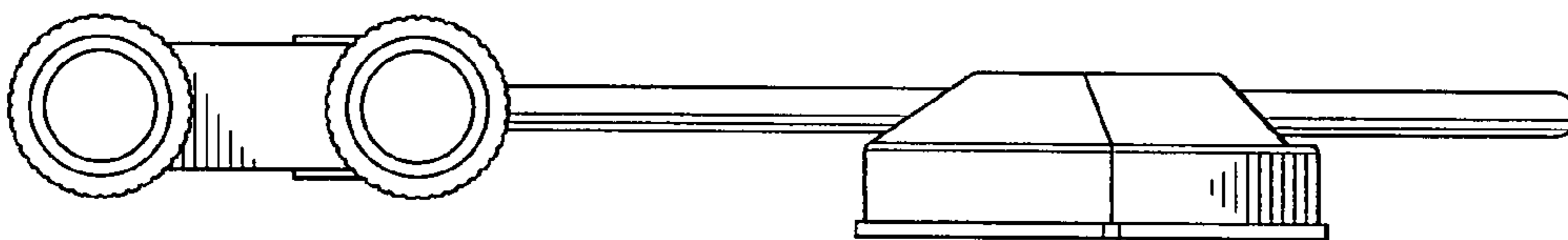


Fig. 2

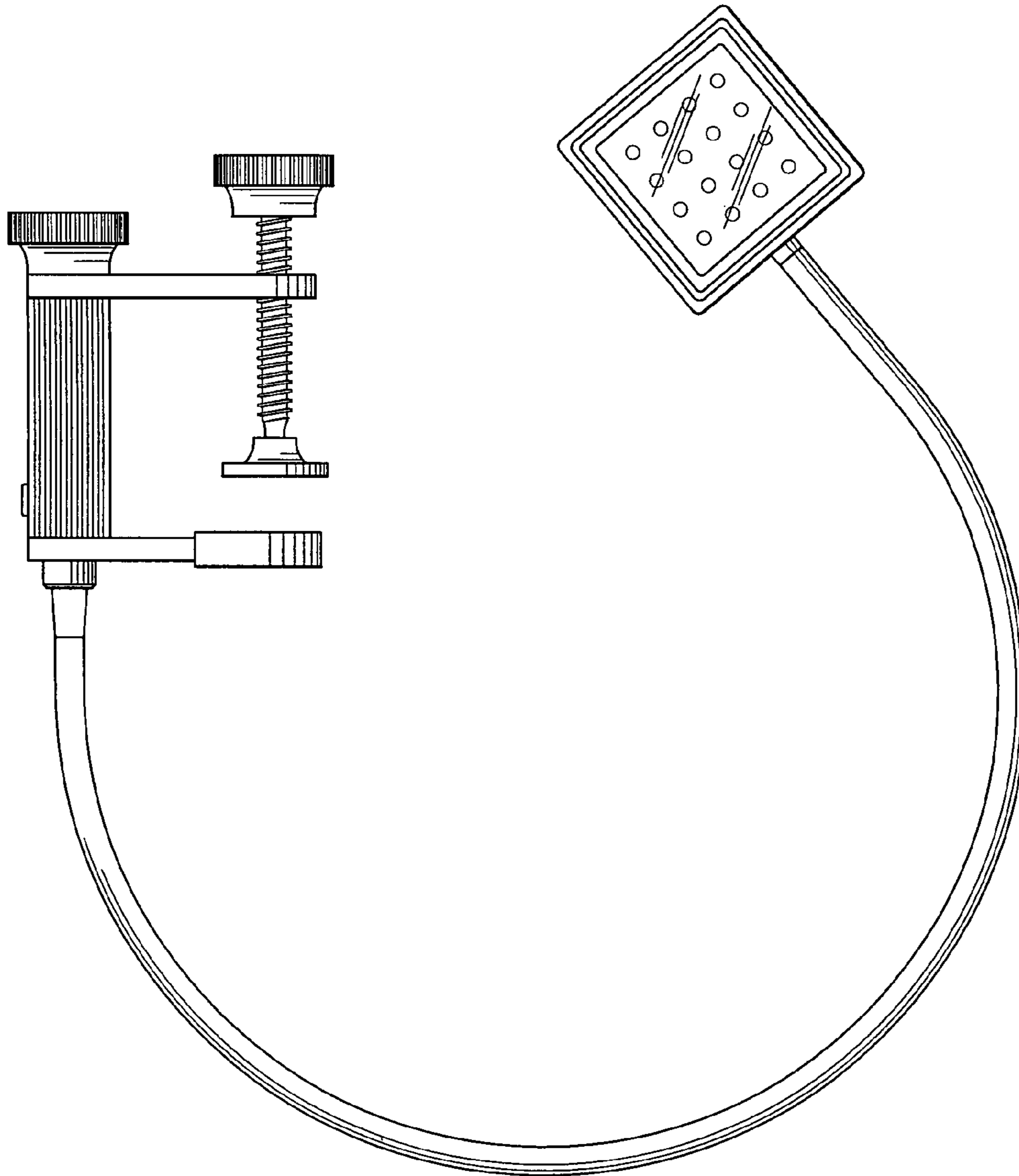


Fig. 3

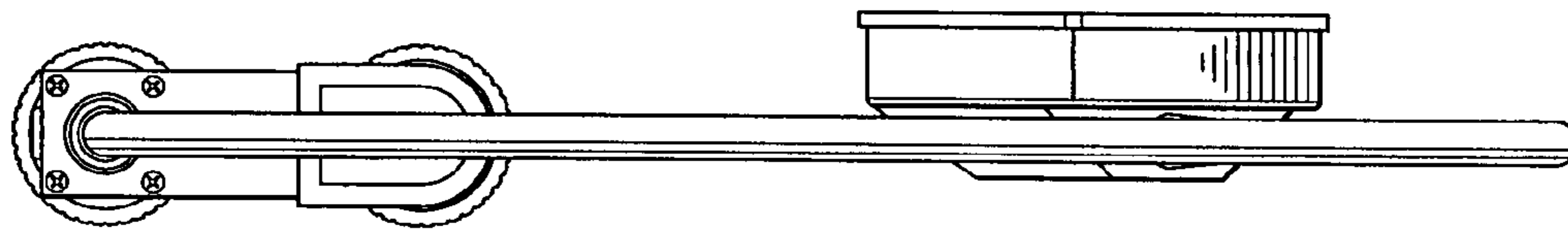


Fig. 4

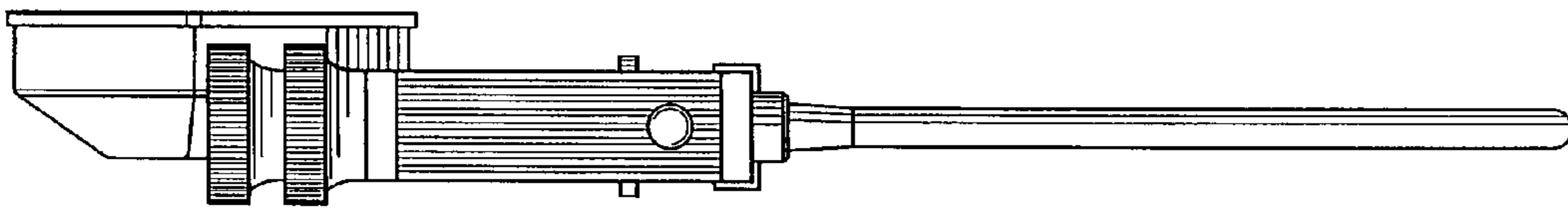


Fig. 7

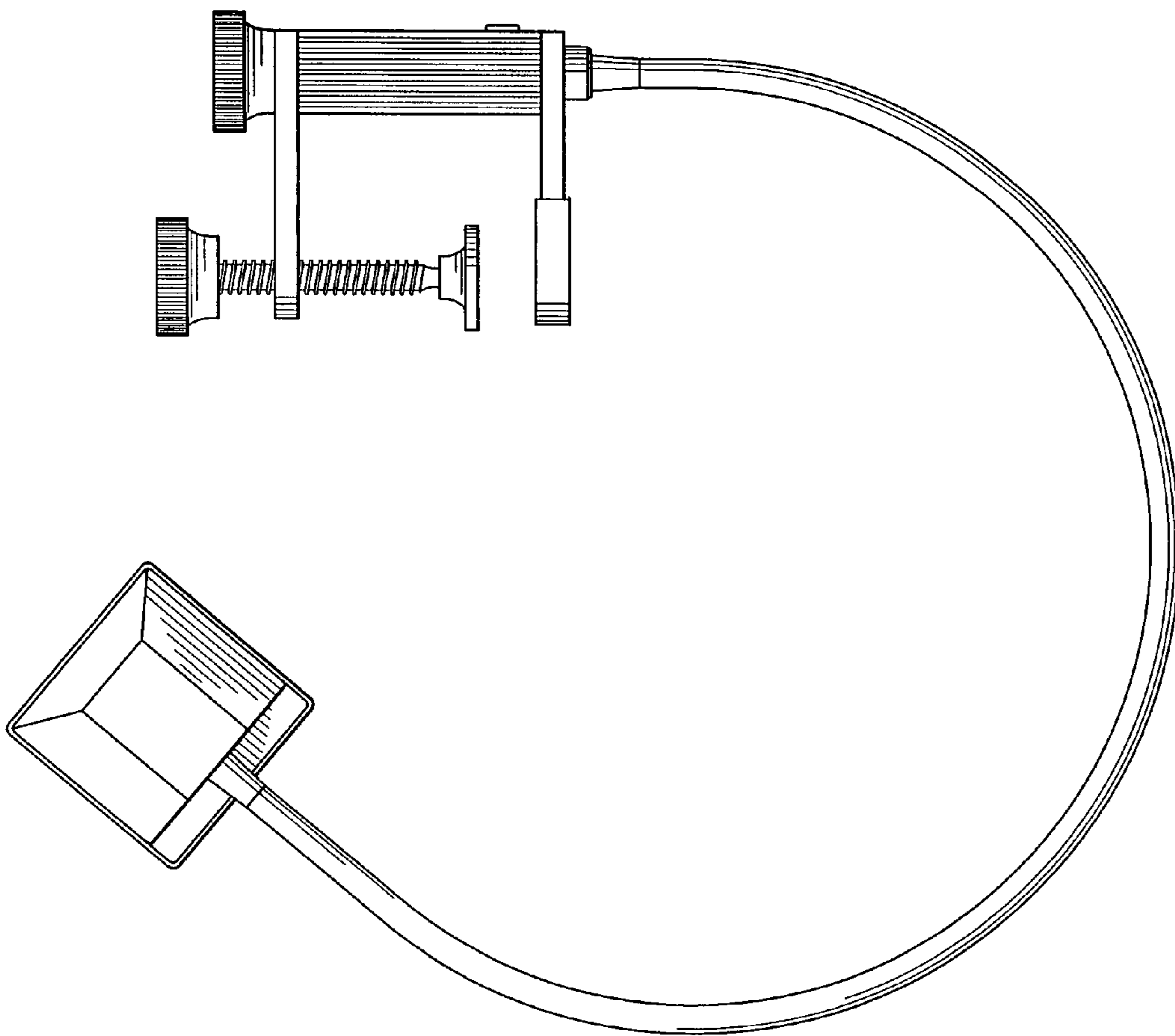


Fig. 5

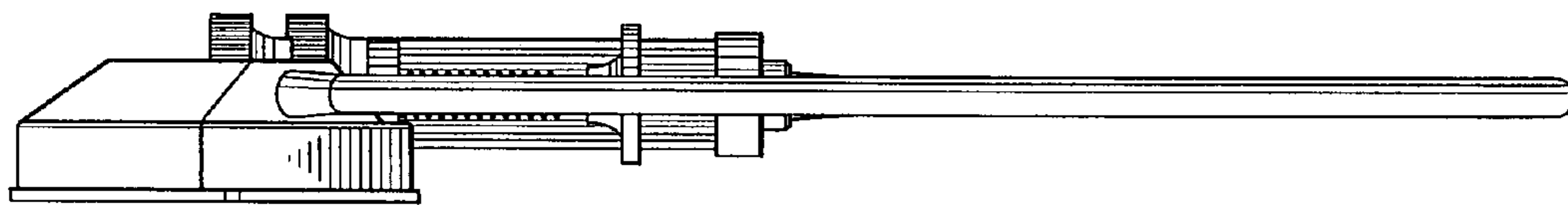


Fig. 6