



US00D573737S

(12) **United States Design Patent**
Lee

(10) **Patent No.:** **US D573,737 S**
(45) **Date of Patent:** **** Jul. 22, 2008**

- (54) **CEILING FAN LIGHT UNIT**
- (75) Inventor: **Emily M. Lee**, Monterey Park, CA (US)
- (73) Assignee: **Landmark Enterprise, Inc.**, Bandar Seri Begawan (BN)
- (**) Term: **14 Years**
- (21) Appl. No.: **29/263,044**
- (22) Filed: **Jul. 13, 2006**
- (51) **LOC (8) Cl.** **26-05**
- (52) **U.S. Cl.** **D26/59**
- (58) **Field of Classification Search** D23/411,
D23/377, 379, 385; D26/59, 51, 72, 81-86,
D26/88; 416/5; 362/96
See application file for complete search history.

- D485,344 S 1/2004 Tai
- D485,609 S 1/2004 Tai
- D485,611 S 1/2004 Tai
- D485,897 S 1/2004 Tai
- D490,888 S 6/2004 Tai
- D494,705 S 8/2004 Tai
- D501,578 S 2/2005 Tai
- D503,472 S 3/2005 Tai
- D503,473 S 3/2005 Tai
- D503,474 S 3/2005 Tai
- D503,475 S 3/2005 Tai
- D503,476 S 3/2005 Tai
- D503,795 S 4/2005 Tai
- D504,173 S 4/2005 Tai
- D505,724 S 4/2005 Tai
- D505,197 S 5/2005 Tai
- D507,644 S 7/2005 Tai
- D507,830 S 7/2005 Tai

(56) **References Cited**

U.S. PATENT DOCUMENTS

- D102,906 S * 1/1937 Lescaze D26/88
- 5,508,484 A 4/1996 Chen
- D396,530 S 7/1998 Tai
- D404,808 S 1/1999 Tai
- D404,809 S 1/1999 Tai
- D405,878 S 2/1999 Tai
- D408,073 S 4/1999 Tai
- D408,074 S 4/1999 Tai
- D408,516 S 4/1999 Tai
- D409,297 S 5/1999 Tai
- 6,059,531 A 5/2000 Tai
- 6,135,618 A 10/2000 Tai
- 6,259,025 B1 7/2001 Tai
- 6,379,116 B1 4/2002 Tai
- D457,947 S 5/2002 Tai
- 6,392,146 B1 5/2002 Tai
- D458,675 S 6/2002 Tai
- D478,381 S 8/2003 Tai
- D483,463 S 12/2003 Tai
- D483,464 S 12/2003 Tai
- D483,465 S 12/2003 Tai
- D483,847 S 12/2003 Tai
- D483,848 S 12/2003 Tai
- D483,850 S 12/2003 Tai
- D484,588 S 12/2003 Tai
- D484,849 S 12/2003 Tai
- D484,969 S 1/2004 Tai

* cited by examiner

Primary Examiner—Lisa Lichtenstein
(74) *Attorney, Agent, or Firm*—Morrison & Foerster LLP

(57) **CLAIM**

The ornamental design for a ceiling fan light unit, as shown and described.

DESCRIPTION

FIG. 1 is an enlarged perspective view of a ceiling fan having a light unit constructed in accordance with the present invention, the ceiling fan providing an environment for the light unit;

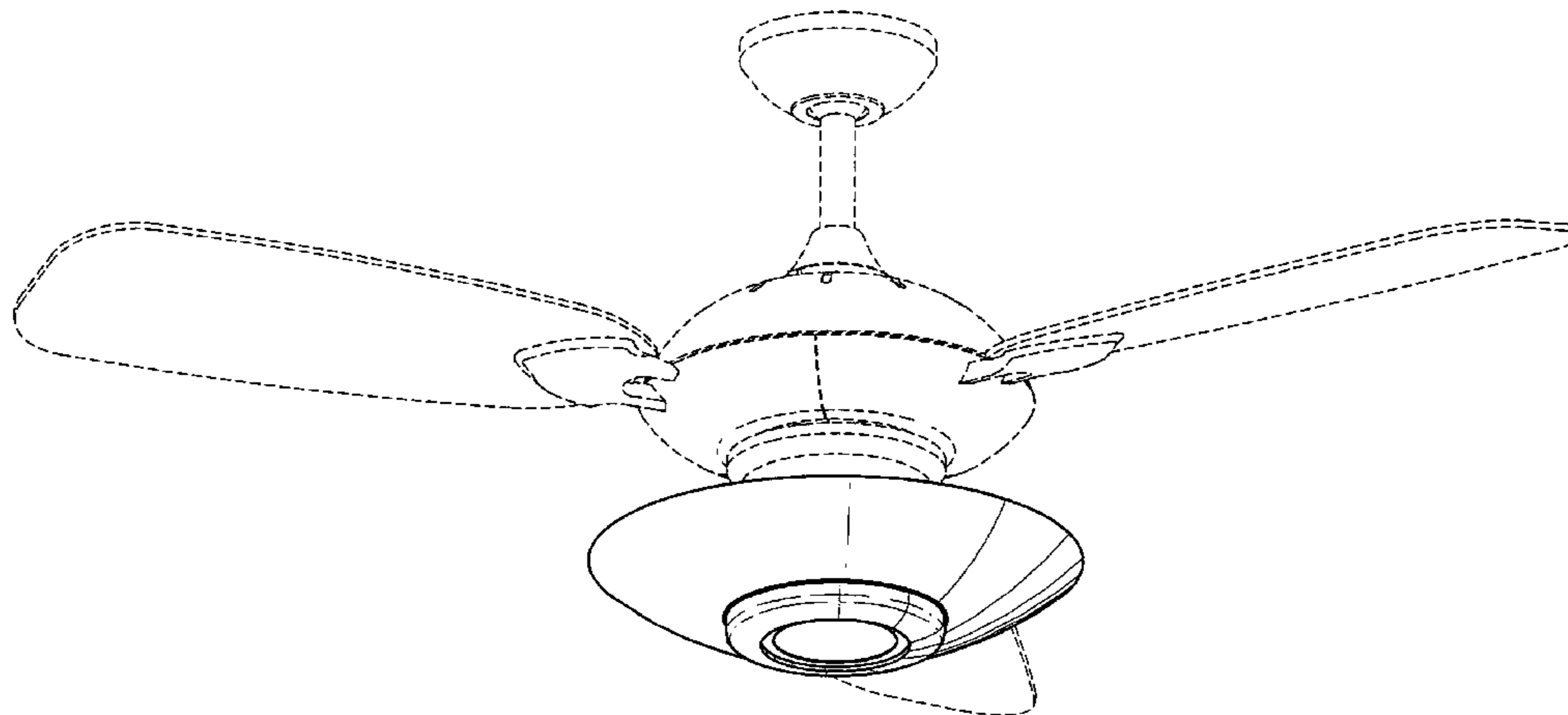
FIG. 2 is an enlarged perspective view of the light unit in accordance with the present invention;

FIG. 3 is an enlarged bottom view of the light unit in accordance with the present invention; and,

FIG. 4 is an enlarged side view of the light unit in accordance with the present invention.

The broken line showing of a ceiling fan canopy, support pole, motor housing, blades and blade irons is included for the purpose of illustrating environmental structure and forms no part of the claimed design.

1 Claim, 2 Drawing Sheets



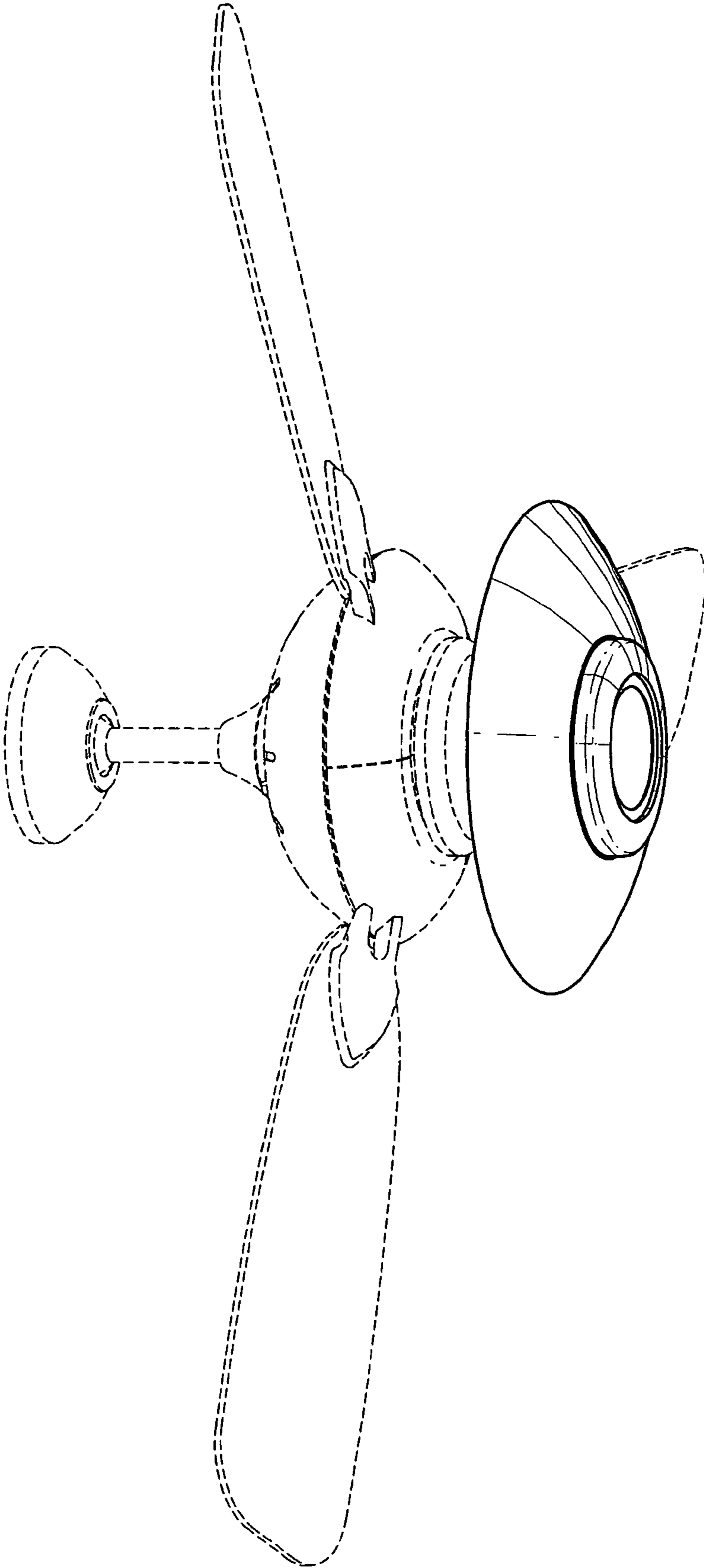


FIG. 1

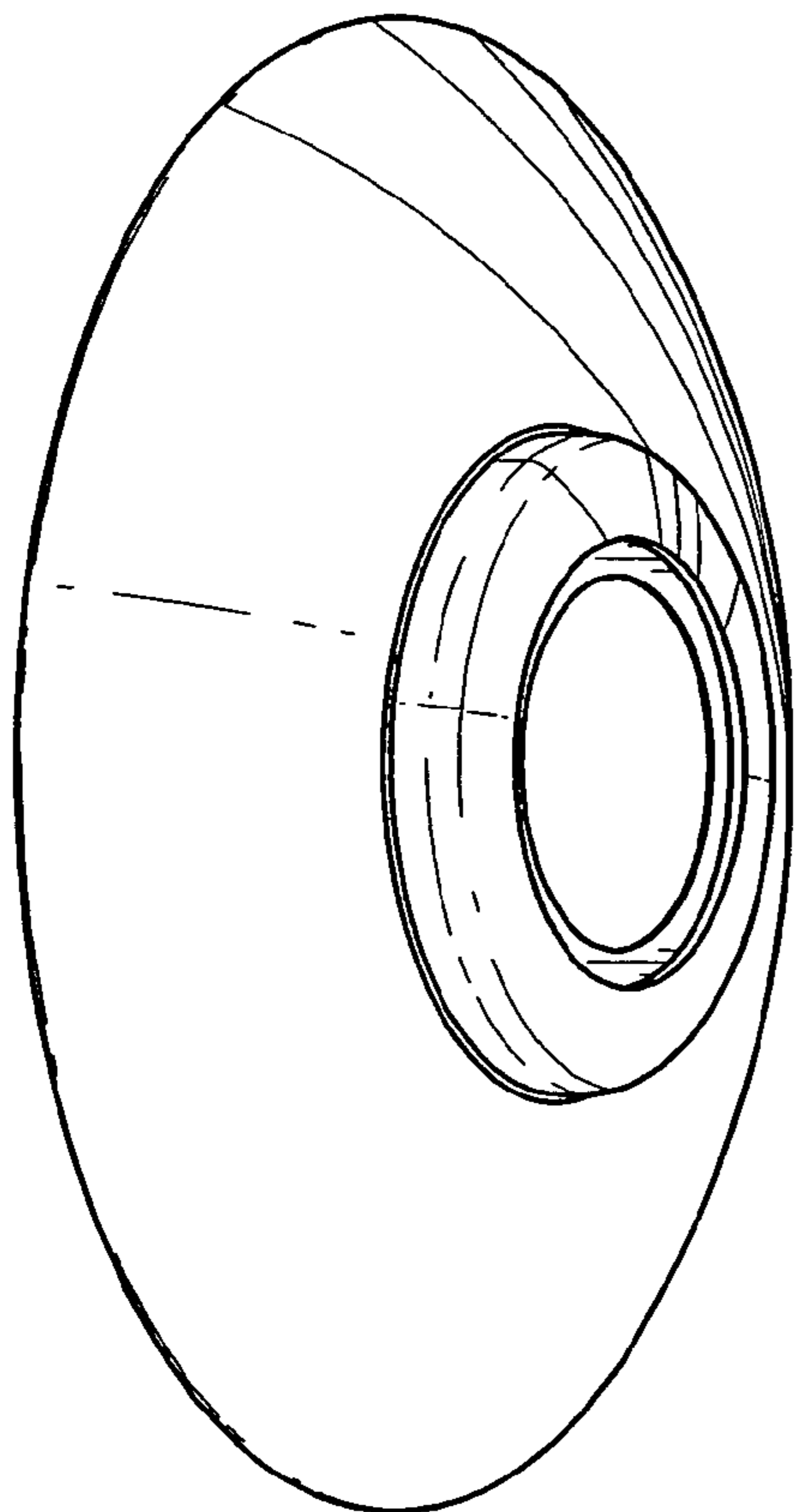


FIG. 2

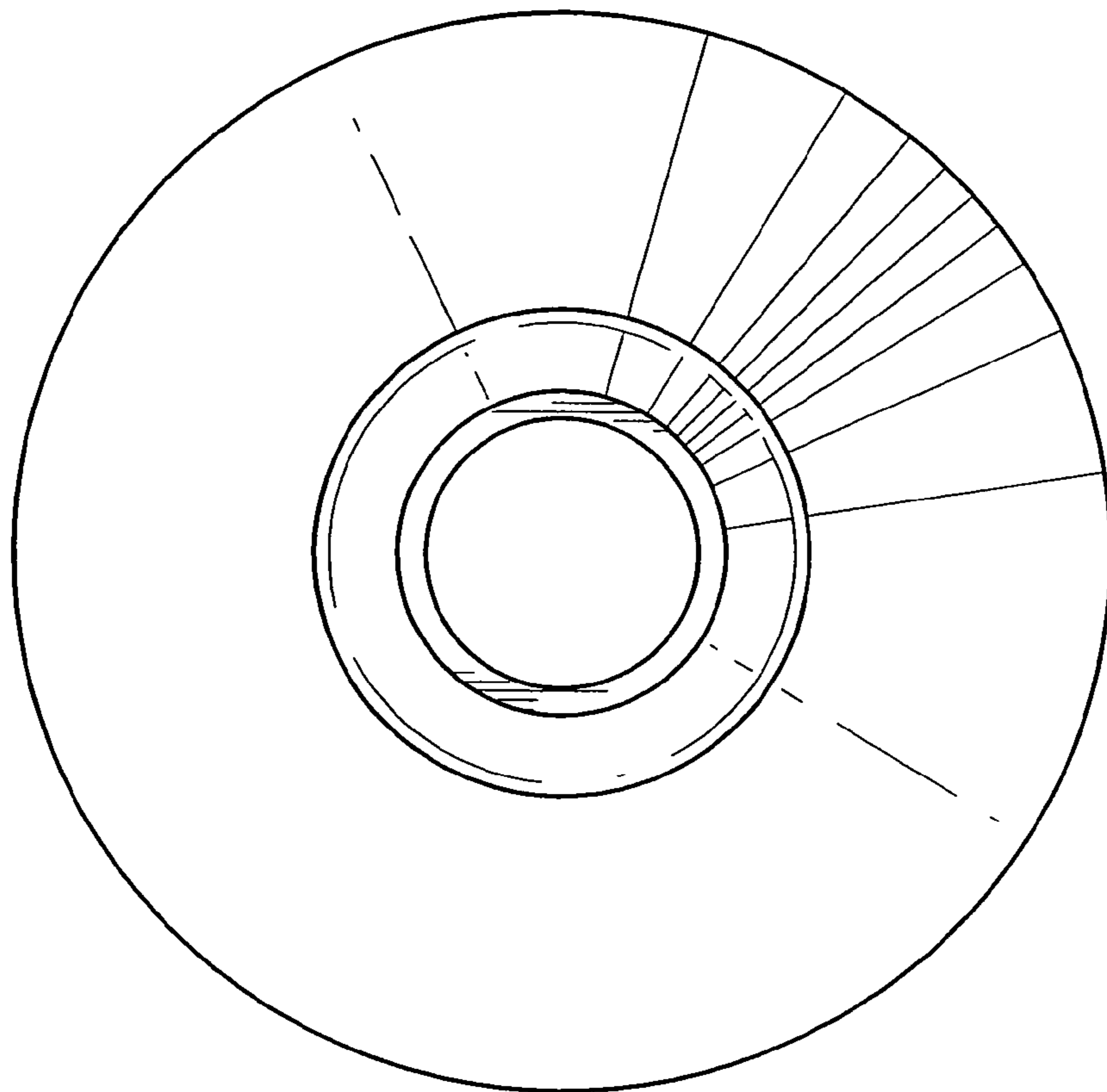


FIG. 3

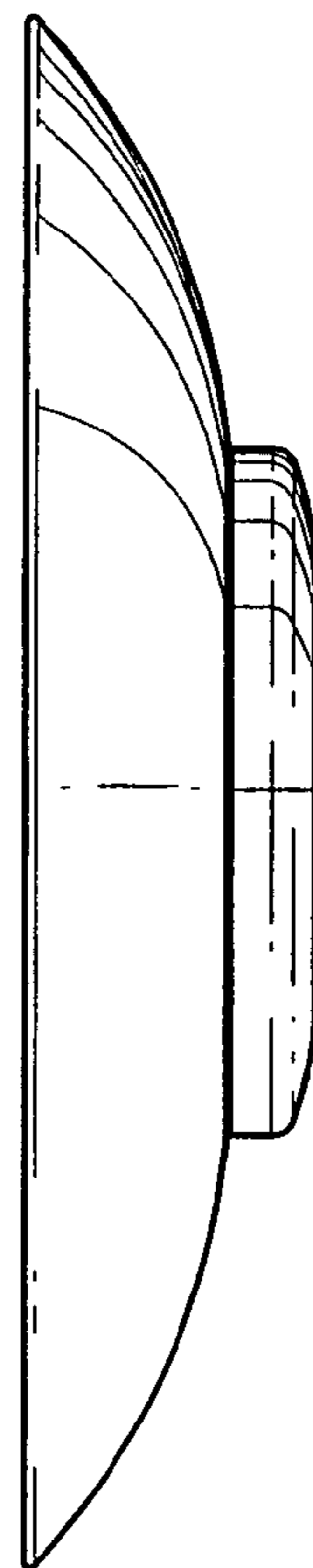


FIG. 4