



US00D573734S

(12) **United States Design Patent**  
**Watanabe et al.**

(10) **Patent No.:** **US D573,734 S**  
(45) **Date of Patent:** **\*\* Jul. 22, 2008**

(54) **HEADLIGHT FOR MOTORCYCLE**

(75) Inventors: **Tokumaru Watanabe**, Wako (JP);  
**Takashi Arai**, Wako (JP)

(73) Assignee: **Honda Motor Co., Ltd.**, Tokyo (JP)

(\*\*) Term: **14 Years**

(21) Appl. No.: **29/287,982**

(22) Filed: **Oct. 5, 2007**

(30) **Foreign Application Priority Data**

Apr. 6, 2007 (JP) ..... 2007-009130

(51) **LOC (8) Cl.** ..... **26-06**

(52) **U.S. Cl.** ..... **D26/28**

(58) **Field of Classification Search** ..... D26/28-36;  
362/459-468, 475-478, 485-487

See application file for complete search history.

(56) **References Cited**

**U.S. PATENT DOCUMENTS**

D448,871 S \* 10/2001 Kamata et al. .... D26/28  
D500,564 S \* 1/2005 Uemoto et al. .... D26/28  
D523,980 S \* 6/2006 Ito et al. .... D26/28  
D552,274 S \* 10/2007 Tanaka et al. .... D26/28

D555,260 S \* 11/2007 Uemoto et al. .... D26/28

\* cited by examiner

*Primary Examiner*—Marcus A. Jackson

(74) *Attorney, Agent, or Firm*—Birch, Stewart, Kolasch & Birch, LLP

(57) **CLAIM**

The ornamental design for a headlight for motorcycle, as shown and described.

**DESCRIPTION**

FIG. 1 is a front view of a headlight for motorcycle showing our new design;

FIG. 2 is a top plan view thereof;

FIG. 3 is a bottom plan view thereof;

FIG. 4 is a right side view thereof;

FIG. 5 is a left side view thereof;

FIG. 6 is a right front perspective view thereof;

FIG. 7 is a left front perspective view thereof;

FIG. 8 is right rear perspective view thereof; and,

FIG. 9 is a left rear perspective view thereof.

The broken lines shown in FIGS. 1-9 are for the purpose of showing environmental structure only and form no part of the claimed design.

**1 Claim, 5 Drawing Sheets**

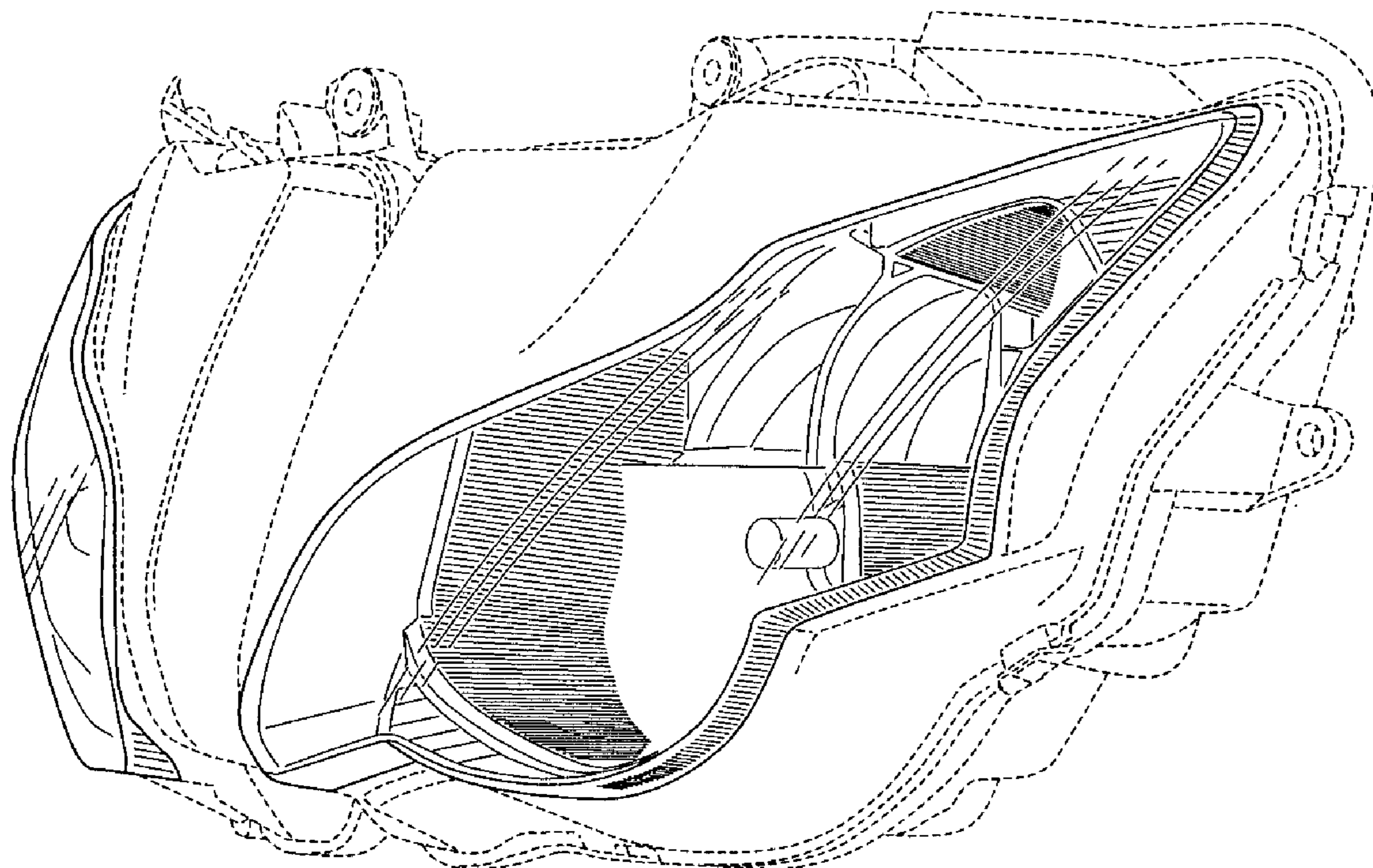


FIG. 1

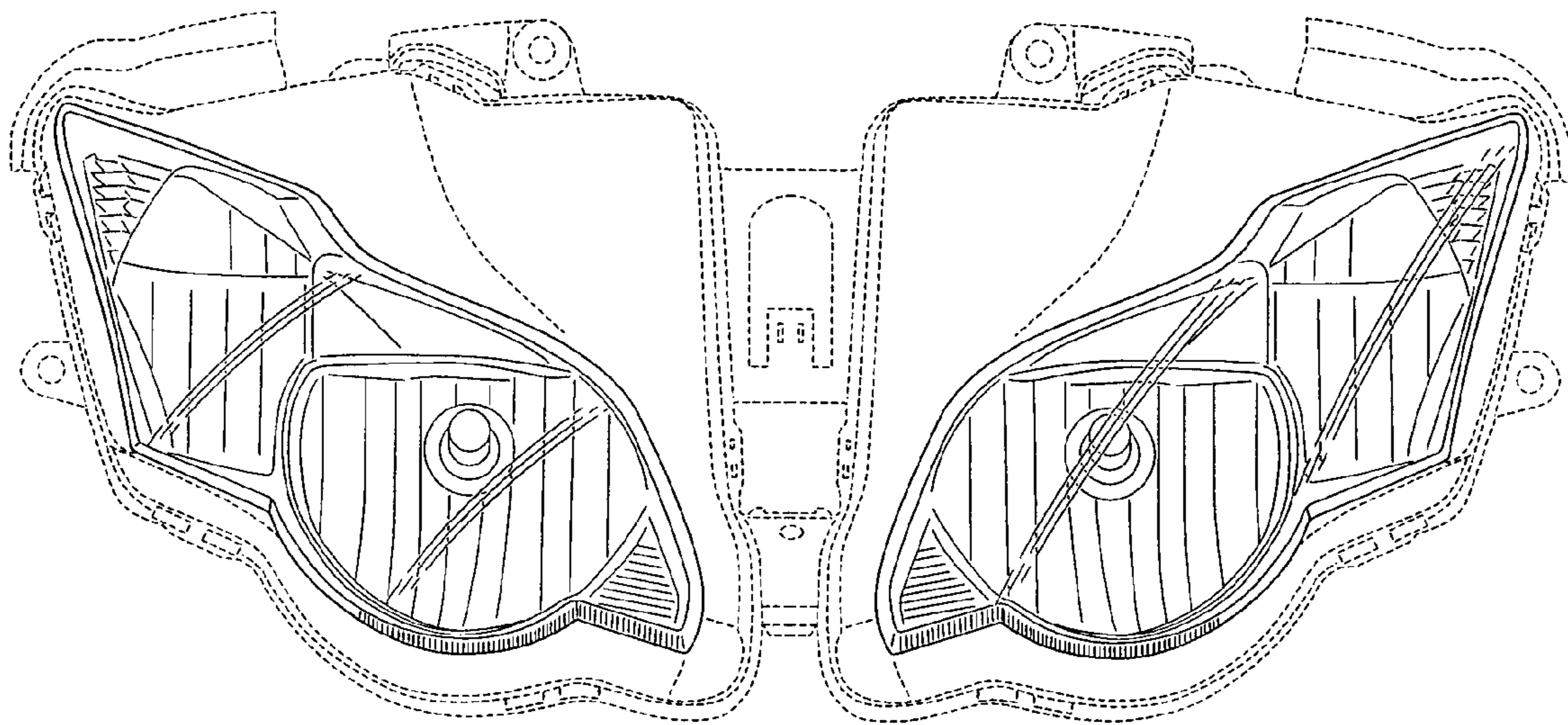


FIG. 2

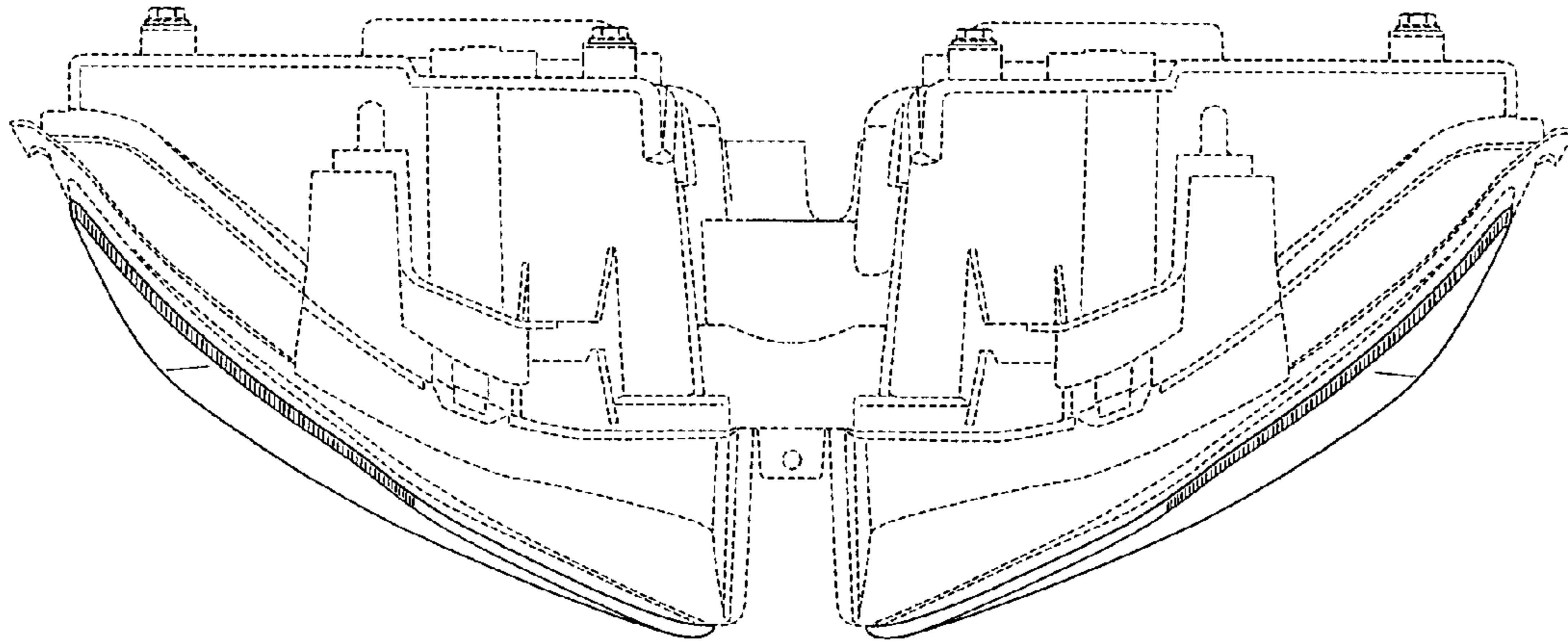
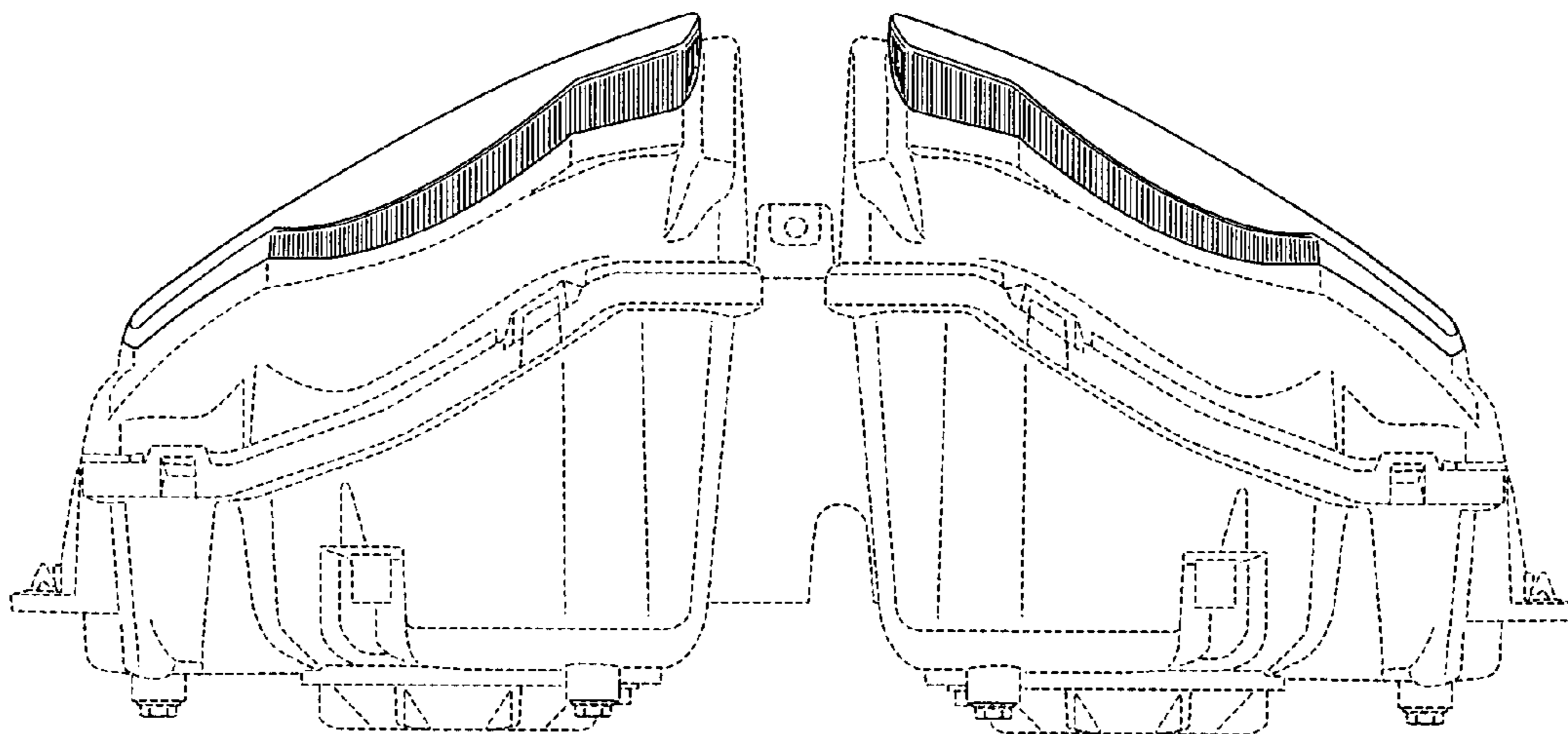
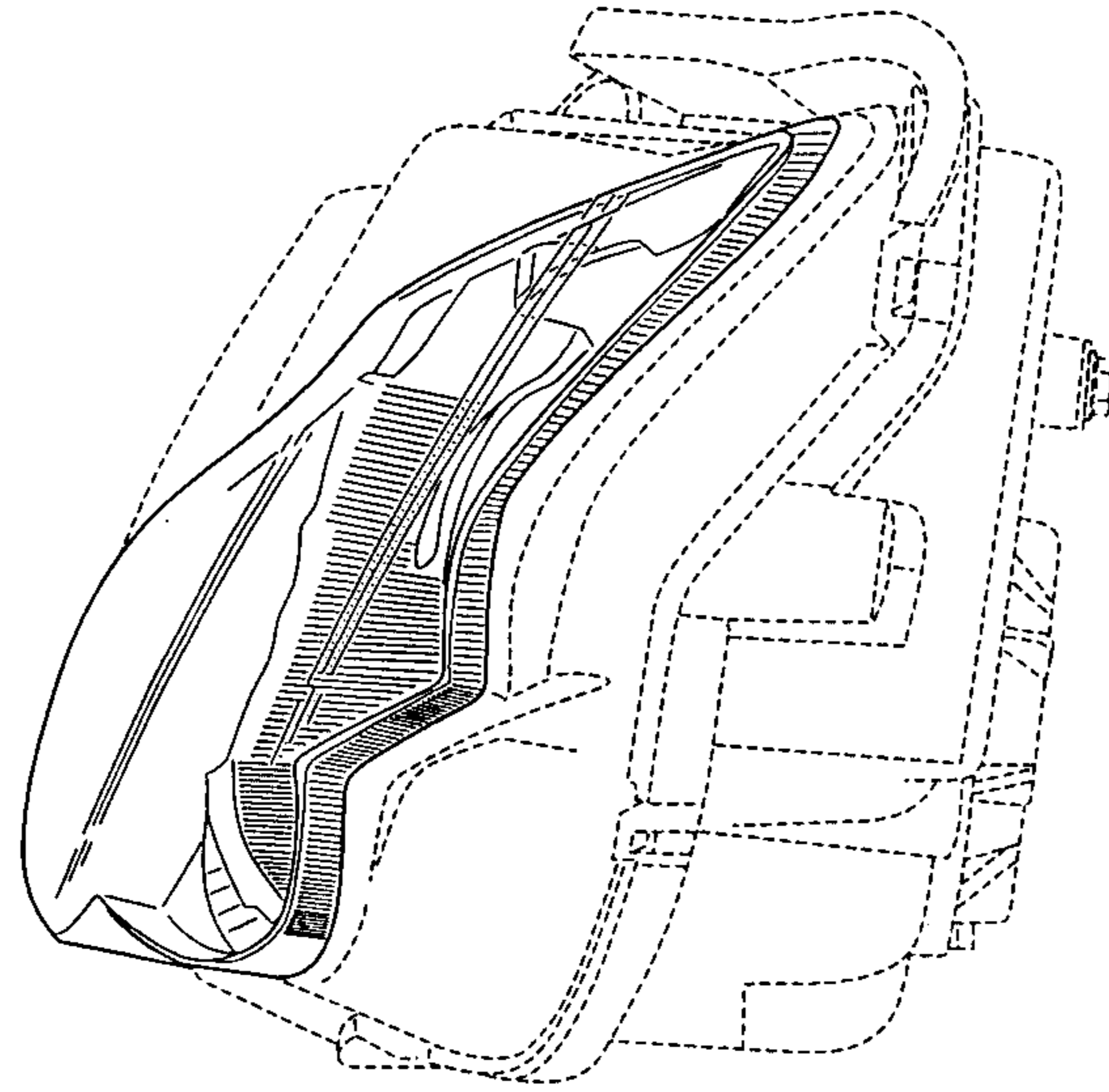


FIG. 3





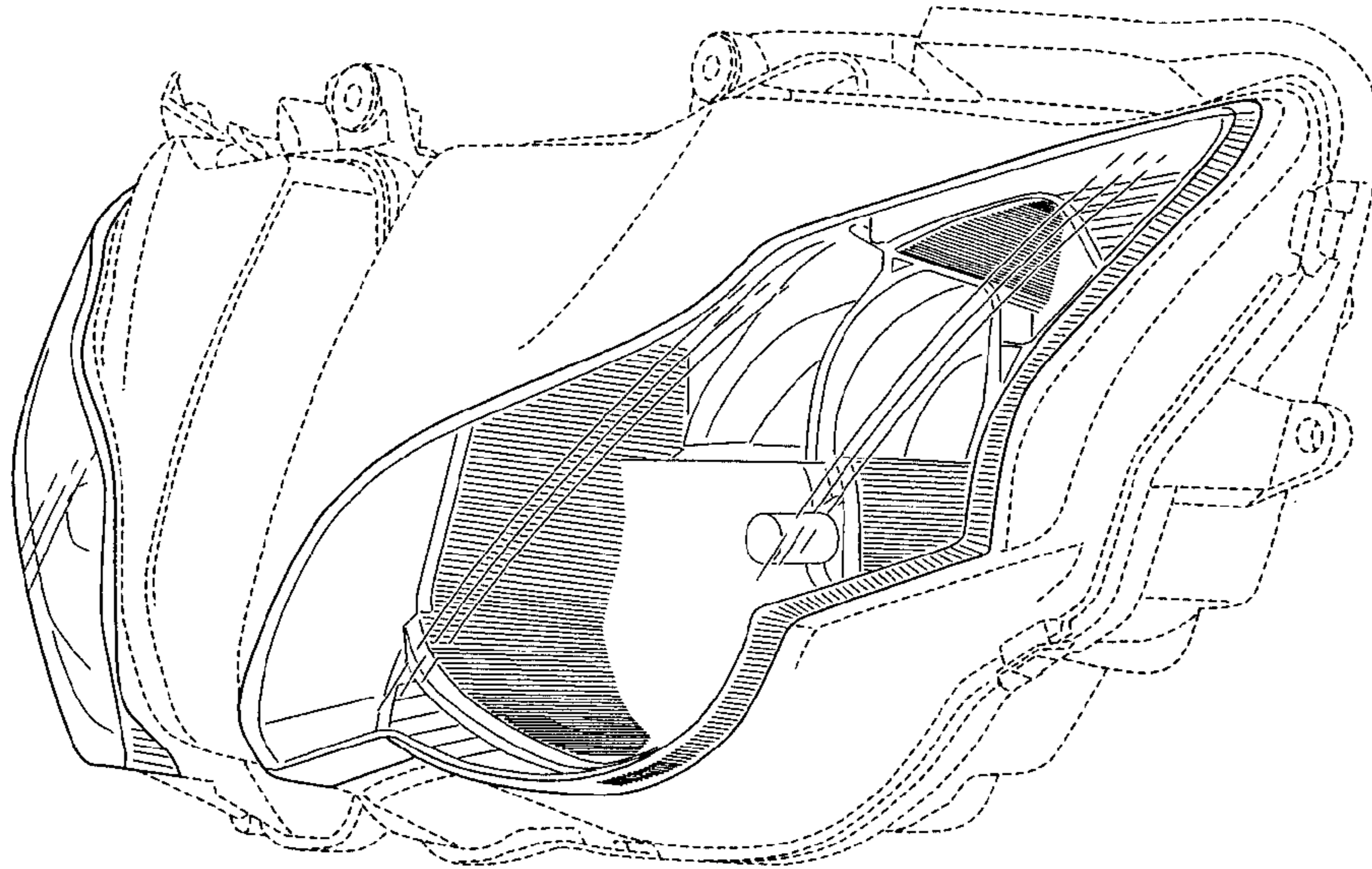
**FIG. 4**



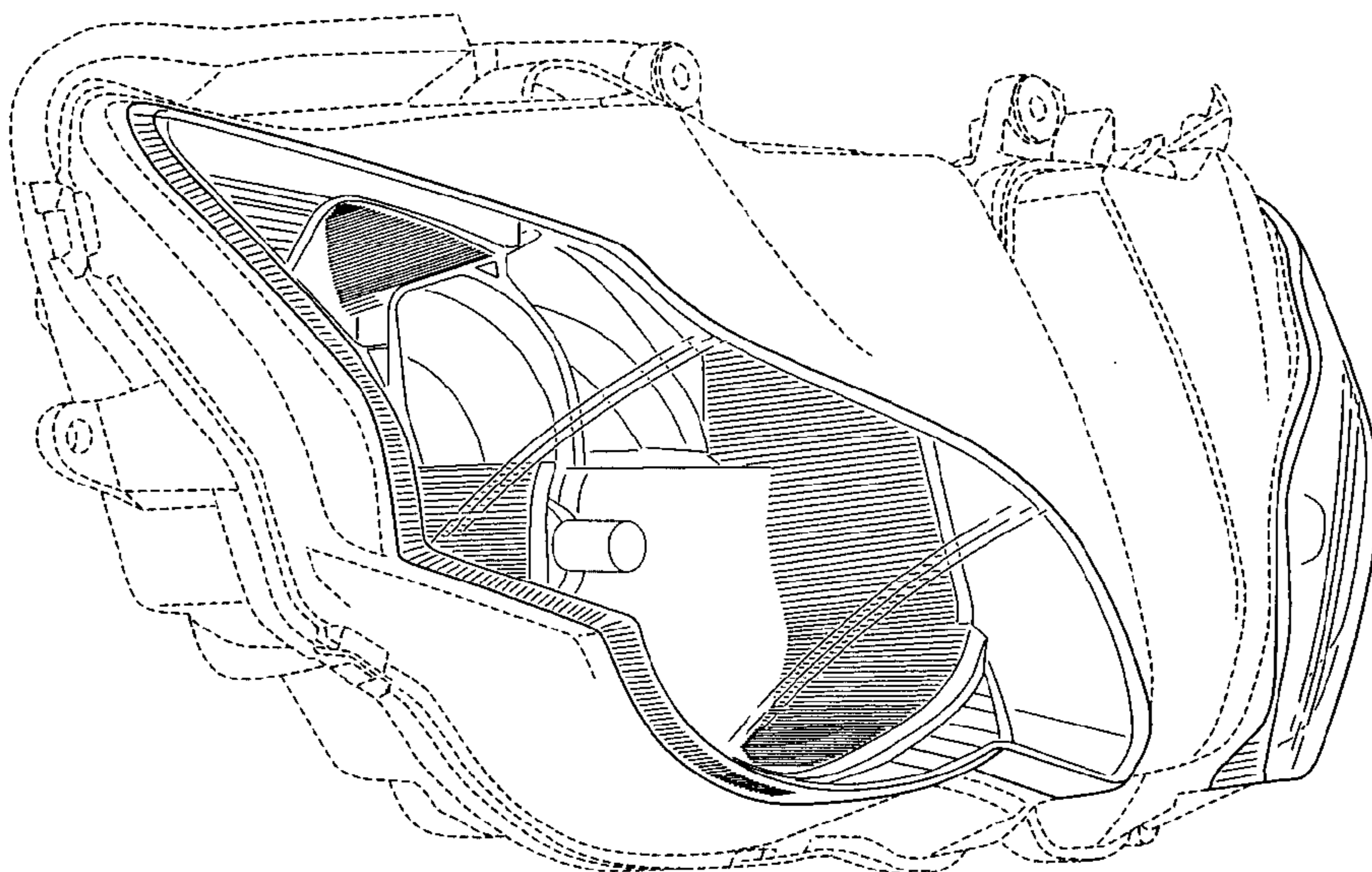
**FIG. 5**



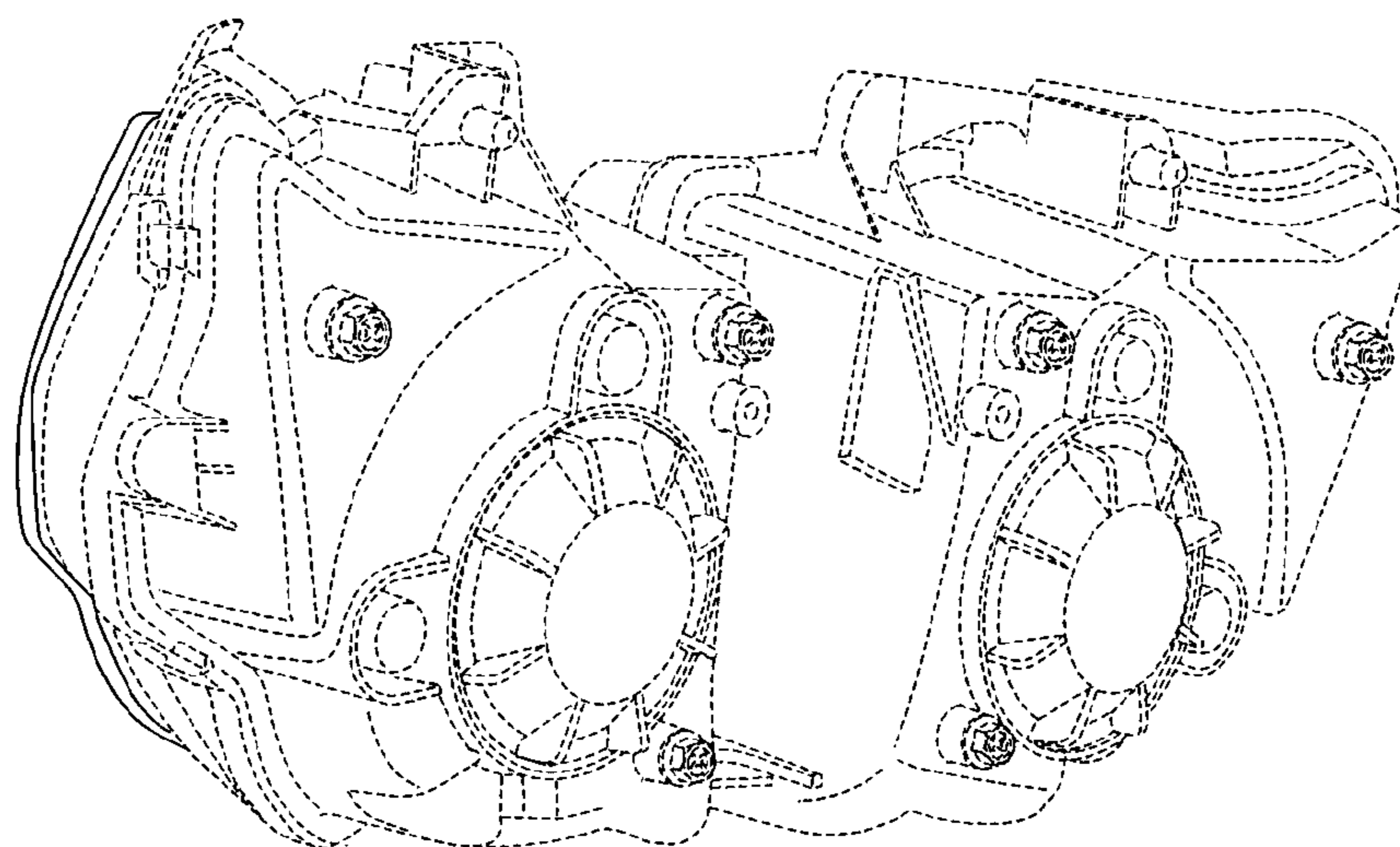
**FIG. 6**



**FIG. 7**



**FIG. 8**



**FIG. 9**

