

US00D573731S

(12) **United States Design Patent**  
**Uemoto et al.**

(10) **Patent No.:** **US D573,731 S**  
(45) **Date of Patent:** **\*\* Jul. 22, 2008**

(54) **LIGHTING APPARATUS**

(75) Inventors: **Takaari Uemoto**, Kadoma (JP); **Keiji Nishimoto**, Kadoma (JP); **Yasuharu Ueno**, Kadoma (JP); **Satoshi Shida**, Kadoma (JP); **Yuji Omata**, Kadoma (JP)

(73) Assignee: **Matsushita Electric Industrial Co., Ltd.**, Osaka (JP)

(\*\*) Term: **14 Years**

(21) Appl. No.: **29/299,102**

(22) Filed: **Dec. 19, 2007**

**Related U.S. Application Data**

(62) Division of application No. 29/270,326, filed on Dec. 19, 2006.

(30) **Foreign Application Priority Data**

Jun. 20, 2006 (JP) ..... 2006-15950  
Jun. 20, 2006 (JP) ..... 2006-15951

(51) **LOC (8) Cl.** ..... **26-04**

(52) **U.S. Cl.** ..... **D26/24; D26/1**

(58) **Field of Classification Search** ..... D26/24,  
D26/1, 2, 37, 72, 74, 80, 81, 83, 93, 105,  
D26/113, 25; D13/180, 182; 362/612, 631,  
362/555, 89, 147, 153, 257, 800; 257/79,  
257/80, 82, 88, 433; 313/500

See application file for complete search history.

(56) **References Cited**

**U.S. PATENT DOCUMENTS**

5,325,384 A \* 6/1994 Herb et al. .... 372/36  
5,748,161 A \* 5/1998 Leby et al. .... 345/84  
6,862,304 B2 \* 3/2005 Maurer et al. .... 372/36  
D528,672 S \* 9/2006 Nagai et al. .... D26/1  
D529,203 S \* 9/2006 Nagai ..... D26/1  
7,101,061 B2 \* 9/2006 Nagai et al. .... 362/294  
7,157,853 B2 \* 1/2007 Imai et al. .... 313/512

D548,199 S \* 8/2007 Chen ..... D13/182  
D560,293 S \* 1/2008 Uemoto et al. .... D26/37  
2002/0024096 A1 \* 2/2002 Yamazaki et al. .... 257/359  
2004/0016932 A1 \* 1/2004 Kondo ..... 257/80  
2005/0008052 A1 \* 1/2005 Nomura et al. .... 372/39  
2005/0211990 A1 \* 9/2005 Lee et al. .... 257/79  
2006/0044828 A1 \* 3/2006 Kim et al. .... 362/613  
2006/0108913 A1 \* 5/2006 Cok ..... 313/500

**FOREIGN PATENT DOCUMENTS**

JP 2003-124528 4/2003

**OTHER PUBLICATIONS**

Uemoto et al., U.S. Design Application entitled "Lighting Apparatus," U.S. Appl. No. 29/270,316, filed Dec. 19, 2006.  
Uemoto et al., U.S. Design Application entitled "Lighting Apparatus," U.S. Appl. No. 29/270,341, filed Dec. 19, 2006.

\* cited by examiner

*Primary Examiner*—Cathron Brooks

*Assistant Examiner*—Angela J Lee

(74) *Attorney, Agent, or Firm*—Brinks Hofer Gilson & Lione

(57) **CLAIM**

We claim the ornamental design for a lighting apparatus, as shown and described.

**DESCRIPTION**

FIG. 1 is a top perspective view of a lighting apparatus of the present invention;

FIG. 2 is a front view thereof, the rear view being a mirror image thereof;

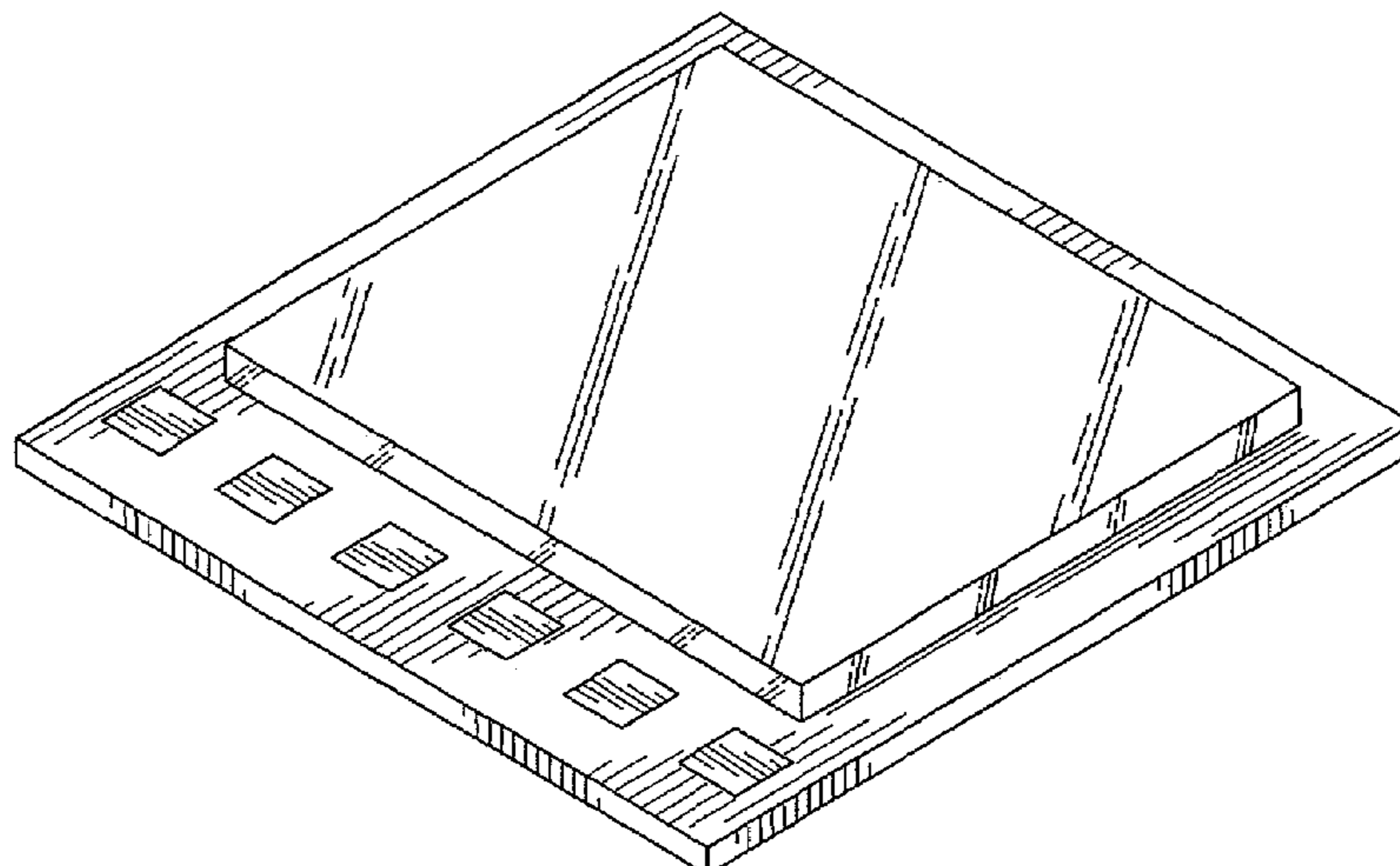
FIG. 3 is a left side view thereof, the right side view being a mirror image thereof;

FIG. 4 is a top view thereof; and,

FIG. 5 is a bottom view thereof.

An elevation on a substrate is opaque. The squares are electrodes.

**1 Claim, 3 Drawing Sheets**



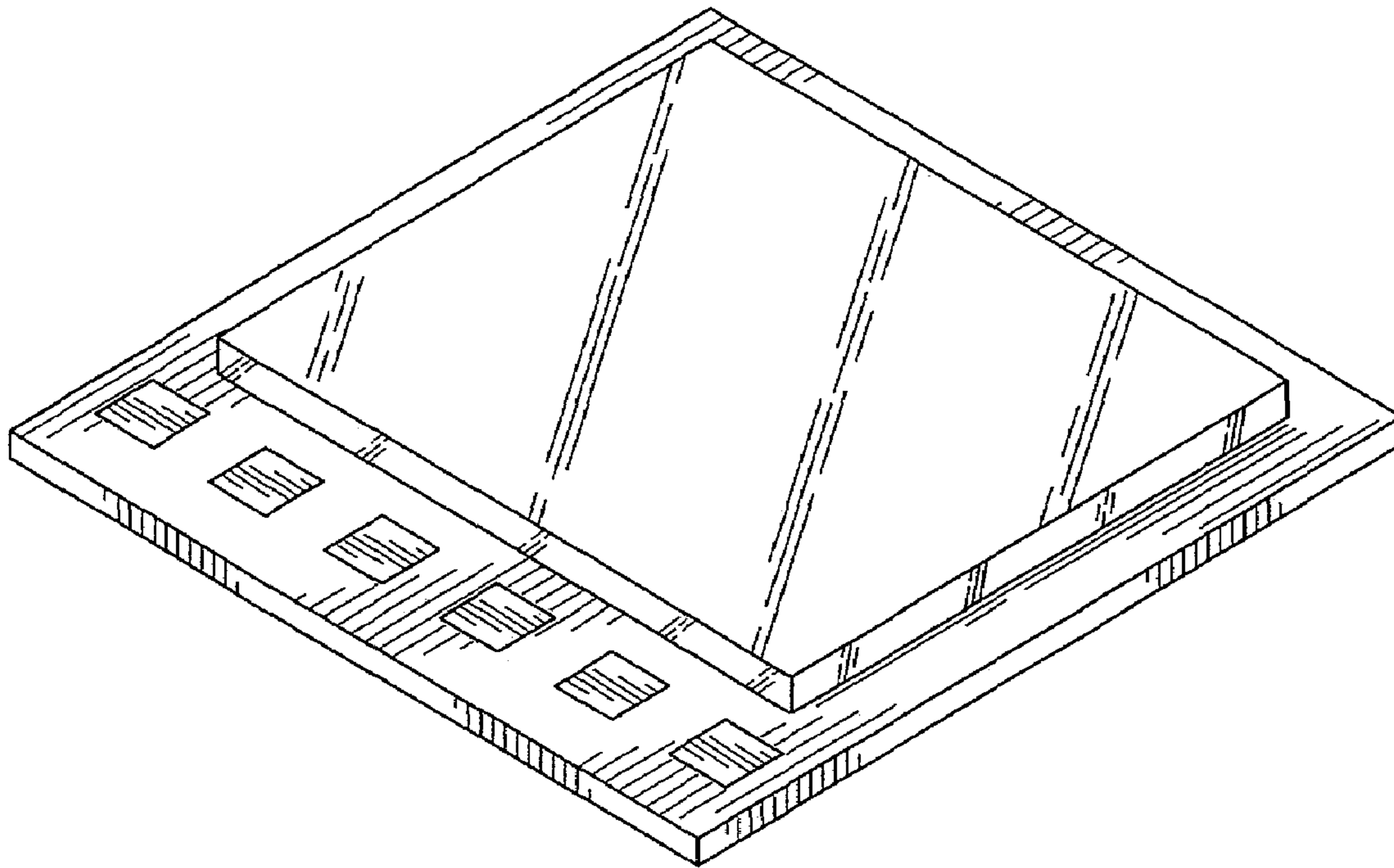


FIG. 1

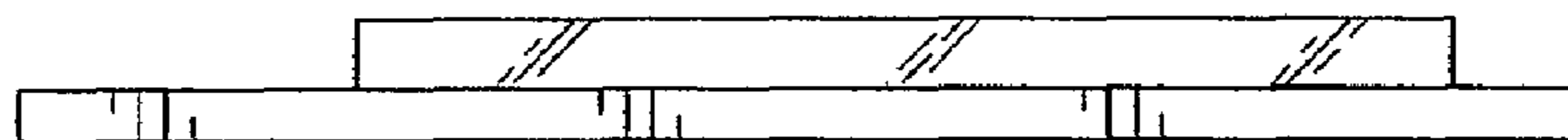


FIG. 2

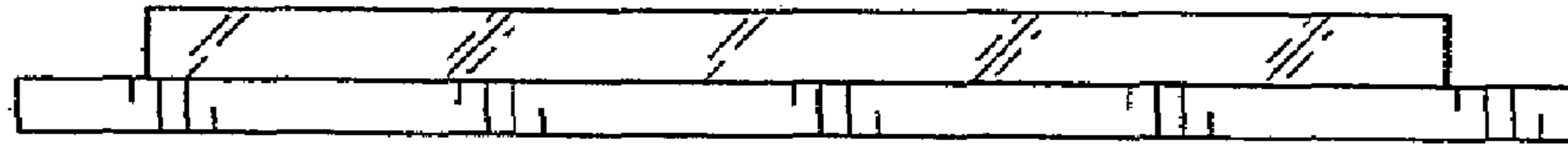


FIG. 3

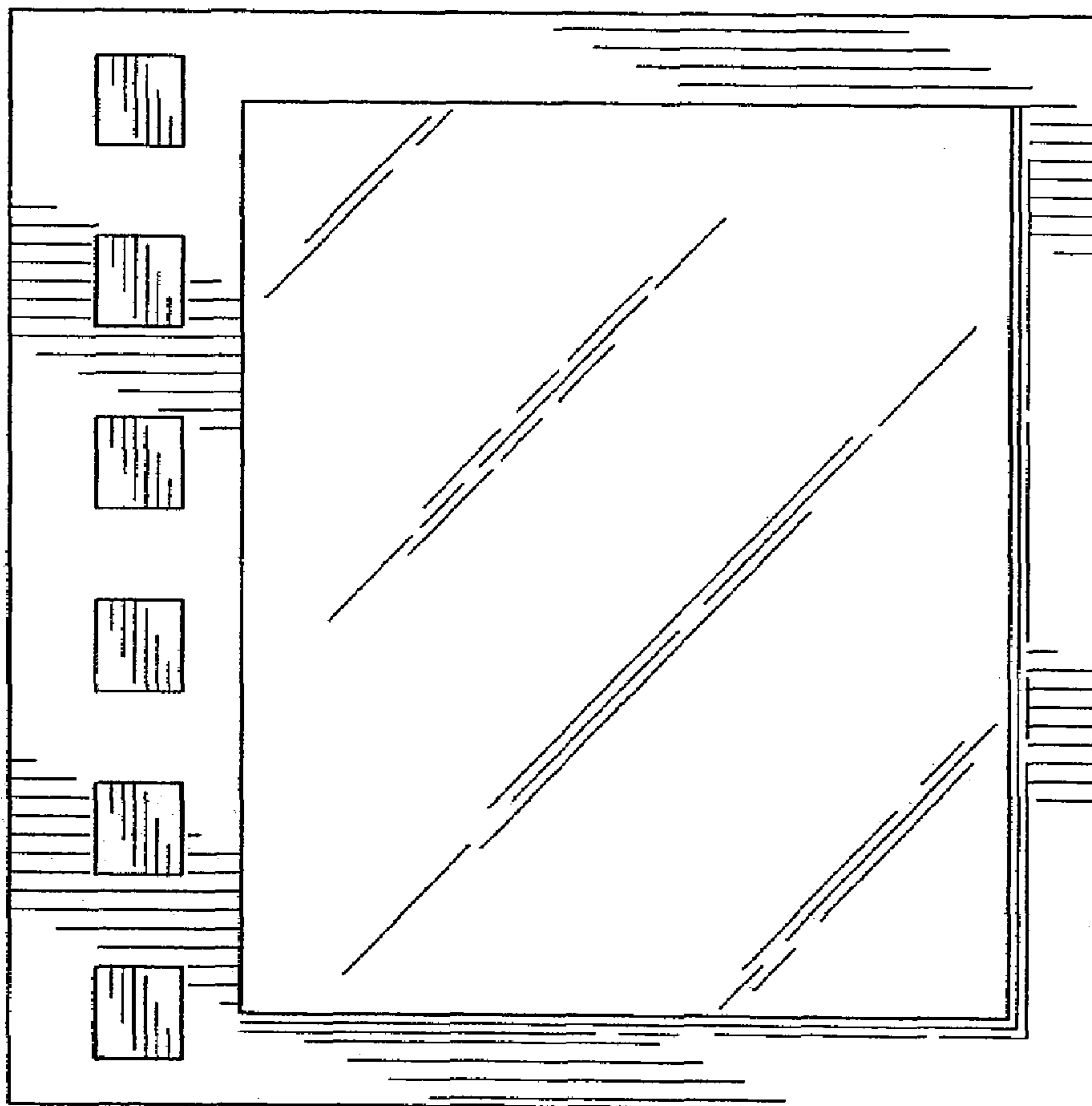
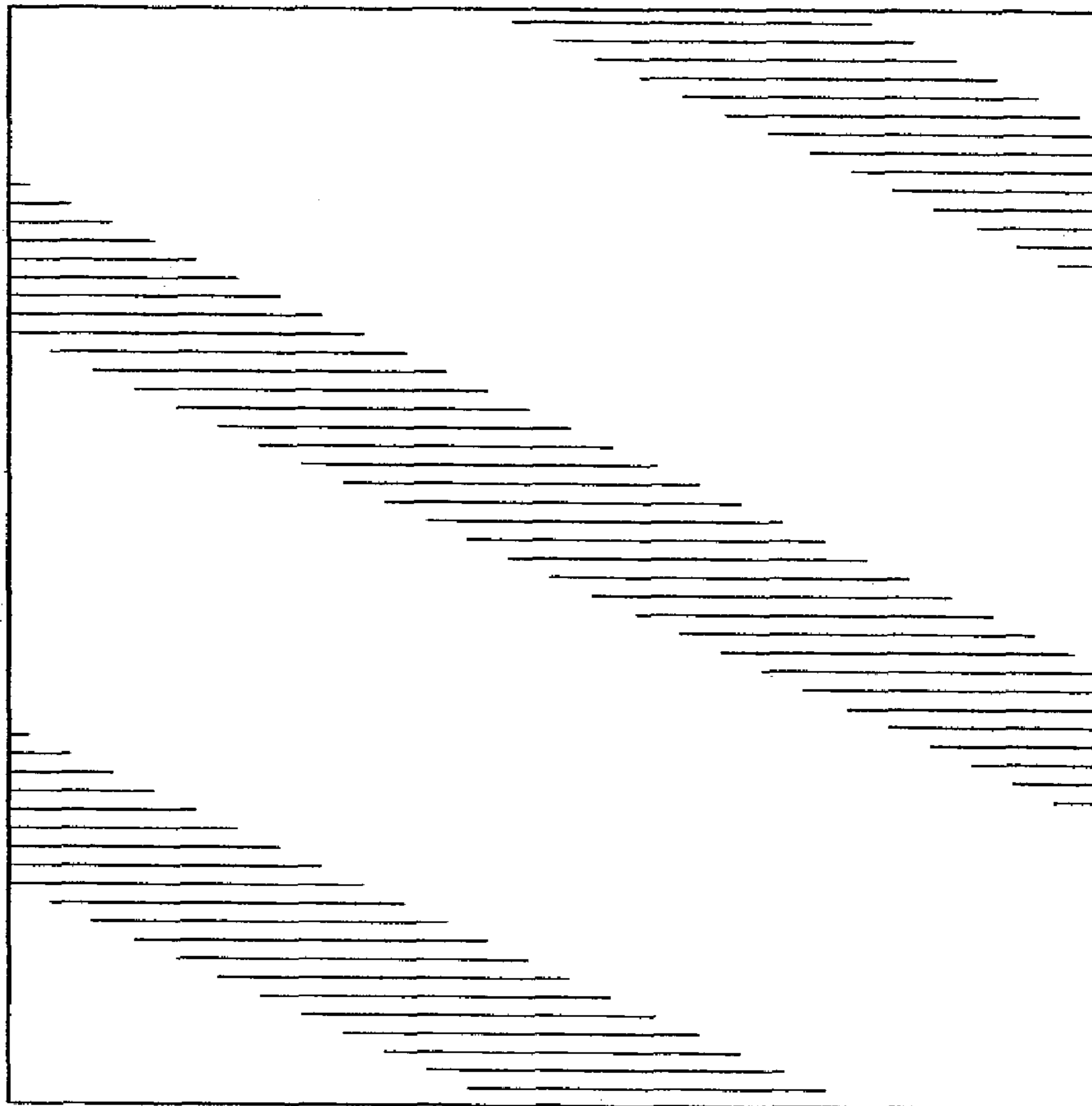


FIG. 4



*FIG.5*