



US00D573725S

(12) **United States Design Patent**  
**Iszauk**

(10) **Patent No.:** **US D573,725 S**

(45) **Date of Patent:** **\*\* \*Jul. 22, 2008**

(54) **DIHEDRAL BEAM FOR STRUCTURAL SYSTEMS**

5,791,115 A \* 8/1998 Nicolai et al. .... 52/730.4

\* cited by examiner

(76) Inventor: **Steven I. Iszauk**, 1246 Catalina Dr.,  
Monroeville, PA (US) 15146

*Primary Examiner*—Doris Clark

(74) *Attorney, Agent, or Firm*—Matis Baum Rizza O'Connor

(\* ) Notice: This patent is subject to a terminal disclaimer.

(57) **CLAIM**

(\*\*) Term: **14 Years**

I claim the ornamental design for dihedral beam for structural systems, as shown and described.

(21) Appl. No.: **29/251,665**

**DESCRIPTION**

(22) Filed: **Jan. 11, 2006**

FIG. 1 is a perspective view of my design for the dihedral beam for structural systems. The beam is broken in the center indicating indefinite length.

(51) **LOC (8) Cl.** ..... **25-01**

(52) **U.S. Cl.** ..... **D25/122**

(58) **Field of Classification Search** ..... D25/126,  
D25/127, 129, 122; 52/726.2, 731.2, 737.6  
See application file for complete search history.

FIG. 2 is a front elevation view of dihedral beam for structural systems shown in FIG. 1.

FIG. 3 is further embodiment of my design for a dihedral beam for structural systems. The beam is broken in the center indicating indefinite length; and,

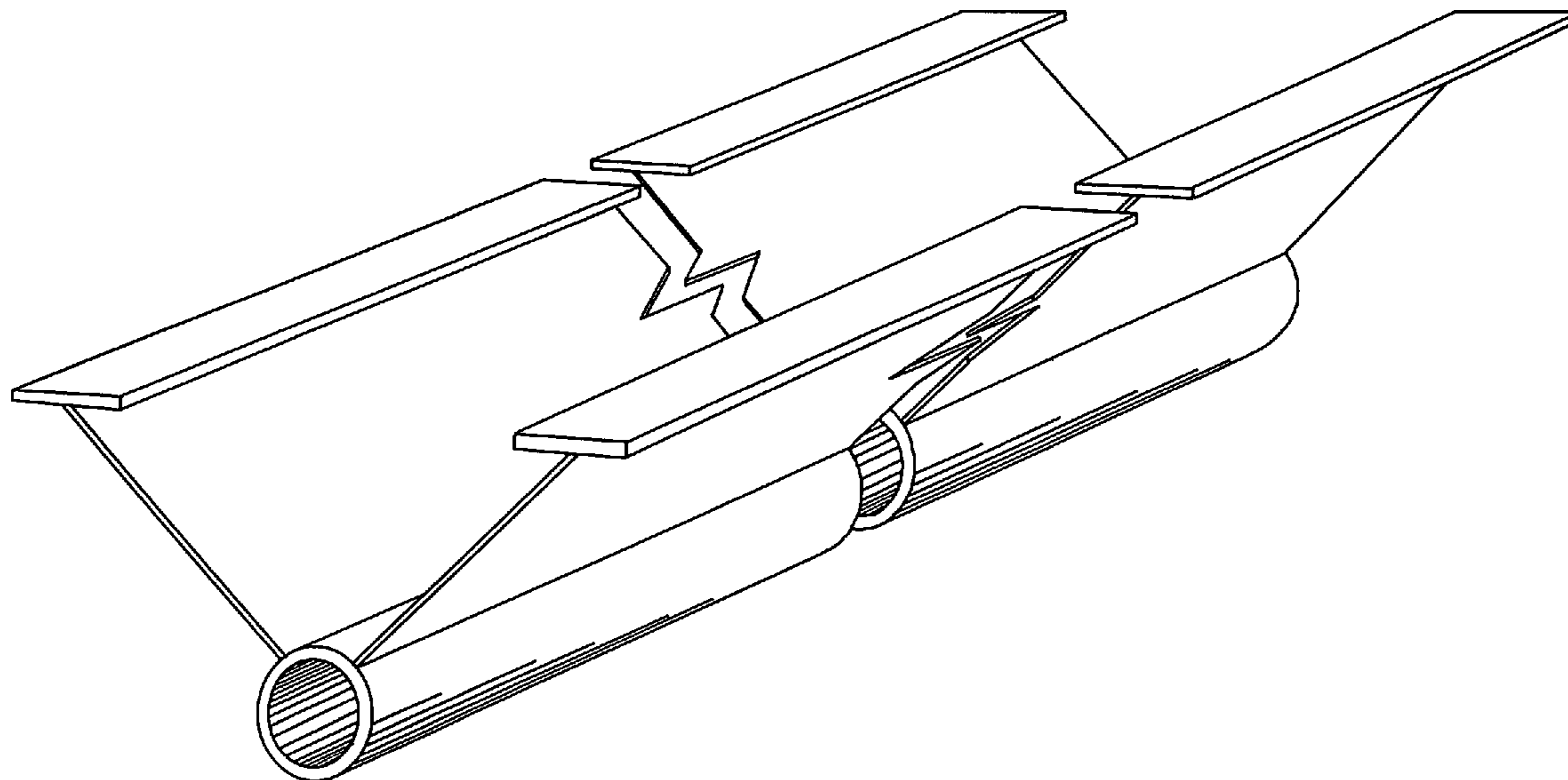
(56) **References Cited**

**U.S. PATENT DOCUMENTS**

D260,557 S \* 9/1981 Bowman ..... D25/121  
D260,684 S \* 9/1981 Bowman ..... D25/122

FIG. 4 is a front elevation view of the dihedral beam for structural systems of FIG. 3.

**1 Claim, 4 Drawing Sheets**



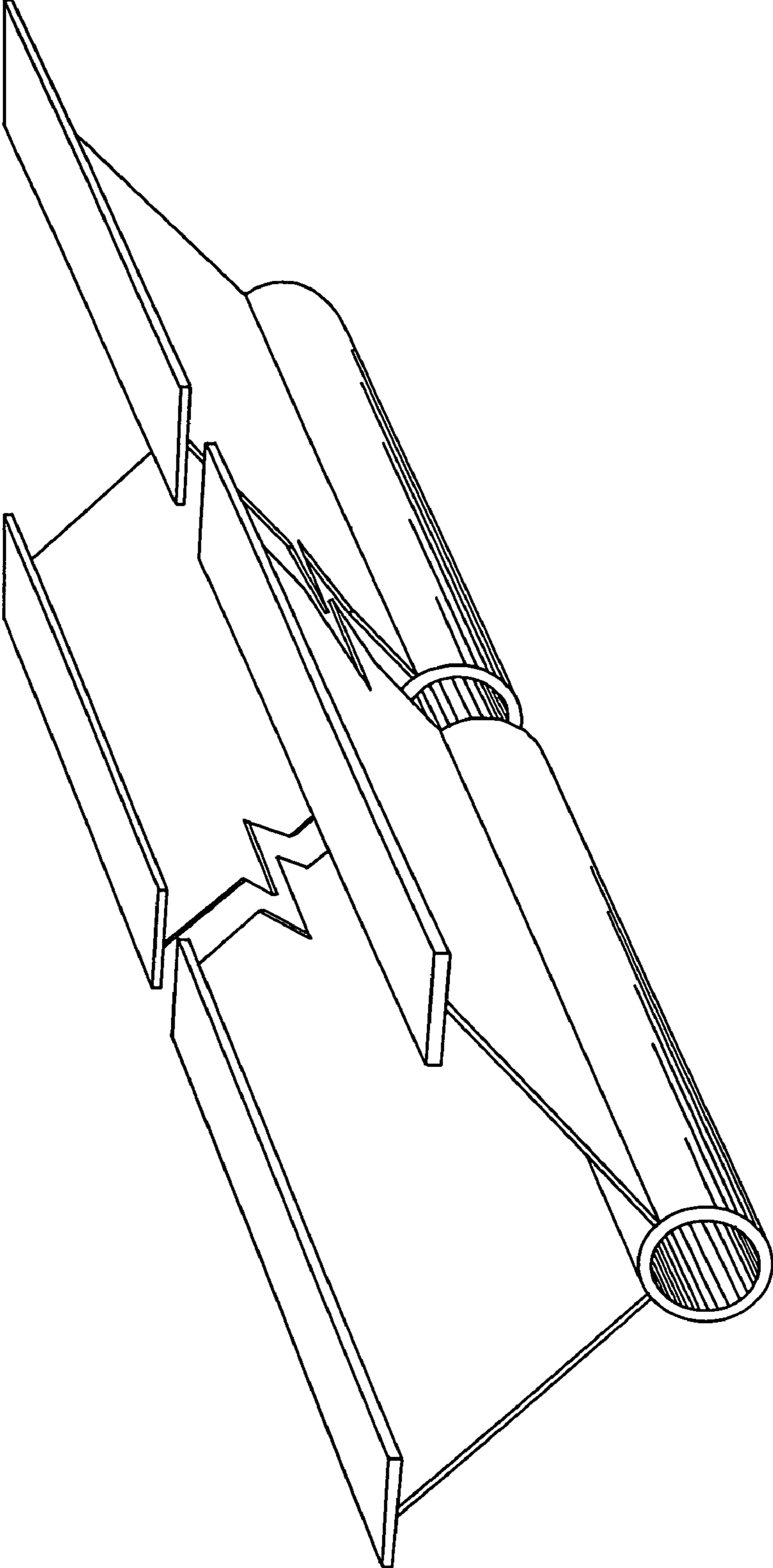


FIG. 1

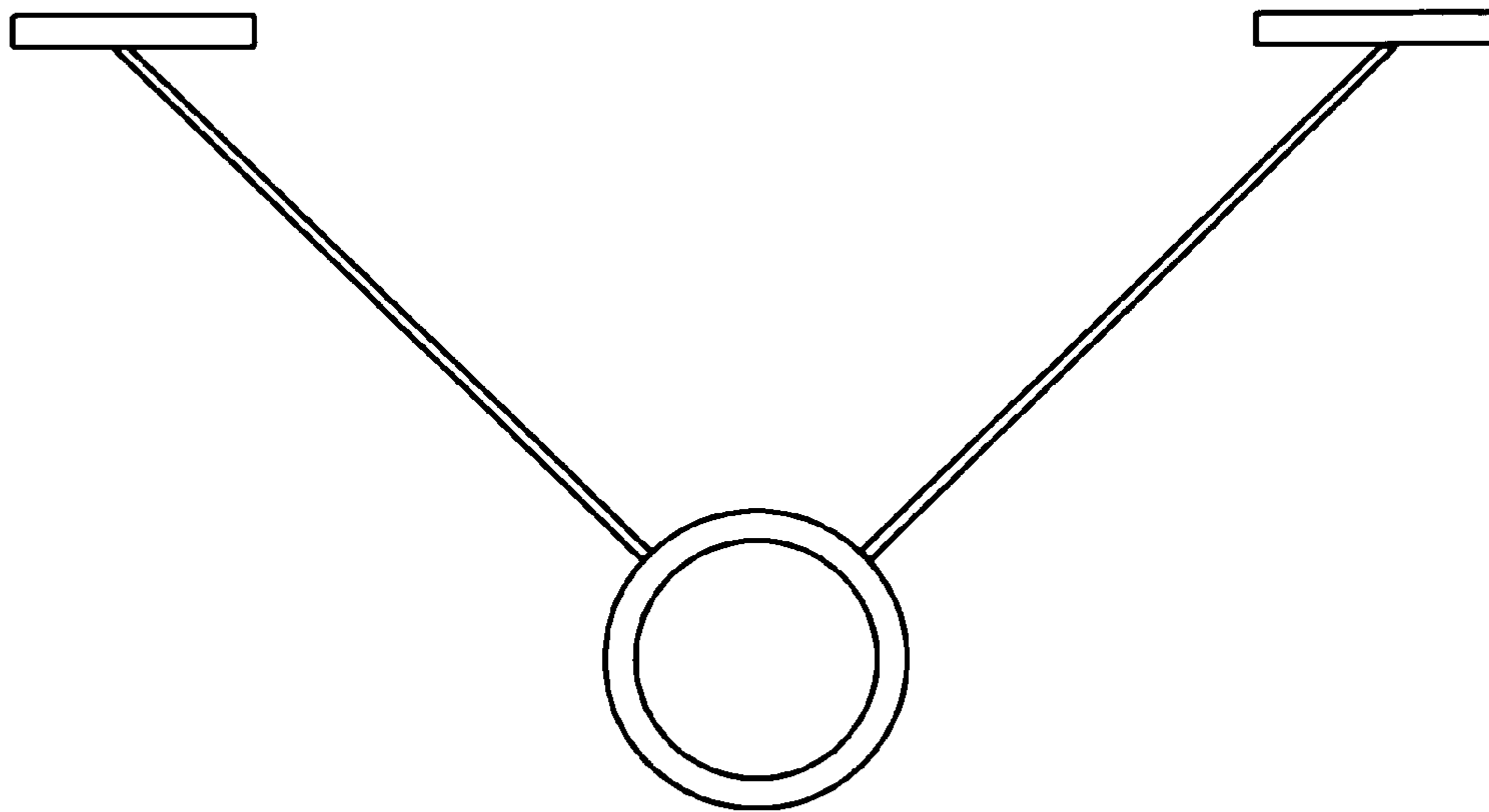


FIG. 2

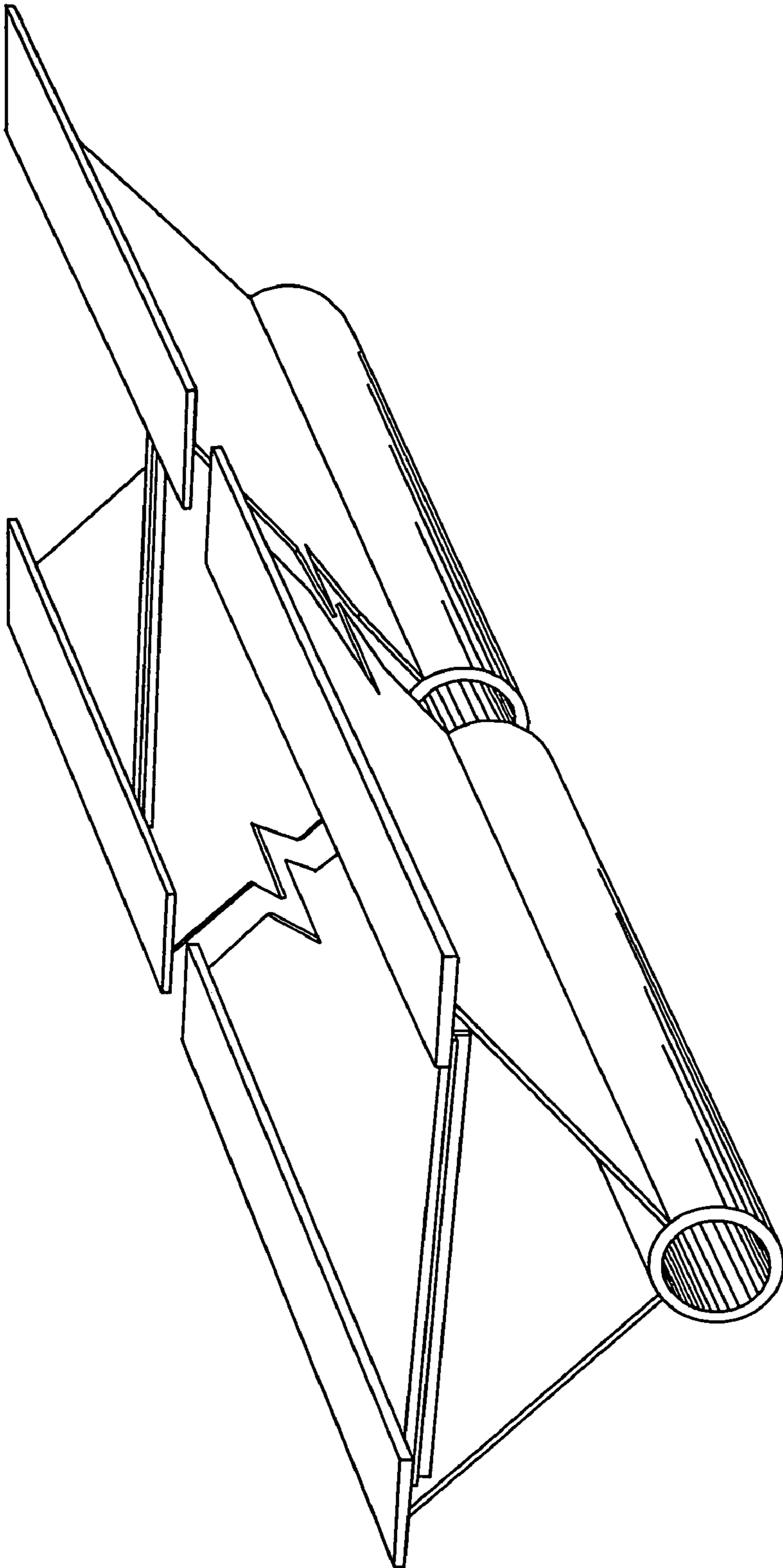


FIG. 3

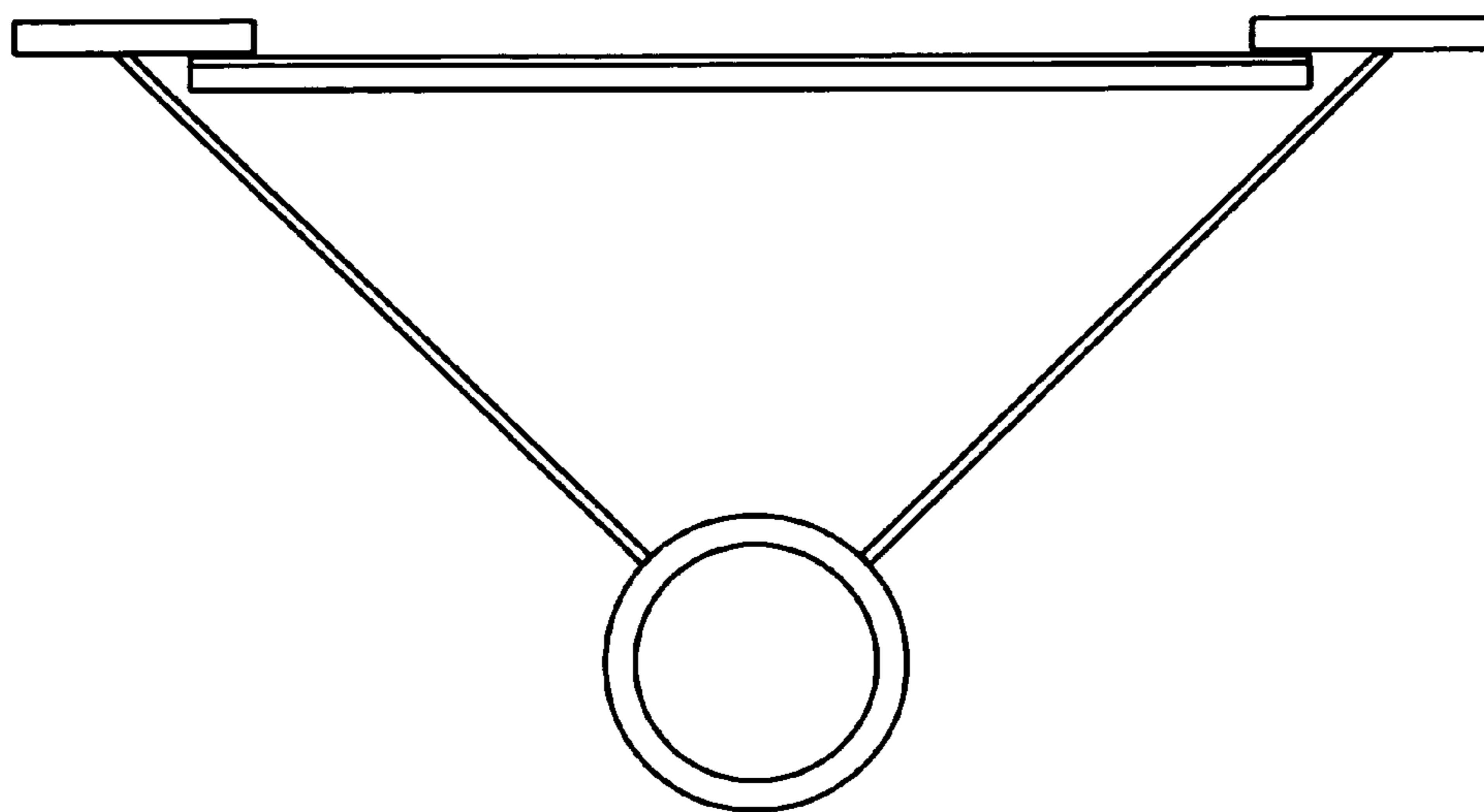


FIG. 4