



US00D573724S

(12) **United States Design Patent**
Reed

(10) **Patent No.:** **US D573,724 S**
(45) **Date of Patent:** **** Jul. 22, 2008**

(54) **WOOD FENCE PANEL**

(76) **Inventor:** **Joe N. Reed**, P.O. Box 68261, Jackson, MS (US) 39286

(**) **Term:** **14 Years**

(21) **Appl. No.:** **29/287,009**

(22) **Filed:** **Jun. 18, 2007**

(51) **LOC (8) Cl.** **25-01**

(52) **U.S. Cl.** **D25/121; D25/38**

(58) **Field of Classification Search** D25/121, D25/38; 256/24, 19, 73
See application file for complete search history.

(56) **References Cited**

U.S. PATENT DOCUMENTS

2,918,261	A	12/1959	Bergeron	
D202,335	S	* 9/1965	Blum D25/121
4,136,856	A	* 1/1979	Murdock 256/24
5,215,290	A	* 6/1993	Khalessi 256/19
6,345,809	B1	* 2/2002	Bebendorf 256/24
D455,844	S	* 4/2002	Dyck D25/121

* cited by examiner

Primary Examiner—Doris Clark
(74) *Attorney, Agent, or Firm*—Richard C. Litman

(57) **CLAIM**

The ornamental design for a wood fence panel, as shown and described.

DESCRIPTION

FIG. 1 is a perspective view of a wood fence panel showing my new design;

FIG. 2 is a front elevational view thereof;

FIG. 3 is a rear elevational view thereof;

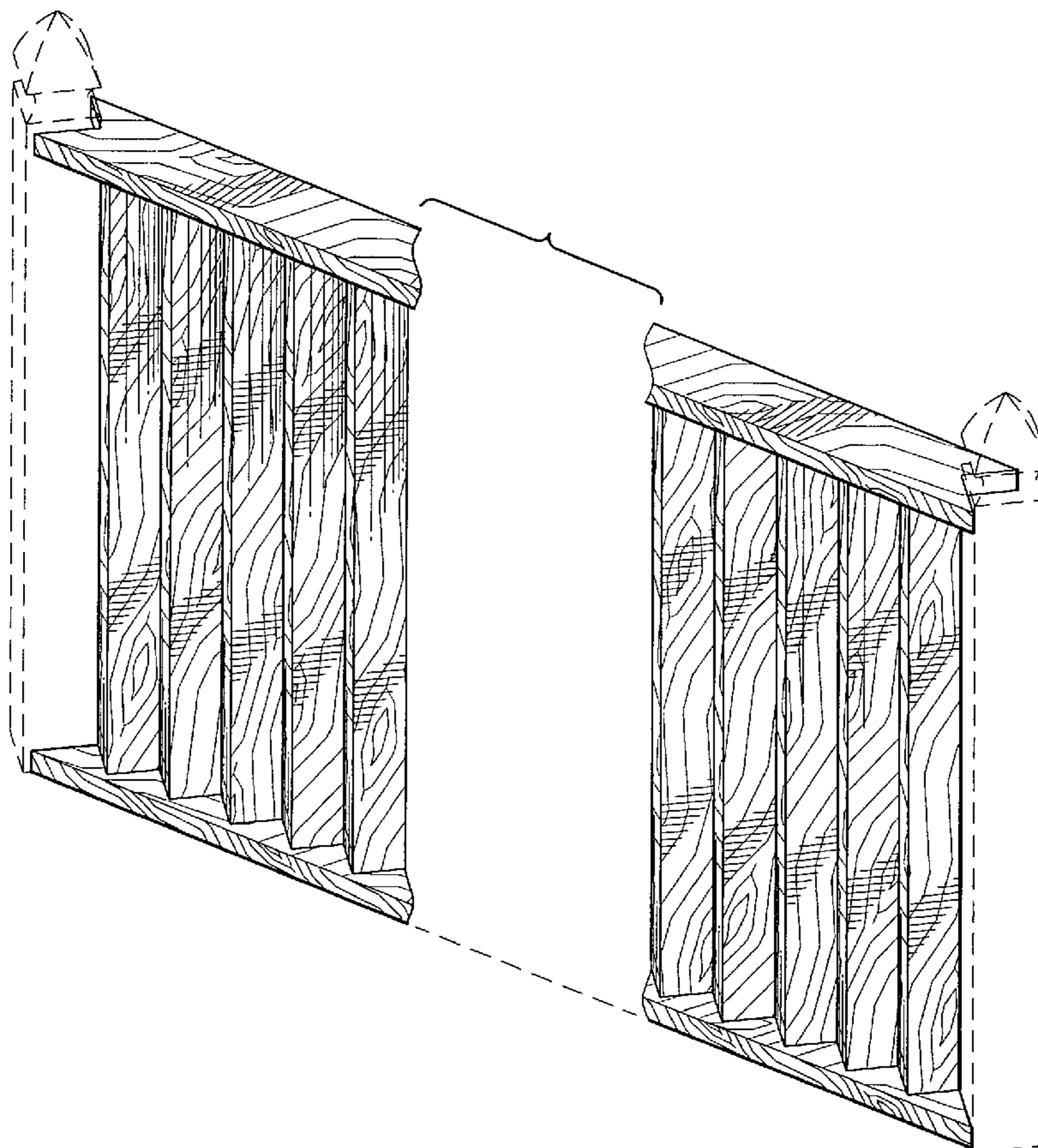
FIG. 4 is a right side elevational view with the left side being a mirror image thereof;

FIG. 5 is a top view thereof; and,

FIG. 6 is a bottom view thereof.

The broken line showing of the post in FIGS. 1–6 and the rear support in FIG. 3 is for illustrative purposes only and forms no part of the claimed design. The bracket and ghost line connection is intended to show indefinite length.

1 Claim, 4 Drawing Sheets



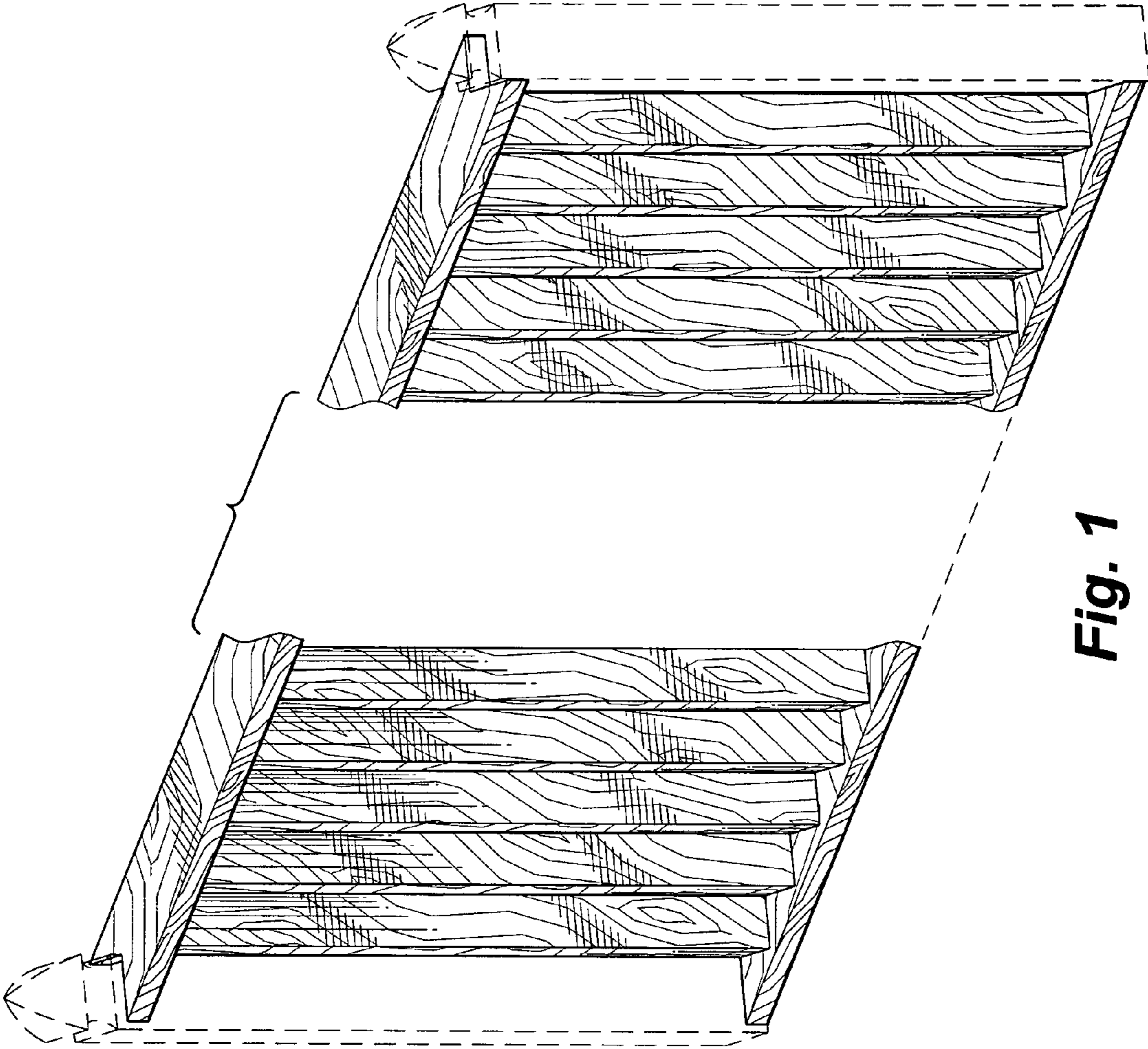


Fig. 1

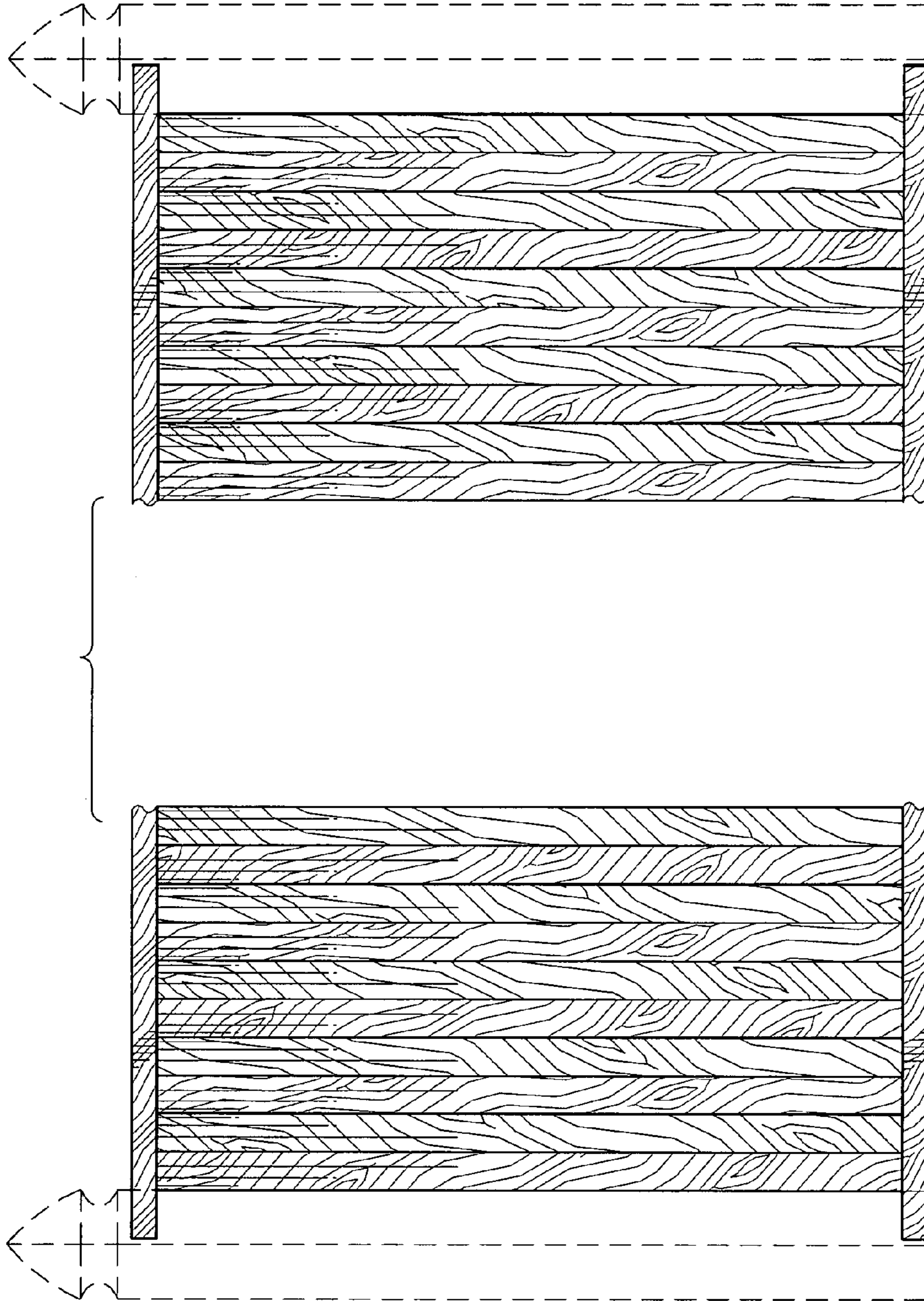


Fig. 2

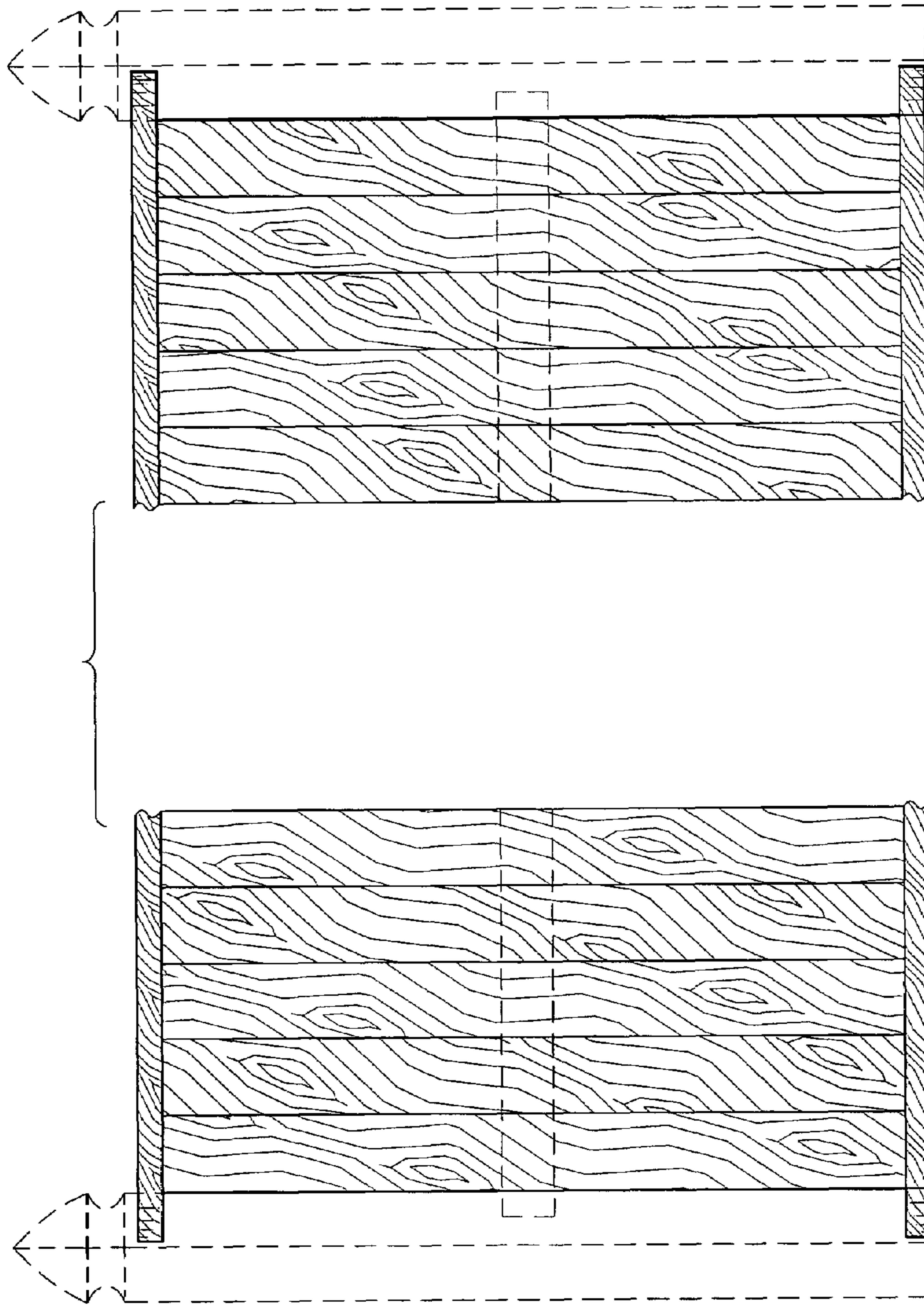


Fig. 3

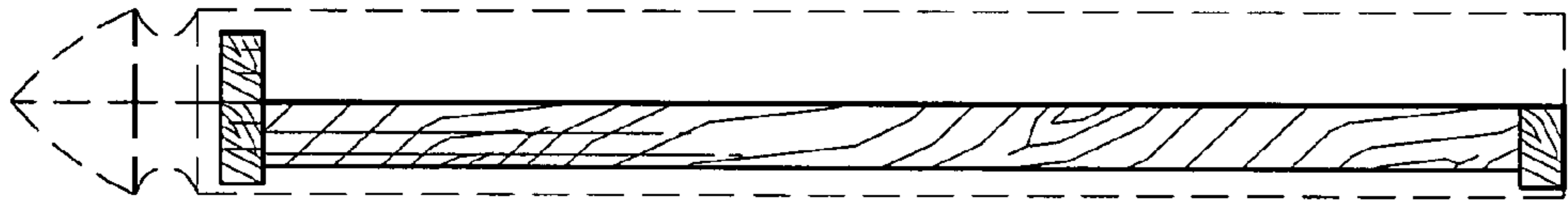


Fig. 4

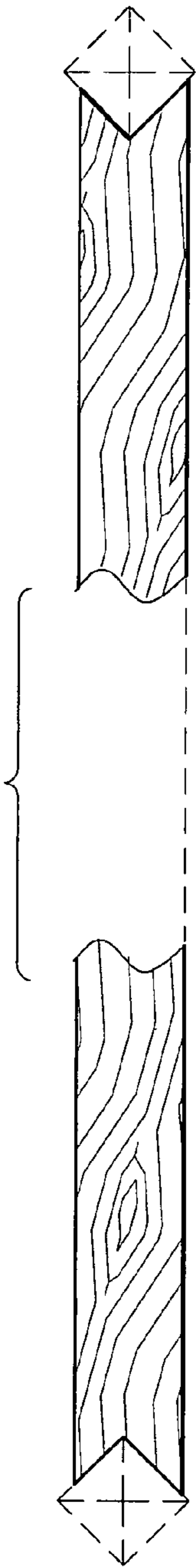


Fig. 5

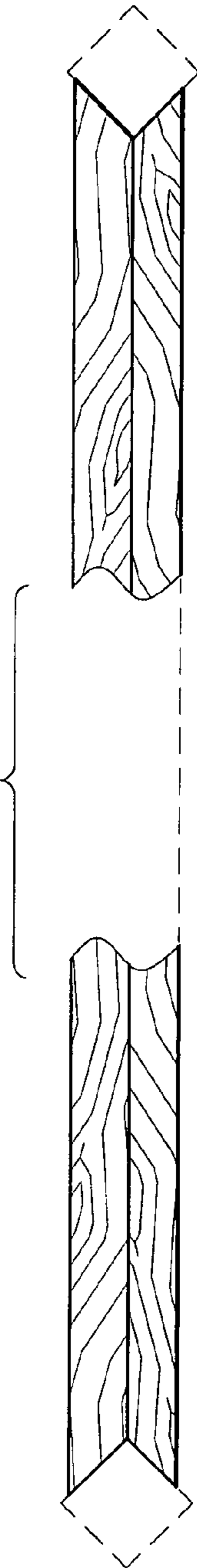


Fig. 6