



US00D573722S

(12) **United States Design Patent**
Lockwood

(10) **Patent No.:** **US D573,722 S**

(45) **Date of Patent:** **** Jul. 22, 2008**

(54) **PRECAST CONCRETE SUPPORT FOR A BRIDGE**

D405,541 S * 2/1999 Pekin D25/62
D406,364 S * 3/1999 Robert et al. D25/199
6,854,928 B2 2/2005 Lockwood

(75) Inventor: **William D. Lockwood**, Dayton, OH (US)

* cited by examiner

(73) Assignee: **Contech Bridge Solutions Inc.**, West Chester, OH (US)

Primary Examiner—Doris Clark

(74) *Attorney, Agent, or Firm*—Thomas Hine LLP

(**) Term: **14 Years**

(57) **CLAIM**

(21) Appl. No.: **29/285,322**

The ornamental design of a precast concrete support for a bridge, as shown and described.

(22) Filed: **Mar. 28, 2007**

DESCRIPTION

(51) **LOC (8) Cl.** **25-04**

FIG. 1 is a perspective view of a precast concrete support for a bridge showing my new design;

(52) **U.S. Cl.** **D25/62**

FIG. 2 is a top view thereof;

(58) **Field of Classification Search** D25/62,

FIG. 3 is a rear view thereof;

D25/199; 14/13, 14, 7, 3; 404/229; 248/163.2,

FIG. 4 is a front view thereof;

248/431, 163.1, 20; 52/167.1, 167.4; 405/124

FIG. 5 is a side view thereof, the opposite side view being a mirror image; and,

See application file for complete search history.

FIG. 6 is a vertical section view thereof, taken on the line 6—6 of FIG. 3.

(56) **References Cited**

U.S. PATENT DOCUMENTS

4,993,872 A 2/1991 Lockwood
5,836,717 A * 11/1998 Bernini 405/125

1 Claim, 2 Drawing Sheets

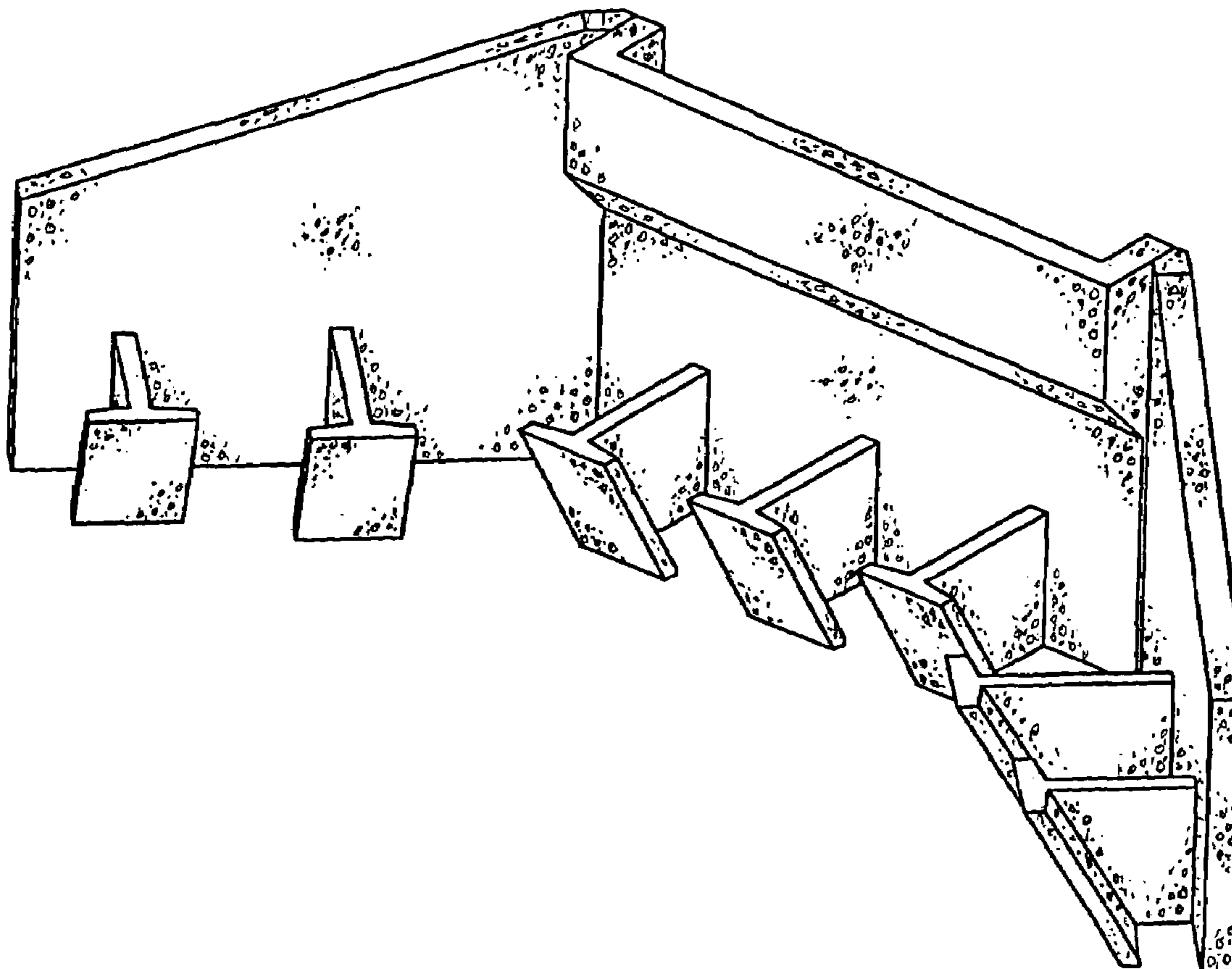


FIG-1

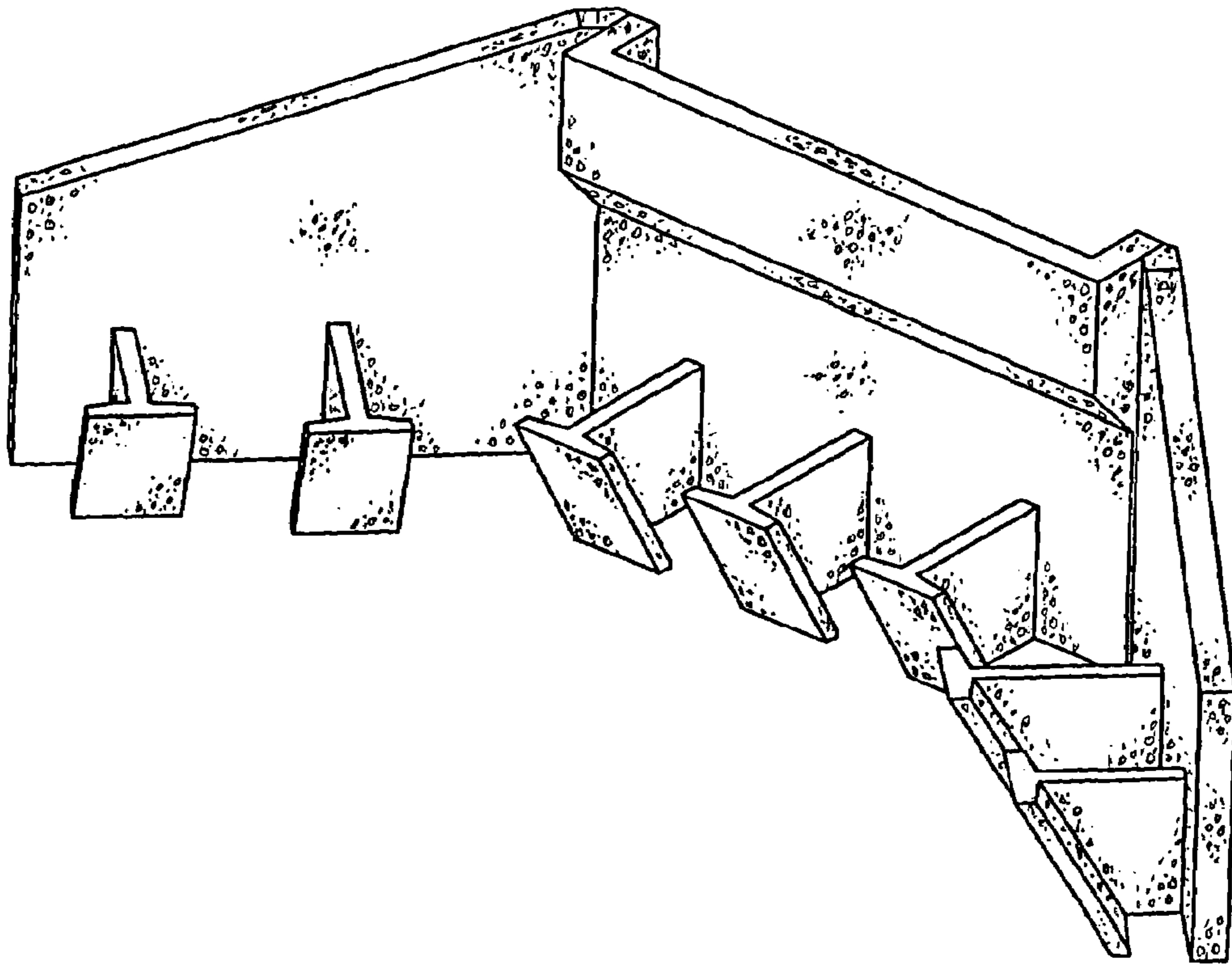


FIG-2

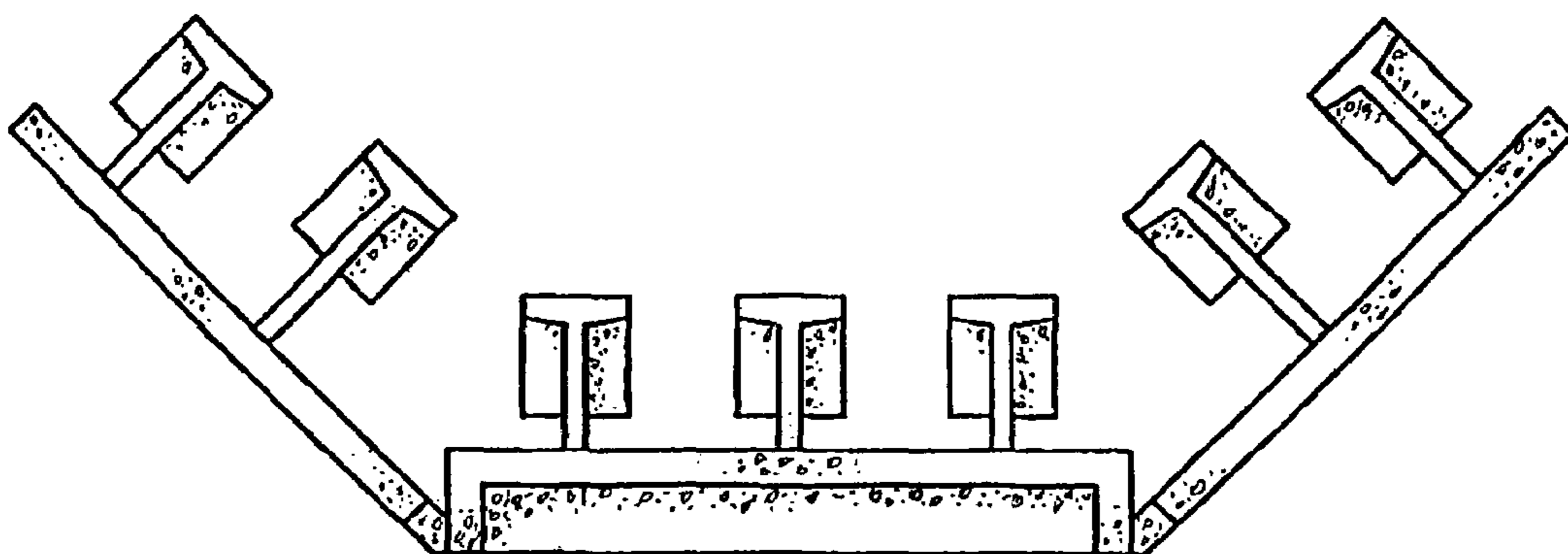


FIG-3

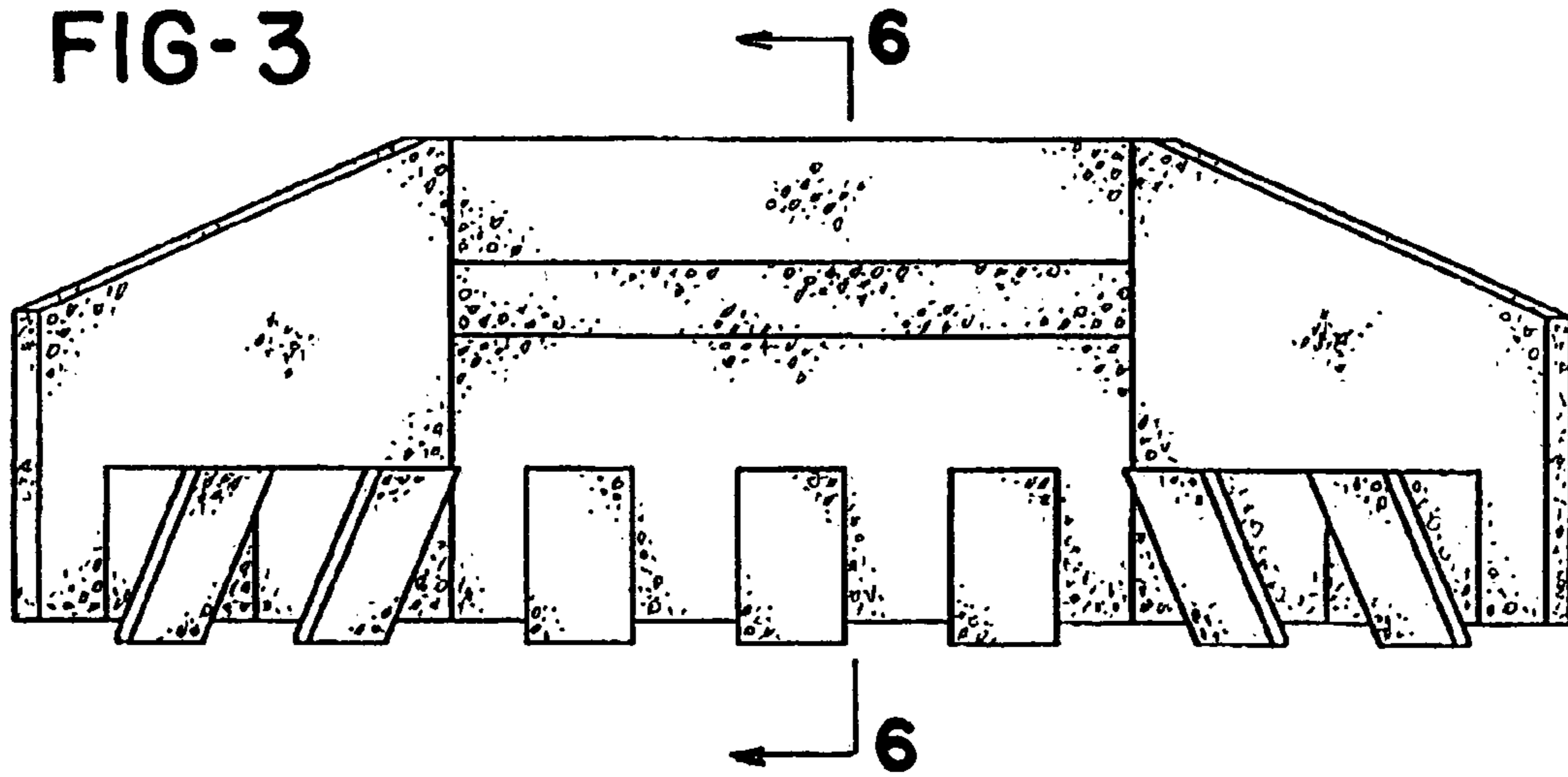


FIG-4

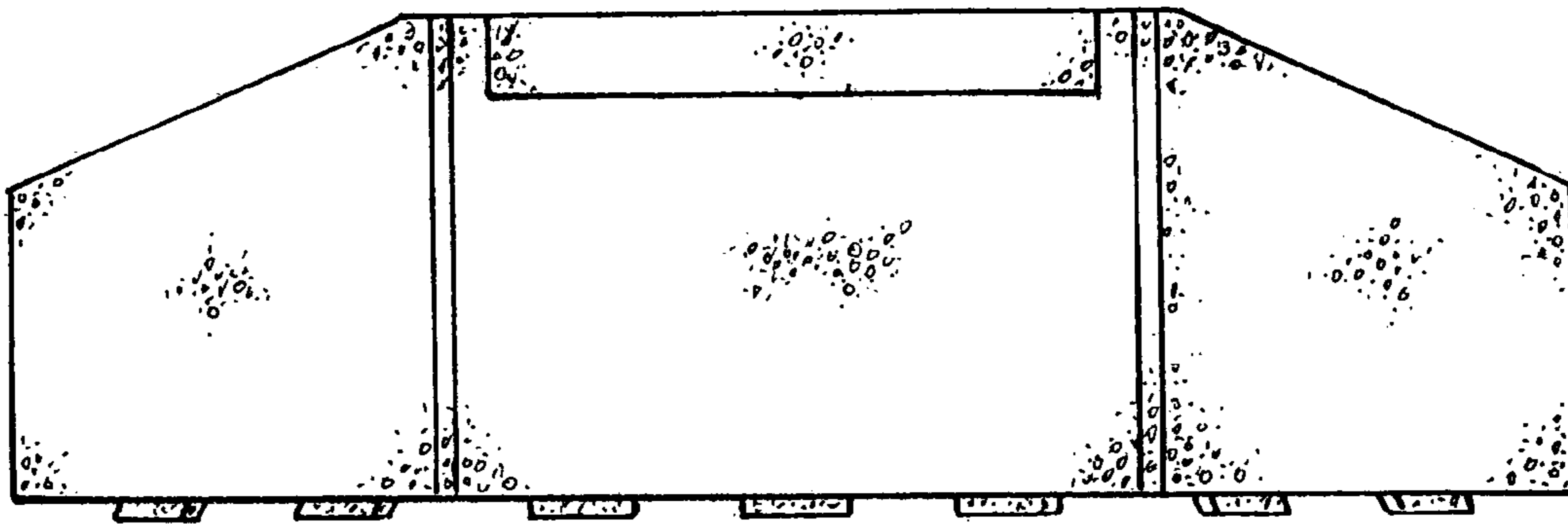


FIG-5

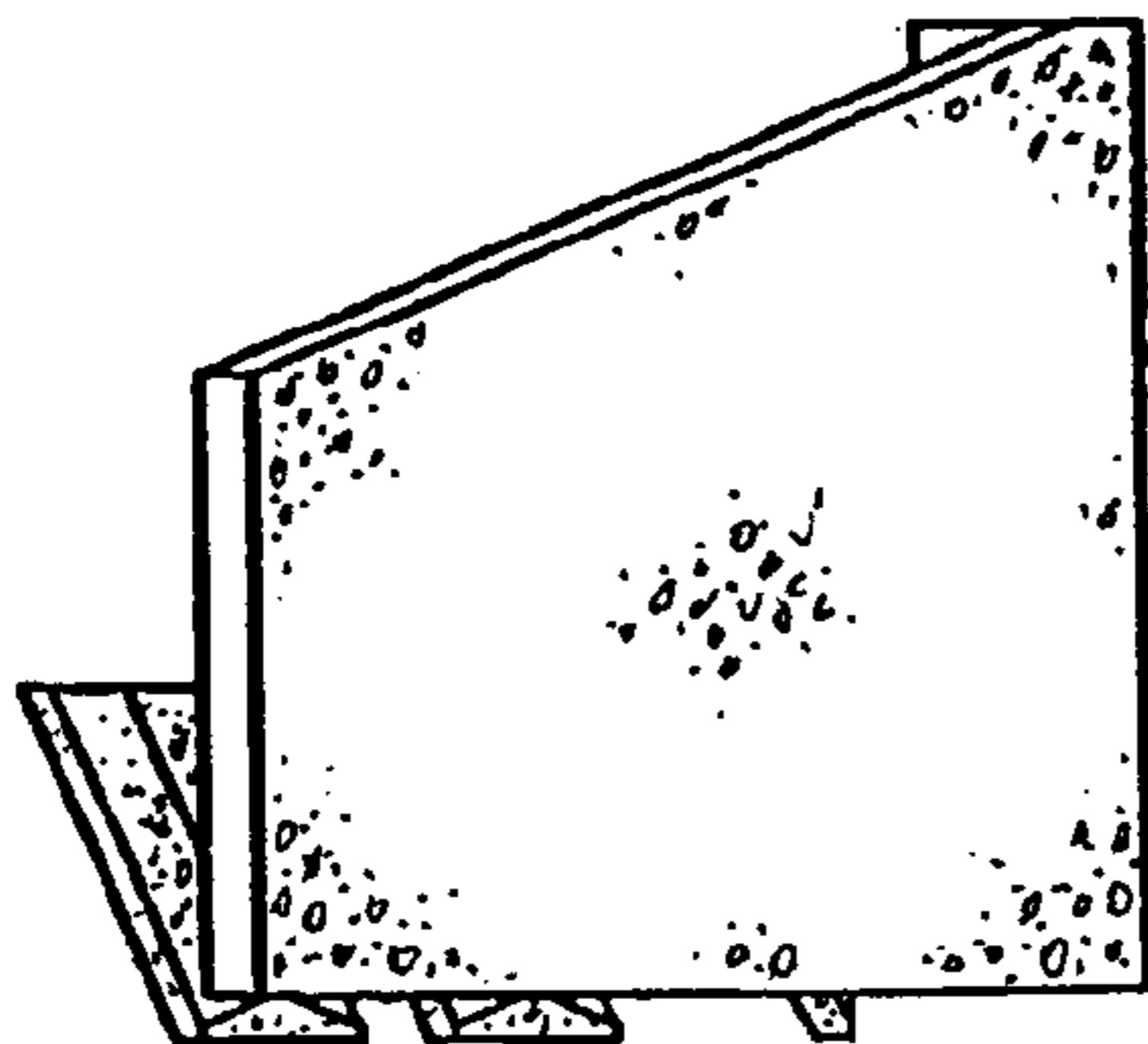


FIG-6

