



US00D573721S

(12) **United States Design Patent**  
**Owsley et al.**

(10) **Patent No.:** **US D573,721 S**  
(45) **Date of Patent:** **\*\* Jul. 22, 2008**

(54) **WAGON WHEEL PANEL**

(76) Inventors: **Rick Owsley**, 629 Dolson La., Eagle, ID (US) 83616; **Teri Owsley**, 629 Dolson La., Eagle, ID (US) 83616

(\*\*) Term: **14 Years**

(21) Appl. No.: **29/285,353**

(22) Filed: **Mar. 27, 2007**

(51) **LOC (8) Cl.** ..... **25-02**

(52) **U.S. Cl.** ..... **D25/40**

(58) **Field of Classification Search** ..... D25/38,  
D25/42, 39, 40; 256/65.16, 19, 21, 22, 24,  
256/25, 73, 1, 59, 67, 65.02, 65.11, 65.15;  
52/720.2

See application file for complete search history.

(56) **References Cited**

**U.S. PATENT DOCUMENTS**

7,774 A	11/1850	Krauser et al.	256/21
8,149 A	6/1851	Crowell	256/21
187,693 A	2/1877	Wood	280/63
292,896 A	2/1884	Coleman	280/66
513,137 A	1/1894	Phelps	256/21
1,110,681 A	9/1914	Gerstenslager	280/70
D195,033 S	4/1963	Pierce	D25/38
D195,130 S	4/1963	Hampton	D25/40
4,143,857 A	3/1979	Weiner	256/11
5,174,594 A	12/1992	Marshall et al.	280/63
D387,178 S	12/1997	Rau	D25/42
D425,206 S	5/2000	Dashevsky	D25/39
6,254,064 B1 *	7/2001	Gibbs	256/22
D449,383 S	10/2001	Erwin	D25/38
6,478,370 B1	11/2002	Reynolds	297/181
7,090,201 B2	8/2006	Brucker	256/24
2002/0070377 A1	6/2002	Erwin	256/1
2004/0020090 A1	2/2004	Lueddecke	40/610

**OTHER PUBLICATIONS**

<http://www.jakesctp.com/WOODEN%20WAGON%20WHEELS.htm> (Aug. 22, 2005).

<http://www.rptrading.biz/SteelWagonWheels.html> (Aug. 22, 2005).

<http://www.hansenwheel.com/Wagon%20Wheels.htm> (Jun. 6, 2005).

(Continued)

*Primary Examiner*—Doris Clark

(74) *Attorney, Agent, or Firm*—Pedersen & Co., PLLC; Ken J. Pedersen; Barbara S. Pedersen

(57) **CLAIM**

The ornamental design for a wagon wheel panel, as shown and described.

**DESCRIPTION**

FIG. 1 is a front perspective view of one embodiment of the invented design for a wagon wheel panel.

FIG. 2 is a front view of the embodiment shown in FIG. 1.

FIG. 3 is a rear view of the embodiment shown in FIGS. 1 and 2.

FIG. 4 is a top view of the embodiment shown in FIGS. 1–3.

FIG. 5 is a left end view of the embodiment shown in FIGS. 1–4.

FIG. 6 is a right end view of the embodiment shown in FIGS. 1–5.

FIG. 7 is a bottom view of the embodiment shown in FIGS. 1–6.

FIG. 8 is a front perspective view of an alternative version of the invented design for a wagon wheel panel.

FIG. 9 is a front view of the embodiment shown in FIG. 8.

FIG. 10 is a rear view of the embodiment shown in FIGS. 8 and 9.

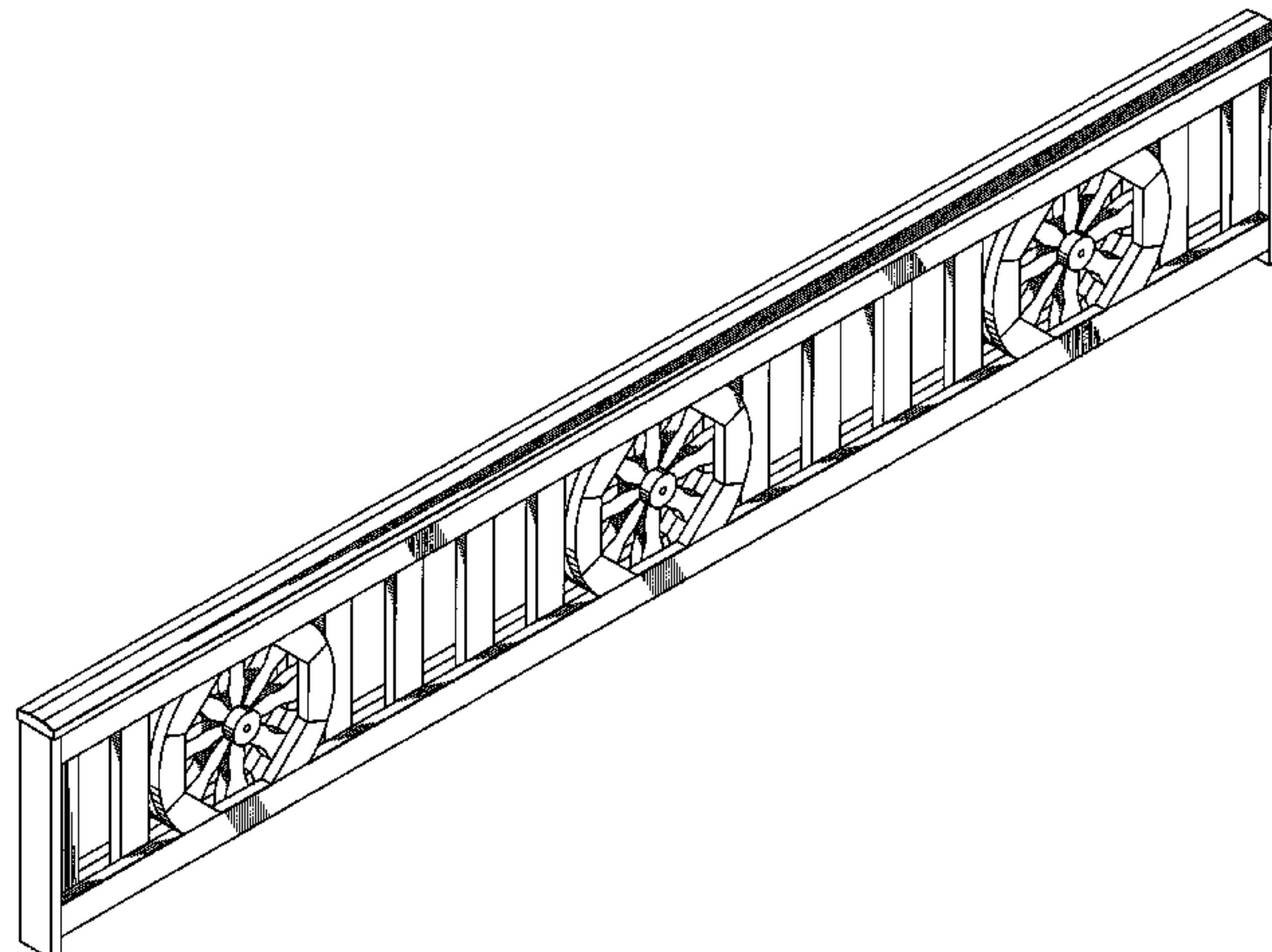
FIG. 11 is a top view of the embodiment shown in FIGS. 8–10.

FIG. 12 is a left end view of the embodiment shown in FIGS. 8–11.

FIG. 13 is a right end view of the embodiment shown in FIGS. 8–12; and,

FIG. 14 is a bottom view of the embodiment shown in FIGS. 8–13.

**1 Claim, 4 Drawing Sheets**



OTHER PUBLICATIONS

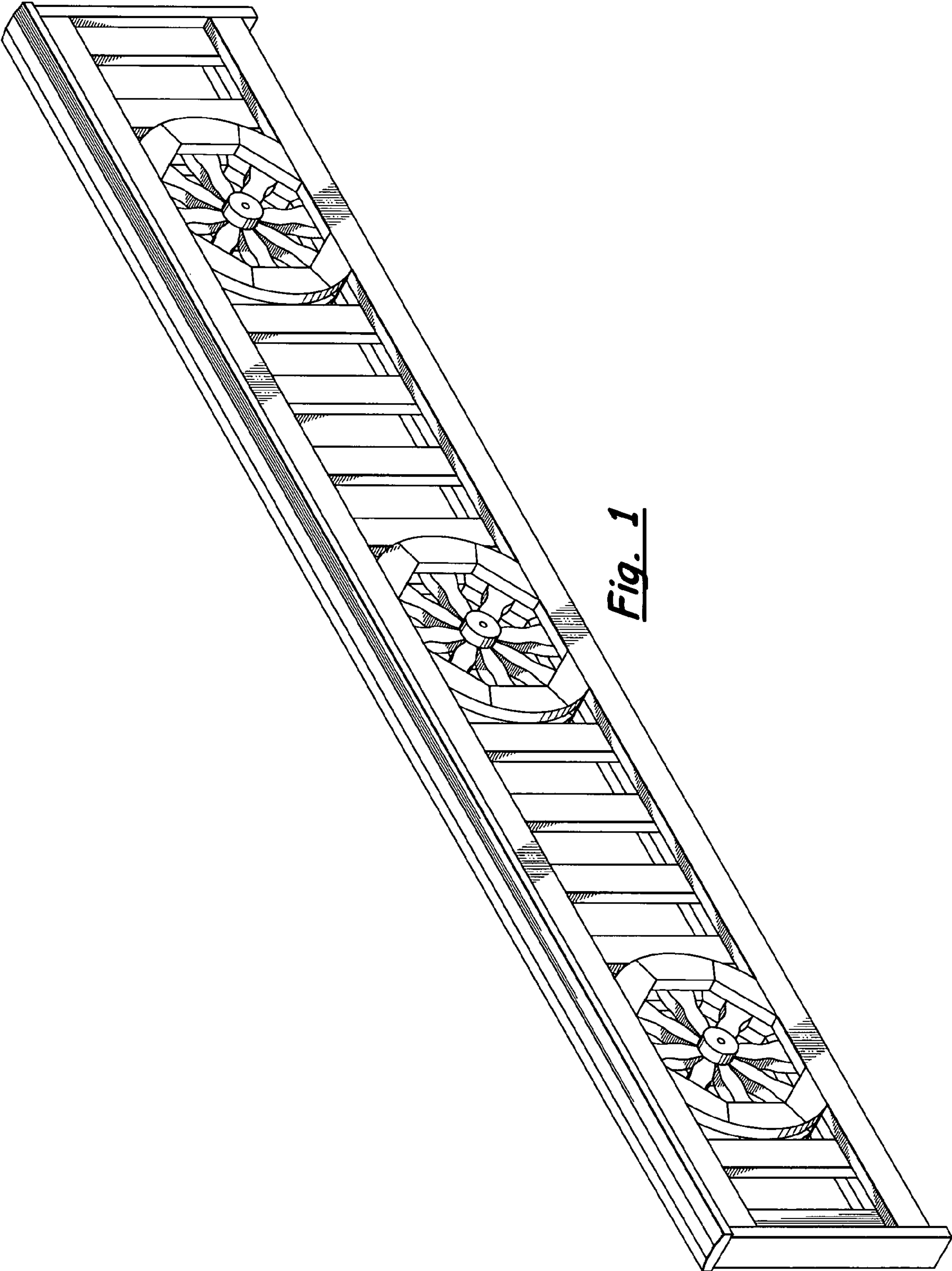
<http://www.windyhillwoods.com/wooden-wagon-wheels.htm> (Jun. 6, 2005).

<http://www.firstshotphoto.com/wheelwri.htm> (Jun. 6, 2005).

<http://www.customwagons.com/wagonwheels1.htm> (Jun. 6, 2005).

<http://www.cowboyindian.com/wagonwheel.htm> (Jun. 6, 2005).

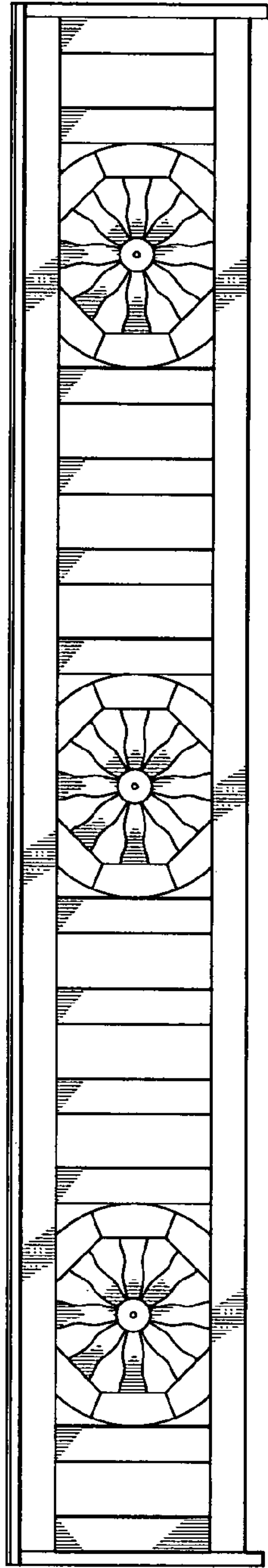
\* cited by examiner



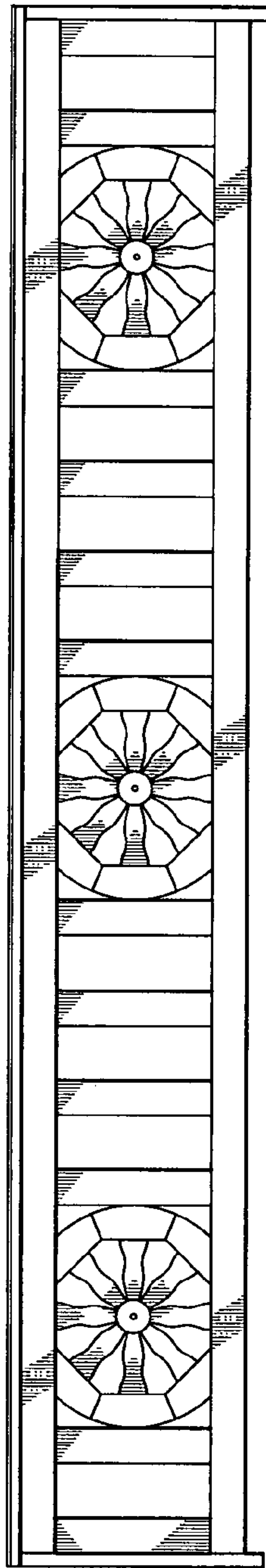
*Fig. 1*



*Fig. 4*



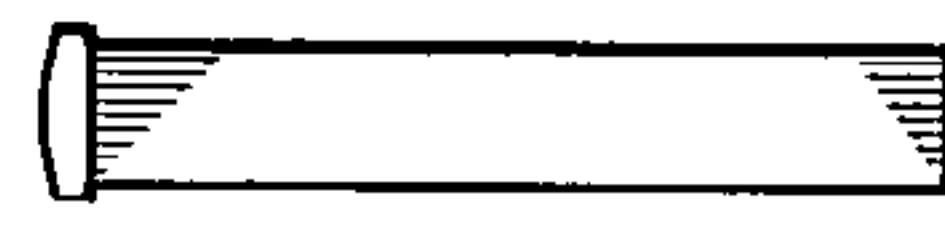
*Fig. 2*



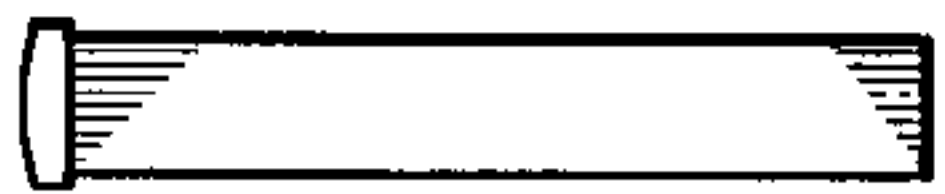
*Fig. 3*



*Fig. 7*

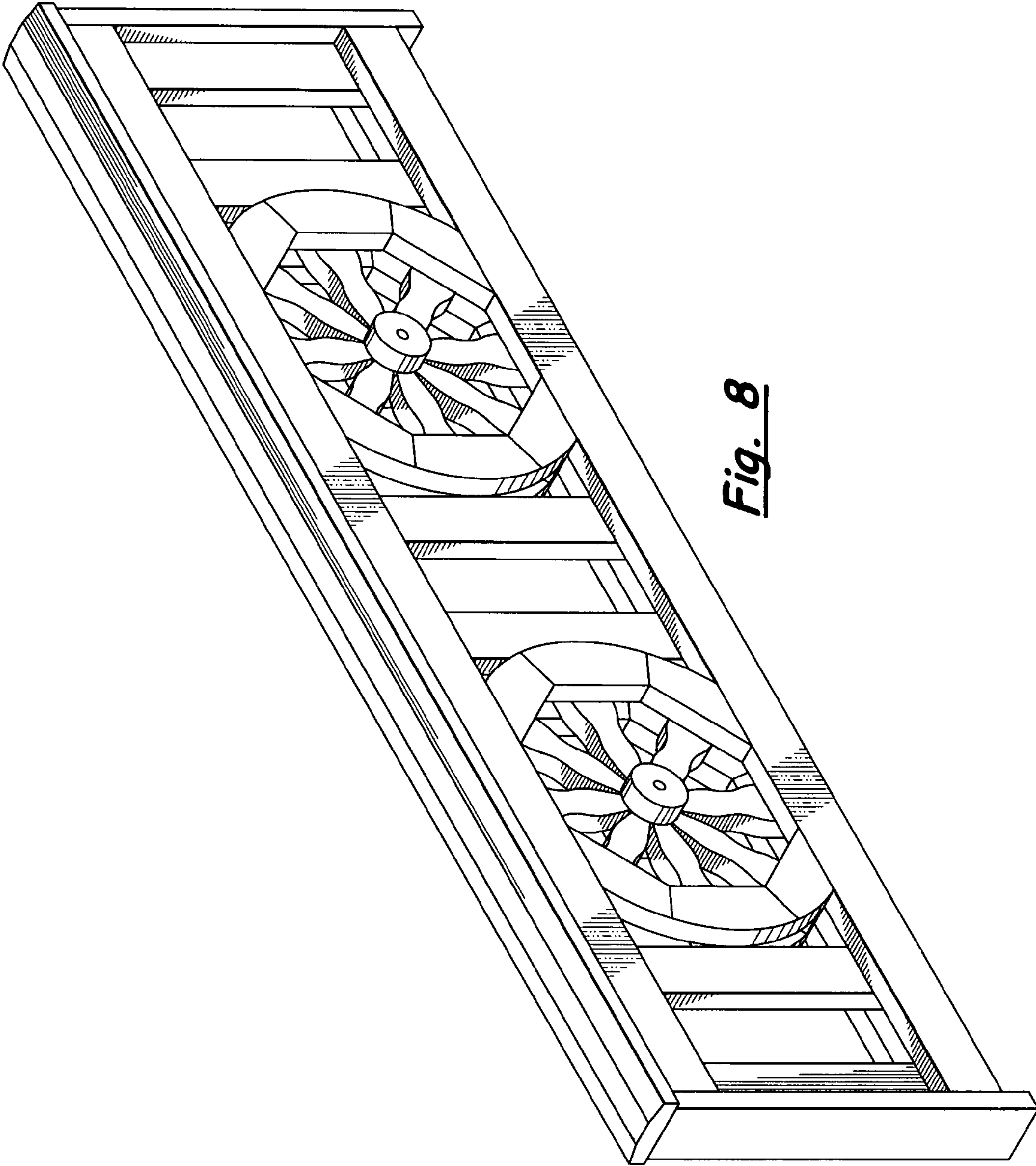


*Fig. 6*



*Fig. 5*





*Fig. 8*

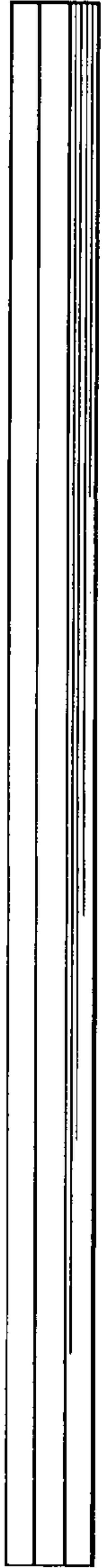


Fig. 11

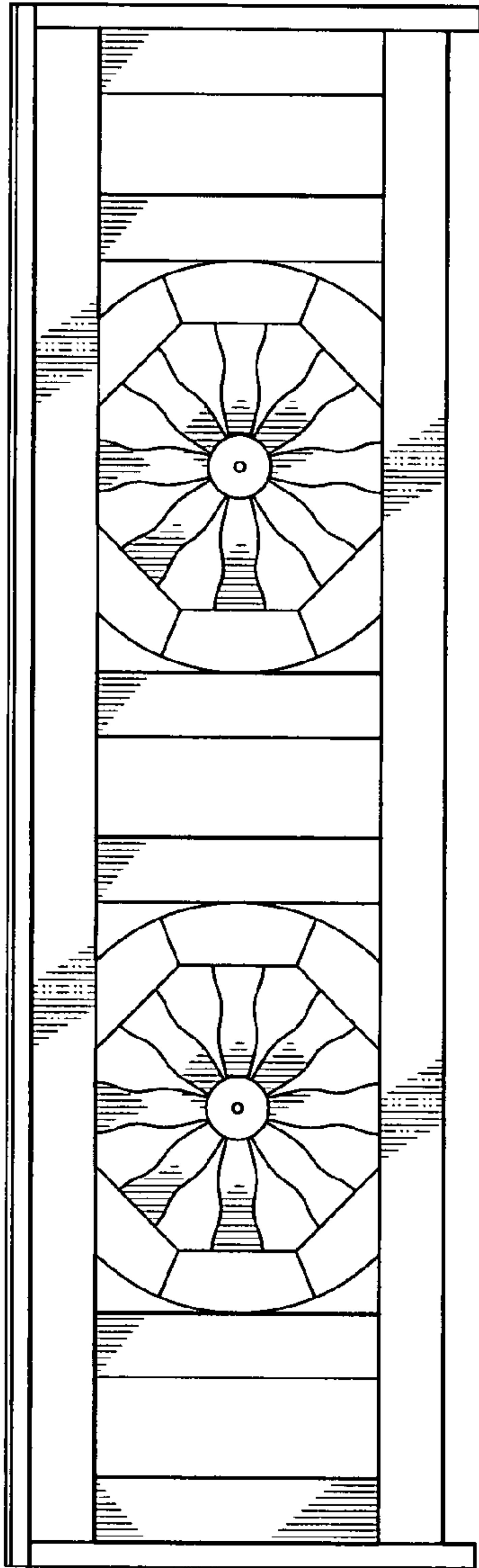


Fig. 9

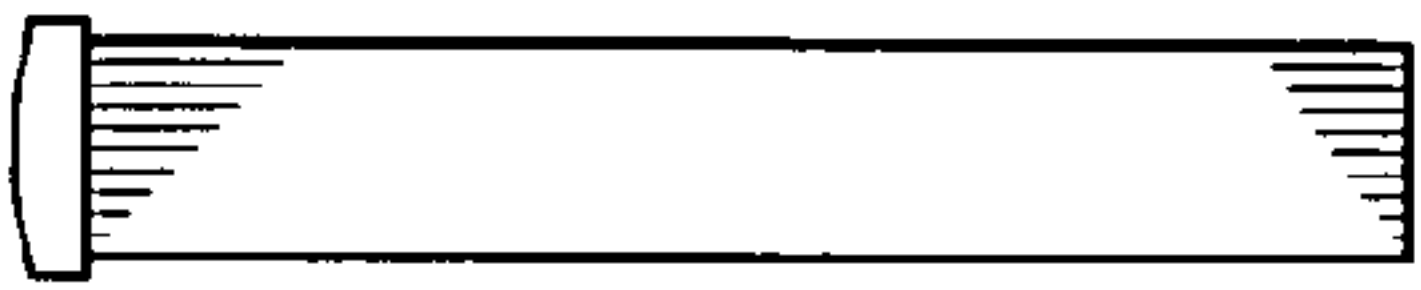


Fig. 12

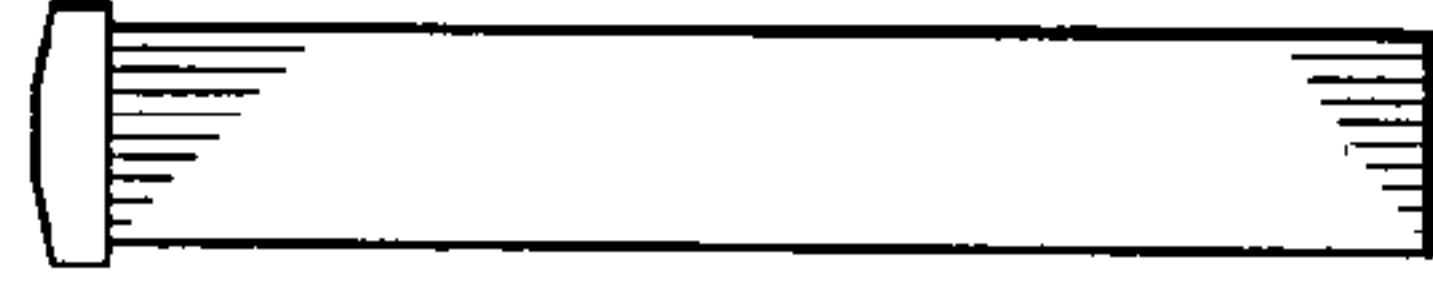


Fig. 13

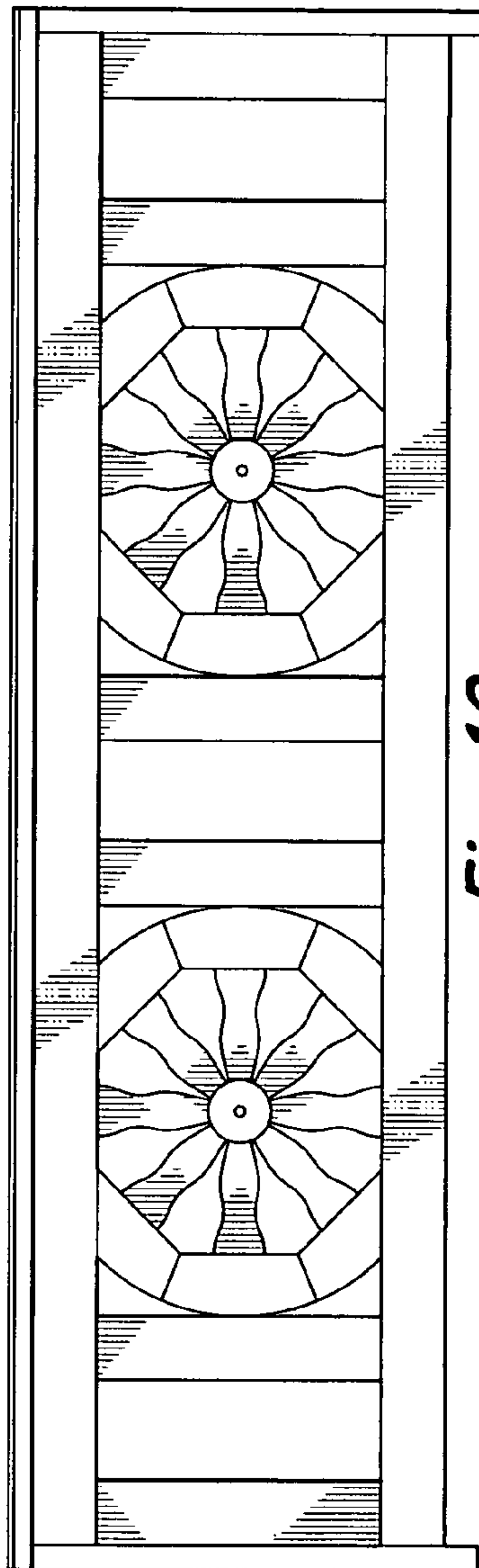


Fig. 10

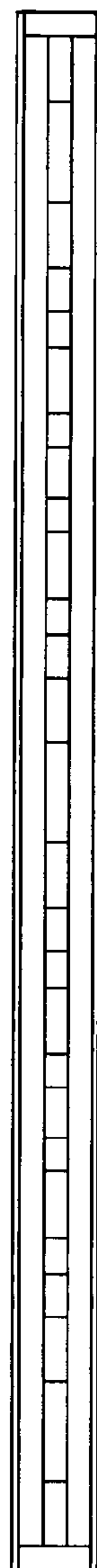


Fig. 14