

US00D573718S

(12) **United States Design Patent**  
**Sullivan**

(10) **Patent No.:** **US D573,718 S**  
(45) **Date of Patent:** **\*\* Jul. 22, 2008**

- (54) **FIBERGLASS SWIMMING POOL**
- (75) Inventor: **Todd Sullivan**, Eloy, AZ (US)
- (73) Assignee: **San Juan Patents, Inc.**, Lakeland, FL (US)
- (\*\*) Term: **14 Years**
- (21) Appl. No.: **29/288,559**
- (22) Filed: **Jun. 15, 2007**
- (51) **LOC (8) Cl.** ..... **25-03**
- (52) **U.S. Cl.** ..... **D25/2**
- (58) **Field of Classification Search** ..... D25/2, D25/8; 4/488, 506; D24/204  
See application file for complete search history.

D446,313 S	8/2001	Sullivan	
D460,194 S	7/2002	Sullivan	
D460,195 S	7/2002	Sullivan	
D471,282 S	3/2003	Sullivan	
D471,283 S	3/2003	Sullivan	
D509,593 S	9/2005	Sullivan	
D509,902 S	9/2005	Sullivan	
D509,903 S	9/2005	Sullivan	
D510,630 S	10/2005	Sullivan	
D514,228 S	1/2006	Sullivan	
D514,229 S	1/2006	Sullivan	
D514,708 S	2/2006	Sullivan	
D529,181 S *	9/2006	Loyd	..... D24/204
D546,474 S	7/2007	Sullivan	

(56) **References Cited**

**U.S. PATENT DOCUMENTS**

D179,930 S	3/1957	Culver	
3,428,969 A	2/1969	Diamond et al.	
3,511,002 A	5/1970	Fox	
3,530,512 A	9/1970	McBride	
D228,891 S *	10/1973	Figuerona	..... D25/2
D251,201 S	2/1979	Mathis	
D266,946 S *	11/1982	Topete	..... D24/204
D275,608 S	9/1984	Sullivan	
D275,609 S	9/1984	Monten	
D277,135 S	1/1985	Sullivan	
D278,932 S	5/1985	Sullivan	
D278,933 S	5/1985	Sullivan	
4,566,141 A	1/1986	Mahoney	
D285,350 S	8/1986	Sullivan	
D347,697 S	6/1994	Weir	
D408,547 S	4/1999	Sullivan	
D408,548 S	4/1999	Sullivan	
D408,549 S	4/1999	Sullivan	
D408,550 S	4/1999	Sullivan	
D408,551 S	4/1999	Sullivan	
D408,927 S	4/1999	Sullivan	
D408,928 S	4/1999	Sullivan	
D417,286 S	11/1999	Sullivan	
D430,305 S	8/2000	Sullivan	

**OTHER PUBLICATIONS**

<http://www.sanjuanpools.com/pools/726web.jpg> Mar. 18, 2008.\*  
Oasis: The Magazine of San Juan Pools, published by San Juan Products, 2002.

\* cited by examiner

*Primary Examiner*—Louis S Zarfaz  
*Assistant Examiner*—Kathleen M Sims  
(74) *Attorney, Agent, or Firm*—Stetina Brunda Garred & Brucker

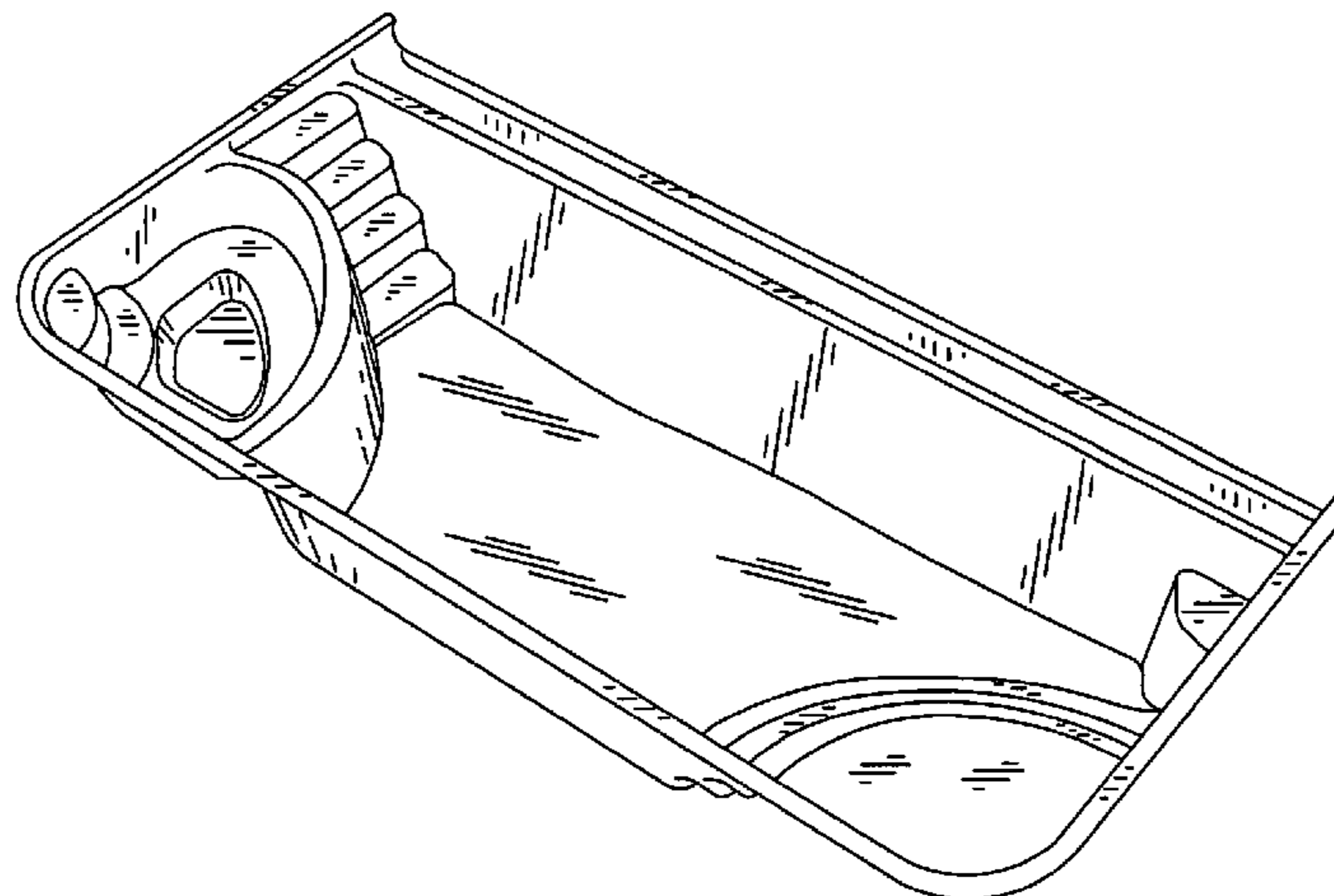
(57) **CLAIM**

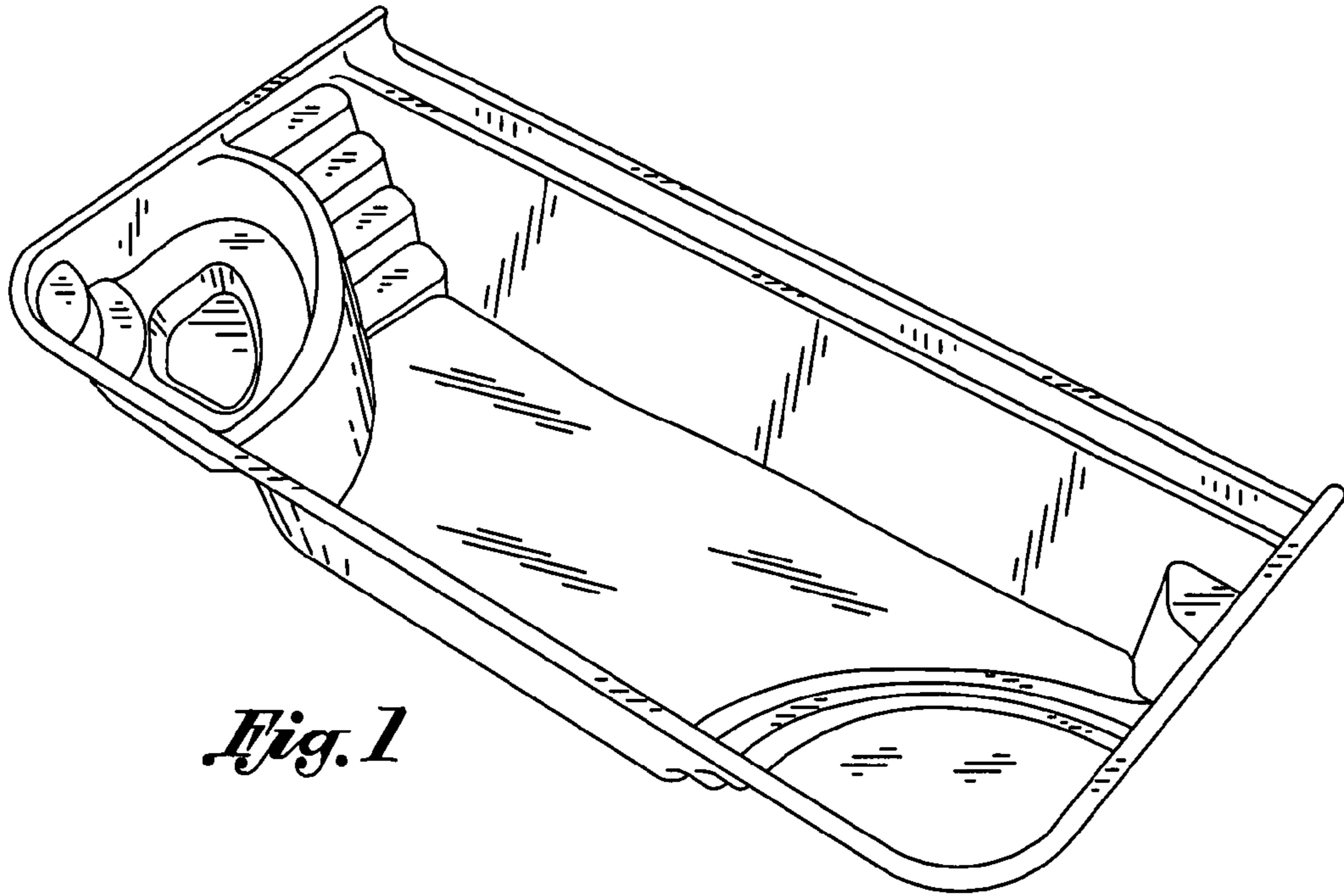
The ornamental design for a fiberglass swimming pool, as shown and described.

**DESCRIPTION**

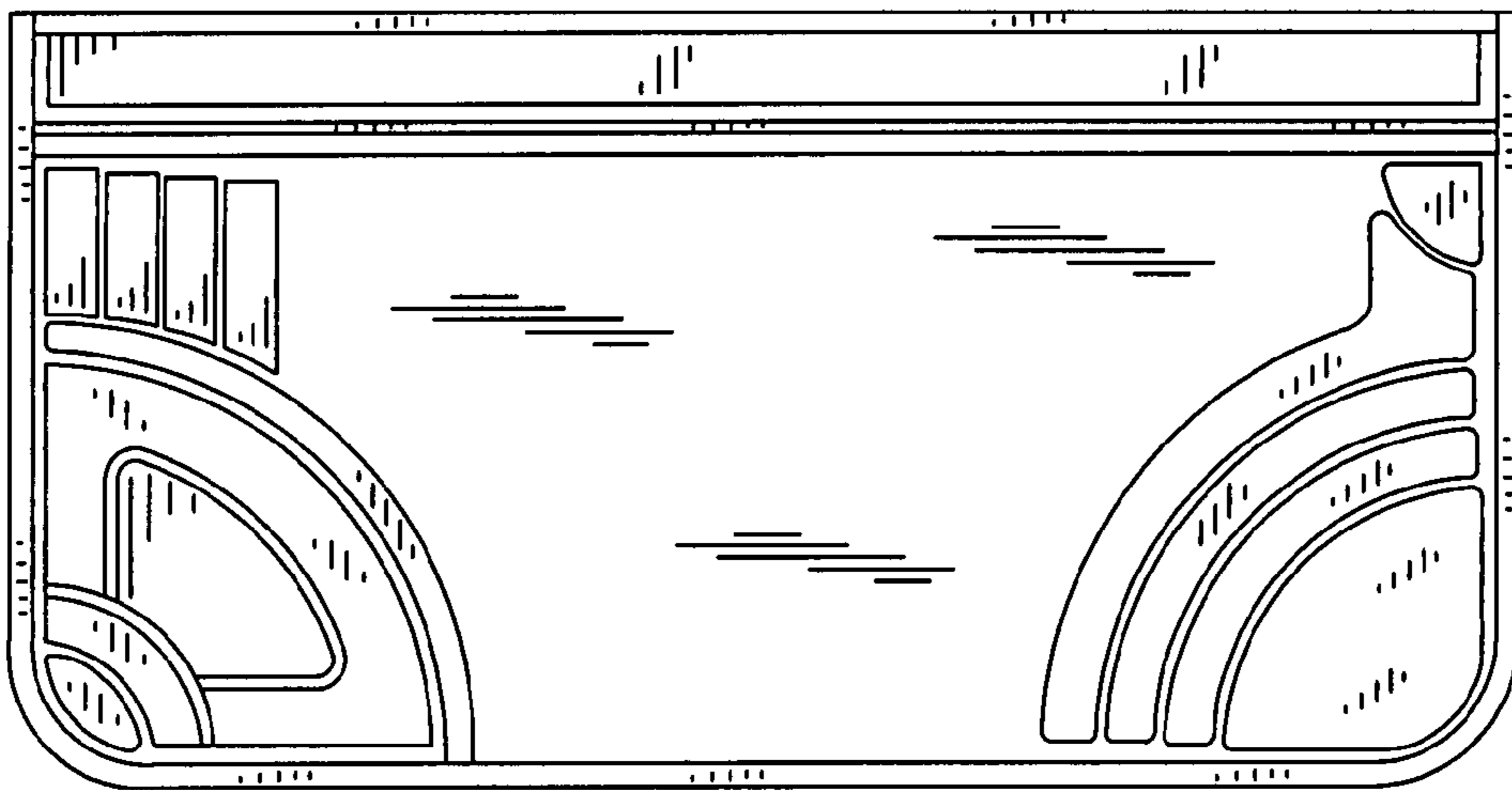
FIG. 1 is a front perspective view of a fiberglass swimming pool showing my new design;  
FIG. 2 is a top view thereof;  
FIG. 3 is a left side view thereof;  
FIG. 4 is a rear view thereof;  
FIG. 5 is a frontal view thereof;  
FIG. 6 is right side view thereof; and,  
FIG. 7 is a bottom view thereof.

**1 Claim, 2 Drawing Sheets**

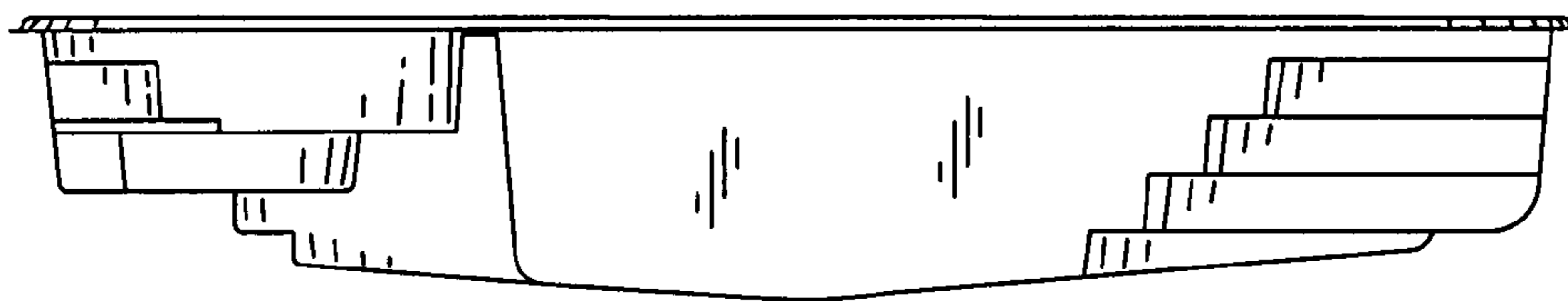




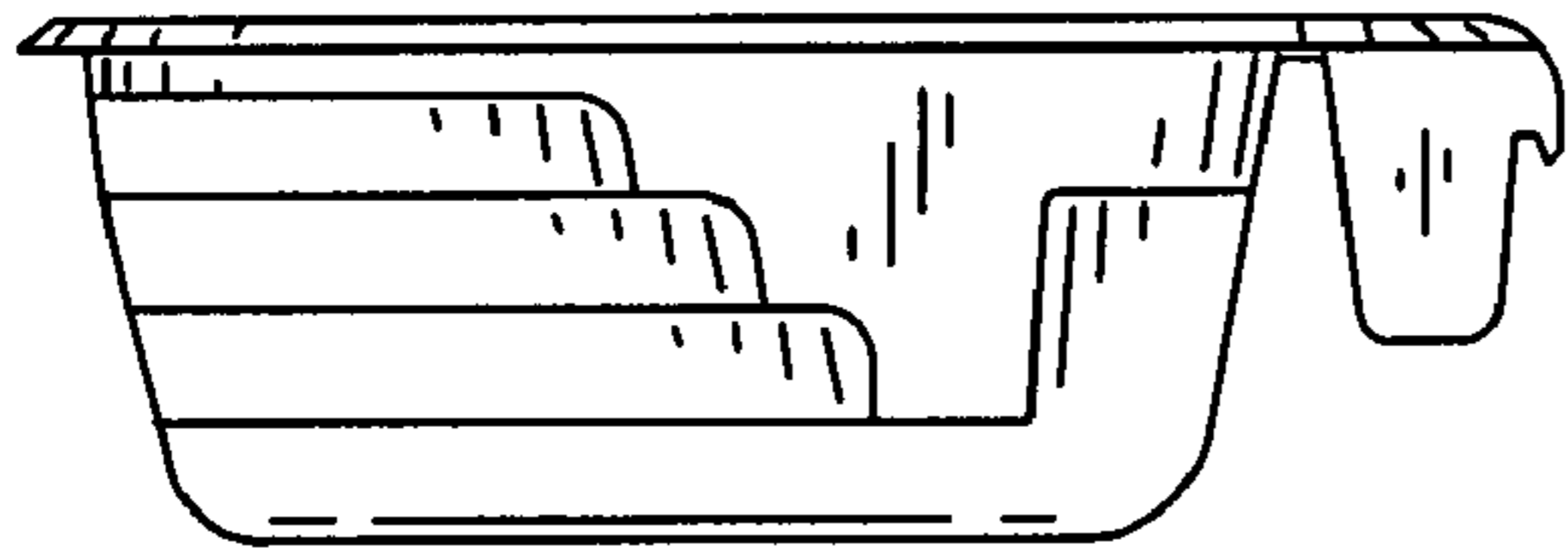
*Fig. 1*



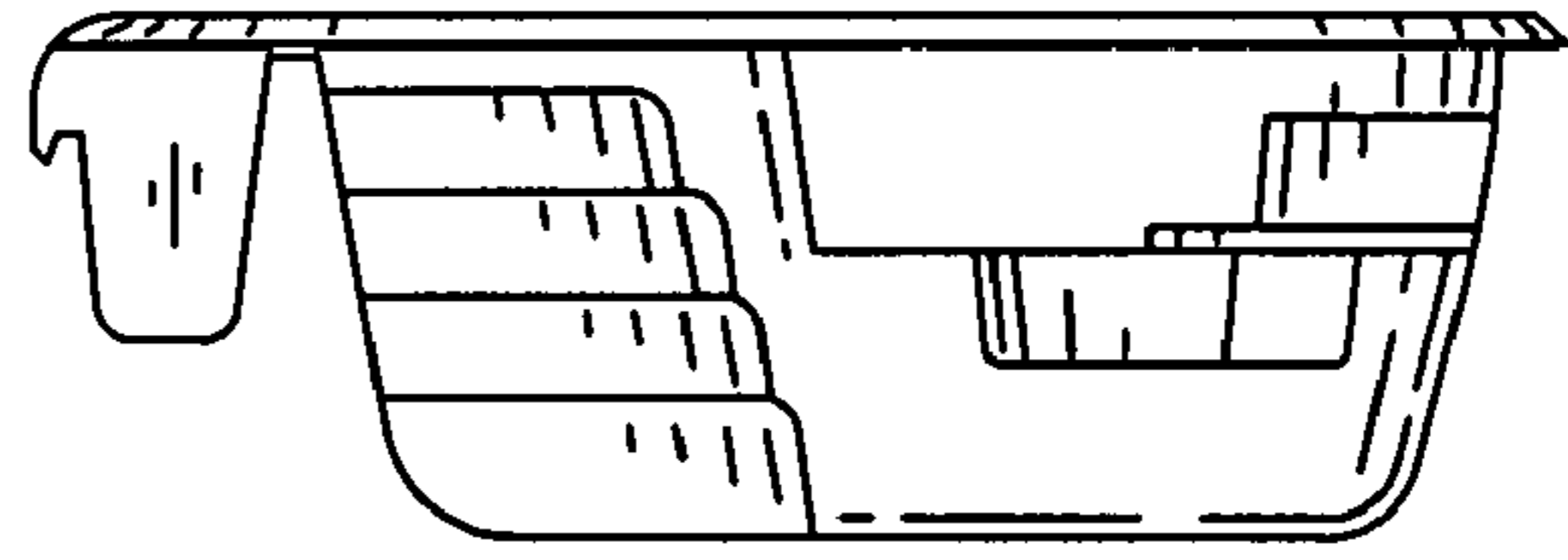
*Fig. 2*



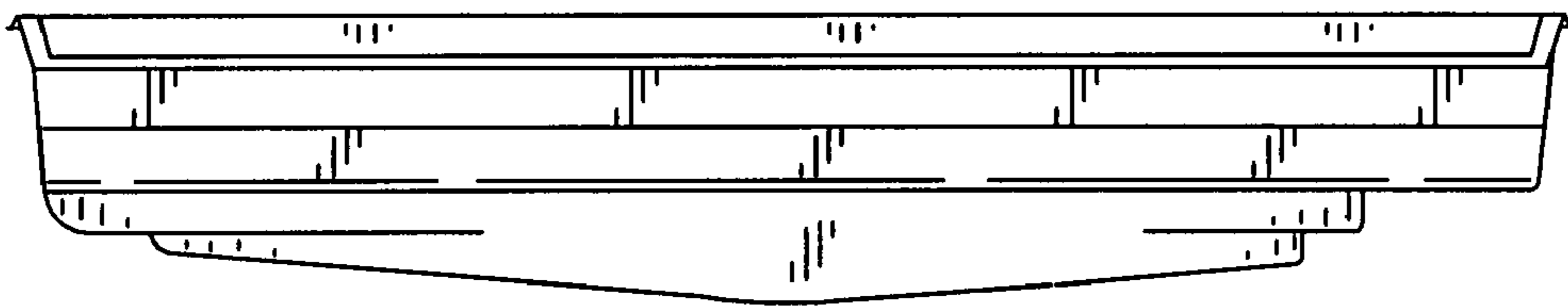
*Fig. 3*



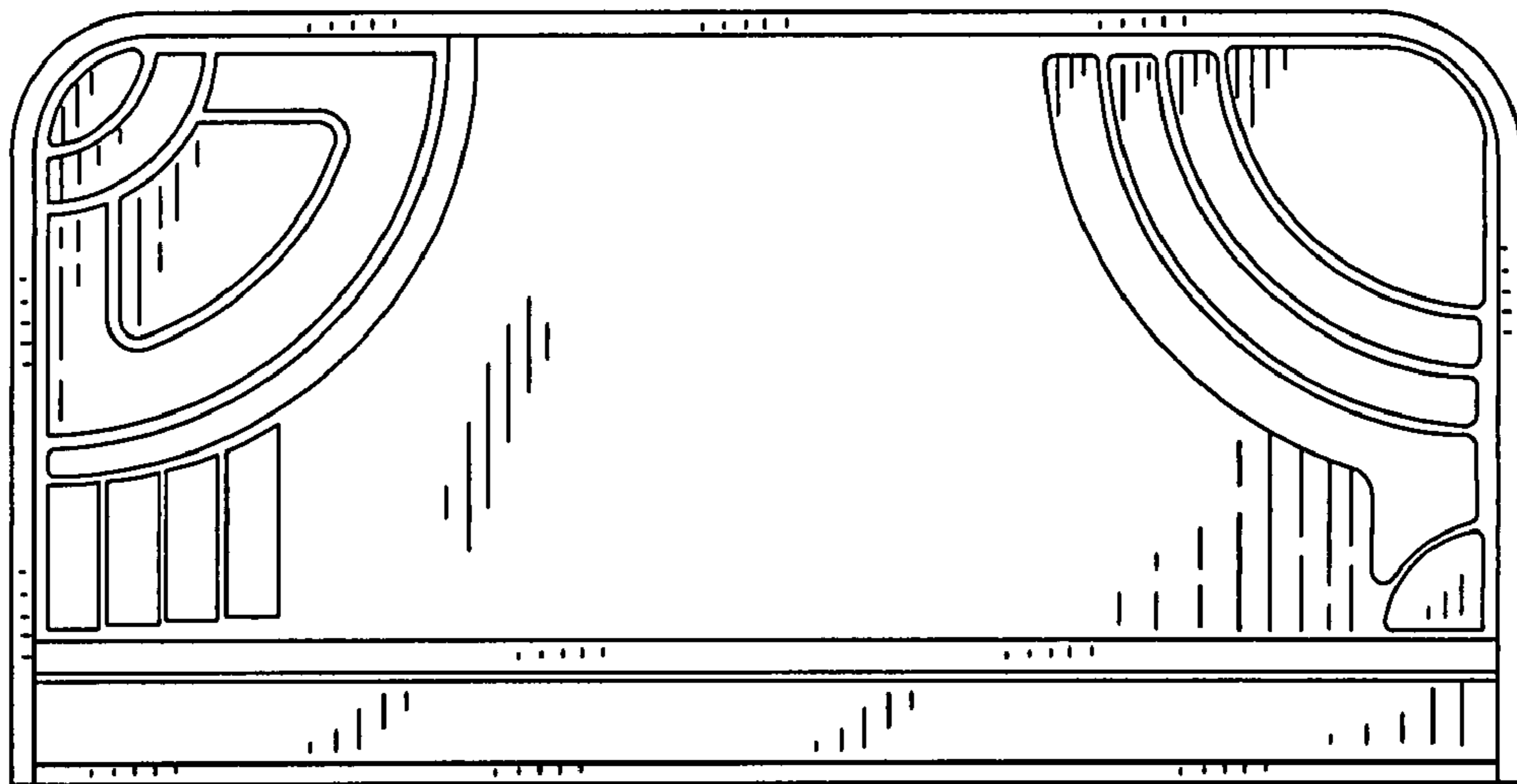
*Fig. 4*



*Fig. 5*



*Fig. 6*



*Fig. 7*