



US00D573714S

(12) **United States Design Patent**
Bybee et al.

(10) **Patent No.:** **US D573,714 S**
(45) **Date of Patent:** **** Jul. 22, 2008**

(54) **SPLINT FOR A WRIST BRACE**

(75) Inventors: **Eric D. Bybee**, Merrimac, WI (US);
John Fritsch, Prairie du Sac, WI (US)

(73) Assignee: **Mueller Sports Medicine, Inc.**, Prairie
Du Sac, WI (US)

(**) Term: **14 Years**

(21) Appl. No.: **29/276,521**

(22) Filed: **Jan. 27, 2007**

Related U.S. Application Data

(62) Division of application No. 60/763,190, filed on Jan.
28, 2006.

(51) **LOC (8) Cl.** **24-01**

(52) **U.S. Cl.** **D24/190**

(58) **Field of Classification Search** D24/188-192;
D2/610; 602/4-21, 23, 27, 60, 64, 65; 128/871,
128/878, 882, DIG. 20; 606/201-202; 601/27-32,
601/151-152

See application file for complete search history.

(56) **References Cited**

U.S. PATENT DOCUMENTS

3,030,633 A * 4/1962 Chalfin 2/258
5,725,490 A * 3/1998 Conran 602/21

6,200,286 B1 * 3/2001 Zamani 602/64
D443,640 S * 6/2001 Schapiro D19/35
D499,184 S * 11/2004 Mills et al. D24/190
2002/0157681 A1 * 10/2002 Blazek 132/76.4

* cited by examiner

Primary Examiner—Robert M. Spear
Assistant Examiner—Susan E Krakower
(74) *Attorney, Agent, or Firm*—Rick Abegglen

(57) **CLAIM**

We claim the ornamental design for a splint for a wrist brace,
as shown and described.

DESCRIPTION

FIG. 1 is a perspective view of a splint for a wrist brace
showing our new design;

FIG. 2 is a front view thereof;

FIG. 3 is a rear view thereof;

FIG. 4 is a left side view thereof;

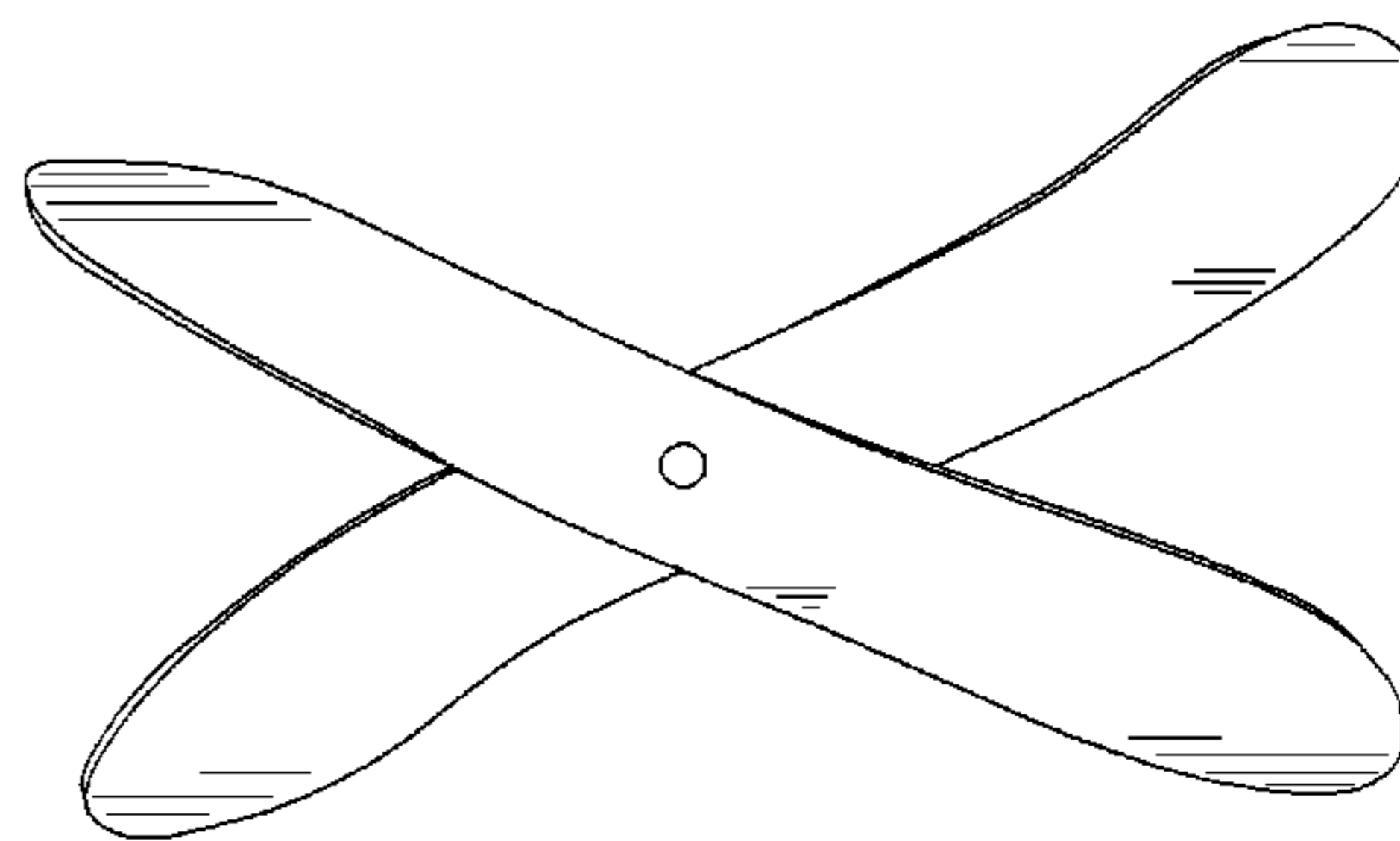
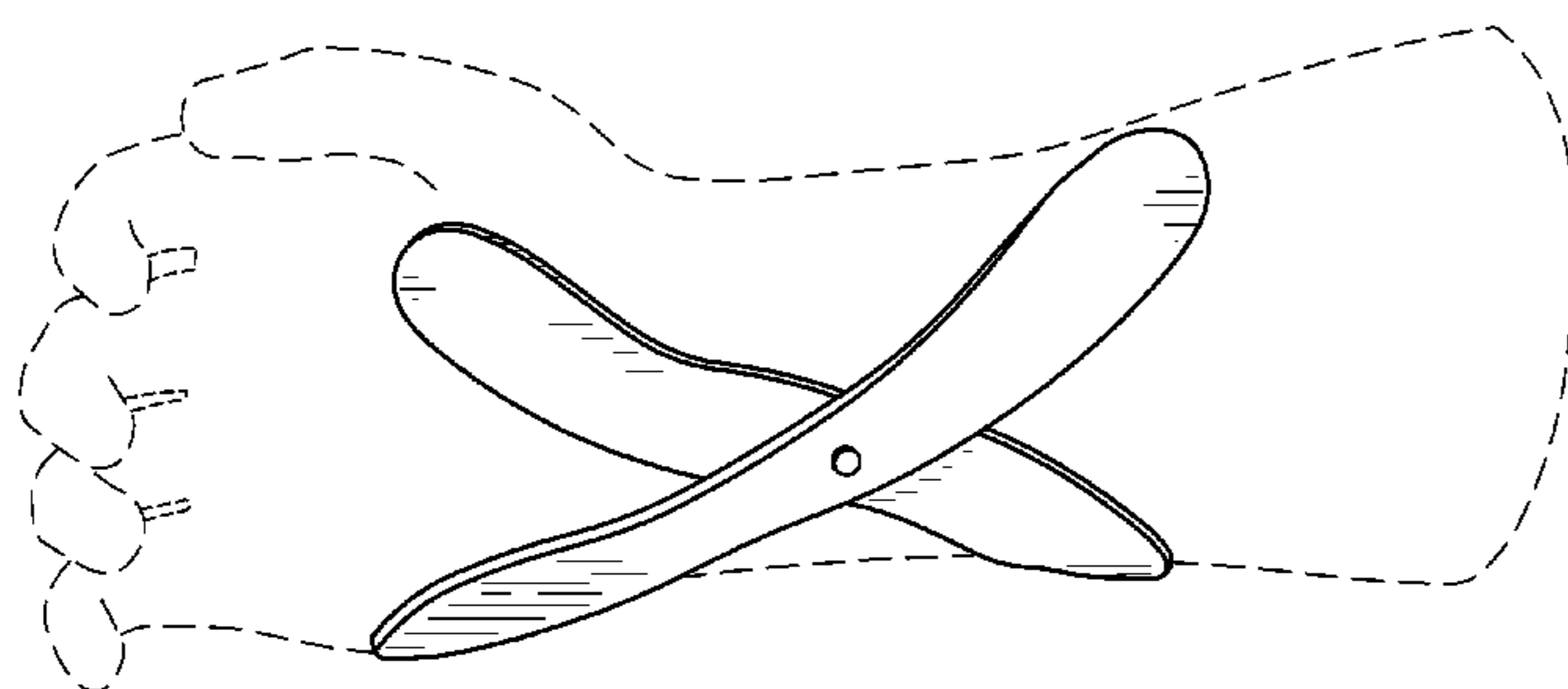
FIG. 5 is a right side view thereof;

FIG. 6 is a top view thereof; and,

FIG. 7 is a bottom view thereof.

The broken lines in the drawings represent environmental
structure and form no part of the claimed design.

1 Claim, 4 Drawing Sheets



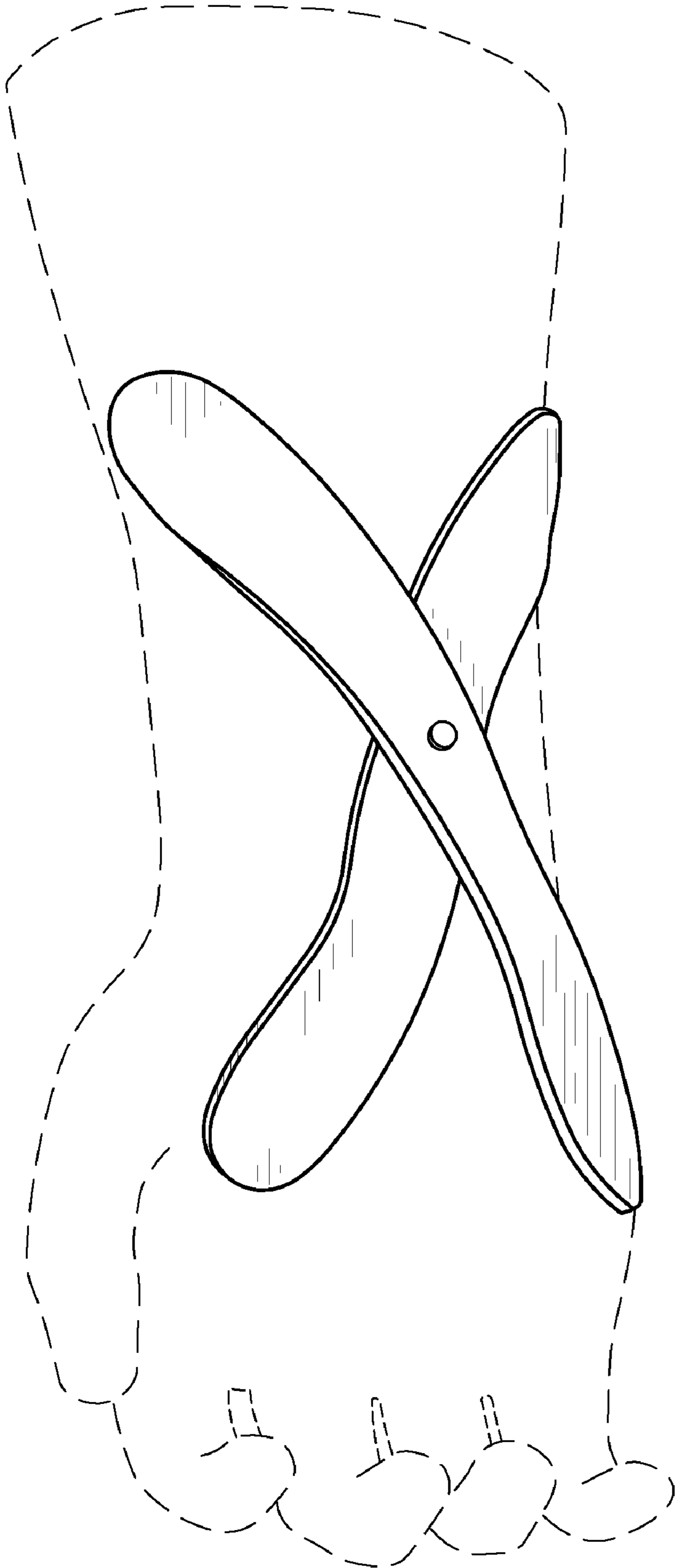


FIG. 1

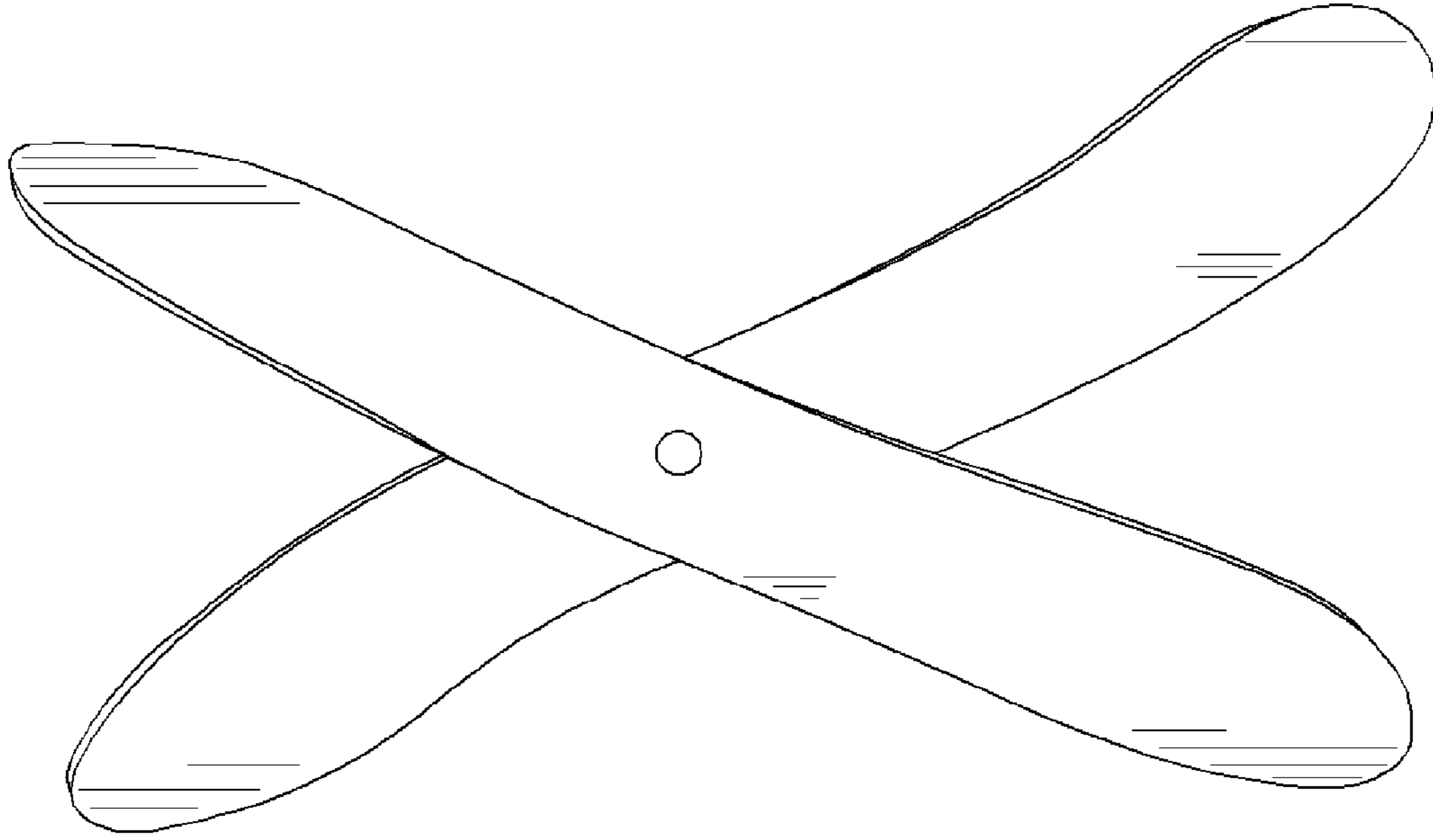


FIG. 2

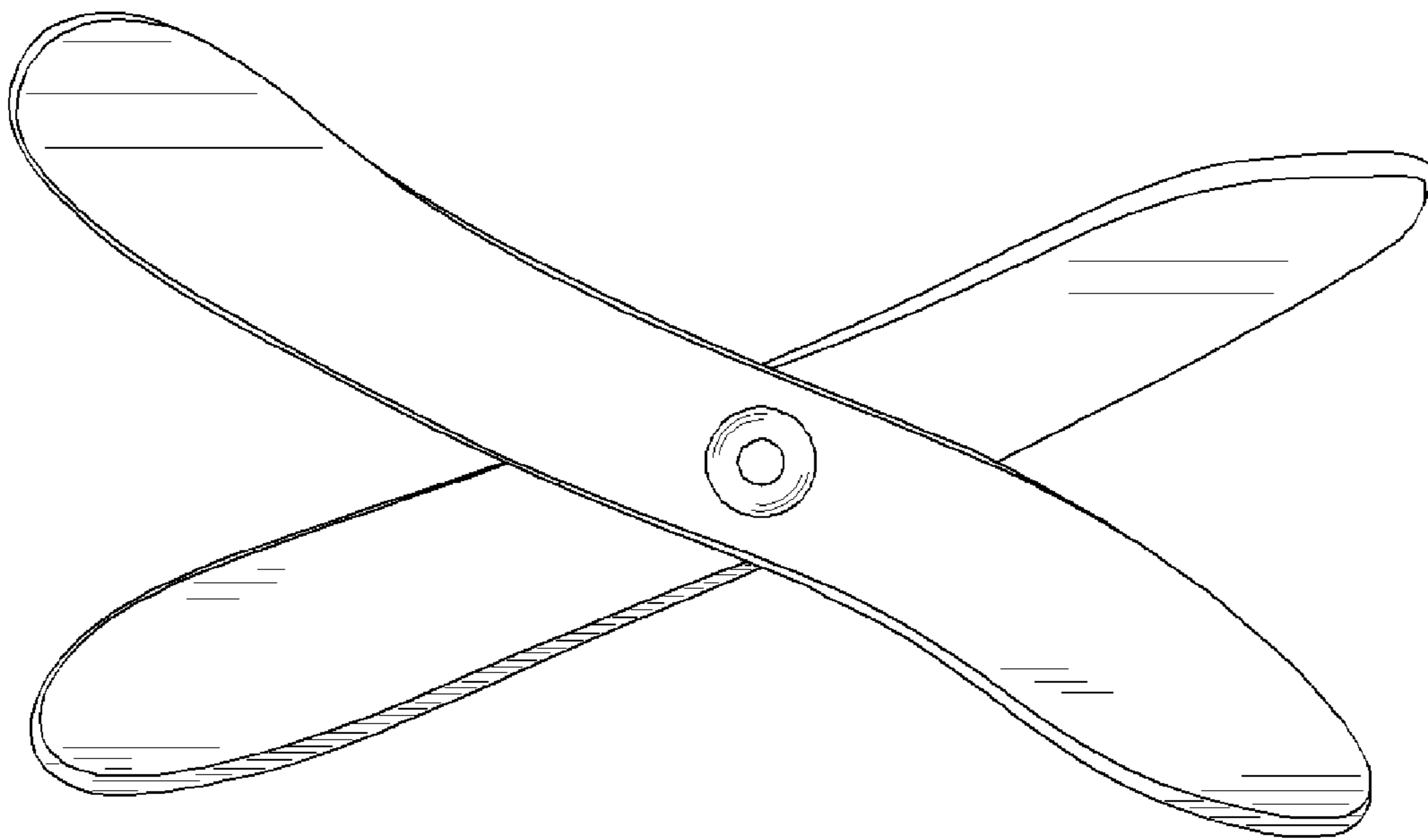


FIG. 3

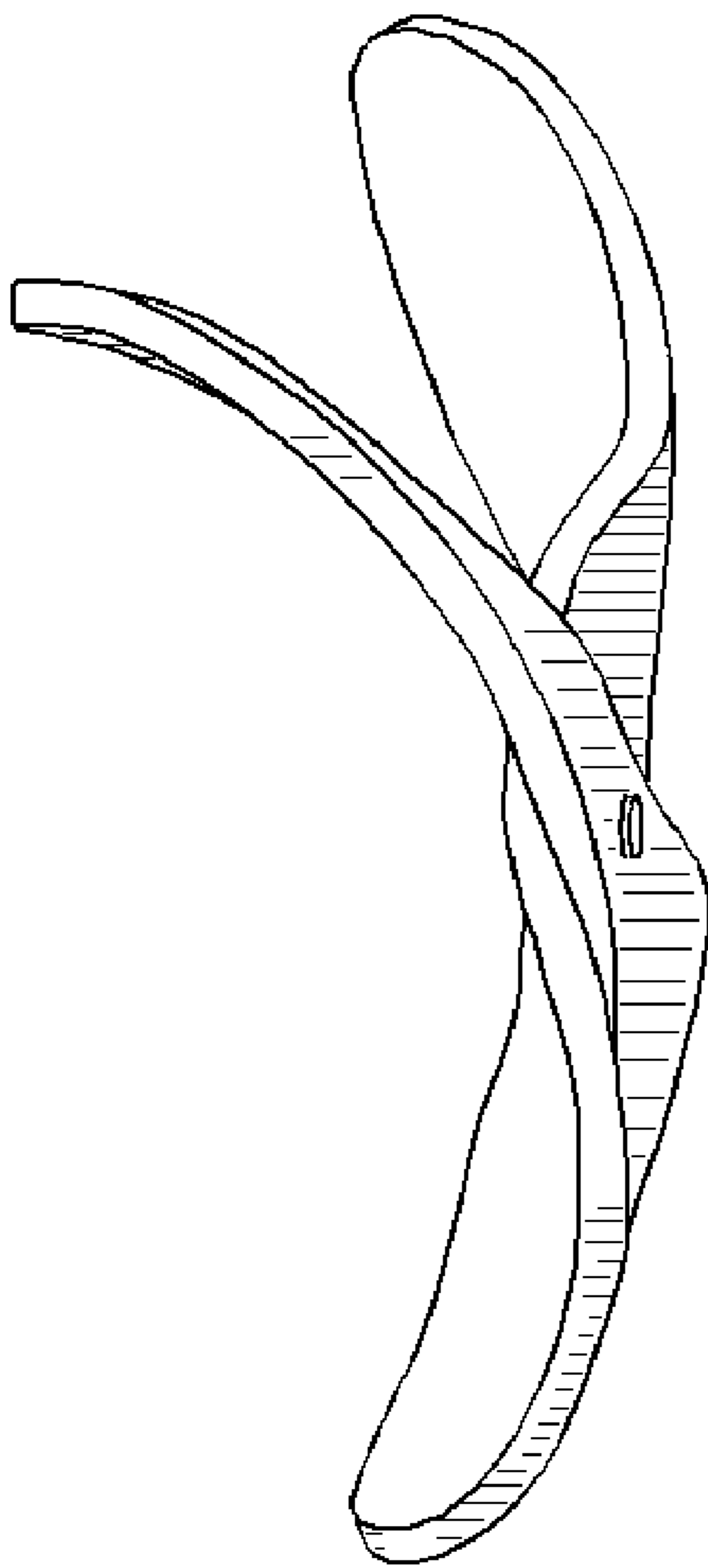


FIG. 4

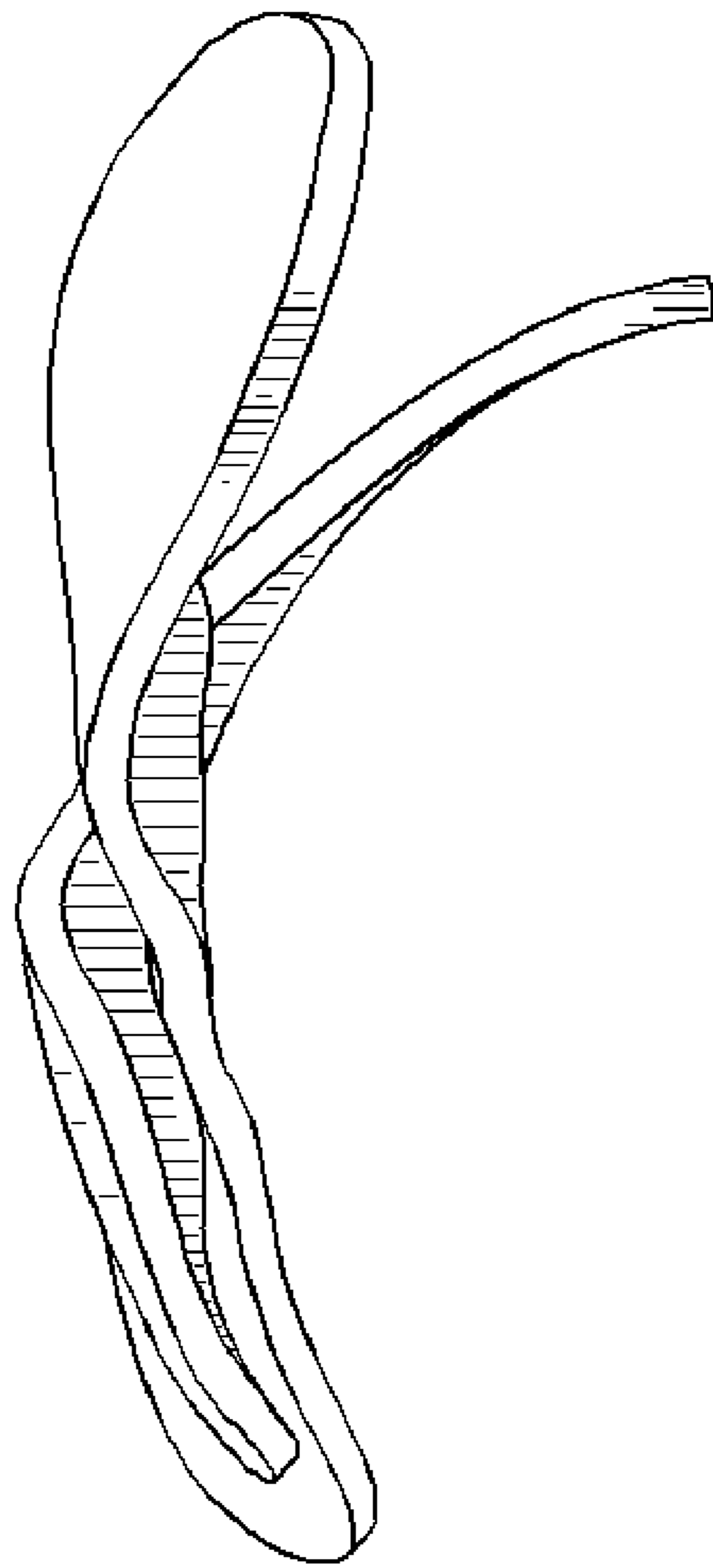


FIG. 5

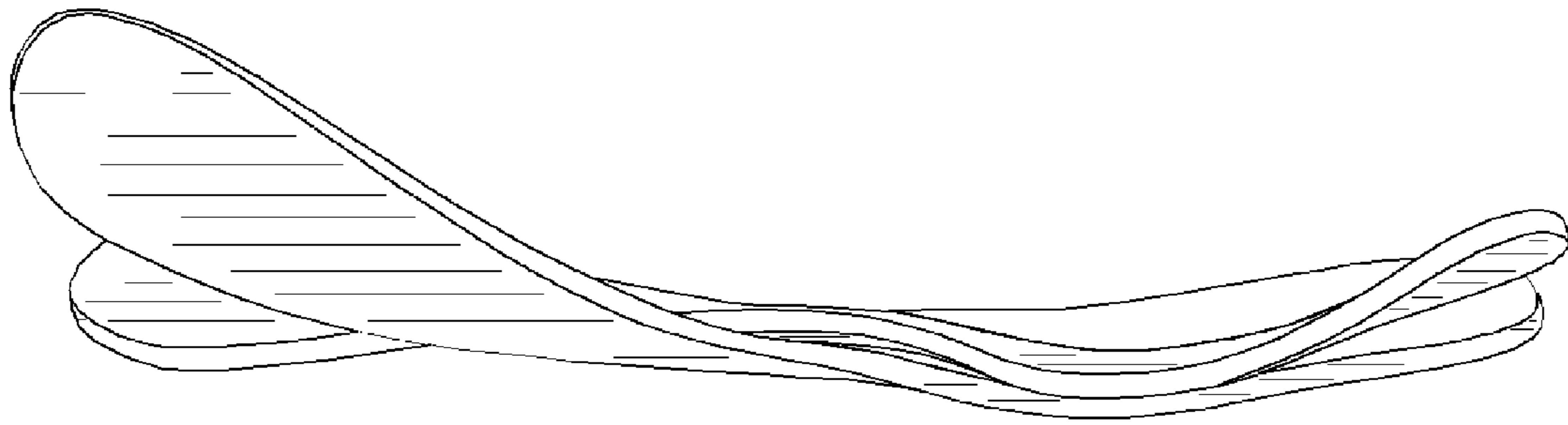


FIG. 6

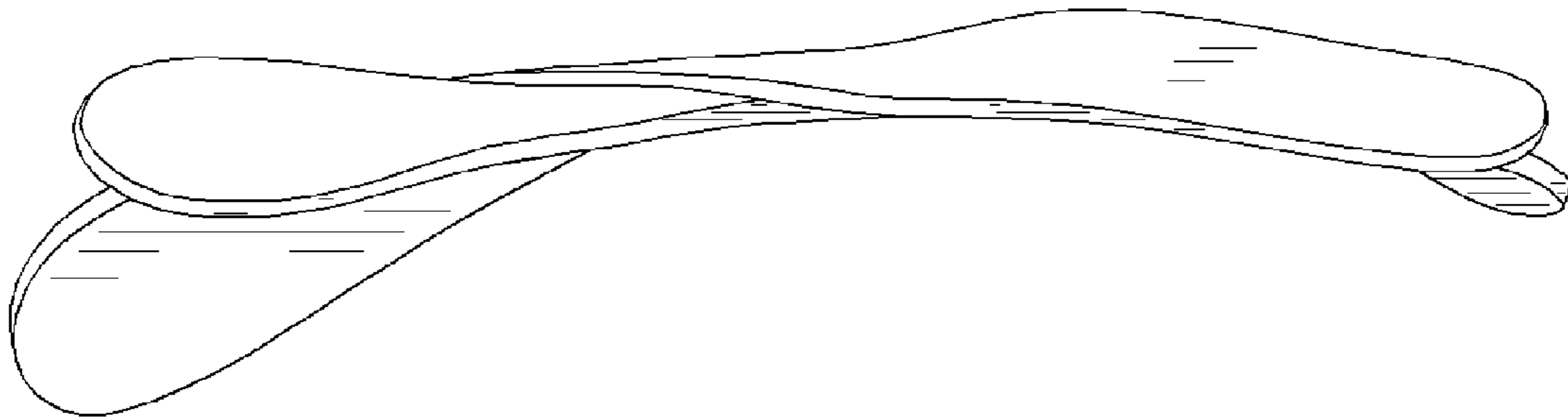


FIG. 7