



US00D573713S

(12) **United States Design Patent**
Mueller et al.

(10) **Patent No.:** **US D573,713 S**
(45) **Date of Patent:** **** Jul. 22, 2008**

(54) **KNEE BRACE**

(75) Inventors: **Brett Mueller**, Middleton, WI (US);
Eric D. Bybee, Merrimac, WI (US)

(73) Assignee: **Mueller Sports Medicine, Inc.**, Prairie
du Sac, WI (US)

(**) Term: **14 Years**

(21) Appl. No.: **29/276,520**

(22) Filed: **Jan. 27, 2007**

(51) **LOC (8) Cl.** **24-01**

(52) **U.S. Cl.** **D24/190**

(58) **Field of Classification Search** D24/190-192,
D24/200-215; 607/98, 108-111; D2/897,
D2/905, 909-914; 602/14, 16, 26, 61, 62
See application file for complete search history.

(56) **References Cited**

U.S. PATENT DOCUMENTS

4,353,362	A *	10/1982	DeMarco	602/26
4,366,813	A *	1/1983	Nelson	602/26
5,016,621	A *	5/1991	Bender	602/26
5,139,477	A *	8/1992	Peters	602/26
D501,927	S *	2/2005	McCormick et al.	D24/190

7,083,586	B2 *	8/2006	Simmons et al.	602/23
D527,825	S *	9/2006	Ingimundarson et al.	...	D24/190
7,217,249	B2 *	5/2007	Scott	602/23
2006/0135903	A1 *	6/2006	Ingimundarson et al.	602/26

* cited by examiner

Primary Examiner—Robert M. Spear

Assistant Examiner—Susan E Krakower

(74) *Attorney, Agent, or Firm*—Rick Abegglen

(57) **CLAIM**

We claim the ornamental design for a knee brace, as shown and described.

DESCRIPTION

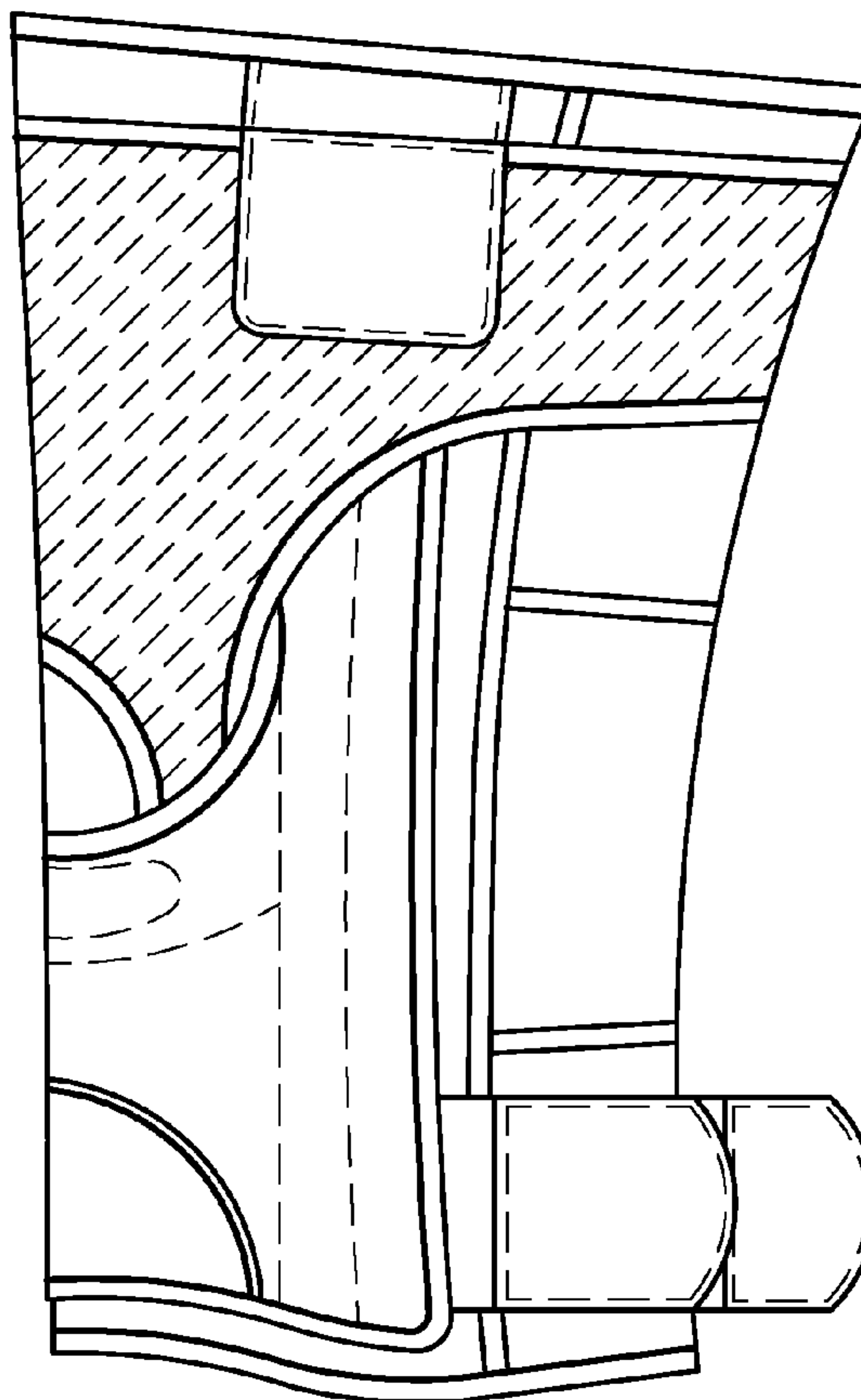
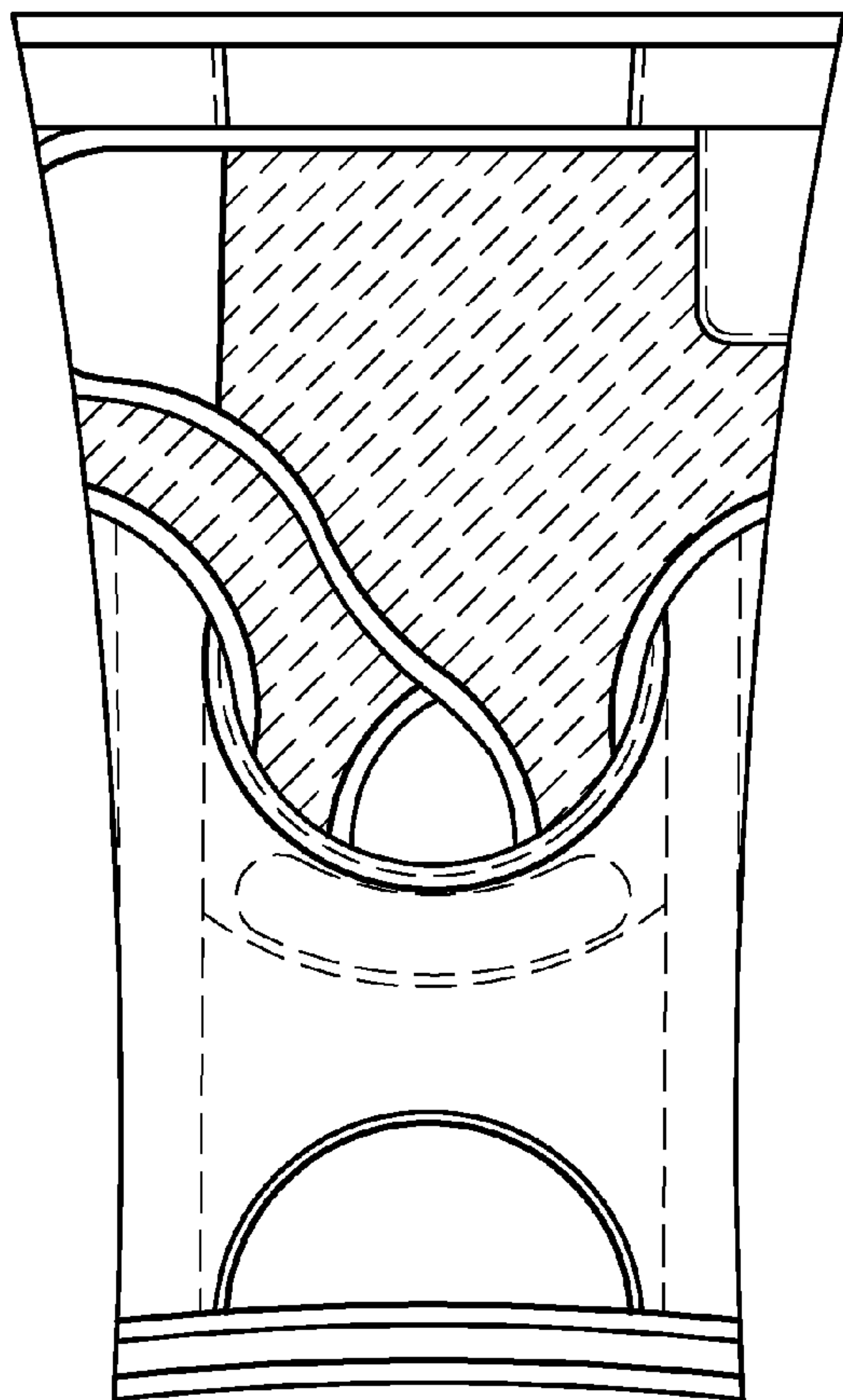
FIG. 1 is a front view of a knee brace showing my new design; FIG. 2 is a back view thereof with the lower fastening strap fastened;

FIG. 3 is a left side view thereof with the lower fastening strap laid flat; and,

FIG. 4 is a right side view thereof with the lower fastening strap laid flat.

The broken lines in the drawings represent environmental structure and form no part of the claimed design.

1 Claim, 2 Drawing Sheets



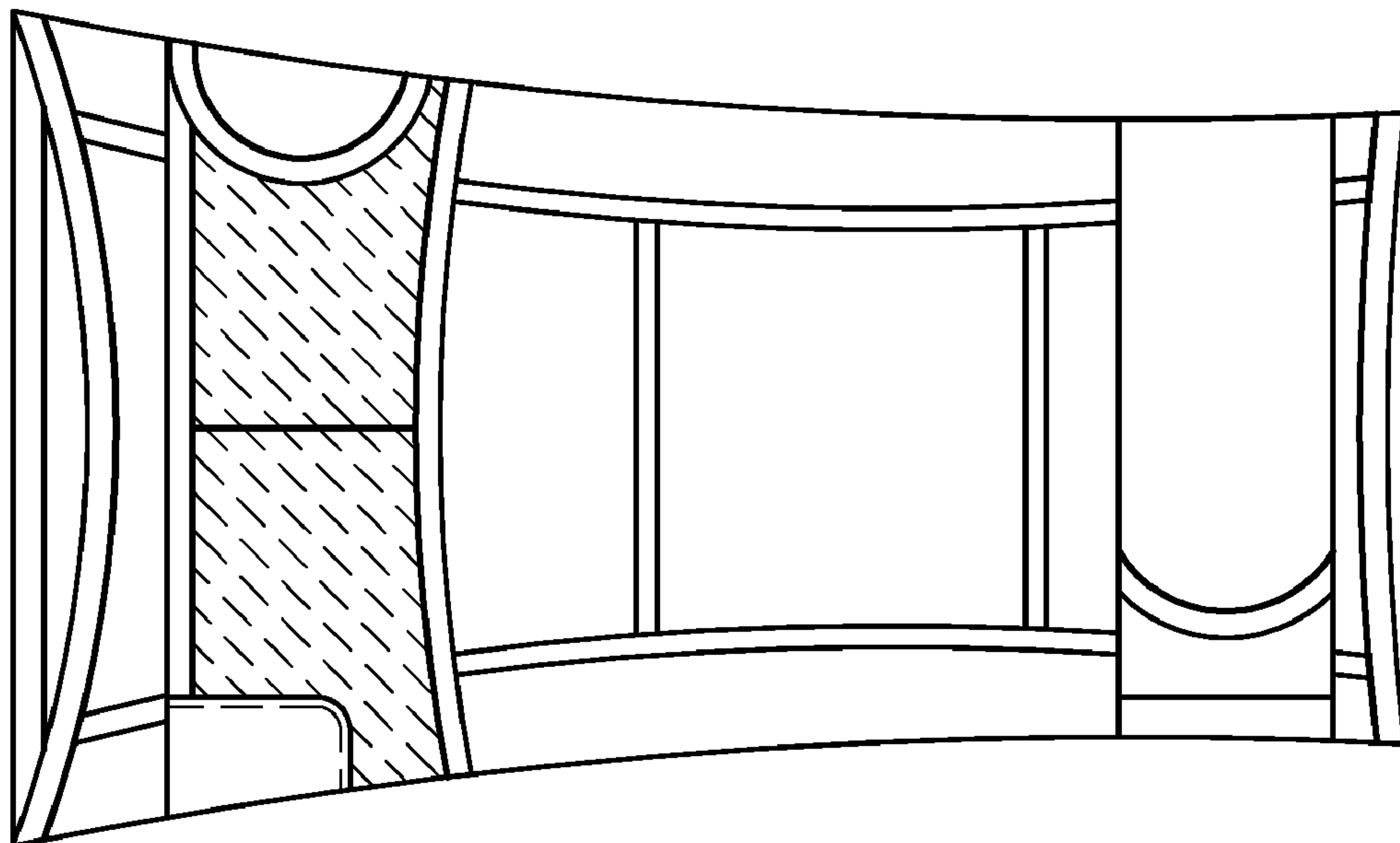


FIG. 2

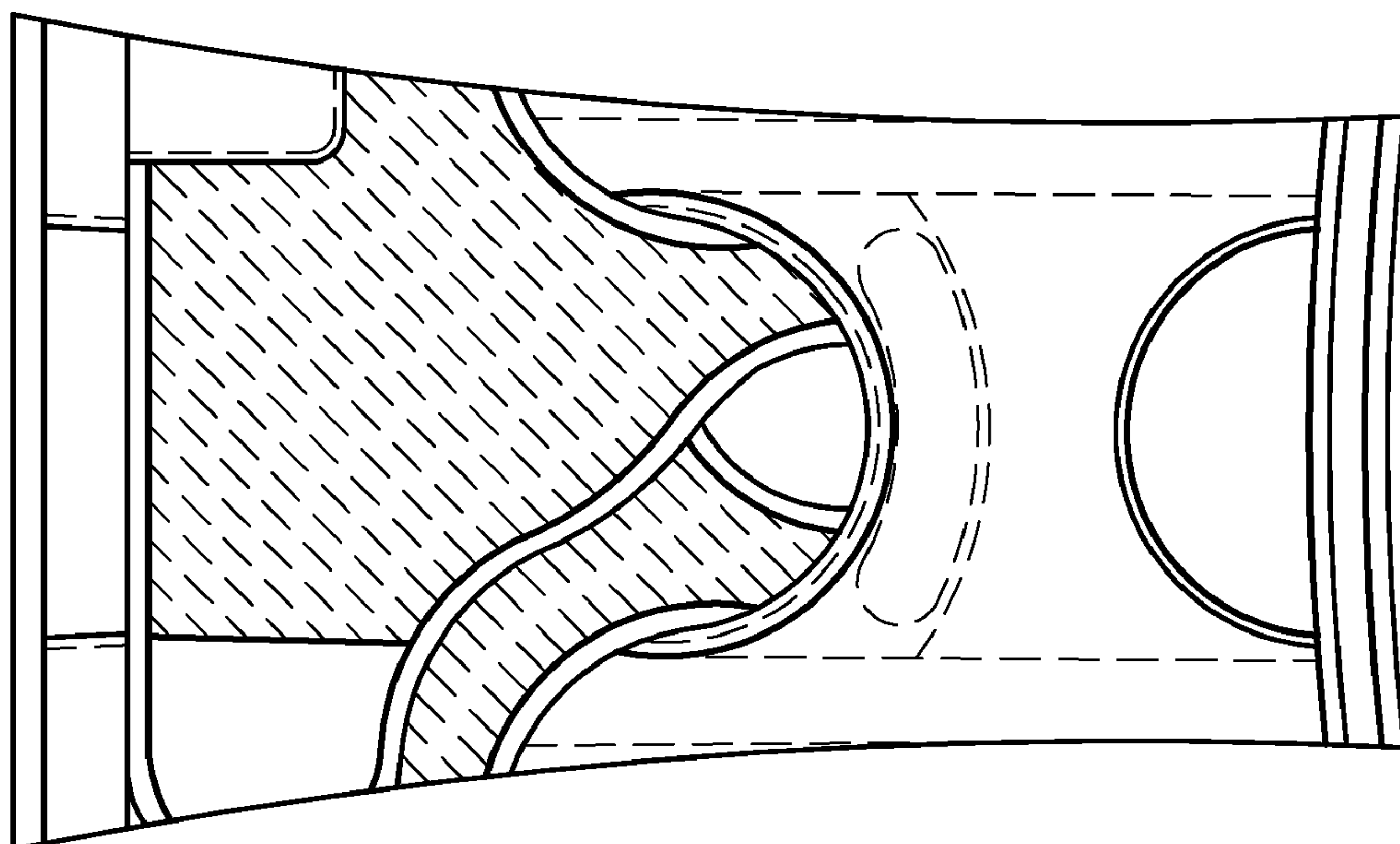


FIG. 1

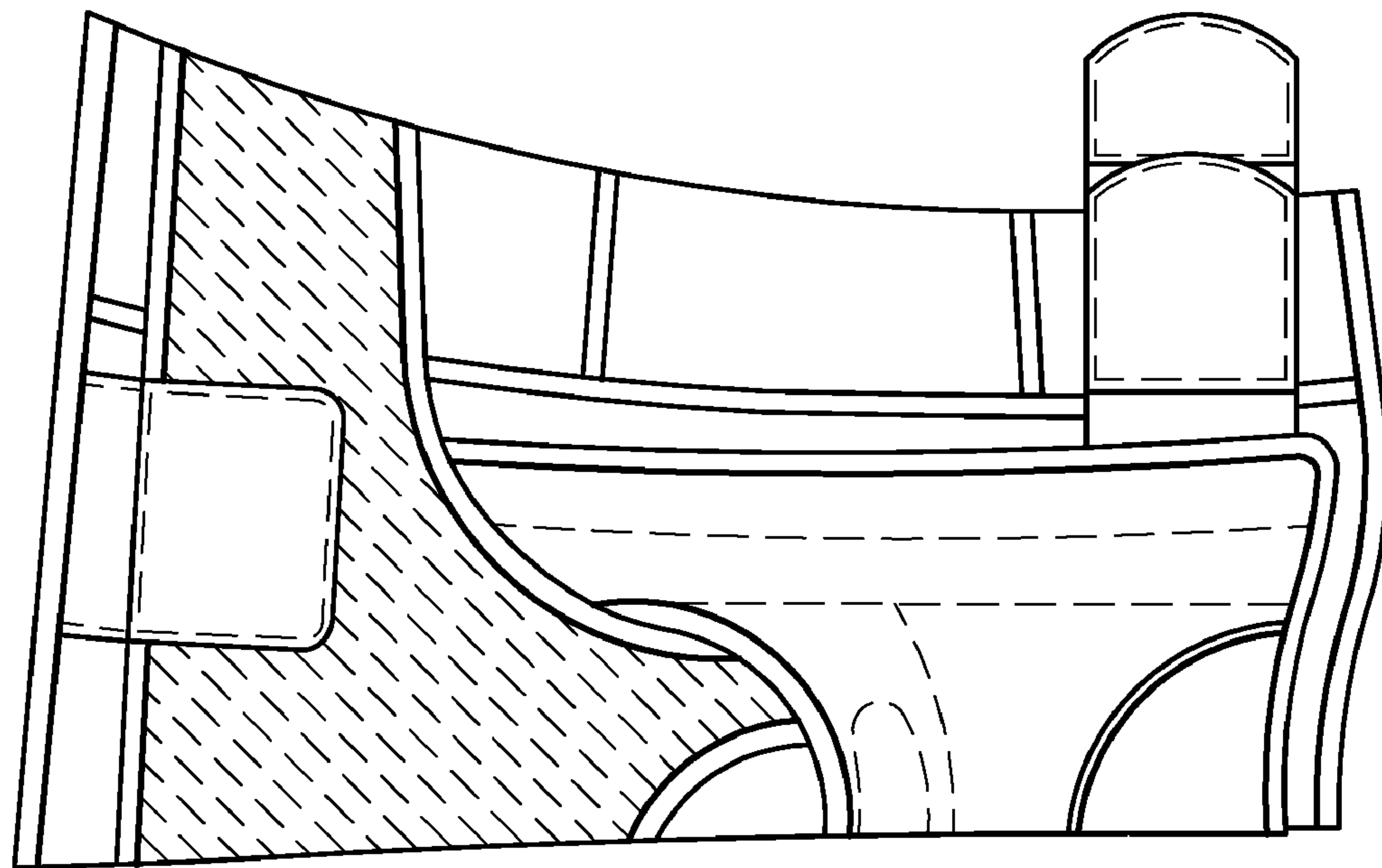


FIG. 4

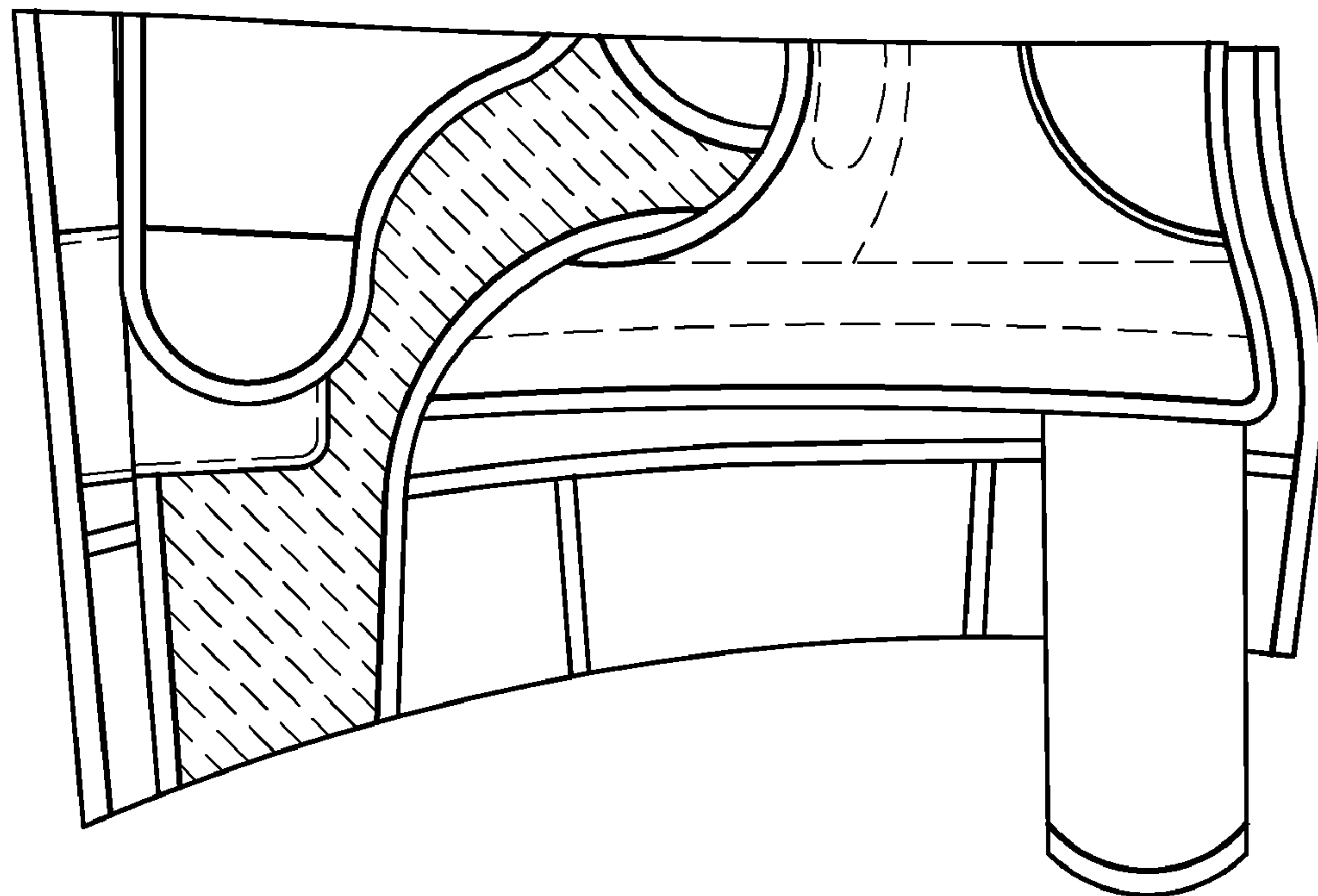


FIG. 3