



US00D573710S

(12) **United States Design Patent**
Goodman et al.

(10) **Patent No.:** **US D573,710 S**
(45) **Date of Patent:** **** Jul. 22, 2008**

(54) **DISPENSER**

(75) Inventors: **Jack Goodman**, Ann Arbor, MI (US);
Gregory Hake, Otsego, MN (US);
Thomas Schoon, Shoreview, MN (US);
Thomas A. Shepard, Rolesville, NC
(US)

(73) Assignee: **Closure Medical Corporation**, Raleigh,
NC (US)

(**) Term: **14 Years**

(21) Appl. No.: **29/250,751**

(22) Filed: **Nov. 30, 2006**

(51) **LOC (8) Cl.** **24-01**

(52) **U.S. Cl.** **D24/133; D24/115; D24/145**

(58) **Field of Classification Search** D6/542,
D6/573, 513; D9/549, 723-730, 734, 696,
D9/731, 733; D24/115, 133, 145; 606/139,
606/232, 213-214

See application file for complete search history.

(56) **References Cited**

U.S. PATENT DOCUMENTS

5,358,349 A * 10/1994 Burroughs et al. 401/184
5,702,759 A 12/1997 White et al.
5,924,206 A * 7/1999 Cote et al. 30/337
5,928,611 A 7/1999 Leung
6,010,263 A 1/2000 White et al.
6,048,921 A 4/2000 White et al.
6,425,704 B2 7/2002 Voiers et al.

D465,279 S * 11/2002 Etter et al. D24/133
D469,694 S * 2/2003 Lerolle D9/522
D472,578 S * 4/2003 Plantz et al. D19/51
6,582,453 B1 * 6/2003 Tran et al. 606/232
6,705,790 B2 * 3/2004 Quintero et al. 401/132
D493,484 S * 7/2004 Shova et al. D19/43
D494,270 S * 8/2004 Reschke D24/144
D500,085 S * 12/2004 Cotter et al. D19/66
D521,385 S * 5/2006 Priestman D9/529
D539,420 S * 3/2007 Zahn et al. D24/115
D559,385 S * 1/2008 Boone et al. D24/133
2003/0075200 A1 4/2003 Gueret
2005/0175395 A1 8/2005 Quintero et al.

* cited by examiner

Primary Examiner—Ian Simmons
Assistant Examiner—Wan Laymon

(57) **CLAIM**

The ornamental design for a dispenser, as shown and described.

DESCRIPTION

FIG. 1 is a front/top perspective view of a dispenser showing our design;

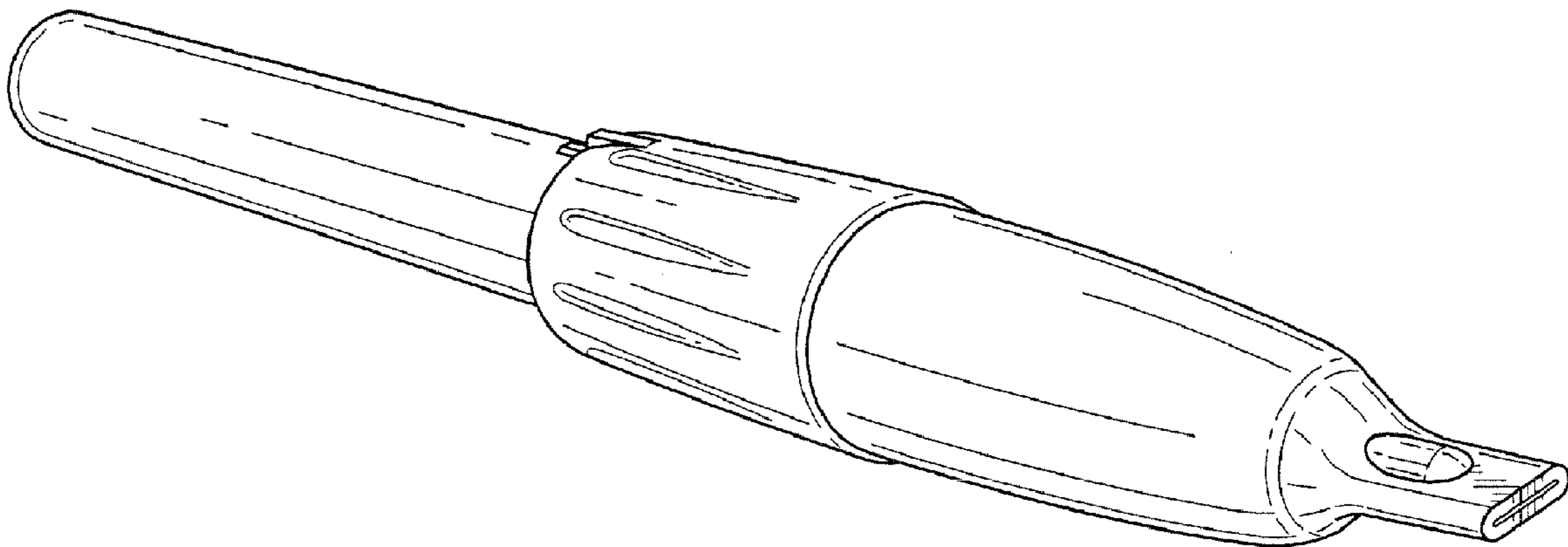
FIG. 2 is a left side elevational view, the right side elevational view is a mirror image;

FIG. 3 is a top plan view, the bottom plan is a mirror image;

FIG. 4 is a front end elevational view; and,

FIG. 5 is a rear end elevational view.

1 Claim, 1 Drawing Sheet



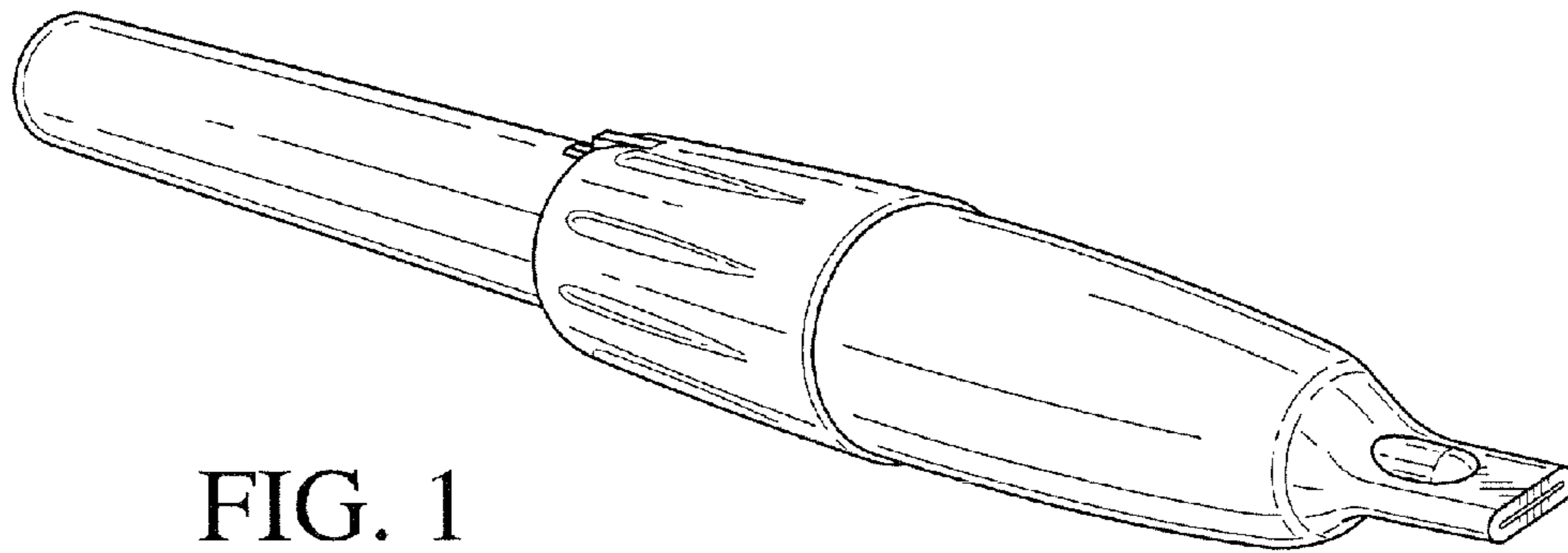


FIG. 1

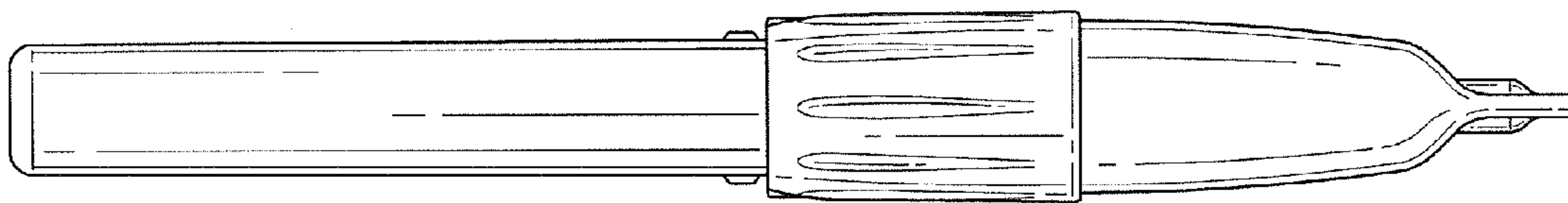


FIG. 2

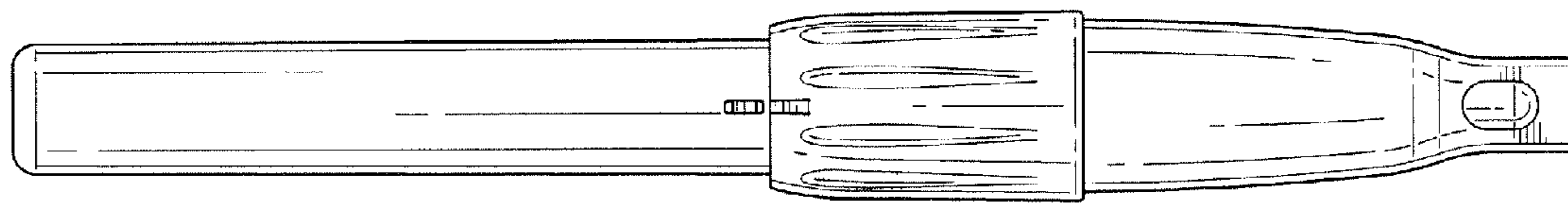


FIG. 3

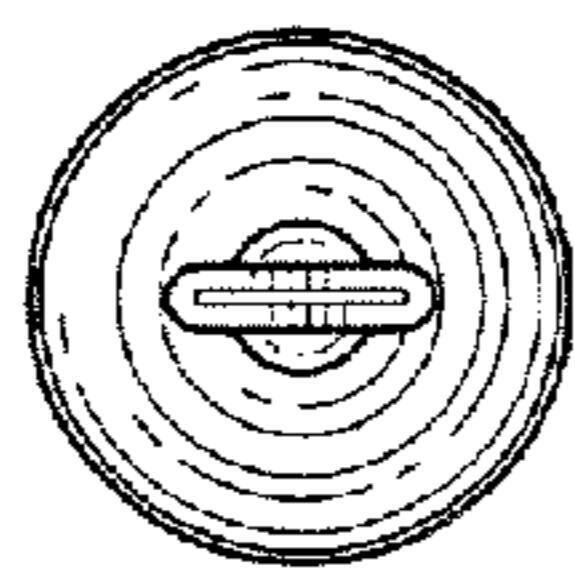


FIG. 4

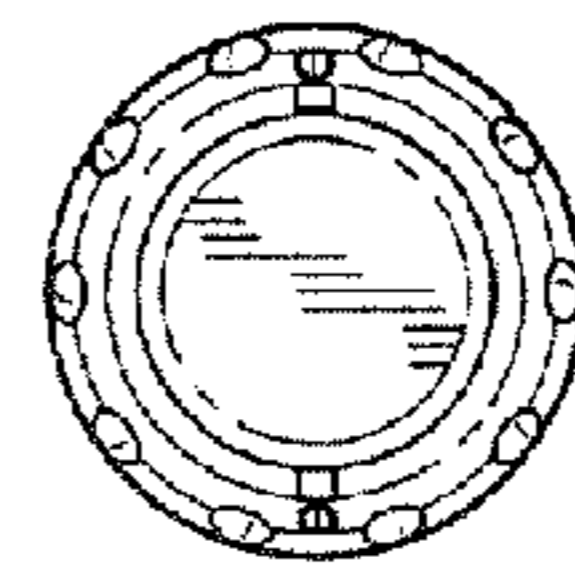


FIG. 5