



US00D573707S

(12) **United States Design Patent**
Hedlund et al.

(10) **Patent No.:** **US D573,707 S**
(45) **Date of Patent:** **** Jul. 22, 2008**

- (54) **ARM FOR THE EXTRACTION OF GASES/FUMES**
- (75) Inventors: **Per Hedlund**, Helsingborg (SE); **Björn Friberg**, Landskrona (SE); **Anders Ehrenstråle**, Helsingborg (SE)
- (73) Assignee: **AB Ph. Nederman & Co.**, Helsingborg (SE)
- (**) Term: **14 Years**
- (21) Appl. No.: **29/263,216**
- (22) Filed: **Jul. 19, 2006**
- (30) **Foreign Application Priority Data**
Jan. 20, 2006 (EM) 000467774
- (51) **LOC (8) Cl.** **23-04**
- (52) **U.S. Cl.** **D23/371**
- (58) **Field of Classification Search** D23/371,
D23/372; 454/65, 63; 285/184
See application file for complete search history.

- 4,860,644 A * 8/1989 Kohl et al. 454/65
- D327,122 S * 6/1992 Holmgren D23/371
- D424,678 S * 5/2000 Holmgren D23/371
- D463,017 S * 9/2002 Johansson D23/371

* cited by examiner

Primary Examiner—Lisa Lichtenstein
(74) *Attorney, Agent, or Firm*—Buchanan Ingersoll & Rooney PC

(57) **CLAIM**

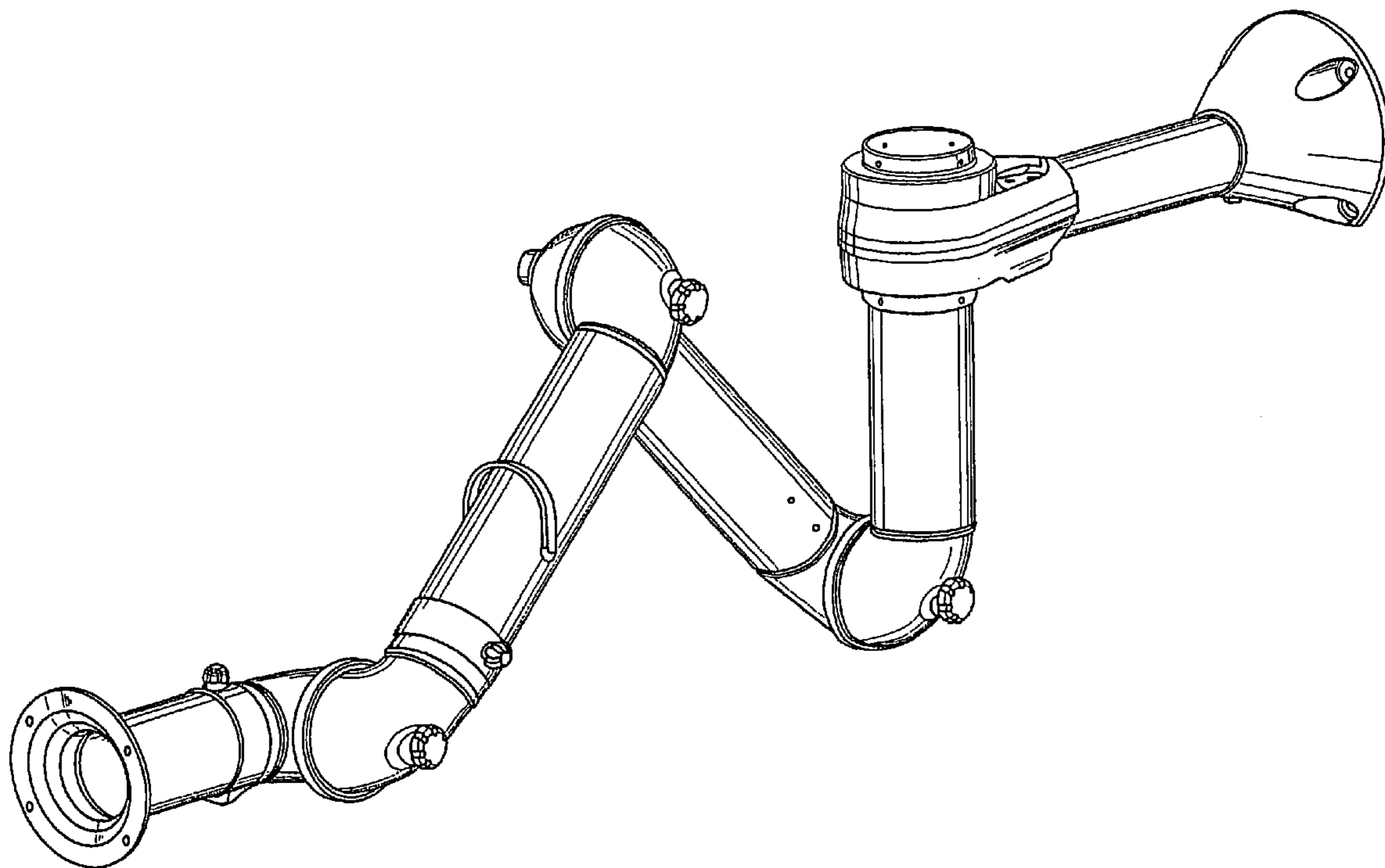
The ornamental design for an arm for the extraction of gases/fumes.

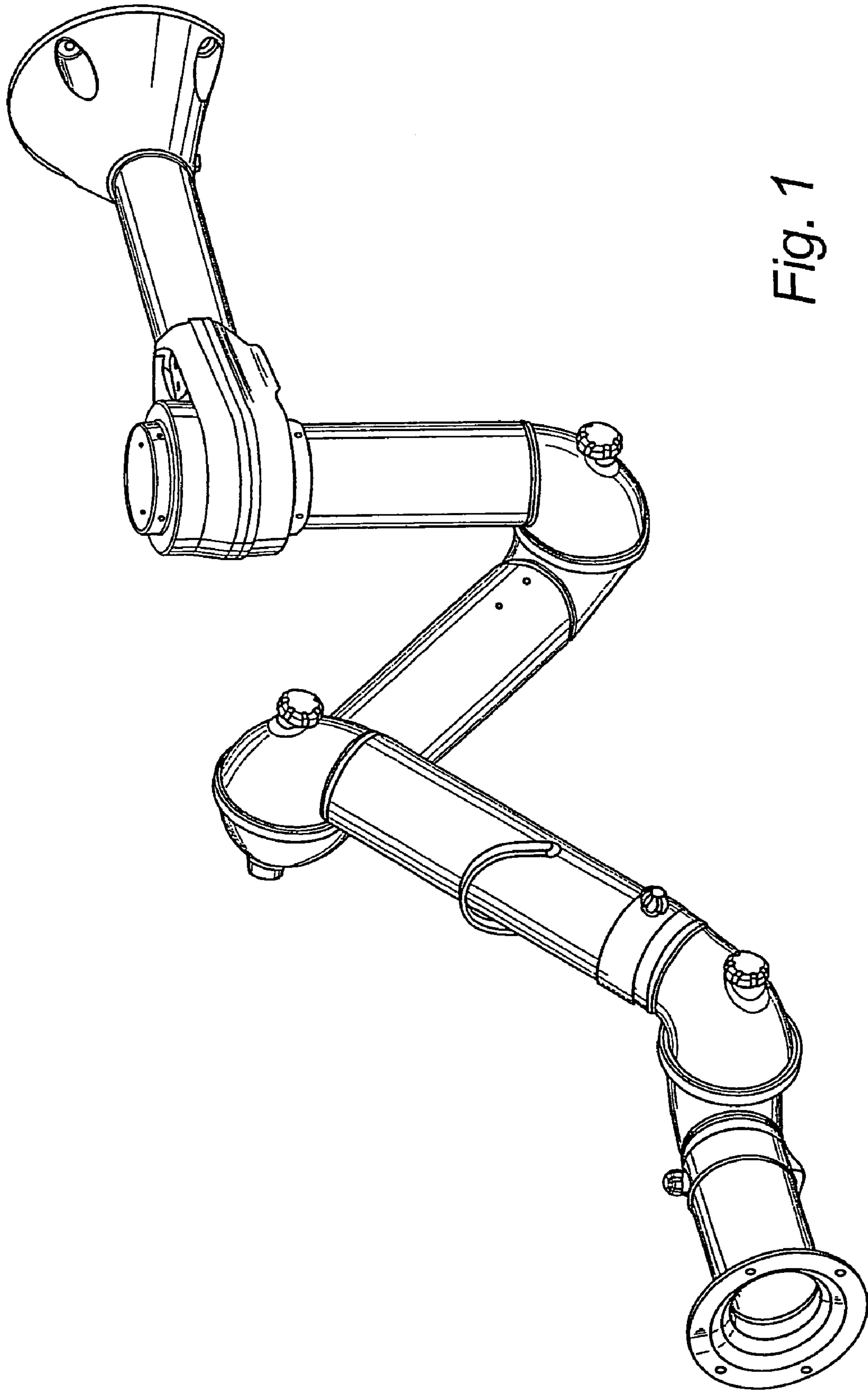
DESCRIPTION

- FIG. 1 is a front perspective view of the arm.
- FIG. 2 is a front perspective view of the arm.
- FIG. 3 is a side view of the arm.
- FIG. 4 is a bottom view of the arm.
- FIG. 5 is a side view of the arm.
- FIG. 6 is a top view of the arm.
- FIG. 7 is a front view of the arm; and,
- FIG. 8 is a back view of the arm.

- (56) **References Cited**
U.S. PATENT DOCUMENTS
D285,832 S * 9/1986 Nederman D23/371

1 Claim, 5 Drawing Sheets





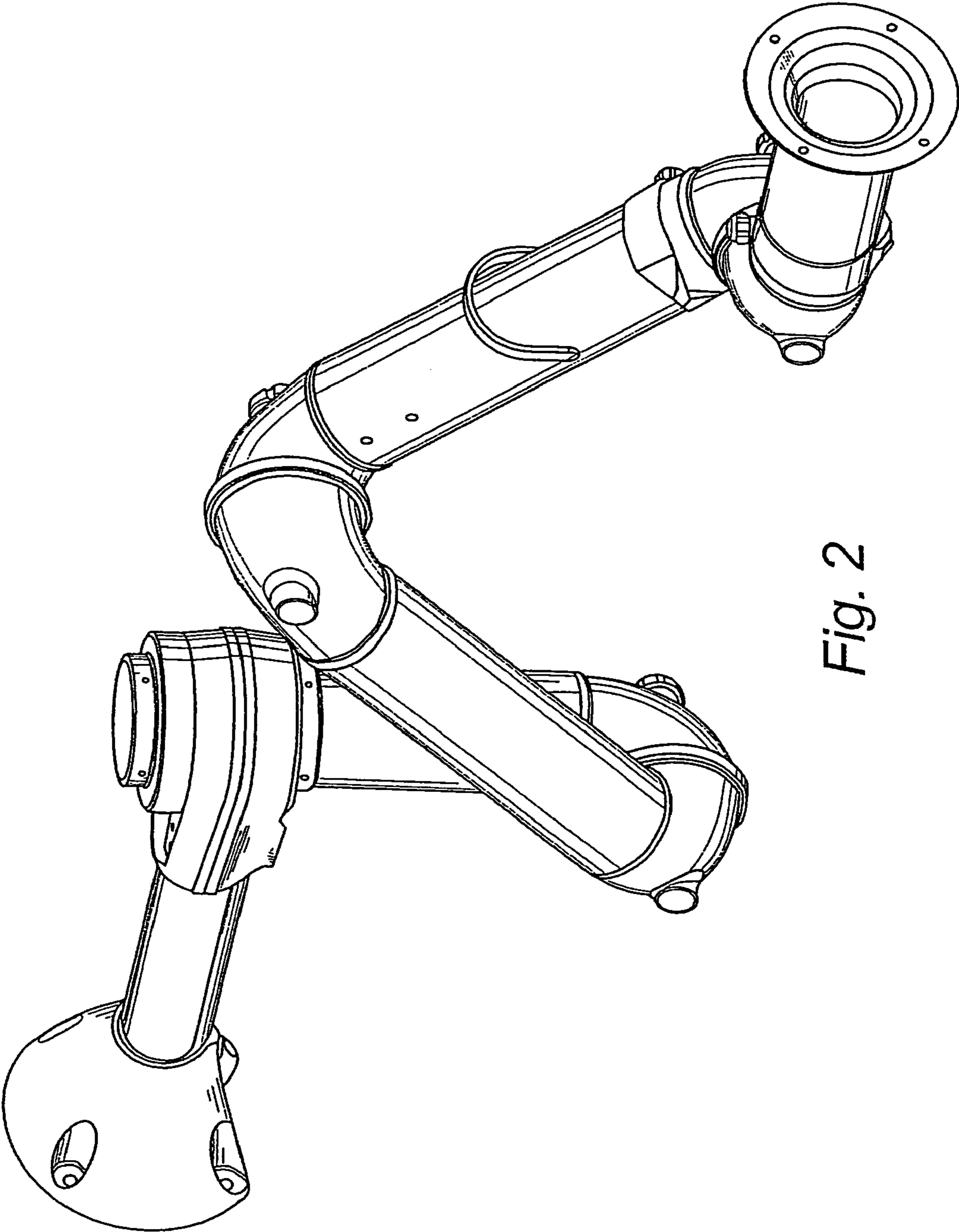
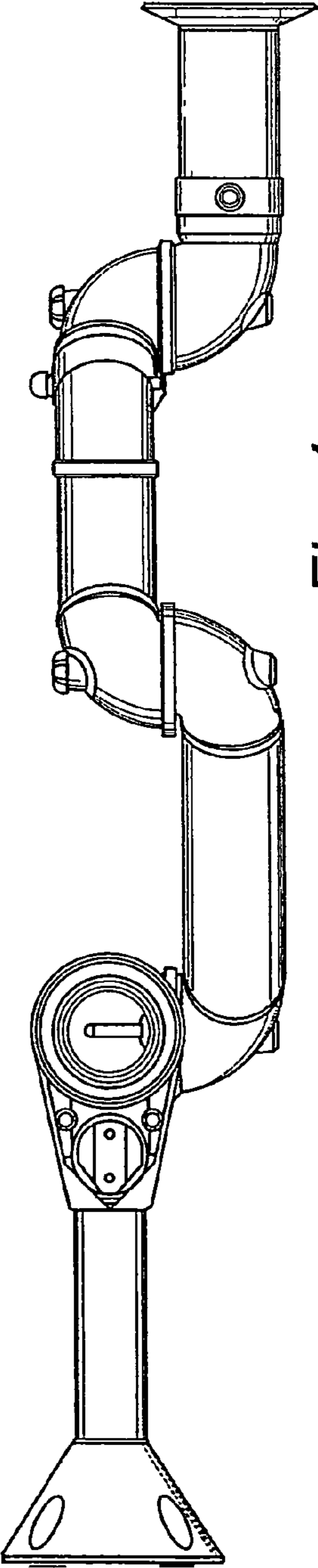
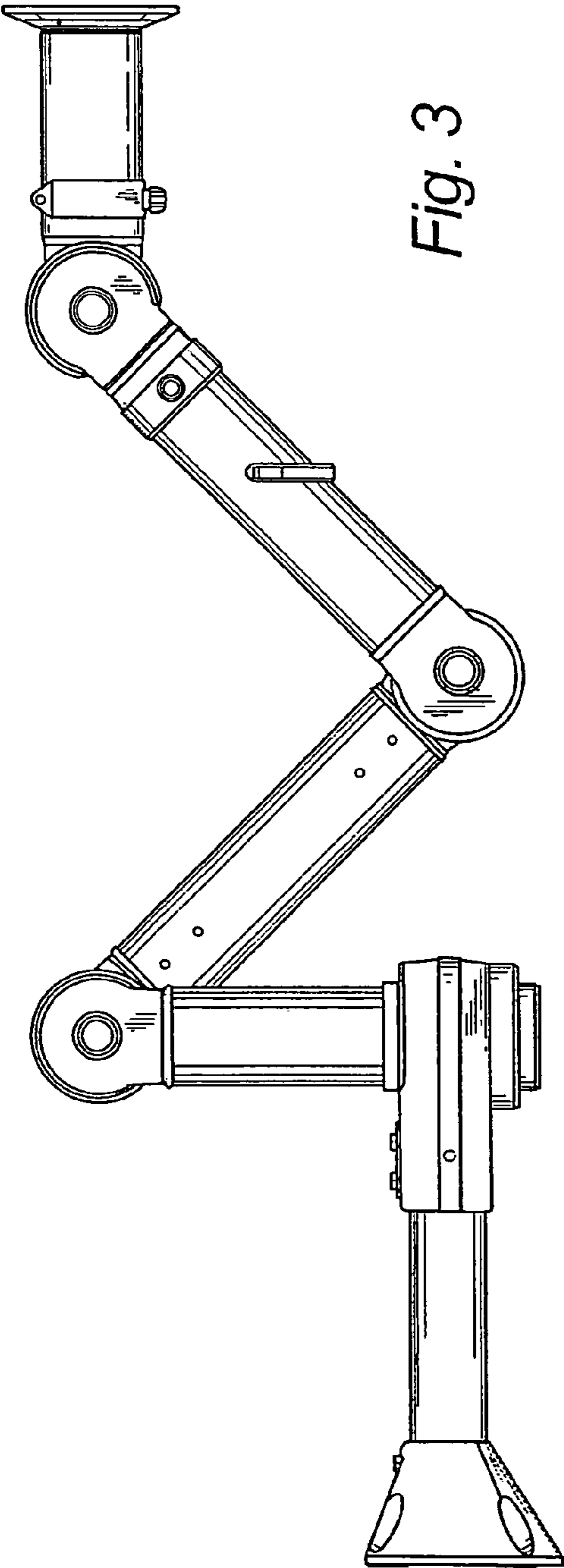


Fig. 2



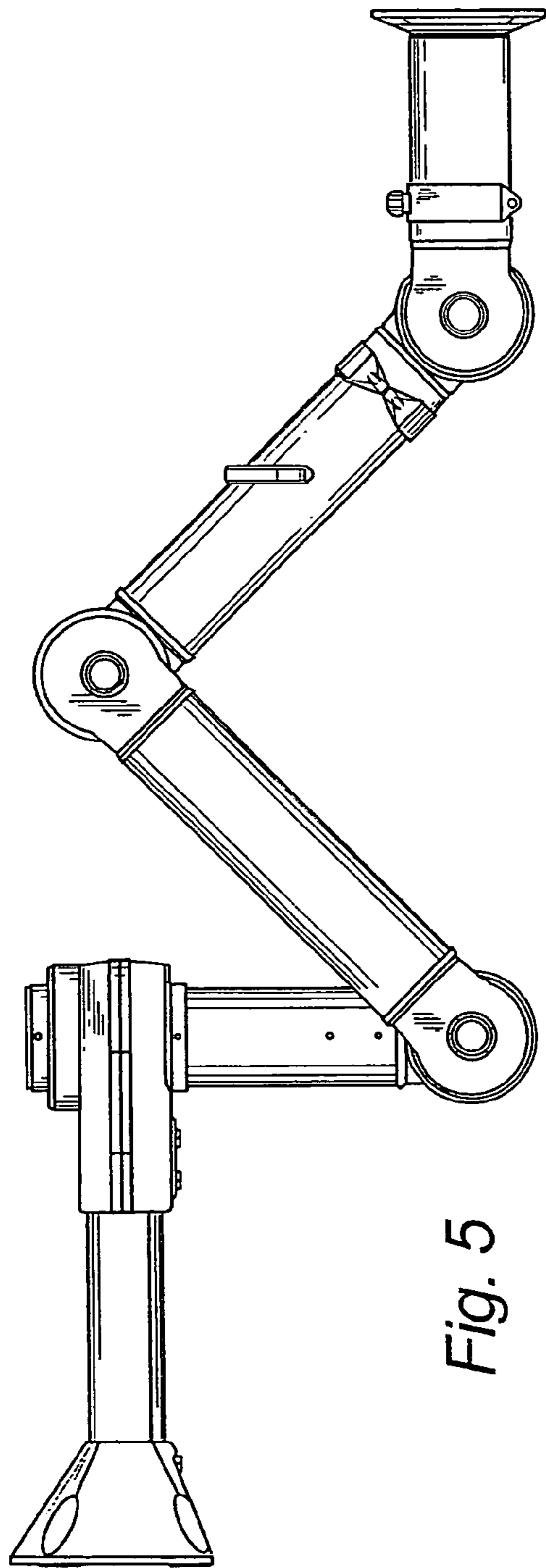


Fig. 5

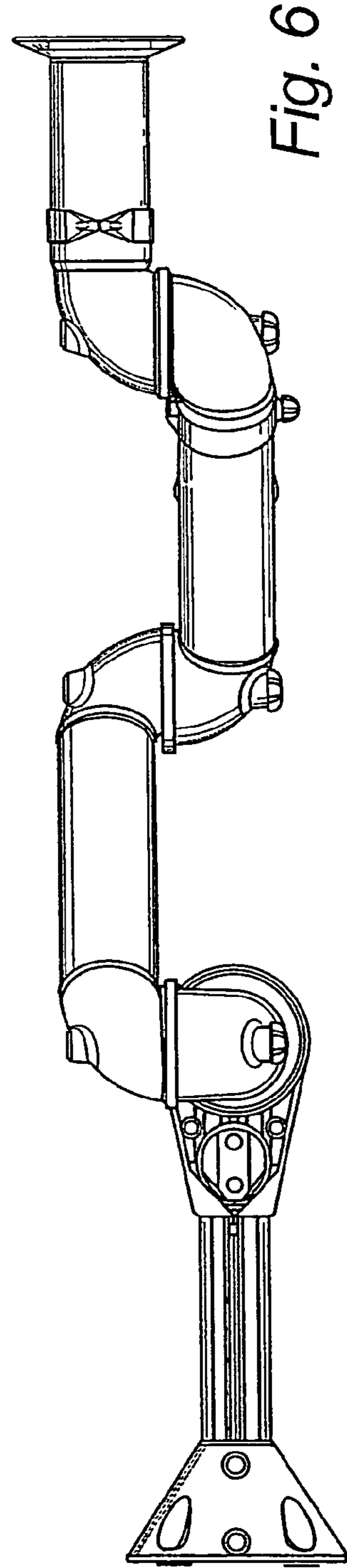


Fig. 6

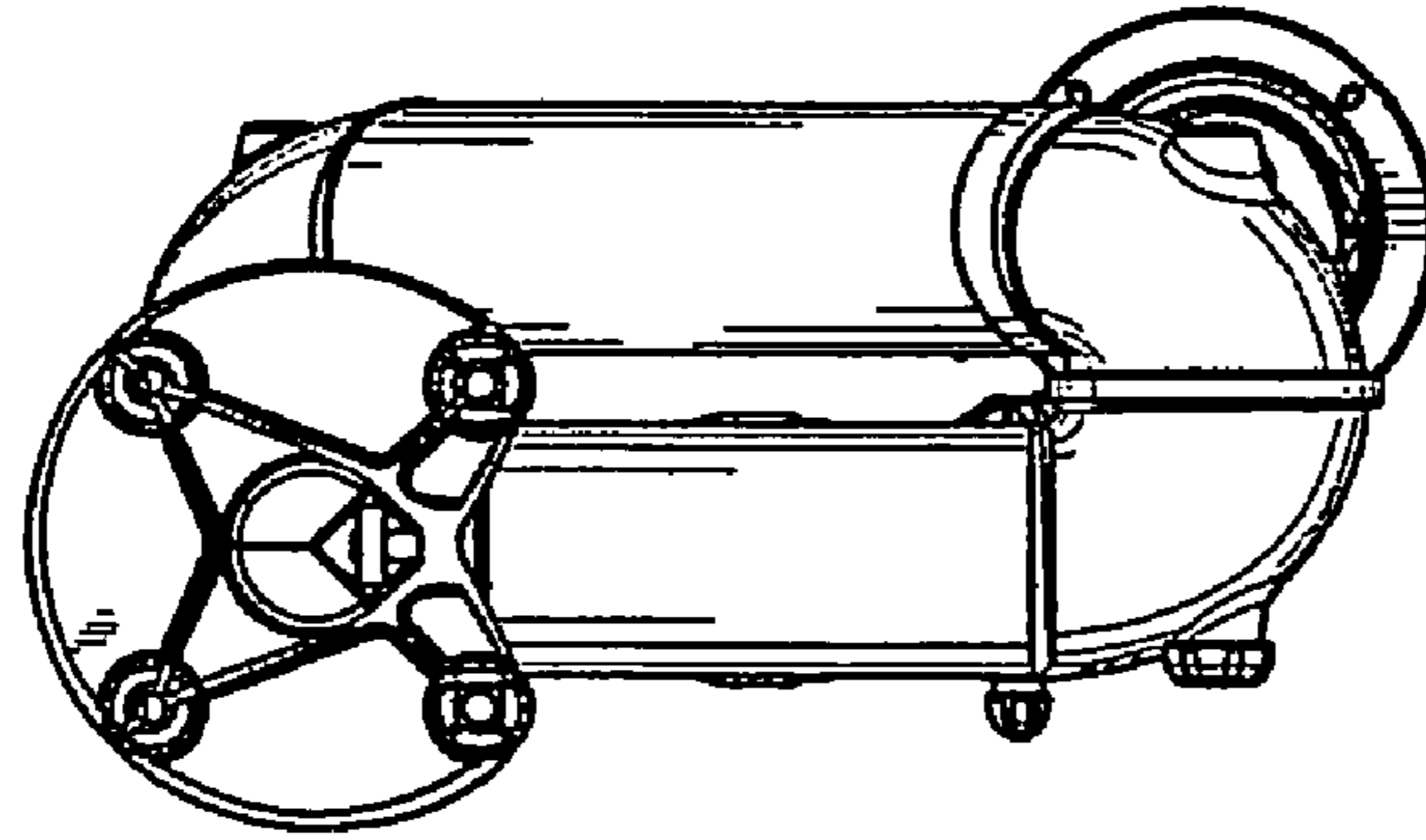


Fig. 7

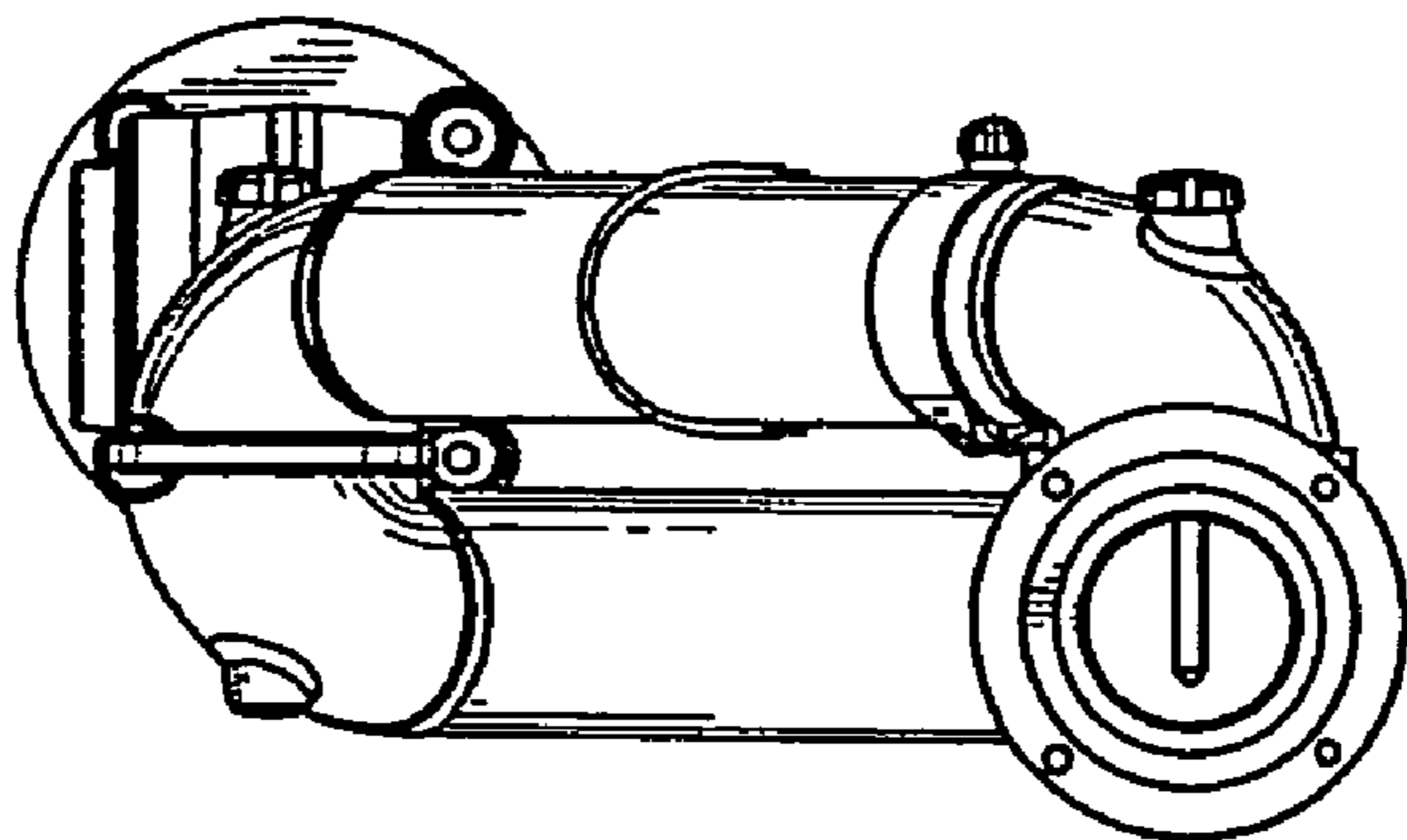


Fig. 8